



# THE DATASHEET OF MCT2SR2VM



## MCT2M, MCT2EM, MCT210M, MCT271M Phototransistor Optocouplers

### Features

- UL recognized (File # E90700, Vol. 2)
- IEC60747-5-2 recognized (File # 102497)
  - Add option V (e.g., MCT2VM)

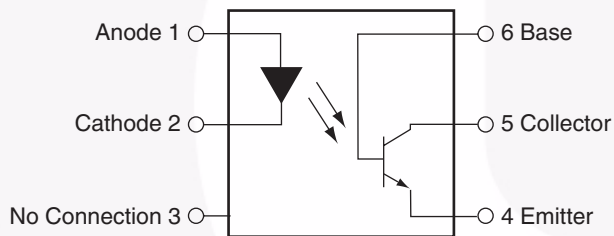
### Applications

- Power supply regulators
- Digital logic inputs
- Microprocessor inputs

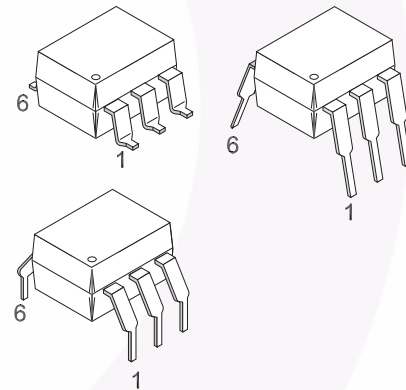
### Description

The MCT2XXM series optoisolators consist of a gallium arsenide infrared emitting diode driving a silicon phototransistor in a 6-pin dual in-line package.

### Schematic



### Package Outlines



## Absolute Maximum Ratings

Stresses exceeding the absolute maximum ratings may damage the device. The device may not function or be operable above the recommended operating conditions and stressing the parts to these levels is not recommended. In addition, extended exposure to stresses above the recommended operating conditions may affect device reliability. The absolute maximum ratings are stress ratings only.

Symbol	Parameter	Value	Units
<b>TOTAL DEVICE</b>			
$T_{STG}$	Storage Temperature	-40 to +150	°C
$T_{OPR}$	Operating Temperature	-40 to +100	°C
$T_{SOL}$	Lead Solder Temperature	260 for 10 sec	°C
$P_D$	Total Device Power Dissipation @ $T_A = 25^\circ\text{C}$ Derate above $25^\circ\text{C}$	250	mW
		2.94	mW/°C
<b>EMITTER</b>			
$I_F$	DC/Average Forward Input Current	60	mA
$V_R$	Reverse Input Voltage	3	V
$I_F(pk)$	Forward Current – Peak (300 $\mu\text{s}$ , 2% Duty Cycle)	3	A
$P_D$	LED Power Dissipation @ $T_A = 25^\circ\text{C}$ Derate above $25^\circ\text{C}$	120	mW
		1.41	mW/°C
<b>DETECTOR</b>			
$I_C$	Collector Current	50	mA
$V_{CEO}$	Collector-Emitter Voltage	30	V
$P_D$	Detector Power Dissipation @ $T_A = 25^\circ\text{C}$ Derate above $25^\circ\text{C}$	150	mW
		1.76	mW/°C

**Electrical Characteristics** ( $T_A = 25^\circ\text{C}$  unless otherwise specified)**Individual Component Characteristics**

Symbol	Parameter	Test Conditions	Device	Min.	Typ.*	Max.	Units
<b>EMITTER</b>							
$V_F$	Input Forward Voltage	$I_F = 20\text{mA}$	MCT2M MCT2EM MCT271M		1.25	1.50	V
		$T_A = 0^\circ\text{C} - 70^\circ\text{C}$ , $I_F = 40\text{mA}$	MCT210M		1.33		
$I_R$	Reverse Leakage Current	$V_R = 3.0\text{V}$	MCT2M MCT2EM MCT271M		0.001	10	$\mu\text{A}$
		$T_A = 0^\circ\text{C} - 70^\circ\text{C}$ , $V_R = 6.0\text{V}$	MCT210M				
<b>DETECTOR</b>							
$BV_{CEO}$	Collector-Emitter Breakdown Voltage	$I_C = 1.0\text{mA}$ , $I_F = 0$	ALL	30	100		V
		$T_A = 0^\circ\text{C} - 70^\circ\text{C}$	MCT210M				
$BV_{CBO}$	Collector-Base Breakdown Voltage	$I_C = 10\mu\text{A}$ , $I_F = 0$	MCT2M MCT2EM MCT271M	70	120		V
		$T_A = 0^\circ\text{C} - 70^\circ\text{C}$	MCT210M	30			
$BV_{ECO}$	Emitter-Collector Breakdown Voltage	$I_E = 100\mu\text{A}$ , $I_F = 0$	MCT2M MCT2EM MCT271M	7	10		V
		$T_A = 0^\circ\text{C} - 70^\circ\text{C}$	MCT210M	6	10		
$I_{CEO}$	Collector-Emitter Dark Current	$V_{CE} = 10\text{V}$ , $I_F = 0$	ALL		1	50	nA
		$V_{CE} = 5\text{V}$ , $T_A = 0^\circ\text{C} - 70^\circ\text{C}$				30	$\mu\text{A}$
$I_{CBO}$	Collector-Base Dark Current	$V_{CB} = 10\text{V}$ , $I_F = 0$	ALL			20	nA
$C_{CE}$	Capacitance	$V_{CE} = 0\text{V}$ , $f = 1\text{MHz}$	ALL		8		pF

\*All typical  $T_A = 25^\circ\text{C}$ **Isolation Characteristics**

Symbol	Parameter	Test Conditions	Min	Typ*	Max	Units
$V_{ISO}$	Input-Output Isolation Voltage	$f = 60\text{Hz}$ , $t = 1 \text{ sec.}$	7500			Vac(pk)
$R_{ISO}$	Isolation Resistance	$V_{I-O} = 500 \text{ VDC}$	$10^{11}$			$\Omega$
$C_{ISO}$	Isolation Capacitance			0.2	2	pF

\*All typicals at  $T_A = 25^\circ\text{C}$

**Electrical Characteristics** (Continued) ( $T_A = 25^\circ\text{C}$  unless otherwise specified)**Transfer Characteristics**

Symbol	Parameter	Test Conditions	Device	Min.	Typ.*	Max.	Unit
<b>DC CHARACTERISTICS</b>							
CTR	Output Collector Current	$T_A = 0^\circ\text{C} - 70^\circ\text{C}$	MCT210M	150			%
		$I_F = 10\text{mA}, V_{CE} = 10\text{V}$	MCT2M MCT2EM	20			
			MCT271M	45		90	
		$I_F = 3.2\text{mA to } 32\text{mA}, V_{CE} = 0.4\text{V}, T_A = 0^\circ\text{C} - 70^\circ\text{C}$	MCT210M	50			
$V_{CE(\text{SAT})}$	Collector-Emitter Saturation Voltage	$I_C = 2\text{mA}, I_F = 16\text{mA}$	MCT2M MCT2EM MCT271M			0.4	V
		$I_C = 16\text{mA}, I_F = 32\text{mA}, T_A = 0^\circ\text{C} - 70^\circ\text{C}$	MCT210M				
<b>AC CHARACTERISTICS</b>							
$t_{\text{on}}$	AC Characteristic Saturated Turn-on Time from 5V to 0.8V	$I_F = 15\text{mA}, V_{CC} = 5\text{V}, R_L = 2\text{k}\Omega, R_B = \text{Open (Fig. 11)}$	MCT2M MCT2EM		1.1		$\mu\text{s}$
		$I_F = 20\text{mA}, V_{CC} = 5\text{V}, R_L = 2\text{k}\Omega, R_B = 100\text{k}\Omega \text{ (Fig. 11)}$	MCT2M MCT2EM		1.3		
$t_{\text{off}}$	Saturated Turn-off Time from SAT to 2.0 V	$I_F = 15\text{mA}, V_{CC} = 5\text{V}, R_L = 2\text{k}\Omega, R_B = \text{Open (Fig. 11)}$	MCT2M MCT2EM		50		$\mu\text{s}$
		$I_F = 20\text{mA}, V_{CC} = 5\text{V}, R_L = 2\text{k}\Omega, R_B = 100\text{k}\Omega \text{ (Fig. 11)}$	MCT2M MCT2EM		20		
$t_{\text{on}}$	Turn-on Time	$I_F = 10\text{mA}, V_{CC} = 10\text{V}, R_L = 100\Omega$	MCT2M MCT2EM		2		$\mu\text{s}$
$t_{\text{off}}$	Turn-off Time	$I_F = 10\text{mA}, V_{CC} = 10\text{V}, R_L = 100\Omega$	MCT2M MCT2EM		2		$\mu\text{s}$
$t_r$	Rise Time	$I_F = 10\text{mA}, V_{CC} = 10\text{V}, R_L = 100\Omega$	MCT2M MCT2EM		2		$\mu\text{s}$
$t_f$	Fall Time	$I_F = 10\text{mA}, V_{CC} = 10\text{V}, R_L = 100\Omega$	MCT2M MCT2EM		1.5		$\mu\text{s}$
$t_{\text{on}}$	Saturated turn-on time	$I_F = 16\text{mA}, R_L = 1.9\text{k}\Omega, V_{CC} = 5\text{V (Fig. 11)}$	MCT271M		1.0		$\mu\text{s}$
$t_{\text{off}}$	Saturated turn-off time (Approximates a typical TTL interface)				48		$\mu\text{s}$
$t_{\text{on}}$	Saturated turn-on time	$I_F = 16\text{mA}, R_L = 4.7\text{k}\Omega, V_{CC} = 5\text{V (Fig. 20)}$	MCT271M		1.0		$\mu\text{s}$
$t_{\text{off}}$	Saturated turn-off time (Approximates a typical low power TTL interface)				98		$\mu\text{s}$
$t_r$	Saturated rise time	$I_F = 16\text{mA}, R_L = 560\Omega, V_{CC} = 5\text{V (Fig. 11, 12)}$	MCT210M		1.0		$\mu\text{s}$
$t_f$	Saturated fall time				11		$\mu\text{s}$
$T_{PD}(\text{HL})$	Saturated propagation delay – HIGH to LOW	$I_F = 16\text{mA}, R_L = 2.7\text{k}\Omega \text{ (Fig. 11, 12)}$	MCT210M		1.0		$\mu\text{s}$
$T_{PD}(\text{LH})$	Saturated propagation delay – LOW to HIGH				50		$\mu\text{s}$
$t_r$	Non-saturated rise time	$I_C = 2\text{mA}, V_{CC} = 5\text{V}, R_L = 100\Omega \text{ (Fig. 11)}$	MCT210M		2		$\mu\text{s}$
$t_f$	Non-saturated fall time				2		$\mu\text{s}$
$t_{\text{on}}$	Non-saturated turn-on time	$I_C = 2\text{mA}, V_{CC} = 5\text{V}, R_L = 100\Omega \text{ (Fig. 20)}$	MCT271M		2	7	$\mu\text{s}$
$t_{\text{off}}$	Non-saturated turn-off time				2	7	$\mu\text{s}$

\*All typicals at  $T_A = 25^\circ\text{C}$

## Typical Performance Curves

Fig. 1 LED Forward Voltage vs. Forward Current

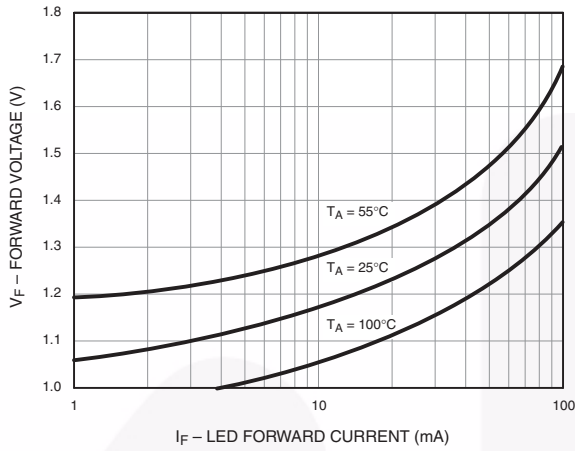


Fig. 2 Normalized CTR vs. Forward Current

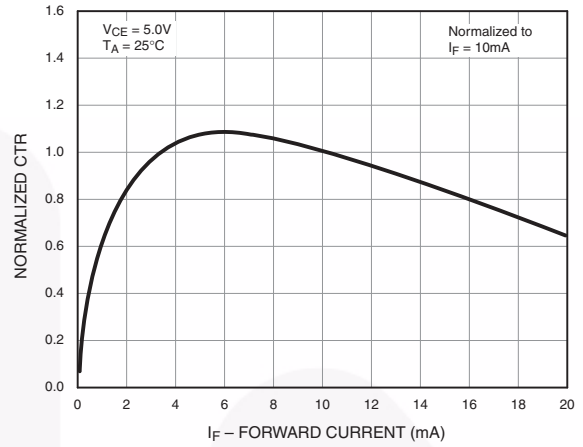


Fig. 3 Normalized CTR vs. Ambient Temperature

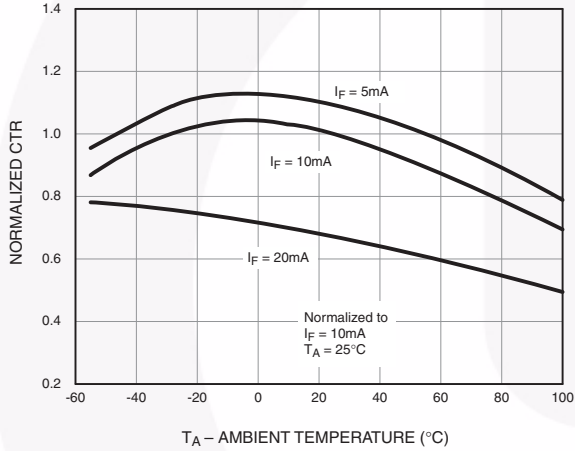


Fig. 4 CTR vs. RBE (Unsaturated)

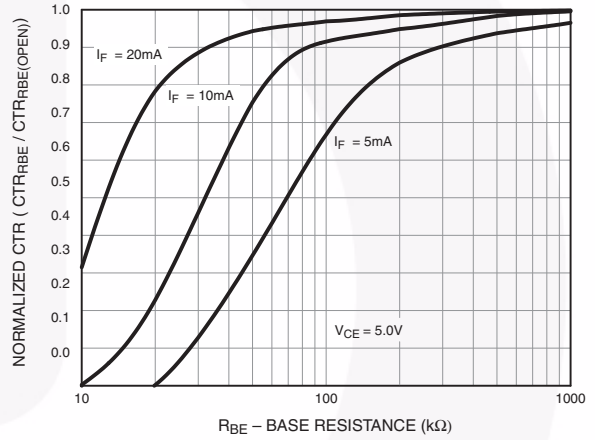


Fig. 5 CTR vs. RBE (Saturated)

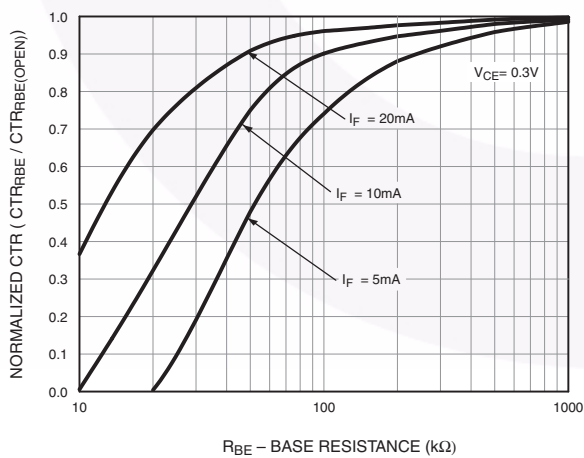
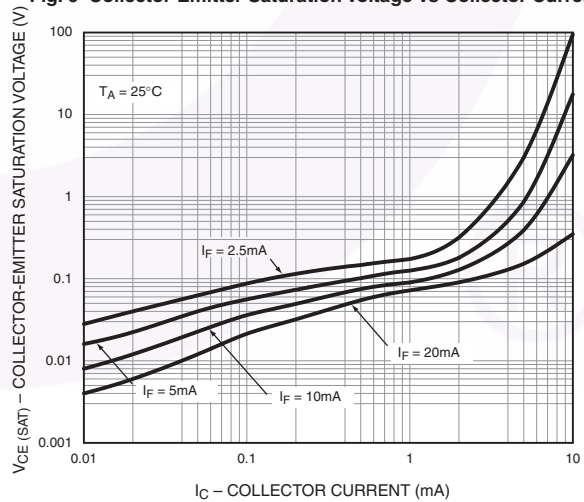


Fig. 6 Collector-Emitter Saturation Voltage vs Collector Current



Typical Performance Curves (Continued)

Fig. 7 Switching Speed vs. Load Resistor

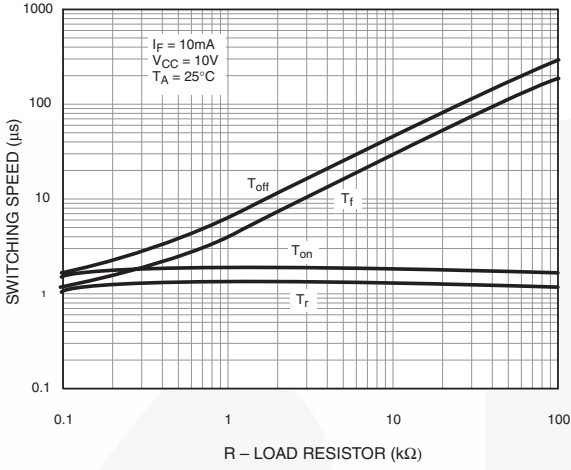


Fig. 8 Normalized  $t_{on}$  vs.  $R_{BE}$

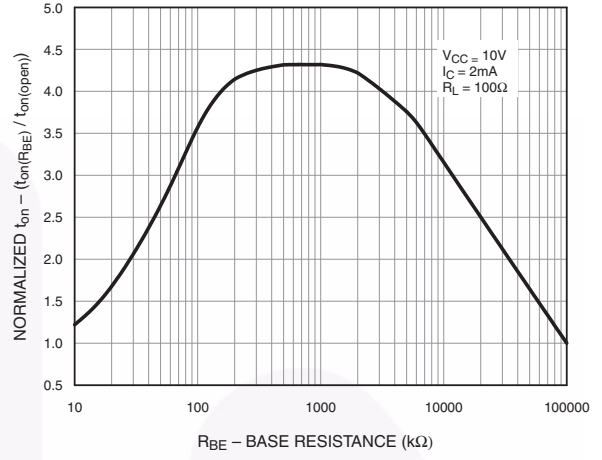


Fig. 9 Normalized  $t_{off}$  vs.  $R_{BE}$

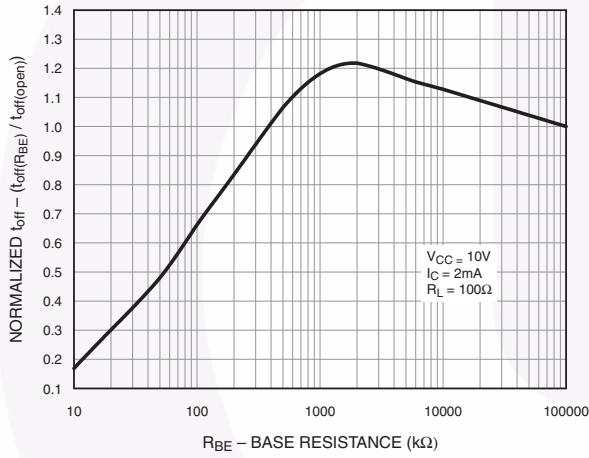
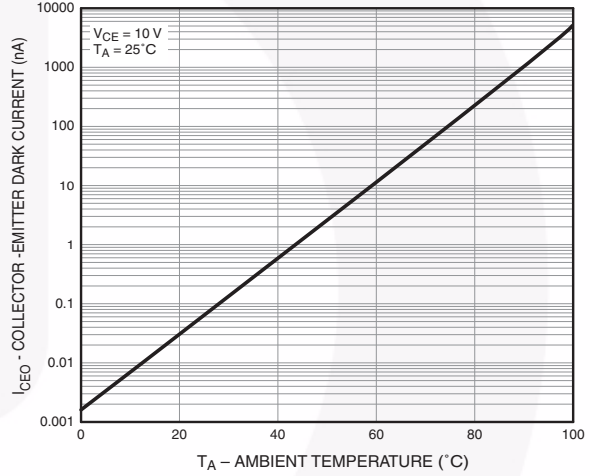


Fig. 10 Dark Current vs. Ambient Temperature



## Typical Electro-Optical Characteristics

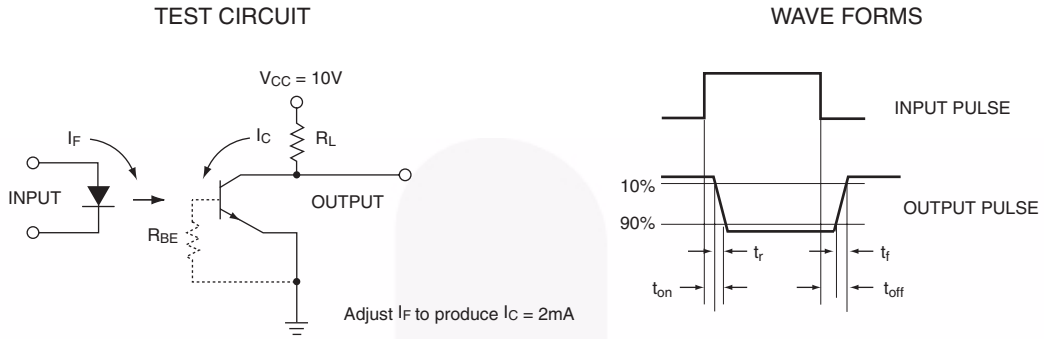


Figure 11. Switching Time Test Circuit and Waveforms

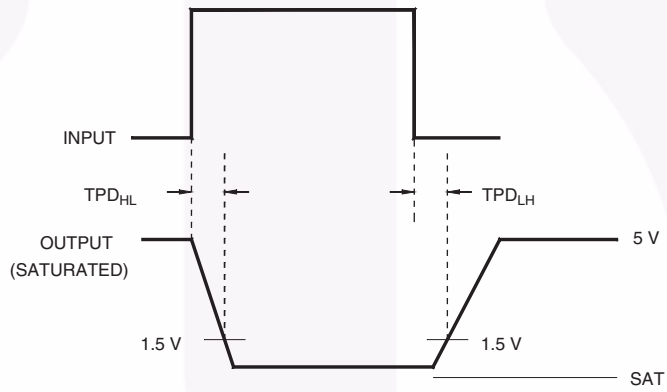
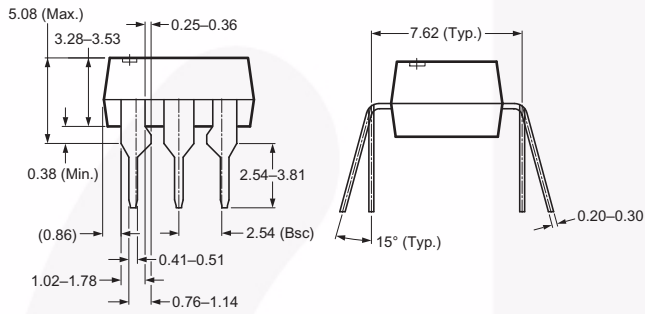
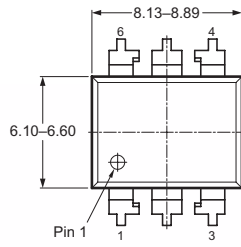


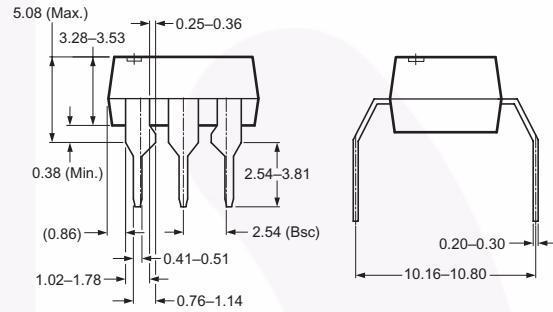
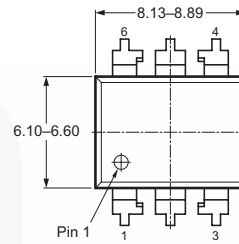
Figure 12. Switching Time Waveforms (MCT210M)

## Package Dimensions

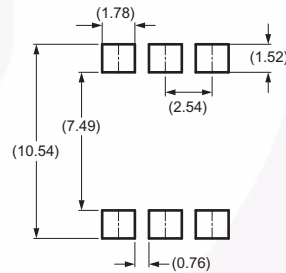
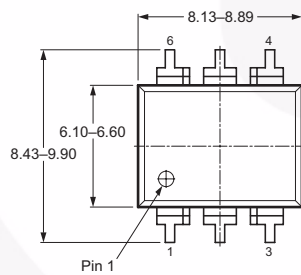
### Through Hole



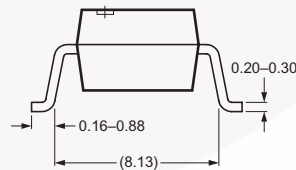
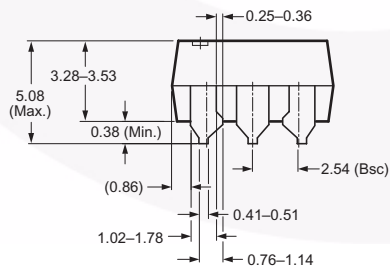
### 0.4" Lead Spacing



### Surface Mount



Recommended Pad Layout

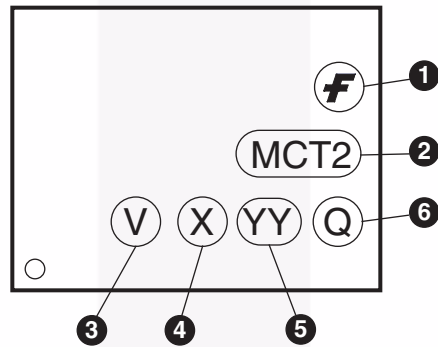


**Note:**  
All dimensions in mm.

### Ordering Information

Option	Order Entry Identifier (Example)	Description
No suffix	MCT2M	Standard Through Hole Device (50 units per tube)
S	MCT2SM	Surface Mount Lead Bend
SR2	MCT2SR2M	Surface Mount; Tape and Reel (1,000 units per reel)
T	MCT2TM	0.4" Lead Spacing
V	MCT2VM	IEC60747-5-2
TV	MCT2TVM	IEC60747-5-2, 0.4" Lead Spacing
SV	MCT2SVM	IEC60747-5-2, Surface Mount
SR2V	MCT2SR2VM	IEC60747-5-2, Surface Mount, Tape and Reel (1,000 units per reel)

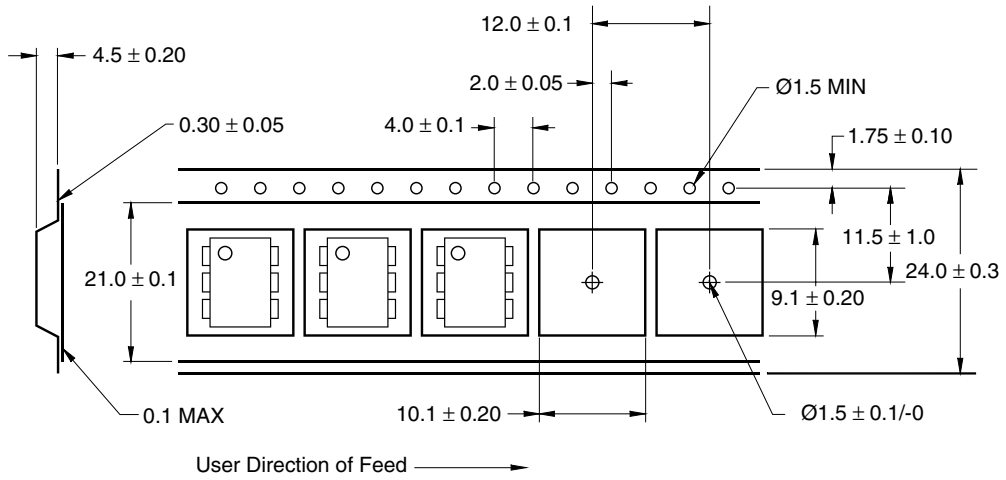
### Marking Information



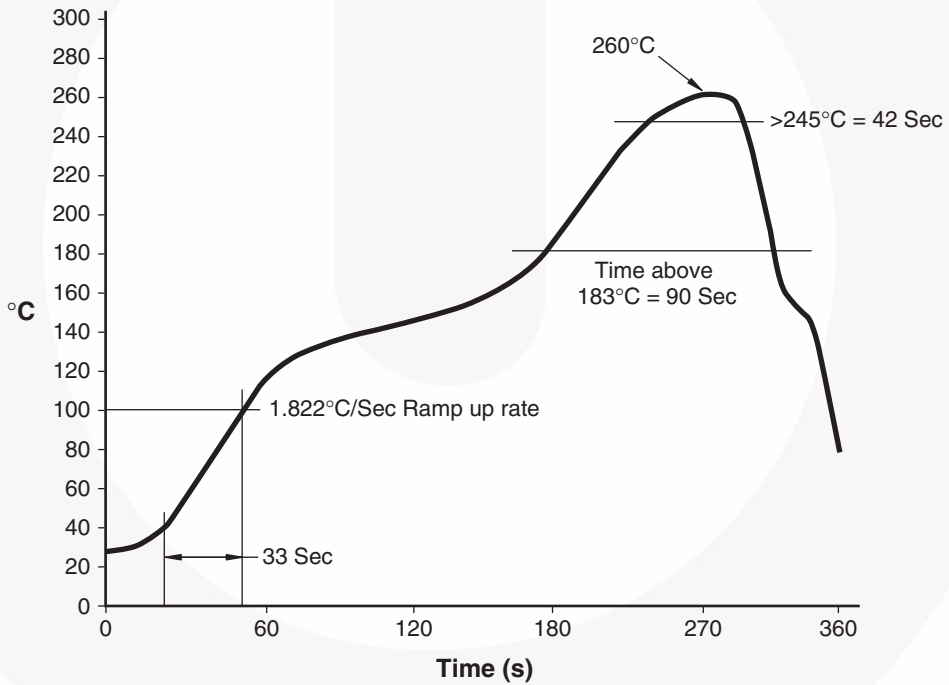
Definitions	
1	Fairchild logo
2	Device number
3	VDE mark (Note: Only appears on parts ordered with VDE option – See order entry table)
4	One digit year code, e.g., '7'
5	Two digit work week ranging from '01' to '53'
6	Assembly package code

\*Note – Parts that do not have the 'V' option (see definition 3 above) that are marked with date code '325' or earlier are marked in portrait format.

### Carrier Tape Specification








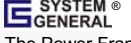
### Reflow Profile





**TRADEMARKS**

The following includes registered and unregistered trademarks and service marks, owned by Fairchild Semiconductor and/or its global subsidiaries, and is not intended to be an exhaustive list of all such trademarks.

- |   |   |   |   |
|---|---|---|---|
| Build it Now™   | FRFET®  | Programmable Active Droop™  | the power franchise   |
| CorePLUS™   | Global Power Resource SM  | QFET®   | TinyBoost™  |
| CorePOWER™  | Green FPS™  | QS™   | TinyBuck™   |
| CROSSVOLT™  | Green FPS™ e-Series™  | Quiet Series™   | TinyLogic®  |
| CTL™  | GTO™  | RapidConfigure™   | TINYOPTO™   |
| Current Transfer Logic™   | IntelliMAX™   |  ™ | TinyPower™  |
| EcoSPARK®   | ISOPLANAR™  | Saving our world, 1mW/W/kW at a time™   | TinyPWM™  |
| EfficientMax™   | MegaBuck™   | SmartMax™   | TinyWire™   |
| EZSWITCH™ *   | MICROCOUPLER™   | SMART START™  | TriFault Detect™  |
|  ™ | MicroFET™   | SPM®  | µSerDes™  |
|  ™ | MicroPak™   | STEALTH™  |  ™ |
| Fairchild®  | MillerDrive™  | SuperFET™   | UHC®  |
| Fairchild Semiconductor®  | MotionMax™  | SuperSOT™-3   | Ultra FRFET™  |
| FACT Quiet Series™  | Motion-SPM™   | SuperSOT™-6   | UnifET™   |
| FACT®   | OPTOLOGIC®  | SuperSOT™-8   | VCX™  |
| FAST®   | OPTOPLANAR®   | SupreMOS™   | VisualMax™  |
| FastvCore™  |  ™ | SyncFET™  | XS™   |
| FlashWriter® *  | PDP SPM™  |  ™ |   |
| FPS™  | Power-SPM™  | The Power Franchise®  |   |
| F-PFS™  | PowerTrench®  |   |   |
|   | PowerXS™  |   |   |

\* EZSWITCH™ and FlashWriter® are trademarks of System General Corporation, used under license by Fairchild Semiconductor.

**DISCLAIMER**

FAIRCHILD SEMICONDUCTOR RESERVES THE RIGHT TO MAKE CHANGES WITHOUT FURTHER NOTICE TO ANY PRODUCTS HEREIN TO IMPROVE RELIABILITY, FUNCTION, OR DESIGN. FAIRCHILD DOES NOT ASSUME ANY LIABILITY ARISING OUT OF THE APPLICATION OR USE OF ANY PRODUCT OR CIRCUIT DESCRIBED HEREIN; NEITHER DOES IT CONVEY ANY LICENSE UNDER ITS PATENT RIGHTS, NOR THE RIGHTS OF OTHERS. THESE SPECIFICATIONS DO NOT EXPAND THE TERMS OF FAIRCHILD'S WORLDWIDE TERMS AND CONDITIONS, SPECIFICALLY THE WARRANTY THEREIN, WHICH COVERS THESE PRODUCTS.

**LIFE SUPPORT POLICY**

FAIRCHILD'S PRODUCTS ARE NOT AUTHORIZED FOR USE AS CRITICAL COMPONENTS IN LIFE SUPPORT DEVICES OR SYSTEMS WITHOUT THE EXPRESS WRITTEN APPROVAL OF FAIRCHILD SEMICONDUCTOR CORPORATION.

As used herein:

- Life support devices or systems are devices or systems which, (a) are intended for surgical implant into the body or (b) support or sustain life, and (c) whose failure to perform when properly used in accordance with instructions for use provided in the labeling, can be reasonably expected to result in a significant injury of the user.
- A critical component in any component of a life support, device, or system whose failure to perform can be reasonably expected to cause the failure of the life support device or system, or to affect its safety or effectiveness.

**ANTI-COUNTERFEITING POLICY**

Fairchild Semiconductor Corporation's Anti-Counterfeiting Policy. Fairchild's Anti-Counterfeiting Policy is also stated on our external website, [www.fairchildsemi.com](http://www.fairchildsemi.com), under Sales Support.

Counterfeiting of semiconductor parts is a growing problem in the industry. All manufacturers of semiconductor products are experiencing counterfeiting of their parts. Customers who inadvertently purchase counterfeit parts experience many problems such as loss of brand reputation, substandard performance, failed applications, and increased cost of production and manufacturing delays. Fairchild is taking strong measures to protect ourselves and our customers from the proliferation of counterfeit parts. Fairchild strongly encourages customers to purchase Fairchild parts either directly from Fairchild or from Authorized Fairchild Distributors who are listed by country on our web page cited above. Products customers buy either from Fairchild directly or from Authorized Fairchild Distributors are genuine parts, have full traceability, meet Fairchild's quality standards for handling and storage and provide access to Fairchild's full range of up-to-date technical and product information. Fairchild and our Authorized Distributors will stand behind all warranties and will appropriately address any warranty issues that may arise. Fairchild will not provide any warranty coverage or other assistance for parts bought from Unauthorized Sources. Fairchild is committed to combat this global problem and encourage our customers to do their part in stopping this practice by buying direct or from authorized distributors.

**PRODUCT STATUS DEFINITIONS**

**Definition of Terms**

Datasheet Identification	Product Status	Definition
Advance Information	Formative / In Design	Datasheet contains the design specifications for product development. Specifications may change in any manner without notice.
Preliminary	First Production	Datasheet contains preliminary data; supplementary data will be published at a later date. Fairchild Semiconductor reserves the right to make changes at any time without notice to improve design.
No Identification Needed	Full Production	Datasheet contains final specifications. Fairchild Semiconductor reserves the right to make changes at any time without notice to improve the design.
Obsolete	Not In Production	Datasheet contains specifications on a product that is discontinued by Fairchild Semiconductor. The datasheet is for reference information only.

Rev. 138

## Looking for pricing, stock, or lifecycle information?

Click below to explore more details on WIN SOURCE:

- ⊖ [View MCT2SR2VM on WIN SOURCE](#)
- ⊖ [Fairchild/ON Semiconductor Information](#)

## Optimize Your Supply Chain with WIN SOURCE Solutions

- ✓ Global Sourcing Solution
- ✓ Obsolete Management
- ✓ Cost Control Management
- ✓ Shortage Management
- ✓ Alternative Solution
- ✓ Excess Inventory Management