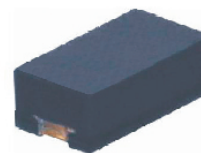




# THE DATASHEET OF CPDU24V



## CPDU Series-HF RoHS Device Halogen Free

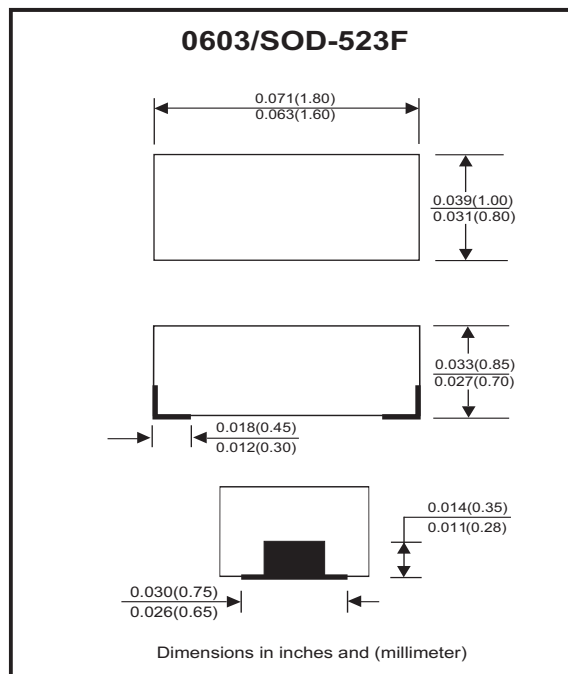


### Features

- Bi-directional ESD protection.
- Surface mount package.
- High component density.

### Mechanical data

- Case: 0603/SOD-523F standard package, molded plastic.
- Terminals: Gold plated, solderable per MIL-STD-750, method 2026.
- Marking Code:
  - CPDU5V0-HF: E05
  - CPDU12V-HF: E12
  - CPDU24V-HF: E24
- Mounting position: Any.
- Weight: 0.003 grams(approx.).



### Circuit Diagram



### Electrical Characteristics (at TA=25°C unless otherwise noted)

Parameter	Conditions	Symbol	Min	Typ	Max	Unit
Diode breakdown voltage	CPDU5V0-HF CPDU12V-HF CPDU24V-HF I <sub>R</sub> = 1mA	V <sub>BD</sub>	5.1 13 25	7.0 17 28		V
Leakage current	CPDU5V0-HF CPDU12V-HF CPDU24V-HF V <sub>R</sub> = 5V V <sub>R</sub> = 12V V <sub>R</sub> = 24V	I <sub>L</sub>		0.1	2.0	uA
Junction capacitance	CPDU5V0-HF CPDU12V-HF CPDU24V-HF V <sub>R</sub> = 0V, f = 1MHz	C <sub>T</sub>		15 12 10	20 -	pF
ESD capability	CPDU Series-HF IEC 61000-4-2(air) IEC 61000-4-2(contact)	ESD			16 8	kV
Clamping voltage	CPDU5V0-HF CPDU12V-HF CPDU24V-HF I <sub>PP</sub> = 1A, T <sub>P</sub> = 8/20us I <sub>PP</sub> = 5A, T <sub>P</sub> = 8/20us I <sub>PP</sub> = 1A, T <sub>P</sub> = 8/20us I <sub>PP</sub> = 1A, T <sub>P</sub> = 8/20us	V <sub>C</sub>			10 15 25 47	V
Peak pulse power	CPDU5V0-HF CPDU12V-HF CPDU24V-HF T <sub>P</sub> = 8/20us	P <sub>PP</sub>			75 25 47	W
Operation temperature range	CPDU Series-HF	T <sub>j</sub>	-40		125	°C
Storage temperature range	CPDU Series-HF	T <sub>STG</sub>	-55		150	°C

Company reserves the right to improve product design, functions and reliability without notice.

REV:F

## RATING AND CHARACTERISTIC CURVES (CPDU Series-HF)

Fig.1 - Peak Pulse Current Wave  
Form Acc. IEC 61000-4-5

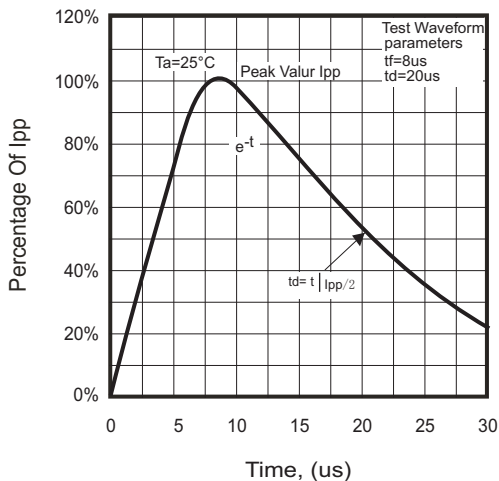


Fig.2-1 - Reverse Characteristics

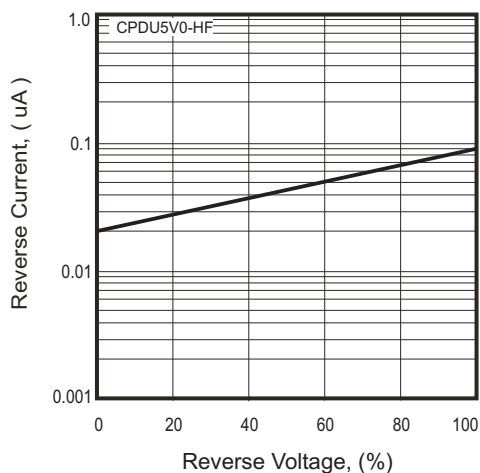


Fig.2-2 - Reverse Characteristics

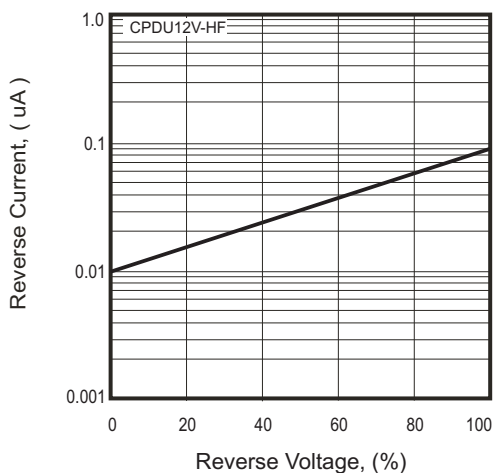


Fig.2-3 - Reverse Characteristics

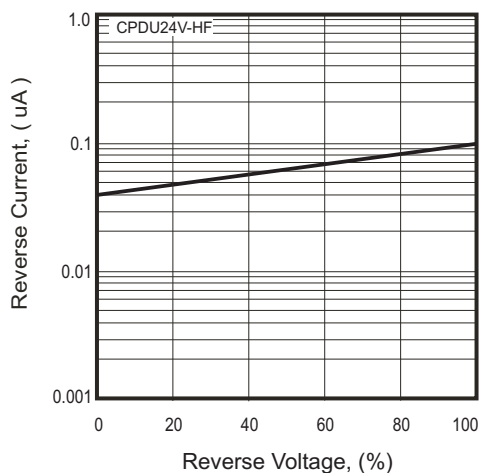


Fig.3 - Capacitance Between  
Terminals Characteristics

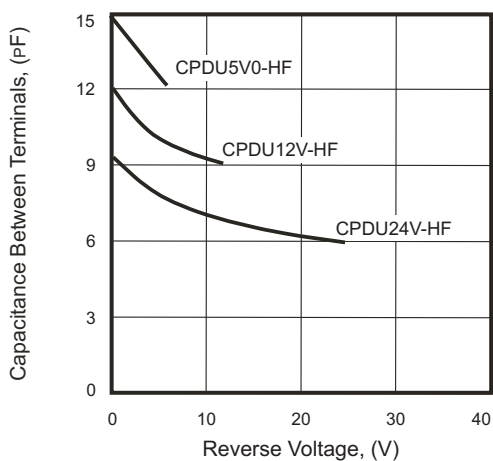
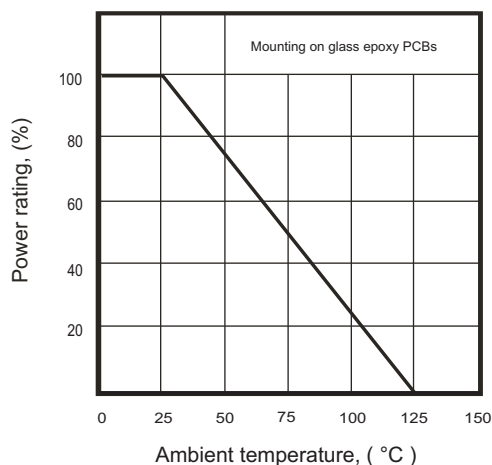
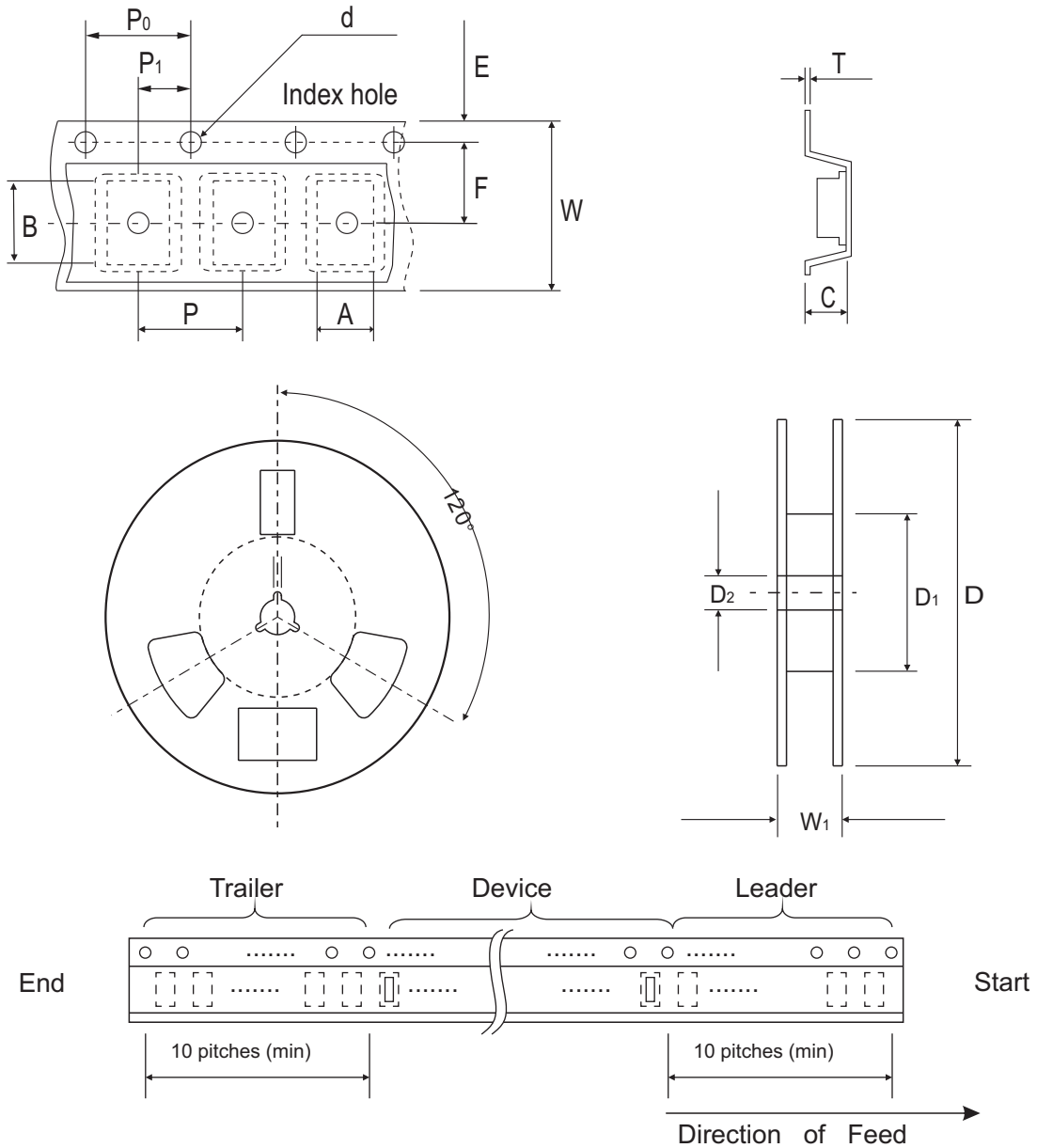


Fig. 4 - Power rating derating curve



Company reserves the right to improve product design, functions and reliability without notice.

## Reel Taping Specification



0603 (SOD-523)	SYMBOL	A	B	C	d	D	D <sub>1</sub>	D <sub>2</sub>
	(mm)	1.00 ± 0.10	1.85 ± 0.10	1.00 ± 0.10	1.55 ± 0.05	178 ± 1.00	60.0 MIN.	13.0 ± 0.20
	(inch)	0.039 ± 0.004	0.073 ± 0.004	0.039 ± 0.004	0.061 ± 0.002	7.008 ± 0.04	2.362 MIN.	0.512 ± 0.008

0603 (SOD-523)	SYMBOL	E	F	P	P <sub>0</sub>	P <sub>1</sub>	T	W	W <sub>1</sub>
	(mm)	1.75 ± 0.10	3.50 ± 0.05	4.00 ± 0.10	4.00 ± 0.10	2.00 ± 0.05	0.23 ± 0.05	8.00 ± 0.20	13.50 MAX.
	(inch)	0.069 ± 0.004	0.138 ± 0.002	0.157 ± 0.004	0.157 ± 0.004	0.079 ± 0.002	0.009 ± 0.002	0.315 ± 0.008	0.531 MAX.

Company reserves the right to improve product design , functions and reliability without notice.

REV:F

## Marking Code

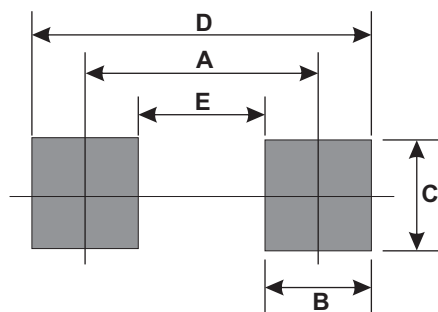
Part Number	Marking Code
CPDU5V0-HF	E05
CPDU12V-HF	E12
CPDU24V-HF	E24



xxx = Product type marking code

## Suggested PAD Layout

SIZE	0603/SOD-523F	
	(mm)	(inch)
A	1.70	0.067
B	0.60	0.024
C	0.80	0.031
D	2.30	0.091
E	1.10	0.043



## Standard Packaging

Case Type	Qty Per Reel	Reel Size
	(Pcs)	(inch)
0603/SOD-523F	4,000	7

## Looking for pricing, stock, or lifecycle information?

Click below to explore more details on WIN SOURCE:

- [View CPDU24V on WIN SOURCE](#)
- [Comchip Technology Information](#)

## Optimize Your Supply Chain with WIN SOURCE Solutions

- ✓ Global Sourcing Solution
- ✓ Obsolete Management
- ✓ Cost Control Management
- ✓ Shortage Management
- ✓ Alternative Solution
- ✓ Excess Inventory Management