



±15kV ESD-Protected, Low-Voltage, Quad, SPST, CMOS Analog Switches

General Description

The MAX4620/MAX4630/MAX4640 low-voltage, high-ESD-protected, quad, single-pole/single-throw (SPST) analog switches are pin-compatible replacements for the industry-standard 74HC4066 analog switch. The normally open (NO) and normally closed (NC) pins are protected against ±15kV electrostatic discharge (ESD) without latchup or damage. Each switch can handle Rail-to-Rail® analog signals. The off-leakage current is 0.5nA at +25°C. These analog switches are suitable for low-distortion audio applications and are the preferred solution over mechanical relays in automated test equipment or applications where current switching is required. They have low power requirements (0.5μW), require less board space, and are more reliable than mechanical relays. Each device is controlled by TTL/CMOS input voltage levels and is bilateral.

These switches feature guaranteed operation from a +2V to +12V single supply, making them ideal for use in battery-powered applications. The on-resistance is 70Ω max, matched between switches to 0.5Ω (typ), and flat (2Ω typ) over the specified signal range.

The MAX4620 has four NO switches, the MAX4630 has four NC switches, and the MAX4640 has two NO and two NC switches. These devices are available in 14-pin TSSOP, SO, and DIP packages.

Applications

Battery-Powered Systems
 Audio and Video Signal Routing
 Low-Voltage Data-Acquisition Systems
 Sample-and-Hold Circuits
 Communications Circuits
 Relay Replacement

Ordering Information

| PART | TEMP. RANGE | PIN-PACKAGE |
|------------|----------------|-------------|
| MAX4620EUD | -40°C to +85°C | 14 TSSOP |
| MAX4620ESD | -40°C to +85°C | 14 SO |
| MAX4620EPD | -40°C to +85°C | 14 DIP |
| MAX4630EUD | -40°C to +85°C | 14 TSSOP |
| MAX4630ESD | -40°C to +85°C | 14 SO |
| MAX4630EPD | -40°C to +85°C | 14 DIP |

Ordering information continued at end of data sheet.

Rail-to-Rail is a registered trademark of Nippon Motorola, Ltd.



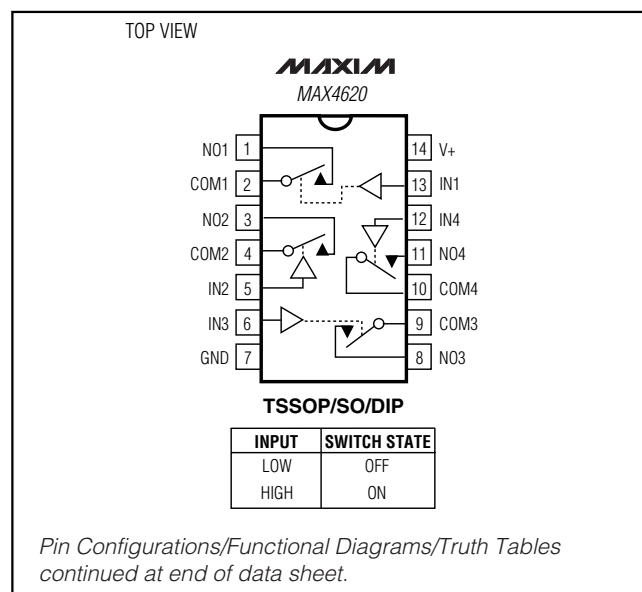
Maxim Integrated Products 1

For free samples and the latest literature, visit www.maxim-ic.com or phone 1-800-998-8800.
 For small orders, phone 1-800-835-8769.

Features

- ◆ ESD-Protected NO/NC Pins
 - ±15kV Human Body Model
 - ±15kV IEC 1000-4-2 Air-Gap Discharge
 - ±8kV IEC 1000-4-2 Contact Discharge
- ◆ Pin Compatible with Industry-Standard 74HC4066, MAX4066, MAX4610/MAX4611/MAX4612
- ◆ Guaranteed On-Resistance
 - 70Ω (max) at 5V
 - 120Ω (max) at 3V
- ◆ On-Resistance Flatness
 - 2Ω (typ) at 5V
 - 6Ω (typ) at 3V
- ◆ On-Resistance Matching
 - 0.5Ω (typ) at 5V
 - 0.6Ω (typ) at 3V
- ◆ Guaranteed 0.5nA Leakage Current at T_A = +25°C
- ◆ +2V to +12V Single-Supply Voltage
- ◆ TTL/CMOS-Logic Compatible
- ◆ Low Distortion: 0.015%
- ◆ -3dB Bandwidth: >300MHz
- ◆ Rail-to-Rail Signal Range

Pin Configurations/Functional Diagrams/Truth Tables



MAX4620/MAX4630/MAX4640

±15kV ESD-Protected, Low-Voltage, Quad, SPST, CMOS Analog Switches

ABSOLUTE MAXIMUM RATINGS

| | |
|----------------------------------------------------------------------------------------------------|----------------------|
| V+ to GND | -0.3V to +13V |
| IN ₋ , COM ₋ , NO ₋ , NC ₋ to GND (Note 1) | -0.3V to (V+ + 0.3V) |
| Continuous Current (NO ₋ , NC ₋ , COM ₋) | ±10mA |
| Peak Current (NO ₋ , NC ₋ , COM ₋ , pulsed at 1ms 10% duty cycle) | ±30mA |
| ESD Protection per Method IEC 1000-4-2 (NO ₋ , NC ₋) | |
| Air-Gap Discharge | ±15kV |
| Contact Discharge | ±8kV |
| ESD Protection per Method 3015.7 | |
| V+, GND, IN ₋ , COM ₋ | ±2.5kV |
| NO ₋ , NC ₋ | ±15kV |

| | |
|-------------------------------------------------------|-----------------|
| Continuous Power Dissipation (T _A = +70°C) | |
| 14-Pin TSSOP (derate 6.3mW/°C above +70°C) | 571mW |
| 14-Pin DIP (derate 10mW/°C above +70°C) | 800mW |
| 14-Pin SO (derate 8mW/°C above +70°C) | 640mW |
| Operating Temperature Ranges | |
| MAX46_E | -40°C to +85°C |
| Storage Temperature Range | -65°C to +150°C |
| Maximum Die Temperature | +150°C |
| Lead Temperature (soldering, 10s) | +300°C |

Note 1: Signals on NO₋, NC₋, COM₋, or IN₋ exceeding V+ or GND are clamped by internal diodes. Limit forward current to maximum current rating.

Stresses beyond those listed under "Absolute Maximum Ratings" may cause permanent damage to the device. These are stress ratings only, and functional operation of the device at these or any other conditions beyond those indicated in the operational sections of the specifications is not implied. Exposure to absolute maximum rating conditions for extended periods may affect device reliability.

ELECTRICAL CHARACTERISTICS—SINGLE +5V SUPPLY

(V+ = +4.5V to +5.5V, V_{IH} = 2.4V, V_{IL} = 0.8V, T_A = T_{MIN} to T_{MAX}, unless otherwise specified. Typical values are at V+ = +5V, T_A = +25°C.) (Note 2)

| PARAMETER | SYMBOL | CONDITIONS | MIN | TYP | MAX | UNITS | |
|--------------------------------------------------------------------|---------------------------------------------------------------|-----------------------------------------------------------------------------------------------------|-------------------------------------------------------|------|------|-------|----|
| ANALOG SWITCH | | | | | | | |
| Input Voltage Range | V _{COM-} , V _{NO-} , V _{NC-} | | 0 | | V+ | V | |
| On-Resistance | R _{ON} | V+ = 4.5V, I _{COM-} = 1mA, V _{NO-} or V _{NC-} = 3.5V | T _A = +25°C | 45 | 70 | Ω | |
| | | | T _A = T _{MIN} to T _{MAX} | | 75 | | |
| On-Resistance Match Between Channels (Note 3) | ΔR _{ON} | V+ = 4.5V, I _{COM-} = 1mA, V _{NO-} or V _{NC-} = 3.5V | T _A = +25°C | 0.5 | 2 | Ω | |
| | | | T _A = T _{MIN} to T _{MAX} | | 3 | | |
| On-Resistance Flatness (Note 4) | R _{FLAT(ON)} | V+ = 4.5V; I _{COM-} = 1mA; V _{NO-} or V _{NC-} = 1V, 2.25V, 3.5V | T _A = +25°C | 2 | 4 | Ω | |
| | | | T _A = T _{MIN} to T _{MAX} | | 5 | | |
| Off-Leakage Current (NO ₋ or NC ₋) (Note 5) | I _{NO-} , I _{NC-} | V+ = 5.5V; V _{COM-} = 1V, 4.5V; V _{NO-} or V _{NC-} = 4.5V, 1V | T _A = +25°C | -0.5 | 0.01 | 0.5 | nA |
| | | | T _A = T _{MIN} to T _{MAX} | -5 | | 5 | |

±15kV ESD-Protected, Low-Voltage, Quad, SPST, CMOS Analog Switches

MAX4620/MAX4630/MAX4640

ELECTRICAL CHARACTERISTICS—SINGLE +5V SUPPLY (continued)

(V₊ = +4.5V to +5.5V, V_{IH} = 2.4V, V_{IL} = 0.8V, T_A = T_{MIN} to T_{MAX}, unless otherwise specified. Typical values are at V₊ = +5V, T_A = +25°C.) (Note 2)

| PARAMETER | SYMBOL | CONDITIONS | MIN | TYP | MAX | UNITS | |
|---------------------------------------|-----------------------|----------------------------------------------------------------------------------------------------------------------------|-----------------------------------------------------------------|------|------|-------|----|
| ANALOG SWITCH | | | | | | | |
| COM_ Off-Leakage Current (Note 5) | I _{COM(OFF)} | V ₊ = 5.5V; V _{COM_} = 1V, 4.5V; V _{NO_} or V _{NC_} = 4.5V, 1V | T _A = +25°C | -0.5 | 0.01 | 0.5 | nA |
| | | | T _A = T _{MIN} to T _{MAX} | -5 | | 5 | |
| COM_ On-Leakage Current (Note 5) | I _{COM(ON)} | V ₊ = 5.5V; V _{COM_} = 1V, 4.5V; V _{NO_} or V _{NC_} = 1V, 4.5V, or floating | T _A = +25°C | -1 | 0.02 | 1 | nA |
| | | | T _A = T _{MIN} to T _{MAX} | -10 | | 10 | |
| LOGIC INPUT | | | | | | | |
| IN_ Input High | V _{IH} | | 2.4 | | | V | |
| IN_ Input Low | V _{IL} | | | | 0.8 | V | |
| Logic Input Leakage Current | I _{IN} | V _{IN} = 0 or V ₊ | -1 | | 1 | μA | |
| SWITCH DYNAMIC CHARACTERISTICS | | | | | | | |
| Turn-On Time | t _{ON} | V _{COM_} = 3V, R _L = 300Ω, C _L = 35pF, Figure 1 | T _A = +25°C | 90 | 150 | ns | |
| | | | T _A = T _{MIN} to T _{MAX} | | 180 | | |
| Turn-Off Time | t _{OFF} | V _{COM_} = 3V, C _L = 35pF, R _L = 300Ω, Figure 1 | T _A = +25°C | 50 | 80 | ns | |
| | | | T _A = T _{MIN} to T _{MAX} | | 100 | | |
| Break-Before-Make (MAX4640 only) | | V _{COM_} = 3V, R _L = 300Ω, C _L = 35pF | T _A = +25°C | 5 | 45 | ns | |
| | | | T _A = T _{MIN} to T _{MAX} | 4 | | | |
| On-Channel Bandwidth -3dB | BW | Signal = 0dBm, R _{IN} = R _{OUT} = 50Ω, C _L = 5pF, Figure 2 | | 300 | | MHz | |
| Charge Injection | Q | V _{GEN} = 2V, C _L = 1.0nF, R _{GEN} = 0, Figure 4 | | 5 | | pC | |
| NO_ or NC_ On-Capacitance | C _{OFF} | V _{NO_} = V _{NC_} = GND, f = 1MHz, Figure 3 | | 20 | | pF | |
| COM_ Off-Capacitance | C _{COM(OFF)} | V _{COM_} = GND, f = 1MHz, Figure 3 | | 12 | | pF | |
| COM_ On-Capacitance | C _{COM(ON)} | V _{COM_} = V _{NO_} , V _{NC_} = GND, f = 1MHz, Figure 3 | | 20 | | pF | |
| Off-Isolation (Note 6) | V _{ISO} | R _L = 50Ω, C _L = 5pF, f = 1MHz, Figure 2 | | -75 | | dB | |
| | | | R _L = 50Ω, C _L = 5pF, f = 10MHz, Figure 2 | -45 | | | |

±15kV ESD-Protected, Low-Voltage, Quad, SPST, CMOS Analog Switches

ELECTRICAL CHARACTERISTICS—SINGLE +5V SUPPLY (continued)

(V₊ = +4.5V to +5.5V, V_{IH} = 2.4V, V_{IL} = 0.8V, T_A = T_{MIN} to T_{MAX}, unless otherwise specified. Typical values are at V₊ = +5V, T_A = +25°C.) (Note 2)

| PARAMETER | SYMBOL | CONDITIONS | MIN | TYP | MAX | UNITS |
|--------------------------------------------------------|-----------------|-----------------------------------------------------------------|-------------------------------------------------------|-------|-----|-------|
| Crosstalk (Note 7) | V _{CT} | R _L = 50Ω, C _L = 5pF, f = 1MHz, Figure 5 | | -90 | | dB |
| | | R _L = 50Ω, C _L = 5pF, f = 10MHz, Figure 5 | | -70 | | |
| Total Harmonic Distortion | THD | R _L = 600Ω, f = 20Hz to 20kHz | | 0.015 | | % |
| ESD Silicon-Controlled Rectifier (SCR) Holding Current | I _H | | | 110 | | mA |
| ESD SCR Holding Voltage | V _H | | | 3 | | V |
| POWER SUPPLY | | | | | | |
| Power-Supply Range | V ₊ | | 2 | | 12 | V |
| Positive Supply Current | I ₊ | V ₊ = 5.5V, V _{IN} = 0 or V ₊ | T _A = +25°C | | 1 | μA |
| | | | T _A = T _{MIN} to T _{MAX} | | 10 | |

ELECTRICAL CHARACTERISTICS—SINGLE +3V SUPPLY

(V₊ = +2.7V to +3.6V, V_{IH} = 2.0V, V_{IL} = 0.6V, T_A = T_{MIN} to T_{MAX}, unless otherwise specified. Typical values are at T_A = +25°C.) (Note 2)

| PARAMETER | SYMBOL | CONDITIONS | MIN | TYP | MAX | UNITS |
|---------------------------------------------------|---------------------------------------------------------------|-----------------------------------------------------------------------------------------------------------------|-------------------------------------------------------|-----|----------------|-------|
| ANALOG SWITCH | | | | | | |
| Input Voltage Range | V _{COM_} , V _{NO_} , V _{NC_} | | 0 | | V ₊ | V |
| On-Resistance | R _{ON} | V ₊ = 2.7V, I _{COM_} = 1mA, V _{NO_} or V _{NC_} = 1.5V | T _A = +25°C | 70 | 120 | Ω |
| | | | T _A = T _{MIN} to T _{MAX} | | 150 | |
| On-Resistance Match Between Channels (Notes 3, 8) | ΔR _{ON} | V ₊ = 2.7V, I _{COM_} = 1mA, V _{NO_} or V _{NC_} = 1.5V | T _A = +25°C | 0.6 | 3 | Ω |
| | | | T _A = T _{MIN} to T _{MAX} | | 4 | |
| On-Resistance Flatness (Notes 4, 8) | R _{FLAT(ON)} | V ₊ = 2.7; I _{COM_} = 1mA; V _{NO_} or V _{NC_} = 0.5V, 1.5V, 2.2V | T _A = +25°C | 6 | 12 | Ω |
| | | | T _A = T _{MIN} to T _{MAX} | | 15 | |
| LOGIC INPUT | | | | | | |
| IN_ Input High | V _{IH} | | 2.0 | | | V |
| IN_ Input Low | V _{IL} | | | | 0.6 | V |
| Logic Input Leakage Current | I _{IN} | V _{IN} = 0 or V ₊ | -1 | | 1 | μA |

±15kV ESD-Protected, Low-Voltage, Quad, SPST, CMOS Analog Switches

ELECTRICAL CHARACTERISTICS—SINGLE +3V SUPPLY (continued)

(V+ = +2.7V to +3.6V, V_{IH} = 2.0V, V_{IL} = 0.6V, T_A = T_{MIN} to T_{MAX}, unless otherwise specified. Typical values are at T_A = +25°C.) (Note

| PARAMETER | SYMBOL | CONDITIONS | MIN | TYP | MAX | UNITS |
|---------------------------------------|------------------|-------------------------------------------------------------------------------------------|-------------------------------------------------------|-----|-----|-------|
| SWITCH DYNAMIC CHARACTERISTICS | | | | | | |
| Turn-On Time | t _{ON} | V _{COML} = 1.5V, R _L = 300Ω, C _L = 35pF, Figure 1 | T _A = +25°C | 150 | 250 | ns |
| | | | T _A = T _{MIN} to T _{MAX} | | 300 | |
| Turn-Off Time | t _{OFF} | V _{COML} = 1.5V, R _L = 300Ω, C _L = 35pF, Figure 1 | T _A = +25°C | 60 | 100 | ns |
| | | | T _A = T _{MIN} to T _{MAX} | | 150 | |
| Break-Before-Make (MAX4640 only) | | V _{COML} = 1.5V, R _L = 300Ω, C _L = 35pF | T _A = +25°C | 5 | | ns |
| | | | T _A = T _{MIN} to T _{MAX} | 4 | | |
| Charge Injection | Q | V _{GEN} = 1.5V, C _L = 1.0nF, R _{GEN} = 0, Figure 4 | | 5 | | pC |
| ESD SCR Holding Current | I _H | | | 110 | | mA |
| ESD SCR Holding Voltage | V _H | | | 3 | | V |
| POWER SUPPLY | | | | | | |
| Power-Supply Range | V+ | | 2 | | 12 | V |
| Positive Supply Current | I+ | V+ = 3.6V, V _{IN} = 0 or V+ | T _A = +25°C | | 1 | μA |
| | | | T _A = T _{MIN} to T _{MAX} | | 10 | |

Note 2: The algebraic convention, where the most negative value is a minimum and the most positive value is a maximum, is used in this data sheet.

Note 3: $\Delta R_{ON} = R_{ON(MAX)} - R_{ON(MIN)}$.

Note 4: Flatness is defined as the difference between the maximum and the minimum values of on-resistance as measured over the specified analog signal ranges.

Note 5: Leakage parameters are 100% tested at T_{A(max)}, and guaranteed by correlation at +25°C.

Note 6: Off-Isolation = $20 \log_{10}(V_{COM} / V_{NO})$, V_{COM} = output, V_{NO} = input to off switch.

Note 7: Between any two switches.

Note 8: Guaranteed by design.

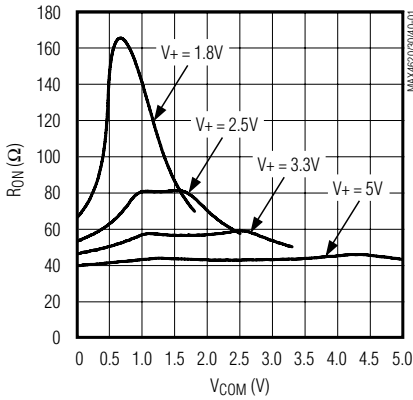
MAX4620/MAX4630/MAX4640

$\pm 15\text{kV}$ ESD-Protected, Low-Voltage, Quad, SPST, CMOS Analog Switches

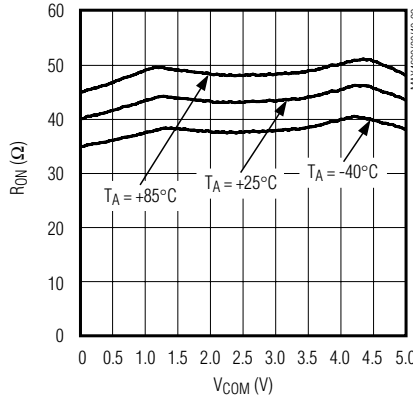
Typical Operating Characteristics

($V_+ = +5\text{V}$, $T_A = +25^\circ\text{C}$, unless otherwise specified.)

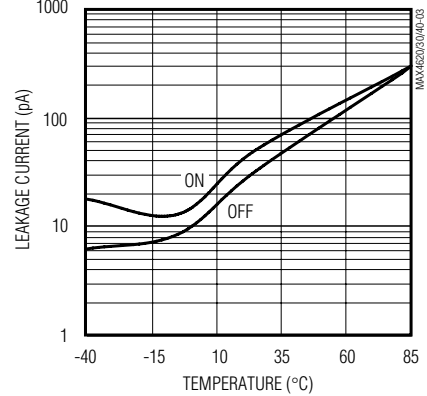
ON-RESISTANCE vs. V_{COM} AND SUPPLY VOLTAGE



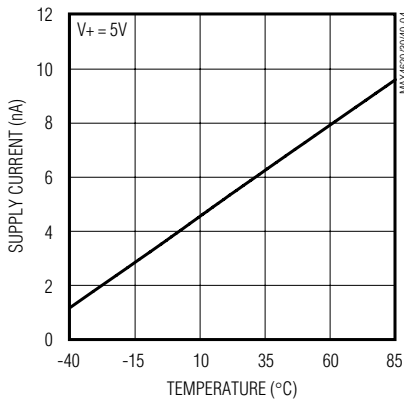
ON-RESISTANCE vs. V_{COM} AND TEMPERATURE



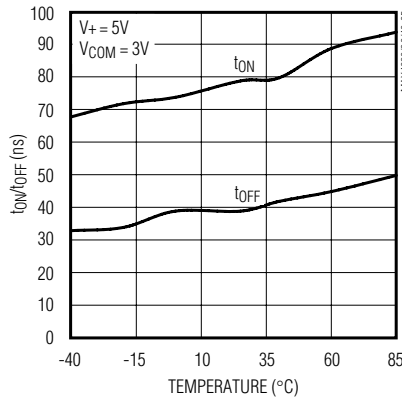
ON/OFF-LEAKAGE CURRENT vs. TEMPERATURE



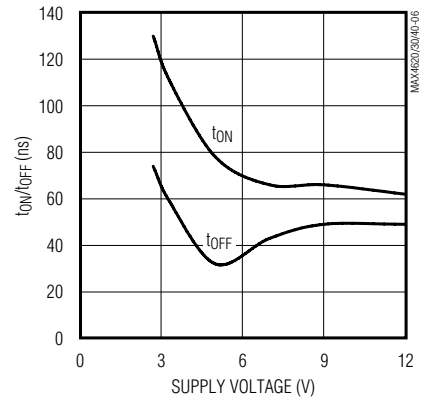
SUPPLY CURRENT vs. SUPPLY VOLTAGE AND TEMPERATURE



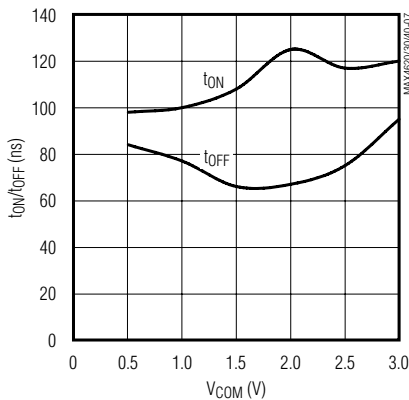
TURN-ON/TURN-OFF TIME vs. TEMPERATURE



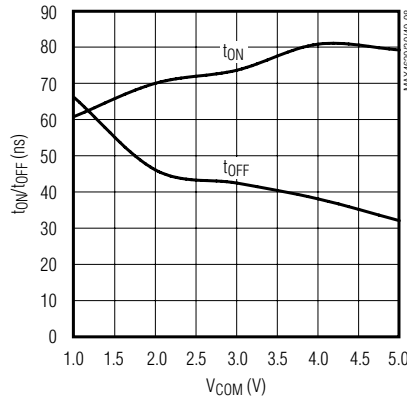
TURN-ON/TURN-OFF TIME vs. SUPPLY VOLTAGE



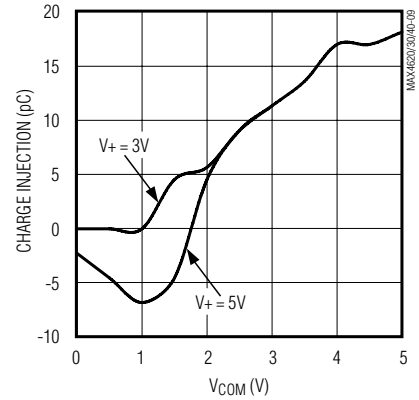
TURN-ON/TURN-OFF TIME vs. V_{COM} ($V_+ = +3\text{V}$)



TURN-ON/TURN-OFF TIME vs. V_{COM} ($V_+ = +5\text{V}$)



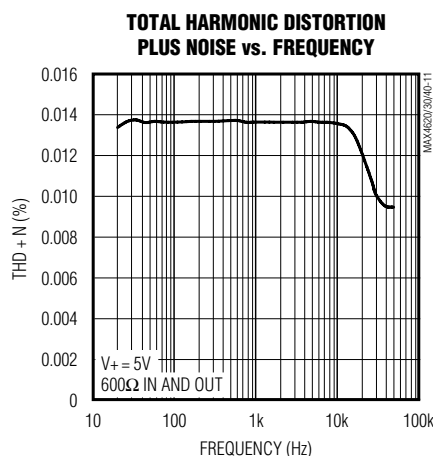
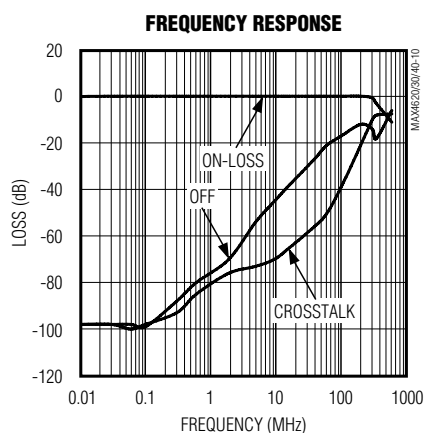
CHARGE INJECTION vs. V_{COM}



±15kV ESD-Protected, Low-Voltage, Quad, SPST, CMOS Analog Switches

Typical Operating Characteristics (continued)

(V₊ = +5V, T_A = +25°C, unless otherwise specified.)



Pin Description

| PIN | | | NAME | FUNCTION |
|---------|---------|---------|------|-----------------------------------|
| MAX4620 | MAX4630 | MAX4640 | | |
| 1 | — | 1 | NO1 | Analog Switch 1 – Normally Open |
| — | 1 | — | NC1 | Analog Switch 1 – Normally Closed |
| 2 | 2 | 2 | COM1 | Analog Switch 1 – Common |
| 3 | — | 3 | NO2 | Analog Switch 2 – Normally Open |
| — | 3 | — | NC2 | Analog Switch 2 – Normally Closed |
| 4 | 4 | 4 | COM2 | Analog Switch 2 – Common |
| 5 | 5 | 5 | IN2 | Digital Control Input 2 |
| 6 | 6 | 6 | IN3 | Digital Control Input 3 |
| 7 | 7 | 7 | GND | Ground |
| 8 | — | — | NO3 | Analog Switch 3 – Normally Open |
| — | 8 | 8 | NC3 | Analog Switch 3 – Normally Closed |
| 9 | 9 | 9 | COM3 | Analog Switch 3 – Common |
| 10 | 10 | 10 | COM4 | Analog Switch 4 – Common |
| 11 | — | — | NO4 | Analog Switch 4 – Normally Open |
| — | 11 | 11 | NC4 | Analog Switch 4 – Normally Closed |
| 12 | 12 | 12 | IN4 | Digital Control Input 4 |
| 13 | 13 | 13 | IN1 | Digital Control Input 1 |
| 14 | 14 | 14 | V+ | Positive Supply Voltage Input |

MAX4620/MAX4630/MAX4640

±15kV ESD-Protected, Low-Voltage, Quad, SPST, CMOS Analog Switches

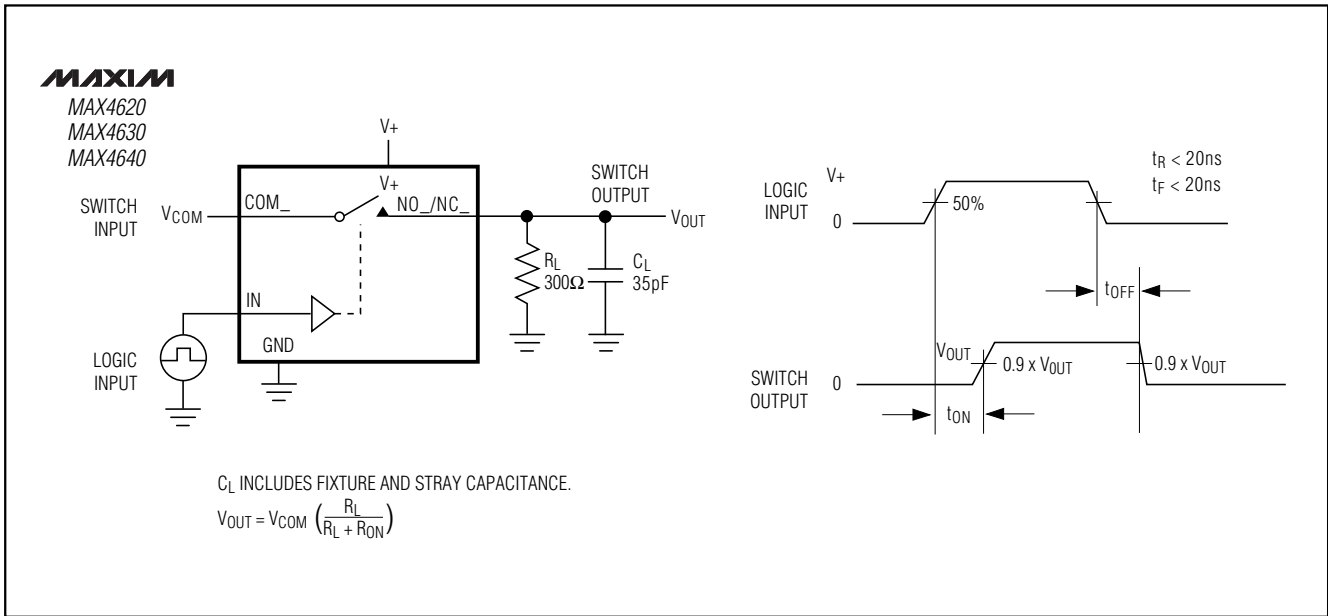


Figure 1. Switching Time

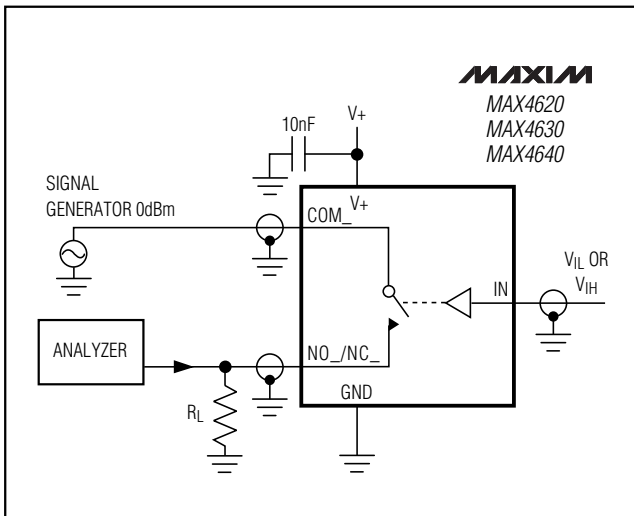


Figure 2. Off-Isolation/On-Channel Bandwidth

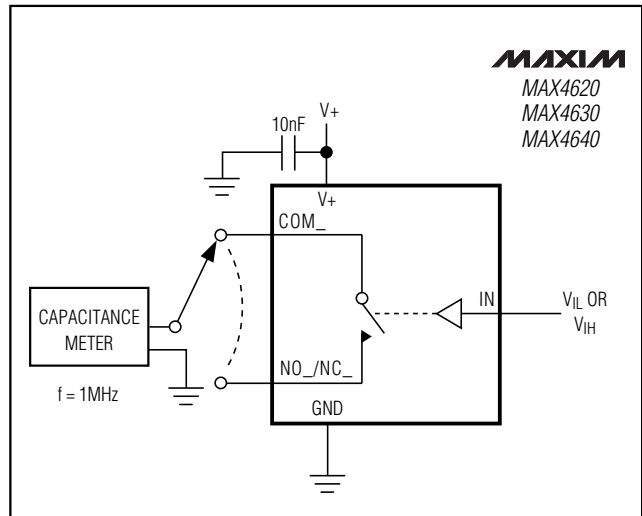


Figure 3. Channel Off/On-Capacitance

±15kV ESD-Protected, Low-Voltage, Quad, SPST, CMOS Analog Switches

MAX4620/MAX4630/MAX4640

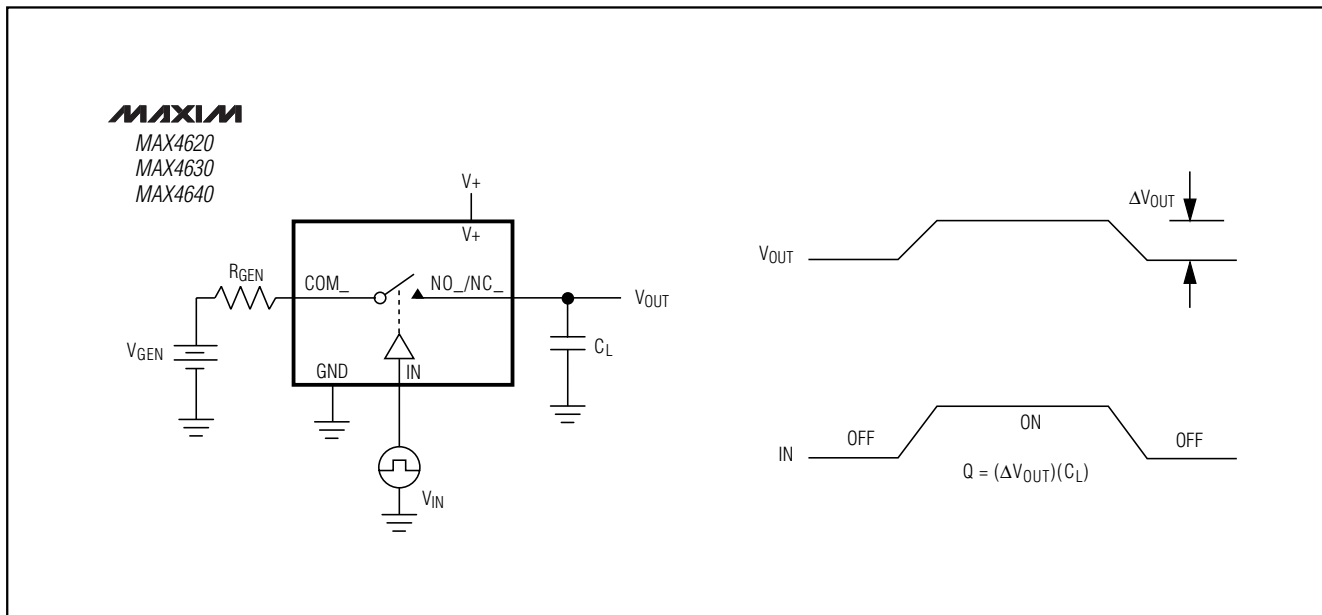


Figure 4. Charge Injection

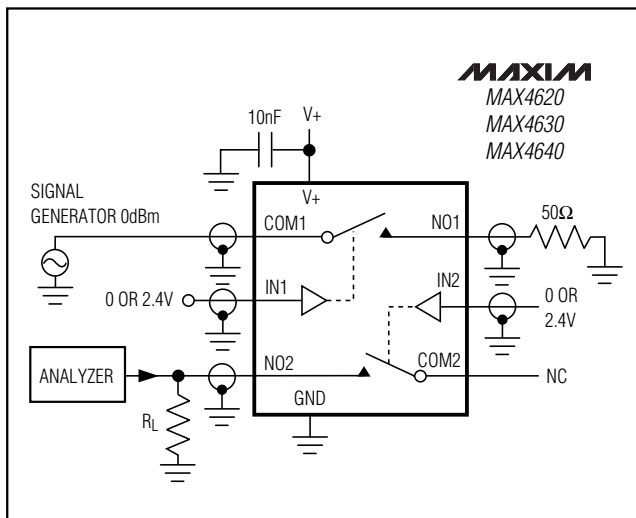


Figure 5. Crosstalk

Detailed Description

The MAX4620/MAX4630/MAX4640 are quad SPST CMOS analog switches with circuitry providing ±15kV ESD protection on the NO and NC pins. The CMOS switch construction provides rail-to-rail signal handling while consuming virtually no power. Each of the four switches is independently controlled by a TTL/CMOS-level-compatible digital input.

Applications Information

Do not exceed the absolute maximum ratings because stresses beyond the listed ratings may cause permanent damage to the device.

Proper power-supply sequencing is recommended for all CMOS devices. Always sequence V+ on first, followed by the logic inputs, NO/NC, or COM.

Operating Considerations for High-Voltage Supply

The MAX4620/MAX4630/MAX4640 are capable of +12V single-supply operation with some precautions. The absolute maximum rating for V+ is 13V (referenced to GND). When operating near this region, bypass V+ with a minimum 0.1μF capacitor to ground as close to the IC as possible.

±15kV ESD-Protected, Low-Voltage, Quad, SPST, CMOS Analog Switches

±15kV ESD Protection

The MAX4620/MAX4630/MAX4640 are ±15kV ESD-protected at the NC/NO terminals. To accomplish this, bidirectional SCRs are included on-chip between these terminals. When the voltages at these terminals go Beyond-the-Rails™, the corresponding SCR turns on in a few nanoseconds and bypasses the surge safely to ground. This method is superior to using diode clamps to the supplies because unless the supplies are very carefully decoupled through low ESR capacitors, the ESD current through the diode clamp could cause a significant spike in the supplies. This may damage or compromise the reliability of any other chip powered by those same supplies.

There are diodes from NC/NO to the supplies in addition to the SCRs. There is a resistance in series with each of these diodes to limit the current into the supplies during an ESD strike. The diodes protect these terminals from overvoltages that are not a result of ESD strikes. These diodes also protect the device from improper power-supply sequencing.

Once the SCR turns on because of an ESD strike, it continues to be on until the current through it falls below its “holding current.” The holding current is typically 110mA in the positive direction (current flowing into the NC/NO terminal) at room temperature (see Supply Current vs. Temperature in the *Typical Operating Characteristics*). Design the system so that any sources connected to NC/NO are current limited to a value below the holding current to ensure the SCR turns off when the ESD event is finished and normal operation is resumed. Also, keep in mind that the holding current varies significantly with temperature. The worst case is at +85°C when the holding currents drop to 70mA. Since this is a typical number to guarantee turn-off of the SCRs under all conditions, the sources connected to these terminals should be current limited to not more than half this value. When the SCR is latched, the voltage across it is approximately 3V, depending on the polarity of the pin current. The supply voltages do not appreciably affect the holding current. The sources connected to the COM side of the switches do not need to be current limited since the switches turn off internally when the corresponding SCR(s) latches.

Even though most of the ESD current flows to GND through the SCRs, a small portion of it goes into V+. Therefore, it is a good idea to bypass the V+ with 0.1µF capacitors directly to the ground plane.

ESD protection can be tested in various ways. Transmitter outputs and receiver inputs are characterized for protection to the following:

- ±15kV using the Human Body Model
- ±8kV using the Contact Discharge method specified in IEC 1000-4-2 (formerly IEC 801-2)
- ±15kV using the Air-Gap Discharge method specified in IEC 1000-4-2 (formerly IEC 801-2)

ESD Test Conditions

Contact Maxim Integrated Products for a reliability report that documents test setup, methodology, and results.

Human Body Model

Figure 6 shows the Human Body Model, and Figure 7 shows the waveform it generates when discharged into a low impedance. This model consists of a 100pF capacitor charged to the ESD voltage of interest, which can be discharged into the test device through a 1.5kΩ resistor.

IEC 1000-4-2

The IEC 1000-4-2 standard covers ESD testing and performance of finished equipment; it does not specifically refer to ICs. The MAX4620/MAX4630/MAX4640 enable the design of equipment that meets Level 4 (the highest level) of IEC 1000-4-2, without additional ESD protection components.

The major difference between tests done using the Human Body Model and IEC 1000-4-2 is higher peak current in IEC 1000-4-2. Because series resistance is lower in the IEC 1000-4-2 ESD test model (Figure 8), the ESD withstand voltage measured to this standard is generally lower than that measured using the Human Body Model. Figure 9 shows the current waveform for the ±8kV IEC 1000-4-2 Level 4 ESD Contact Discharge test.

The Air-Gap test involves approaching the device with a charged probe. The Contact Discharge method connects the probe to the device before the probe is energized.

Chip Information

TRANSISTOR COUNT: 156

PROCESS: CMOS

Beyond-the-Rails is a trademark of Maxim Integrated Products.

±15kV ESD-Protected, Low-Voltage, Quad, SPST, CMOS Analog Switches

MAX4620/MAX4630/MAX4640

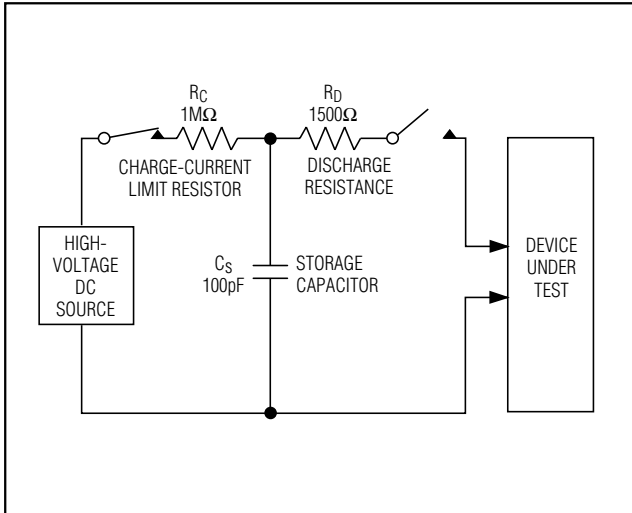


Figure 6. Human Body ESD Test Model

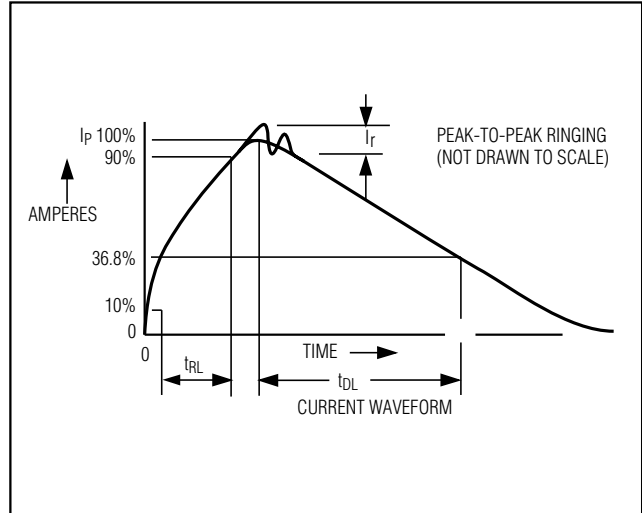


Figure 7. Human Body Model Current Waveform

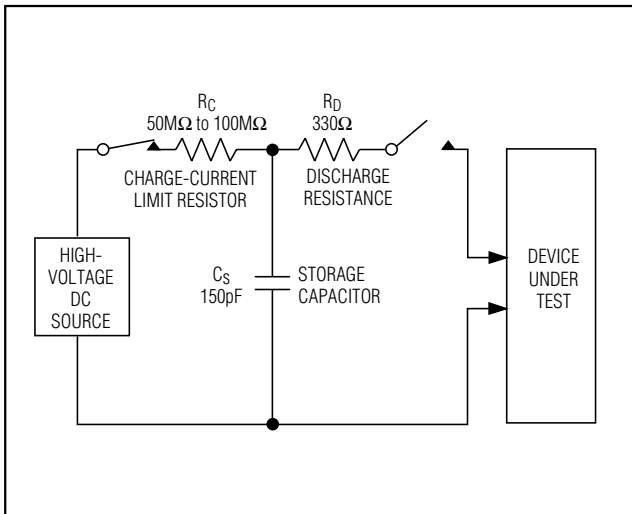


Figure 8. IEC 1000-4-2 ESD Test Model

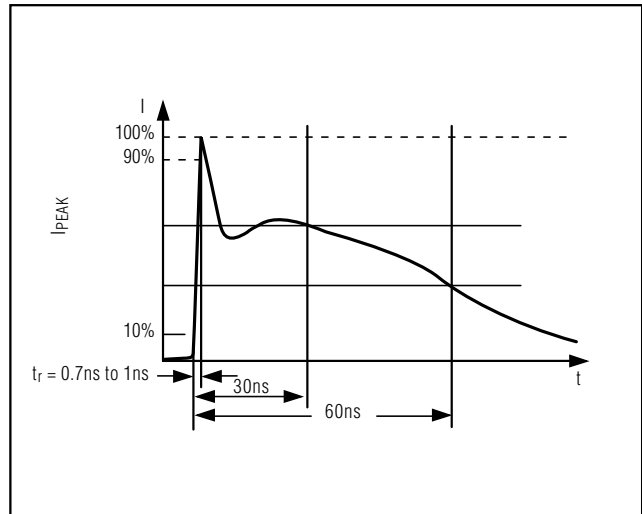
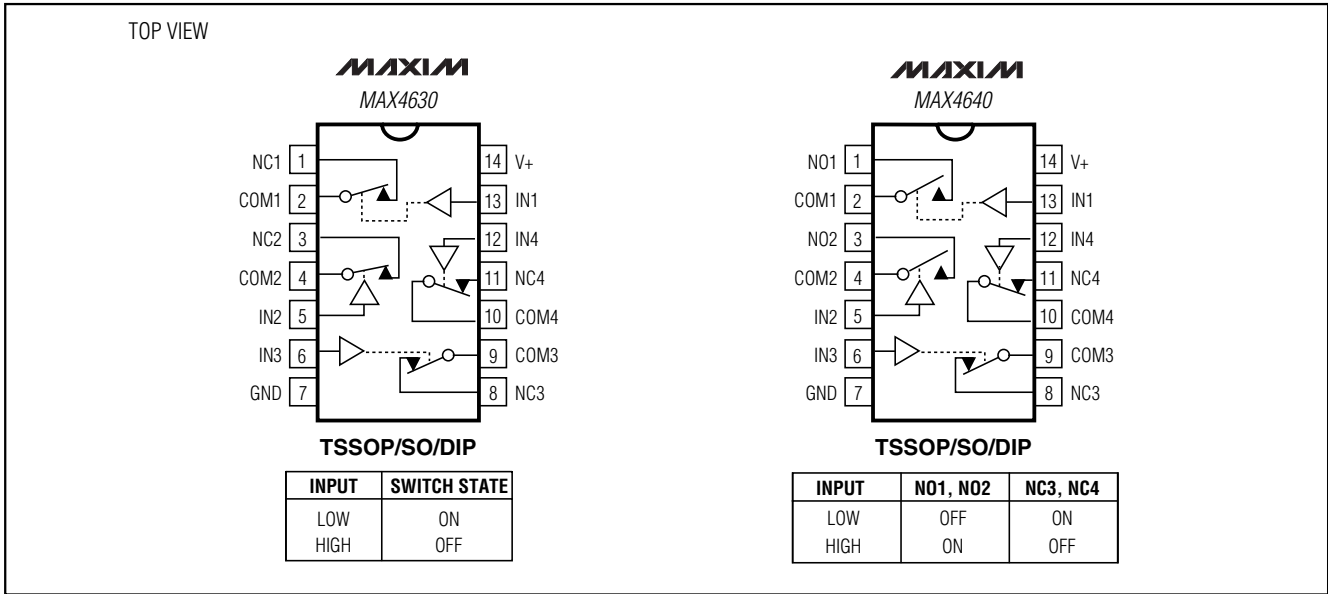


Figure 9. IEC 1000-4-2 ESD Generator Current Waveform

±15kV ESD-Protected, Low-Voltage, Quad, SPST, CMOS Analog Switches

Pin Configurations/Functional Diagrams/Truth Tables (continued)



Ordering Information (continued)

| PART | TEMP. RANGE | PIN-PACKAGE |
|------------|----------------|-------------|
| MAX4640EUD | -40°C to +85°C | 14 TSSOP |
| MAX4640ESD | -40°C to +85°C | 14 SO |
| MAX4640EPD | -40°C to +85°C | 14 DIP |

±15kV ESD-Protected, Low-Voltage, Quad, SPST, CMOS Analog Switches

Package Information

MAX4620/MAX4630/MAX4640

| Symbol | COMMON DIMENSIONS | | | |
|----------------|-------------------|-------|----------------|-------|
| | MILLIMETERS | | INCHES | |
| | MIN. | MAX. | MIN. | MAX. |
| A | — | 1.10 | — | .043 |
| A ₁ | 0.05 | 0.15 | .002 | .006 |
| A ₂ | 0.85 | 0.95 | .033 | .037 |
| b | 0.19 | 0.30 | .007 | .012 |
| b ₁ | 0.19 | 0.25 | .007 | .010 |
| c | 0.090 | 0.20 | .0035 | .008 |
| c ₁ | 0.090 | 0.135 | .0035 | .0053 |
| D | SEE VARIATIONS | | SEE VARIATIONS | |
| E | 4.30 | 4.50 | .169 | .177 |
| e | 0.65 BSC | | .026 BSC | |
| H | 6.25 | 6.50 | .246 | .256 |
| L | 0.50 | 0.70 | .020 | .028 |
| N | SEE VARIATIONS | | SEE VARIATIONS | |
| Y | 2.85 | 3.15 | .112 | .124 |
| α | 0° | 8° | 0° | 8° |

| JEDEC | MO-153 | N | VARIATIONS | | | |
|-------|--------|---|-------------|------|--------|------|
| | | | MILLIMETERS | | INCHES | |
| | | | MIN. | MAX. | MIN. | MAX. |
| AB | 14 | D | 4.90 | 5.10 | .193 | .201 |
| AC | 16 | D | 4.90 | 5.10 | .193 | .201 |
| AC-EP | 16 | D | 4.90 | 5.10 | .193 | .201 |
| | | X | 2.85 | 3.15 | .112 | .124 |
| AD | 20 | D | 6.40 | 6.60 | .252 | .260 |
| AD-EP | 20 | D | 6.40 | 6.60 | .252 | .260 |
| | | X | 4.00 | 4.34 | .157 | .171 |
| AE | 24 | D | 7.70 | 7.90 | .303 | .311 |
| AF | 28 | D | 9.60 | 9.80 | .378 | .386 |
| AF-EP | | D | 9.60 | 9.80 | .378 | .386 |
| | | X | 5.35 | 5.65 | .211 | .222 |

NOTES:

1. DIMENSIONS D AND E DO NOT INCLUDE FLASH.
2. MOLD FLASH OR PROTRUSIONS NOT TO EXCEED .15 mm PER SIDE.
3. CONTROLLING DIMENSION: MILLIMETER.
4. MEETS JEDEC OUTLINE MO-153 VARIATIONS AB, AC, AD, AE, AF.
5. DIMENSIONS X AND Y APPLY TO EXPOSED PAD (EP) VERSIONS ONLY.
6. EXPOSED PAD FLUSH WITH BOTTOM OF PACKAGE WITHIN .002".

| | | | |
|-------------------------------------------------------------|---------------------------------|----------|-----|
| MAXIM | | | |
| PROPRIETARY INFORMATION | | | |
| TITLE: PACKAGE OUTLINE, TSSOP, 4.40mm BODY, 0.65mm PITCH | | | |
| APPROVAL | DOCUMENT CONTROL NO. 21-0066 | REV C | 1/1 |

TSSOP-EP

±15kV ESD-Protected, Low-Voltage, Quad, SPST, CMOS Analog Switches

Package Information (continued)

| | INCHES | | MILLIMETERS | |
|----|--------|-------|-------------|------|
| | MIN | MAX | MIN | MAX |
| A | 0.053 | 0.069 | 1.35 | 1.75 |
| A1 | 0.004 | 0.010 | 0.10 | 0.25 |
| B | 0.014 | 0.019 | 0.35 | 0.49 |
| C | 0.007 | 0.010 | 0.19 | 0.25 |
| e | 0.050 | | 1.27 | |
| E | 0.150 | 0.157 | 3.80 | 4.00 |
| H | 0.228 | 0.244 | 5.80 | 6.20 |
| h | 0.010 | 0.020 | 0.25 | 0.50 |
| L | 0.016 | 0.050 | 0.40 | 1.27 |

| | INCHES | | MILLIMETERS | | N | MS012 |
|---|--------|-------|-------------|-------|----|-------|
| | MIN | MAX | MIN | MAX | | |
| D | 0.189 | 0.197 | 4.80 | 5.00 | 8 | A |
| D | 0.337 | 0.344 | 8.55 | 8.75 | 14 | B |
| D | 0.386 | 0.394 | 9.80 | 10.00 | 16 | C |

NOTES:
 1. D&E DO NOT INCLUDE MOLD FLASH
 2. MOLD FLASH OR PROTRUSIONS NOT TO EXCEED .15mm (.006")
 3. LEADS TO BE COPLANAR WITHIN .102mm (.004")
 4. CONTROLLING DIMENSION: MILLIMETER
 5. MEETS JEDEC MS012-XX AS SHOWN IN ABOVE TABLE
 6. N = NUMBER OF PINS

SOIC16

121 SAN GABRIEL DR. SAN DIEGO, CA 92146 FAX (619) 737-7754
 PROPRIETARY INFORMATION

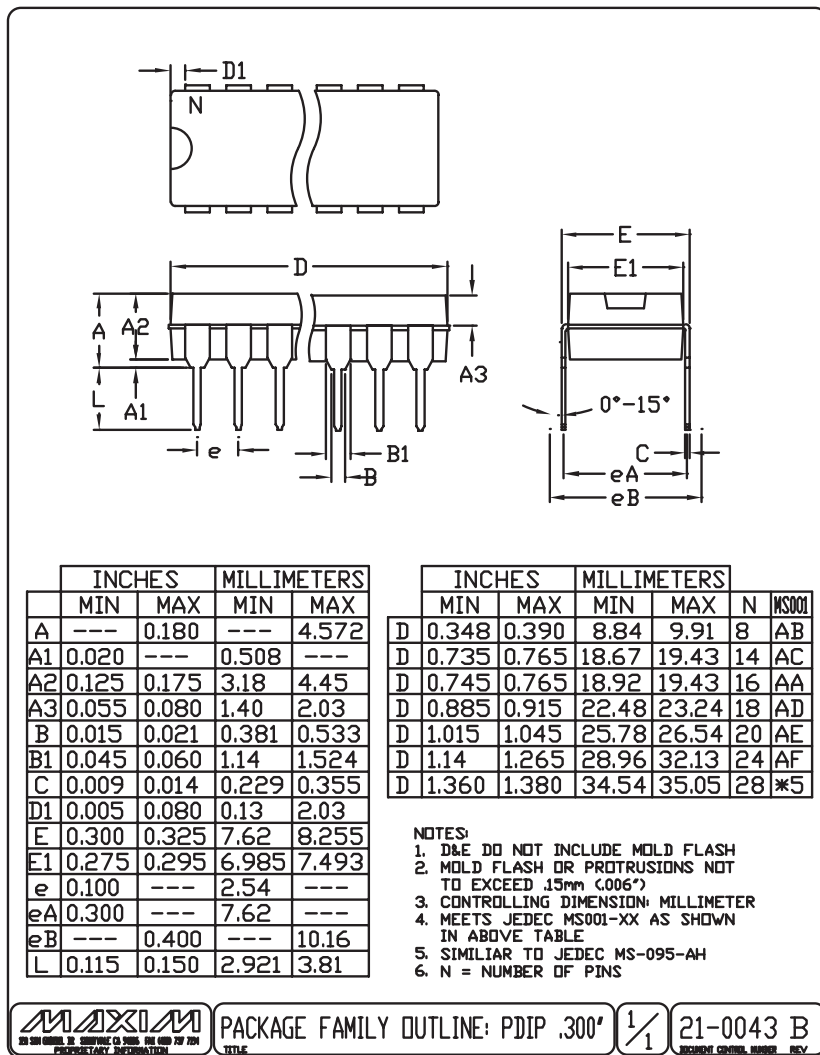
PACKAGE FAMILY OUTLINE: SOIC .150" $\frac{1}{1}$

21-0041 A
 DOCUMENT CONTROL NUMBER REV

±15kV ESD-Protected, Low-Voltage, Quad, SPST, CMOS Analog Switches

Package Information (continued)

MAX4620/MAX4630/MAX4640



±15kV ESD-Protected, Low-Voltage, Quad, SPST, CMOS Analog Switches

NOTES

Maxim cannot assume responsibility for use of any circuitry other than circuitry entirely embodied in a Maxim product. No circuit patent licenses are implied. Maxim reserves the right to change the circuitry and specifications without notice at any time.

16 _____ Maxim Integrated Products, 120 San Gabriel Drive, Sunnyvale, CA 94086 408-737-7600

Looking for pricing, stock, or lifecycle information?

Click below to explore more details on WIN SOURCE:

- ⊖ [View MAX4630EUD](#) on WIN SOURCE
- ⊖ [Maxim Integrated](#) Information

Optimize Your Supply Chain with WIN SOURCE Solutions

- ✓ Global Sourcing Solution
- ✓ Obsolete Management
- ✓ Cost Control Management
- ✓ Shortage Management
- ✓ Alternative Solution
- ✓ Excess Inventory Management