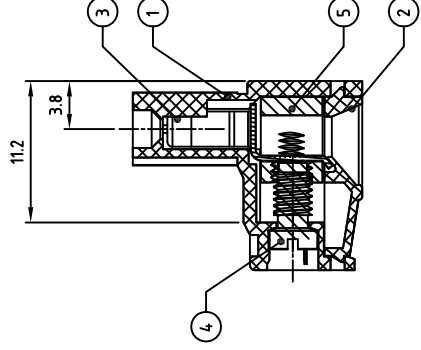
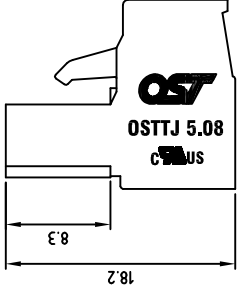
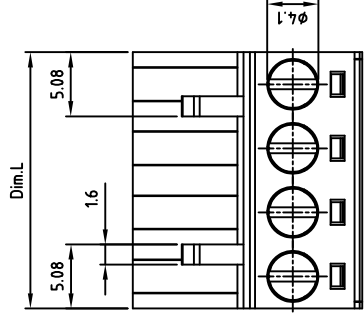
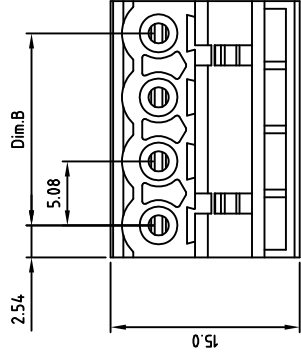
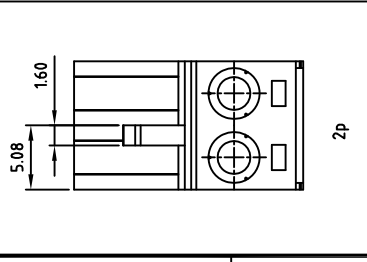




**THE DATASHEET OF
OSTTJ045153**



Transfer or duplication of this document as well as the utilisation or communication of its content are not permitted unless express consent is granted. Violations give rise to claims for damages. All rights reserved in case of patent, utility model or design patent registrations.



Technical data

- Nominal voltage: 30V
- PITCH: 5.08mm
- Connection capacity: AWG 30-12
- Insulation Withstand Voltage: AC 1600V/MIN
- Insulation Resistance: >1000MΩ or more at 50°C
- Tightening torque: 5.0kgf.cm (0.5N.m)
- Screw thread: M3
- Stripping length: 10mm
- Operating temperature: -40°C to 125°C
- Undimensioned To: 2016.05.19

Dim.L=P×5.08
 Dim.B=(P-1)×5.08
 P= number of poles
 0-30mm
 over 30mm-60mm
 over 60mm-90mm
 over 90mm

- Safety approval: CE, RoHS
- RoHS Compliance

Part No.: OSTTJXX5

- No. of Poles
 02 2 Poles
 03 3 Poles
 ... 24 Poles

Nonstandard
 Minus code

5	CAGE	BRASS
4	SCREW	Steel
3	WIRE GUARD	BRONZE (PbBz)
2	COVER	PA66 UL94V-0
1	BODY	PA66 UL94V-0
ITEM	NAME OF PART	MATERIAL
DWG.	Manwin Zhang	DATE
CHK.		DATE
APP.		DATE



ON-SHORE TECHNOLOGY, INC.

△	SIGN	DESCRIPTION	CHK	DATE
---	------	-------------	-----	------

Looking for pricing, stock, or lifecycle information?

Click below to explore more details on WIN SOURCE:

- ⊖ [View OSTTJ045153 on WIN SOURCE](#)
- ⊖ [On Shore Technology Inc. Information](#)

Optimize Your Supply Chain with WIN SOURCE Solutions

- ✓ Global Sourcing Solution
- ✓ Obsolete Management
- ✓ Cost Control Management
- ✓ Shortage Management
- ✓ Alternative Solution
- ✓ Excess Inventory Management