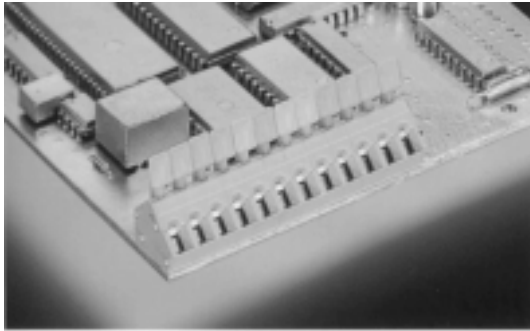




**THE DATASHEET OF
ED3001/11-FD**



ED3001/X-FD



1-n poles, Spacing 5.0 mm adjustable to 5.08 mm
insert required no. of poles **X**
How to order see page 5



Ratings:

Rated Voltage	300 V	250 V
Rated Current	16 A	24 A (T60)
Wire Size	AWG 28-14	2.5 mm²
Test Voltage		2.0 kV

Max. Rated Cross Section

Single Wire (solid)	2.5 mm²
Stranded Wire (flexible)	2.5 mm²
Stranded wire with Ferrules	1.5 mm²

Dimensions

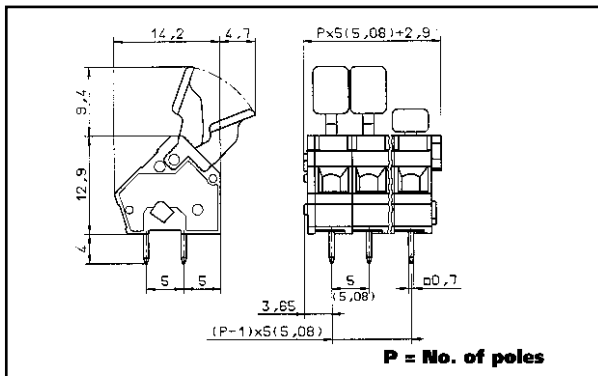
Spacing	5.0 mm (5.08 mm)
PCB Hole Diameter	1.0 mm (2x)
Stripped Length	6.0 mm

Materials

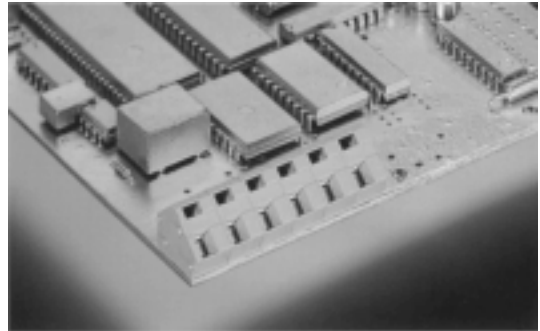
Insulating Material	PA
Flammability Class	UL94 V-0
Temperature Range	-30°C/+105°C
Cage Clamp	Stainless Steel
Wire Guard	Cu

Color

Slade Grey



ED3010/X



1-n poles, Spacing 7.5 mm adjustable to 7.62 mm
insert required no. of poles **X**
How to order see page 5



Ratings:

Rated Voltage	300 V	750 V
Rated Current	16 A	24 A (T60)
Wire Size	AWG 28-14	2.5 mm²
Test Voltage		3.0 kV

Max. Rated Cross Section

Single Wire (solid)	2.5 mm²
Stranded Wire (flexible)	2.5 mm²
Stranded wire with Ferrules	1.5 mm²

Dimensions

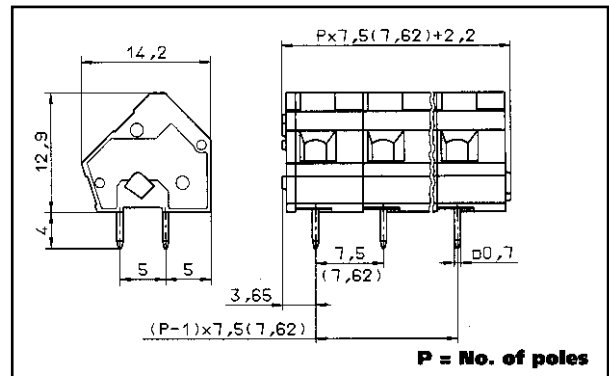
Spacing	7.5 mm (7.62 mm)
PCB Hole Diameter	1.0 mm (2x)
Stripped Length	6.0 mm

Materials

Insulating Material	PA
Flammability Class	UL94 V-0
Temperature Range	-30°C/+105°C
Cage Clamp	Stainless Steel
Wire Guard	Cu

Color

Slade Grey



Looking for pricing, stock, or lifecycle information?

Click below to explore more details on WIN SOURCE:

-  [View ED3001/11-FD on WIN SOURCE](#)
-  [On Shore Technology Inc. Information](#)

Optimize Your Supply Chain with WIN SOURCE Solutions

-  Global Sourcing Solution
-  Obsolete Management
-  Cost Control Management
-  Shortage Management
-  Alternative Solution
-  Excess Inventory Management