



THE DATASHEET OF CPFC805NP-100M05

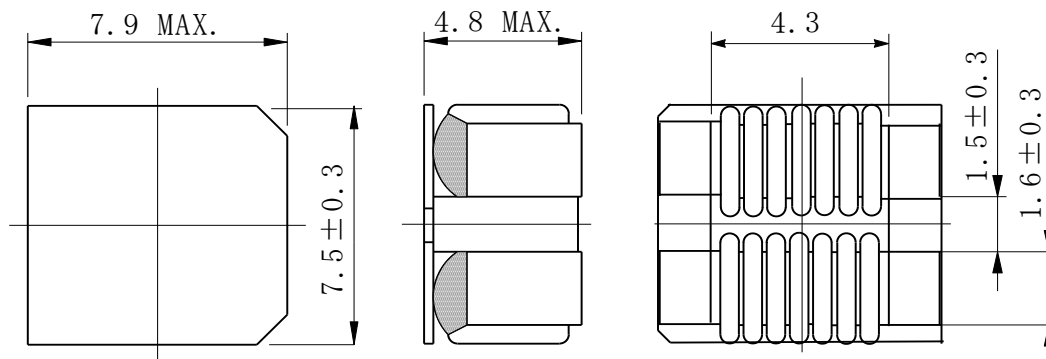
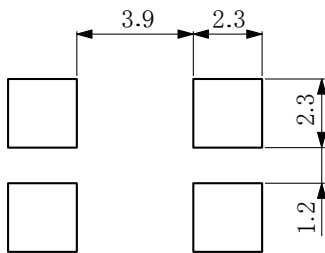
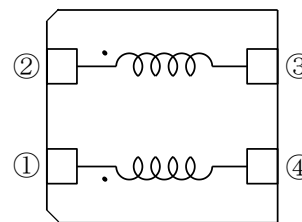


Type: CPFC805
◆ Product Description

- Size: 7.9×7.8mm Max.(L×W), 4.8mm Max. Height .
- Insulated withstand voltage: DC 100V


◆ Feature

- High impedance in wide range of frequency.
- Ideally used in DC line noise reduction for LCD TV and PC.
- RoHS Compliance

◆ Dimensions (mm)

◆ Land Pattern (mm)

◆ Schematics (Bottom)


- * Winding start is #1,#2 or #4,#3.
- * #1 and #4,#2 and #3 : should be same polarity.

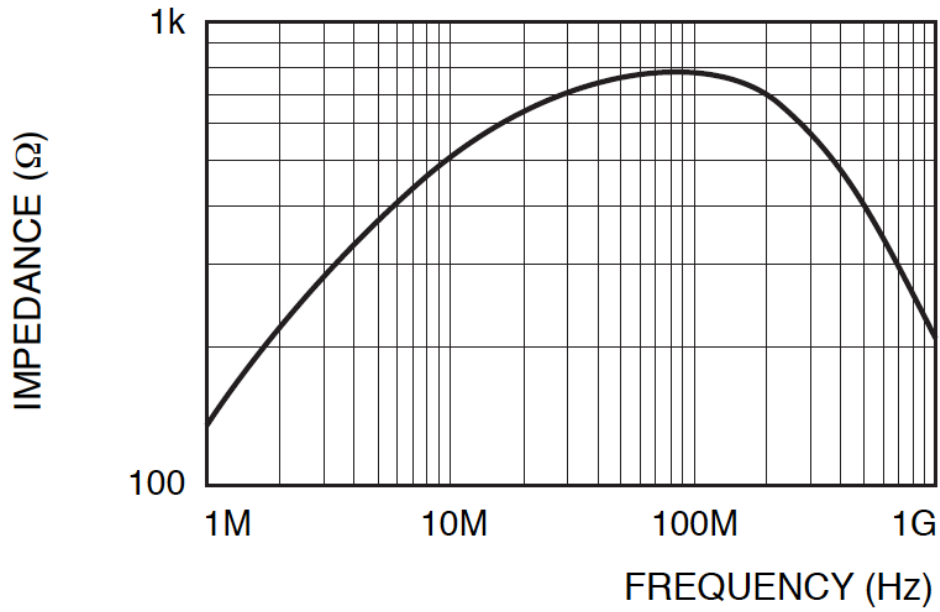
◆ Specification

Part Name	Stamp	Impedance (Ω)<Min.> (1,2-3,4) 100MHz	D.C.R. (mΩ) <Max.> (1-4),(2-3)	Rated current (1-2)(A) (3-4) shorted ※1
CPFC805-1Ø0MØ5	M05	500	15	4.5

※ Rated current: The DC current at which the temperature rise is $\Delta t=40^{\circ}\text{C}$.($T_a=20^{\circ}\text{C}$).

Type: CPFC805

Impedance Characteristics / インピーダンス特性



Looking for pricing, stock, or lifecycle information?

Click below to explore more details on WIN SOURCE:

-  [View CPFC805NP-100M05 on WIN SOURCE](#)
-  [Sumida America Components Inc. Information](#)

Optimize Your Supply Chain with WIN SOURCE Solutions

-  Global Sourcing Solution
-  Obsolete Management
-  Cost Control Management
-  Shortage Management
-  Alternative Solution
-  Excess Inventory Management