



# CAT24C32

## EEPROM Serial 32-Kb I<sup>2</sup>C

### Description

The CAT24C32 is a EEPROM Serial 32-Kb I<sup>2</sup>C devices, internally organized as 4096 words of 8 bits each.

It features a 32-byte page write buffer and supports the Standard (100 kHz), Fast (400 kHz) and Fast-Plus (1 MHz) I<sup>2</sup>C protocol.

External address pins make it possible to address up to eight CAT24C32 devices on the same bus.

### Features

- Supports Standard, Fast and Fast-Plus I<sup>2</sup>C Protocol
- 1.7 V to 5.5 V Supply Voltage Range
- 32-Byte Page Write Buffer
- Hardware Write Protection for Entire Memory
- Schmitt Triggers and Noise Suppression Filters on I<sup>2</sup>C Bus Inputs (SCL and SDA)
- Low Power CMOS Technology
- 1,000,000 Program/Erase Cycles
- 100 Year Data Retention
- Industrial and Extended Temperature Range
- PDIP, SOIC, TSSOP, UDFN, US 8-lead, WLCSP 4-ball and 5-ball Packages
- This Device is Pb-Free, Halogen Free/BFR Free, and RoHS Compliant



**ON Semiconductor®**

[www.onsemi.com](http://www.onsemi.com)



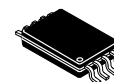
**SOIC-8  
W SUFFIX  
CASE 751BD**



**UDFN8  
HU4 SUFFIX  
CASE 517AZ**



**SOIC-8 WIDE  
X SUFFIX  
CASE 751BE**



**TSSOP-8  
Y SUFFIX  
CASE 948AL**

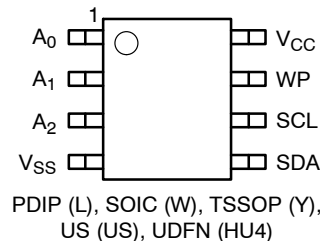
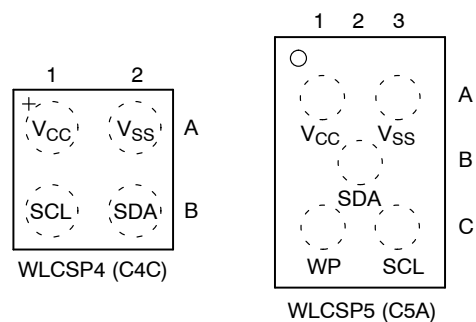


**WLCSP5  
C5A SUFFIX  
CASE 567JQ**



**WLCSP4  
C4C SUFFIX  
CASE 567JY**

### PIN CONFIGURATIONS (Top Views)



For the location of Pin 1, please consult the corresponding package drawing.

\* In Development; please contact factory for availability

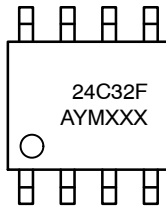
### ORDERING INFORMATION

See detailed ordering and shipping information in the package dimensions section on page 9 of this data sheet.

# CAT24C32

## DEVICE MARKINGS

(SOIC-8)



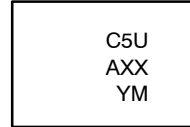
24C32F = Specific Device Code  
 A = Assembly Location  
 Y = Production Year (Last Digit)  
 M = Production Month (1-9, O, N, D)  
 XXX = Last Three Digits of Assembly Lot Number

(WLCSP-4)



B = Specific Device Code  
 Y = Production Year (Last Digit)  
 M = Production Month (1-9, O, N, D)

(UDFN-8)



C5U = Specific Device Code  
 A = Assembly Location  
 XX = Last Two Digits of Assembly Lot Number  
 Y = Production Year (Last Digit)  
 M = Production Month (1-9, O, N, D)

(WLCSP-5)



2 = Specific Device Code  
 Y = Production Year (Last Digit)  
 M = Production Month (1-9, O, N, D)

(TSSOP-8)



C32F = Specific Device Code  
 A = Assembly Location  
 Y = Production Year (Last Digit)  
 M = Production Month (1-9, O, N, D)  
 XXX = Last Three Digits of Assembly Lot Number

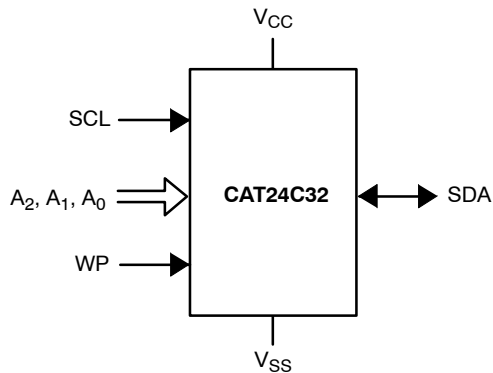


Figure 1. Functional Symbol

## PIN FUNCTION

| Pin Name        | Function       |
|-----------------|----------------|
| A0, A1, A2      | Device Address |
| SDA             | Serial Data    |
| SCL             | Serial Clock   |
| WP              | Write Protect  |
| V <sub>CC</sub> | Power Supply   |
| V <sub>SS</sub> | Ground         |

# CAT24C32

**Table 1. ABSOLUTE MAXIMUM RATINGS**

| Parameters   | Ratings      | Units |
|--|--------------|-------|
| Storage Temperature                                | -65 to +150  | °C    |
| Voltage on any Pin with Respect to Ground (Note 1) | -0.5 to +6.5 | V     |

Stresses exceeding those listed in the Maximum Ratings table may damage the device. If any of these limits are exceeded, device functionality should not be assumed, damage may occur and reliability may be affected.

- The DC input voltage on any pin should not be lower than -0.5 V or higher than  $V_{CC} + 0.5$  V. During transitions, the voltage on any pin may undershoot to no less than -1.5 V or overshoot to no more than  $V_{CC} + 1.5$  V, for periods of less than 20 ns.

**Table 2. RELIABILITY CHARACTERISTICS (Note 2)**

| Symbol             | Parameter      | Min       | Units                |
|--------------------|----------------|-----------|----------------------|
| $N_{END}$ (Note 3) | Endurance      | 1,000,000 | Program/Erase Cycles |
| $T_{DR}$           | Data Retention | 100       | Years                |

- These parameters are tested initially and after a design or process change that affects the parameter according to appropriate AEC-Q100 and JEDEC test methods.
- Page Mode,  $V_{CC} = 5$  V, 25°C.

**Table 3. D.C. OPERATING CHARACTERISTICS**

( $V_{CC} = 1.8$  V to 5.5 V,  $T_A = -40$ °C to +125°C and  $V_{CC} = 1.7$  V to 5.5 V,  $T_A = -40$ °C to +85°C, unless otherwise specified.)

| Symbol    | Parameter          | Test Conditions                        | Min  | Max                 | Units   |
|-----------|--------------------|--|--|---------------------|---------|
| $I_{CCR}$ | Read Current       | Read, $f_{SCL} = 400$ kHz              |  | 1                   | mA      |
| $I_{CCW}$ | Write Current      | Write, $f_{SCL} = 400$ kHz             |  | 2                   | mA      |
| $I_{SB}$  | Standby Current    | All I/O Pins at GND or $V_{CC}$        | $T_A = -40$ °C to +85°C<br>$V_{CC} \leq 3.3$ V | 1                   | $\mu$ A |
|           |                    |  | $T_A = -40$ °C to +85°C<br>$V_{CC} > 3.3$ V    | 3                   |         |
|           |                    |  | $T_A = -40$ °C to +125°C                       | 5                   |         |
| $I_L$     | I/O Pin Leakage    | Pin at GND or $V_{CC}$                 |  | 2                   | $\mu$ A |
| $V_{IL}$  | Input Low Voltage  |  | -0.5   | $V_{CC} \times 0.3$ | V       |
| $V_{IH}$  | Input High Voltage | SCL, SDA Inputs                        | $V_{CC} \times 0.7$                            | 6.5                 | V       |
|           |                    | WP, A0, A1, A2 Inputs                  | $V_{CC} \times 0.7$                            | $V_{CC} + 0.5$      |         |
| $V_{OL1}$ | Output Low Voltage | $V_{CC} \geq 2.5$ V, $I_{OL} = 3.0$ mA |  | 0.4                 | V       |
| $V_{OL2}$ | Output Low Voltage | $V_{CC} < 2.5$ V, $I_{OL} = 1.0$ mA    |  | 0.2                 | V       |

Product parametric performance is indicated in the Electrical Characteristics for the listed test conditions, unless otherwise noted. Product performance may not be indicated by the Electrical Characteristics if operated under different conditions.

**Table 4. PIN IMPEDANCE CHARACTERISTICS**

( $V_{CC} = 1.8$  V to 5.5 V,  $T_A = -40$ °C to +125°C and  $V_{CC} = 1.7$  V to 5.5 V,  $T_A = -40$ °C to +85°C, unless otherwise specified.)

| Symbol            | Parameter   | Conditions                                   | Max | Units   |
|-------------------|---|--|-----|---------|
| $C_{IN}$ (Note 4) | SDA I/O Pin Capacitance                             | $V_{IN} = 0$ V, $T_A = 25$ °C, $f = 1.0$ MHz | 8   | pF      |
| $C_{IN}$ (Note 4) | Input Capacitance (other pins)                      | $V_{IN} = 0$ V, $T_A = 25$ °C, $f = 1.0$ MHz | 6   | pF      |
| $I_{WP}$ (Note 5) | WP Input Current                                    | $V_{IN} < V_{IH}$ , $V_{CC} = 5.5$ V         | 130 | $\mu$ A |
|                   |   | $V_{IN} < V_{IH}$ , $V_{CC} = 3.3$ V         | 120 |         |
|                   |   | $V_{IN} < V_{IH}$ , $V_{CC} = 1.7$ V         | 80  |         |
|                   |   | $V_{IN} > V_{IH}$                            | 2   |         |
| $I_A$ (Note 5)    | Address Input Current (A0, A1, A2)<br>Product Rev F | $V_{IN} < V_{IH}$ , $V_{CC} = 5.5$ V         | 50  | $\mu$ A |
|                   |   | $V_{IN} < V_{IH}$ , $V_{CC} = 3.3$ V         | 35  |         |
|                   |   | $V_{IN} < V_{IH}$ , $V_{CC} = 1.7$ V         | 25  |         |
|                   |   | $V_{IN} > V_{IH}$                            | 2   |         |

- These parameters are tested initially and after a design or process change that affects the parameter according to appropriate AEC-Q100 and JEDEC test methods.
- When not driven, the WP, A0, A1 and A2 pins are pulled down to GND internally. For improved noise immunity, the internal pull-down is relatively strong; therefore the external driver must be able to supply the pull-down current when attempting to drive the input HIGH. To conserve power, as the input level exceeds the trip point of the CMOS input buffer ( $\sim 0.5 \times V_{CC}$ ), the strong pull-down reverts to a weak current source.

# CAT24C32

**Table 5. A.C. CHARACTERISTICS**

( $V_{CC} = 1.8\text{ V to }5.5\text{ V}$ ,  $T_A = -40^\circ\text{C to }+125^\circ\text{C}$  and  $V_{CC} = 1.7\text{ V to }5.5\text{ V}$ ,  $T_A = -40^\circ\text{C to }+85^\circ\text{C}$ .) (Note 6)

| Symbol                | Parameter                                  | Standard<br>$V_{CC} = 1.7\text{ V} - 5.5\text{ V}$ |       | Fast<br>$V_{CC} = 1.7\text{ V} - 5.5\text{ V}$ |     | Fast-Plus (Note 9)<br>$V_{CC} = 2.5\text{ V} - 5.5\text{ V}$<br>$T_A = -40^\circ\text{C to }+85^\circ\text{C}$ |       | Units         |
|-----------------------|--|--|-------|--|-----|--|-------|---------------|
|                       |  | Min  | Max   | Min  | Max | Min  | Max   |               |
| $f_{SCL}$             | Clock Frequency                            |  | 100   |  | 400 |  | 1,000 | kHz           |
| $t_{HD:STA}$          | START Condition Hold Time                  | 4  |       | 0.6  |     | 0.25   |       | $\mu\text{s}$ |
| $t_{LOW}$             | Low Period of SCL Clock                    | 4.7  |       | 1.3  |     | 0.45   |       | $\mu\text{s}$ |
| $t_{HIGH}$            | High Period of SCL Clock                   | 4  |       | 0.6  |     | 0.40   |       | $\mu\text{s}$ |
| $t_{SU:STA}$          | START Condition Setup Time                 | 4.7  |       | 0.6  |     | 0.25   |       | $\mu\text{s}$ |
| $t_{HD:DAT}$          | Data In Hold Time                          | 0  |       | 0  |     | 0  |       | $\mu\text{s}$ |
| $t_{SU:DAT}$          | Data In Setup Time                         | 250  |       | 100  |     | 50   |       | ns            |
| $t_R$ (Note 7)        | SDA and SCL Rise Time                      |  | 1,000 |  | 300 |  | 100   | ns            |
| $t_F$ (Note 7)        | SDA and SCL Fall Time                      |  | 300   |  | 300 |  | 100   | ns            |
| $t_{SU:STO}$          | STOP Condition Setup Time                  | 4  |       | 0.6  |     | 0.25   |       | $\mu\text{s}$ |
| $t_{BUF}$             | Bus Free Time Between STOP and START       | 4.7  |       | 1.3  |     | 0.5  |       | $\mu\text{s}$ |
| $t_{AA}$              | SCL Low to Data Out Valid                  |  | 3.5   |  | 0.9 |  | 0.40  | $\mu\text{s}$ |
| $t_{DH}$ (Note 7)     | Data Out Hold Time                         | 100  |       | 100  |     | 50   |       | ns            |
| $T_i$ (Note 7)        | Noise Pulse Filtered at SCL and SDA Inputs |  | 100   |  | 100 |  | 100   | ns            |
| $t_{SU:WP}$           | WP Setup Time                              | 0  |       | 0  |     | 0  |       | $\mu\text{s}$ |
| $t_{HD:WP}$           | WP Hold Time                               | 2.5  |       | 2.5  |     | 1  |       | $\mu\text{s}$ |
| $t_{WR}$              | Write Cycle Time                           |  | 5     |  | 5   |  | 5     | ms            |
| $t_{PU}$ (Notes 7, 8) | Power-up to Ready Mode                     |  | 1     |  | 1   |  | 1     | ms            |

6. Test conditions according to "A.C. Test Conditions" table.

7. Tested initially and after a design or process change that affects this parameter.

8.  $t_{PU}$  is the delay between the time  $V_{CC}$  is stable and the device is ready to accept commands.

9. Fast-Plus (1 MHz) speed class available for product revision "F". The die revision "F" is identified by letter "F" or a dedicated marking code on top of the package.

**Table 6. A.C. TEST CONDITIONS**

|                          |   |
|--------------------------|---|
| Input Drive Levels       | $0.2 \times V_{CC}$ to $0.8 \times V_{CC}$  |
| Input Rise and Fall Time | $\leq 50\text{ ns}$   |
| Input Reference Levels   | $0.3 \times V_{CC}$ , $0.7 \times V_{CC}$   |
| Output Reference Level   | $0.5 \times V_{CC}$   |
| Output Test Load         | Current Source $I_{OL} = 3\text{ mA}$ ( $V_{CC} \geq 2.5\text{ V}$ ); $I_{OL} = 1\text{ mA}$ ( $V_{CC} < 2.5\text{ V}$ ); $C_L = 100\text{ pF}$ |

**Power-On Reset (POR)**

Each CAT24C32 incorporates Power-On Reset (POR) circuitry which protects the internal logic against powering up in the wrong state. The device will power up into Standby mode after  $V_{CC}$  exceeds the POR trigger level and will power down into Reset mode when  $V_{CC}$  drops below the POR trigger level. This bi-directional POR behavior protects the device against ‘brown-out’ failure following a temporary loss of power.

**Pin Description**

**SCL:** The Serial Clock input pin accepts the clock signal generated by the Master.

**SDA:** The Serial Data I/O pin accepts input data and delivers output data. In transmit mode, this pin is open drain. Data is acquired on the positive edge, and is delivered on the negative edge of SCL.

**A<sub>0</sub>, A<sub>1</sub> and A<sub>2</sub>:** The Address inputs set the device address that must be matched by the corresponding Slave address bits. The Address inputs are hard-wired HIGH or LOW allowing for up to eight devices to be used (cascaded) on the same bus. When left floating, these pins are pulled LOW internally. The Address inputs are not available for use with WLCSP 4-ball and 5-ball.

**WP:** When pulled HIGH, the Write Protect input pin inhibits all write operations. When left floating, this pin is pulled LOW internally. The WP input is not available for the WLCSP 4-ball, therefore all write operations are allowed for the device in this package.

**Functional Description**

The CAT24C32 supports the Inter-Integrated Circuit (I<sup>2</sup>C) Bus protocol. The protocol relies on the use of a Master device, which provides the clock and directs bus traffic, and Slave devices which execute requests. The CAT24C32 operates as a Slave device. Both Master and Slave can transmit or receive, but only the Master can assign those roles.

**I<sup>2</sup>C Bus Protocol**

The 2-wire I<sup>2</sup>C bus consists of two lines, SCL and SDA, connected to the  $V_{CC}$  supply via pull-up resistors. The Master provides the clock to the SCL line, and either the Master or the Slaves drive the SDA line. A ‘0’ is transmitted by pulling a line LOW and a ‘1’ by letting it stay HIGH. Data transfer may be initiated only when the bus is not busy (see A.C. Characteristics). During data transfer, SDA must remain stable while SCL is HIGH.

**START/STOP Condition**

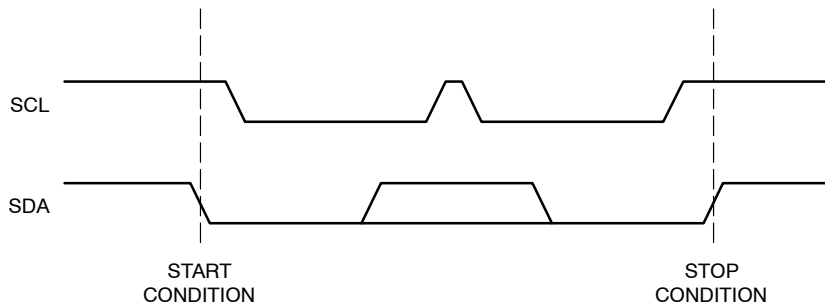
An SDA transition while SCL is HIGH creates a START or STOP condition (Figure 2). The START consists of a HIGH to LOW SDA transition, while SCL is HIGH. Absent the START, a Slave will not respond to the Master. The STOP completes all commands, and consists of a LOW to HIGH SDA transition, while SCL is HIGH.

**Device Addressing**

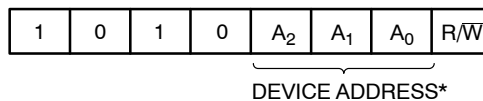
The Master addresses a Slave by creating a START condition and then broadcasting an 8-bit Slave address. For the CAT24C32, the first four bits of the Slave address are set to 1010 (Ah); the next three bits, A<sub>2</sub>, A<sub>1</sub> and A<sub>0</sub>, must match the logic state of the similarly named input pins. The devices in WLCSP (C5A and C4C) respond only to the Slave Address with A<sub>2</sub> A<sub>1</sub> A<sub>0</sub> = 0 0 0. The R/W bit tells the Slave whether the Master intends to read (1) or write (0) data (Figure 3).

**Acknowledge**

During the 9<sup>th</sup> clock cycle following every byte sent to the bus, the transmitter releases the SDA line, allowing the receiver to respond. The receiver then either acknowledges (ACK) by pulling SDA LOW, or does not acknowledge (NoACK) by letting SDA stay HIGH (Figure 4). Bus timing is illustrated in Figure 5.



**Figure 2. Start/Stop Timing**



\* The devices in WLCSP 4-ball and 5-ball respond only to Slave Address byte with A<sub>2</sub> A<sub>1</sub> A<sub>0</sub> = 0 0 0

**Figure 3. Slave Address Bits**

# CAT24C32

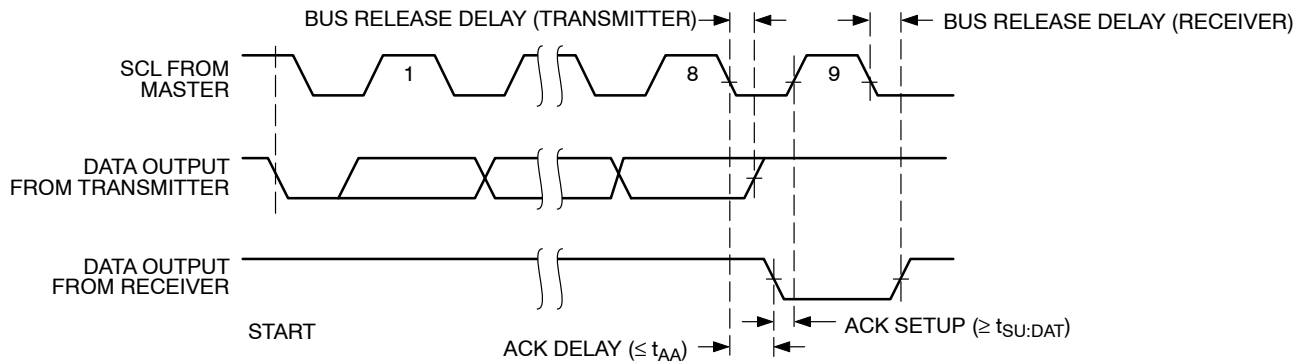


Figure 4. Acknowledge Timing

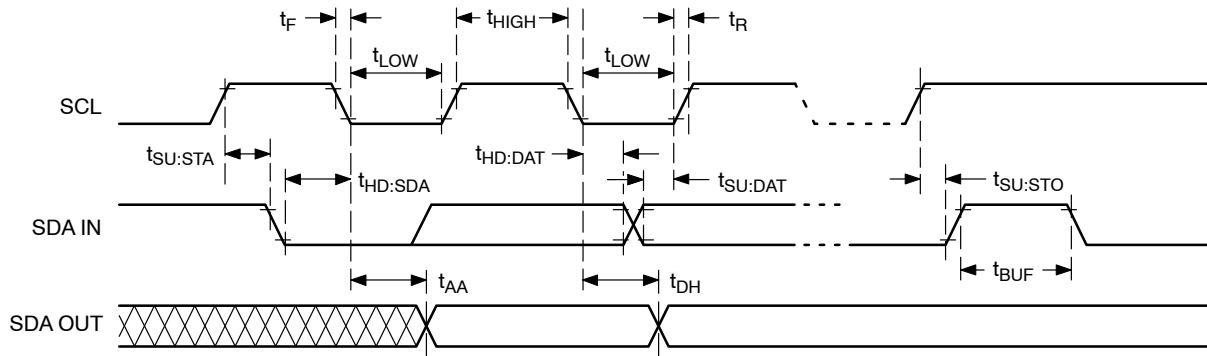


Figure 5. Bus Timing

## WRITE OPERATIONS

### Byte Write

To write data to memory, the Master creates a START condition on the bus and then broadcasts a Slave address with the  $R/\overline{W}$  bit set to '0'. The Master then sends two address bytes and a data byte and concludes the session by creating a STOP condition on the bus. The Slave responds with ACK after every byte sent by the Master (Figure 6). The STOP starts the internal Write cycle, and while this operation is in progress ( $t_{WR}$ ), the SDA output is tri-stated and the Slave does not acknowledge the Master (Figure 7).

### Page Write

The Byte Write operation can be expanded to Page Write, by sending more than one data byte to the Slave before issuing the STOP condition (Figure 8). Up to 32 distinct data bytes can be loaded into the internal Page Write Buffer starting at the address provided by the Master. The page address is latched, and as long as the Master keeps sending data, the internal byte address is incremented up to the end of page, where it then wraps around (within the page). New data can therefore replace data loaded earlier. Following the STOP, data loaded during the Page Write session will be written to memory in a single internal Write cycle ( $t_{WR}$ ).

### Acknowledge Polling

As soon (and as long) as internal Write is in progress, the Slave will not acknowledge the Master. This feature enables the Master to immediately follow-up with a new Read or Write request, rather than wait for the maximum specified Write time ( $t_{WR}$ ) to elapse. Upon receiving a NoACK response from the Slave, the Master simply repeats the request until the Slave responds with ACK.

### Hardware Write Protection

With the WP pin held HIGH, the entire memory is protected against Write operations. If the WP pin is left floating or is grounded, it has no impact on the Write operation. The state of the WP pin is strobed on the last falling edge of SCL immediately preceding the 1<sup>st</sup> data byte (Figure 9). If the WP pin is HIGH during the strobe interval, the Slave will not acknowledge the data byte and the Write request will be rejected.

### Delivery State

The CAT24C32 is shipped erased, i.e., all bytes are FFh.

# CAT24C32

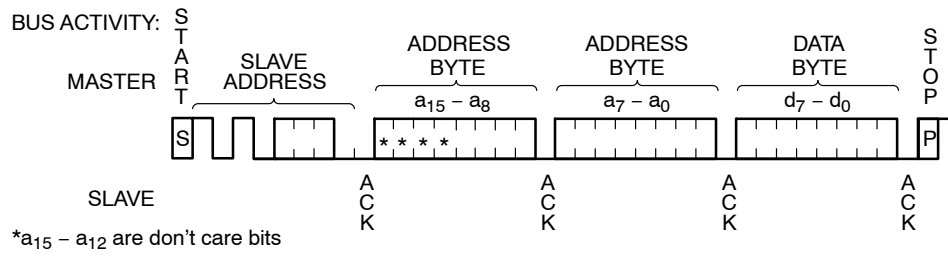


Figure 6. Byte Write Sequence

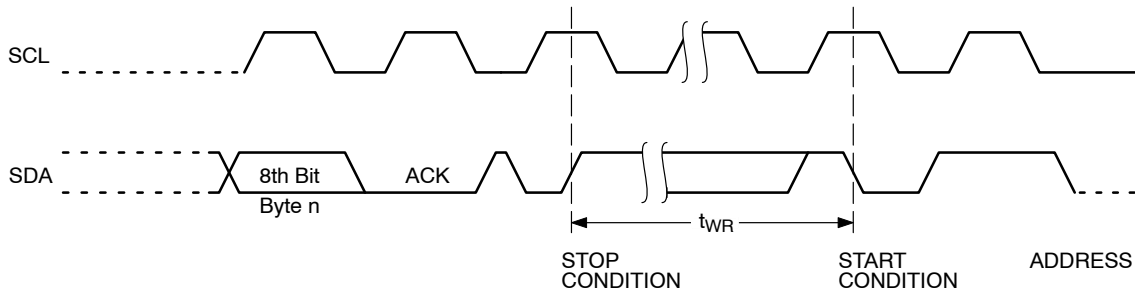


Figure 7. Write Cycle Timing

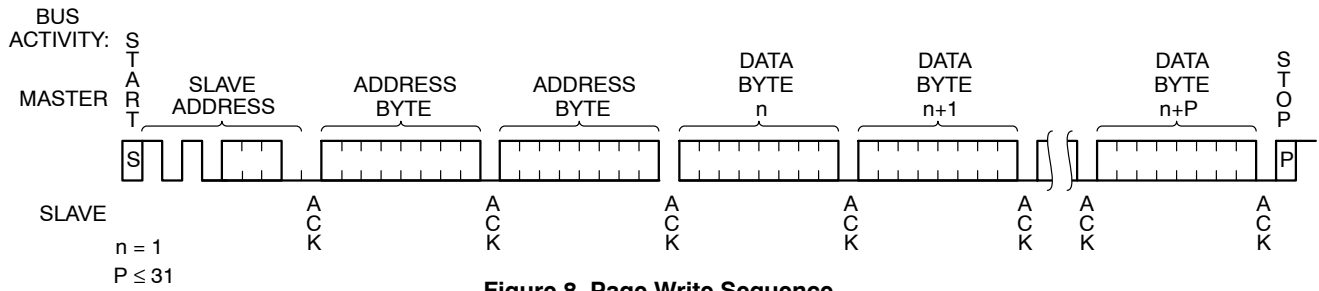


Figure 8. Page Write Sequence

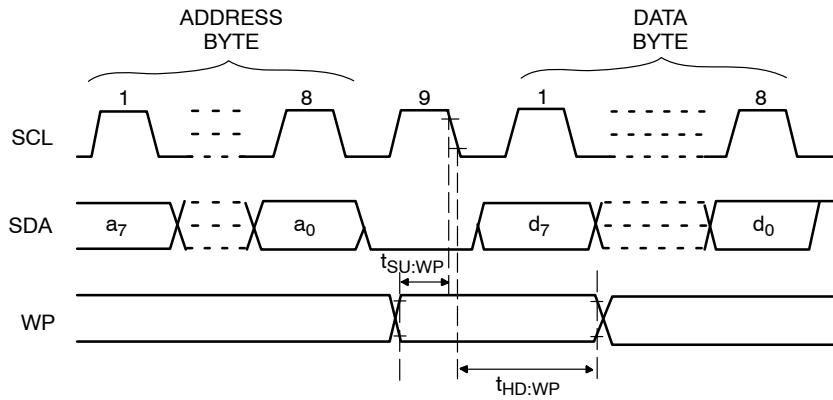


Figure 9. WP Timing

READ OPERATIONS

**Immediate Read**

To read data from memory, the Master creates a START condition on the bus and then broadcasts a Slave address with the  $R/\overline{W}$  bit set to '1'. The Slave responds with ACK after every byte sent by the Master and then sends out data residing at the selected address. After receiving the data, the Master responds with NoACK and terminates the session by creating a STOP condition on the bus (Figure 10). The Slave then returns to Standby mode.

**Selective Read**

To read data residing at a specific address, the selected address must first be loaded into the internal address register. This is done by starting a Byte Write sequence, whereby the Master creates a START condition, then broadcasts a Slave address with the  $R/\overline{W}$  bit set to '0' and then sends two address bytes to the Slave. Rather than completing the Byte

Write sequence by sending data, the Master then creates a START condition and broadcasts a Slave address with the  $R/\overline{W}$  bit set to '1'. The Slave responds with ACK after every byte sent by the Master and then sends out data residing at the selected address. After receiving the data, the Master responds with NoACK and then terminates the session by creating a STOP condition on the bus (Figure 11).

**Sequential Read**

If, after receiving data sent by the Slave, the Master responds with ACK, then the Slave will continue transmitting until the Master responds with NoACK followed by STOP (Figure 12). During Sequential Read the internal byte address is automatically incremented up to the end of memory, where it then wraps around to the beginning of memory.

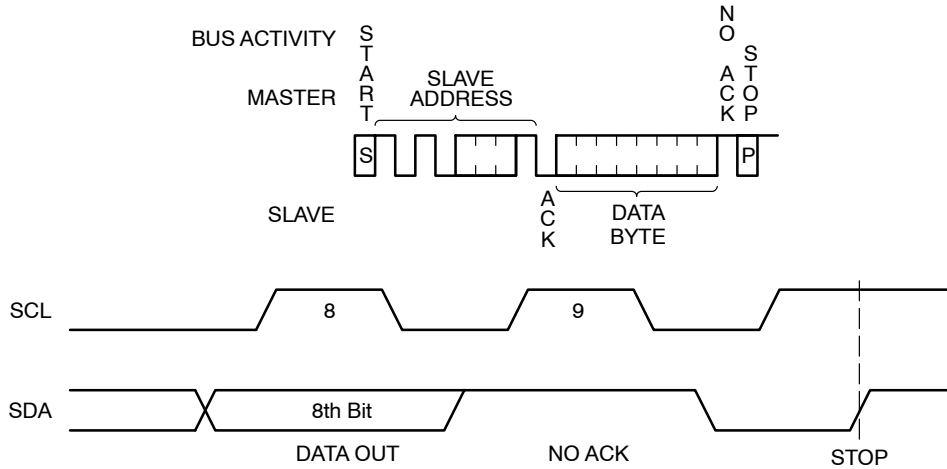


Figure 10. Immediate Read Sequence and Timing

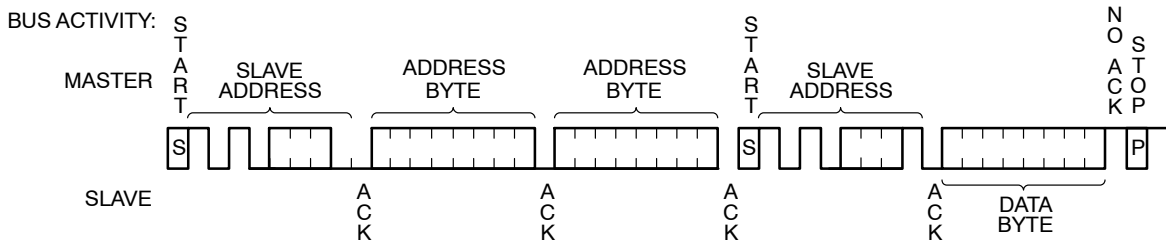


Figure 11. Selective Read Sequence

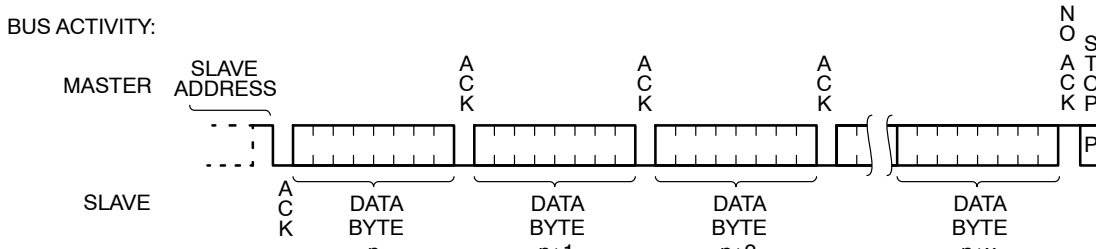


Figure 12. Sequential Read Sequence

## CAT24C32

### ORDERING INFORMATION

| Device Order Number                | Specific Device Marking | Package Type         | Temperature Range                  | Lead Finish | Shipping <sup>†</sup>           |
|------------------------------------|-------------------------|----------------------|------------------------------------|-------------|---------------------------------|
| CAT24C32HU4I-GT3                   | C5U                     | UDFN8                | I = Industrial<br>(-40°C to +85°C) | NiPdAu      | Tape & Reel, 3,000 Units / Reel |
| CAT24C32C5ATR                      | 2                       | WLCSP5               | I = Industrial<br>(-40°C to +85°C) | SnAgCu      | Tape & Reel, 5,000 Units / Reel |
| CAT24C32C5CTR                      | P                       | WLCSP5 with Die Coat | I = Industrial<br>(-40°C to +85°C) | SnAgCu      | Tape & Reel, 5,000 Units / Reel |
| CAT24C32C4CTR                      | B                       | WLCSP4 with Die Coat | I = Industrial<br>(-40°C to +85°C) | SnAg        | Tape & Reel, 5,000 Units / Reel |
| CAT24C32XI-T2<br>(Note 14)         | TBD                     | SOIC-8               | I = Industrial<br>(-40°C to +85°C) | Matte-Tin   | Tape & Reel, 2,000 Units / Reel |
| CAT24C32WI-GT3                     | 24C32F                  | SOIC-8,<br>JEDEC     | I = Industrial<br>(-40°C to +85°C) | NiPdAu      | Tape & Reel, 3,000 Units / Reel |
| CAT24C32YI-GT3                     | C32F                    | TSSOP-8              | I = Industrial<br>(-40°C to +85°C) | NiPdAu      | Tape & Reel, 3,000 Units / Reel |
| CAT24C32USI-T3<br>(In Development) | TBD                     | US8                  | I = Industrial<br>(-40°C to +85°C) | Matte-Tin   | Tape & Reel, 3,000 Units / Reel |

<sup>†</sup>For information on tape and reel specifications, including part orientation and tape sizes, please refer to our Tape and Reel Packaging Specifications Brochure, BRD8011/D.

10. All packages are RoHS-compliant (Lead-free, Halogen-free).

11. The standard lead finish is NiPdAu.

12. For information on tape and reel specifications, including part orientation and tape sizes, please refer to our Tape and Reel Packaging Specifications Brochure, BRD8011/D.

13. **Caution: The EEPROM devices delivered in WLCSP must never be exposed to ultraviolet light. When exposed to ultraviolet light the EEPROM cells lose their stored data.**

14. In development.

# MECHANICAL CASE OUTLINE

## PACKAGE DIMENSIONS

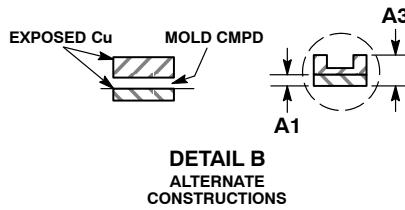
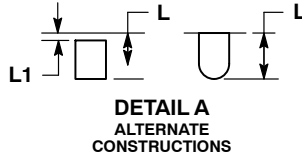
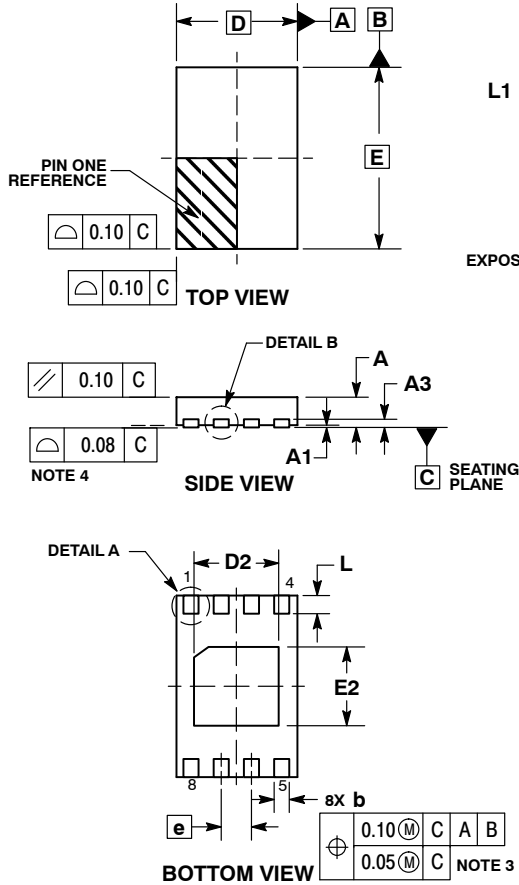
ON Semiconductor®



SCALE 2:1

### UDFN8, 2x3 EXTENDED PAD CASE 517AZ ISSUE A

DATE 23 MAR 2015

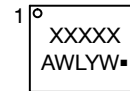


**NOTES:**

1. DIMENSIONING AND TOLERANCING PER ASME Y14.5M, 1994.
2. CONTROLLING DIMENSION: MILLIMETERS.
3. DIMENSION b APPLIES TO PLATED TERMINAL AND IS MEASURED BETWEEN 0.15 AND 0.25MM FROM THE TERMINAL TIP.
4. COPLANARITY APPLIES TO THE EXPOSED PAD AS WELL AS THE TERMINALS.

| DIM | MILLIMETERS |      |
|-----|-------------|------|
|     | MIN         | MAX  |
| A   | 0.45        | 0.55 |
| A1  | 0.00        | 0.05 |
| A3  | 0.13 REF    |      |
| b   | 0.20        | 0.30 |
| D   | 2.00 BSC    |      |
| D2  | 1.35        | 1.45 |
| E   | 3.00 BSC    |      |
| E2  | 1.25        | 1.35 |
| e   | 0.50 BSC    |      |
| L   | 0.25        | 0.35 |
| L1  | ---         | 0.15 |

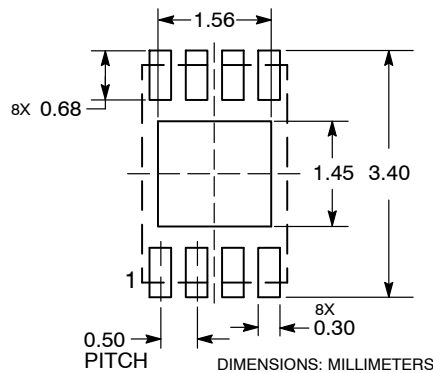
### GENERIC MARKING DIAGRAM\*



- XXXXX = Specific Device Code
- A = Assembly Location
- WL = Wafer Lot
- Y = Year
- W = Work Week
- = Pb-Free Package

\*This information is generic. Please refer to device data sheet for actual part marking. Pb-Free indicator, "G" or microdot "▪", may or may not be present.

### RECOMMENDED SOLDERING FOOTPRINT\*



\*For additional information on our Pb-Free strategy and soldering details, please download the ON Semiconductor Soldering and Mounting Techniques Reference Manual, SOLDERRM/D.

|                         |                                |  |
|-------------------------|--------------------------------|--|
| <b>DOCUMENT NUMBER:</b> | <b>98AON42552E</b>             | Electronic versions are uncontrolled except when accessed directly from the Document Repository. Printed versions are uncontrolled except when stamped "CONTROLLED COPY" in red. |
| <b>DESCRIPTION:</b>     | <b>UDFN8, 2X3 EXTENDED PAD</b> | <b>PAGE 1 OF 1</b>   |

ON Semiconductor and ON are trademarks of Semiconductor Components Industries, LLC dba ON Semiconductor or its subsidiaries in the United States and/or other countries. ON Semiconductor reserves the right to make changes without further notice to any products herein. ON Semiconductor makes no warranty, representation or guarantee regarding the suitability of its products for any particular purpose, nor does ON Semiconductor assume any liability arising out of the application or use of any product or circuit, and specifically disclaims any and all liability, including without limitation special, consequential or incidental damages. ON Semiconductor does not convey any license under its patent rights nor the rights of others.

# MECHANICAL CASE OUTLINE

## PACKAGE DIMENSIONS

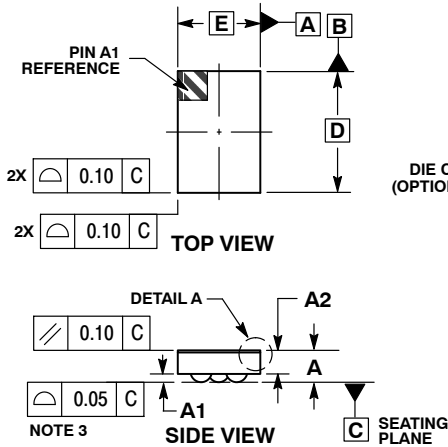
ON Semiconductor®



SCALE 4:1

WLCSP5, 1.34x0.91  
CASE 567JQ  
ISSUE A

DATE 09 JUN 2015



- NOTES:
1. DIMENSIONING AND TOLERANCING PER ASME Y14.5M, 1994.
  2. CONTROLLING DIMENSION: MILLIMETERS.
  3. COPLANARITY APPLIES TO THE SPHERICAL CROWNS OF THE SOLDER BALLS.
  4. DIMENSION b IS MEASURED AT THE MAXIMUM BALL DIAMETER PARALLEL TO DATUM C.

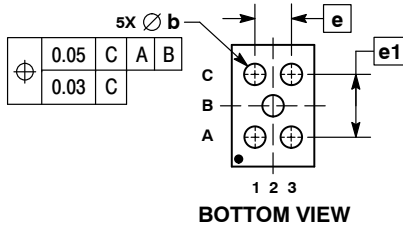
| MILLIMETERS |       |      |
|-------------|-------|------|
| DIM         | MIN   | MAX  |
| A           | ---   | 0.35 |
| A1          | 0.08  | 0.12 |
| A2          | 0.23  | REF  |
| A3          | 0.025 | REF  |
| b           | 0.16  | 0.20 |
| D           | 1.34  | BSC  |
| E           | 0.91  | BSC  |
| e           | 0.40  | BSC  |
| e1          | 0.693 | BSC  |

### GENERIC MARKING DIAGRAM\*

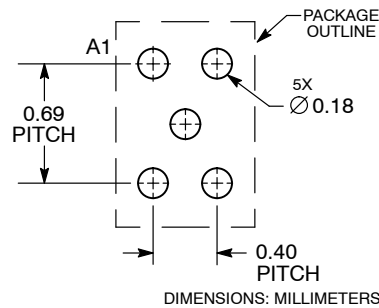


- X = Specific Device Code
- Y = Year
- W = Work Week

\*This information is generic. Please refer to device data sheet for actual part marking. Pb-Free indicator, "G" or microdot "▪", may or may not be present.



### RECOMMENDED SOLDERING FOOTPRINT\*



\*For additional information on our Pb-Free strategy and soldering details, please download the ON Semiconductor Soldering and Mounting Techniques Reference Manual, SOLDERRM/D.

|                  |                   |  |
|------------------|-------------------|--|
| DOCUMENT NUMBER: | 98AON82067F       | Electronic versions are uncontrolled except when accessed directly from the Document Repository. Printed versions are uncontrolled except when stamped "CONTROLLED COPY" in red. |
| DESCRIPTION:     | WLCSP5, 1.34X0.91 | PAGE 1 OF 1  |

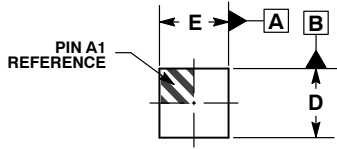
ON Semiconductor and are trademarks of Semiconductor Components Industries, LLC dba ON Semiconductor or its subsidiaries in the United States and/or other countries. ON Semiconductor reserves the right to make changes without further notice to any products herein. ON Semiconductor makes no warranty, representation or guarantee regarding the suitability of its products for any particular purpose, nor does ON Semiconductor assume any liability arising out of the application or use of any product or circuit, and specifically disclaims any and all liability, including without limitation special, consequential or incidental damages. ON Semiconductor does not convey any license under its patent rights nor the rights of others.



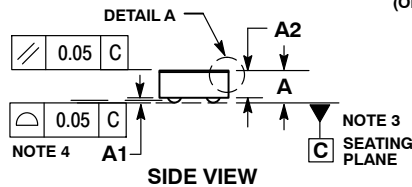
SCALE 4:1

**WLCSP4, 0.77x0.77**  
**CASE 567JY**  
**ISSUE C**

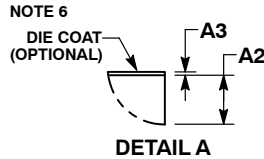
DATE 07 MAR 2017



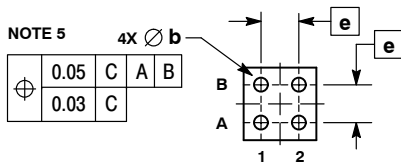
**TOP VIEW**



**SIDE VIEW**

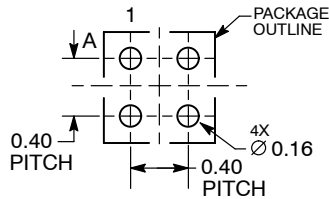


**DETAIL A**



**BOTTOM VIEW**

**RECOMMENDED SOLDERING FOOTPRINT\***



DIMENSIONS: MILLIMETERS

\*For additional information on our Pb-Free strategy and soldering details, please download the ON Semiconductor Soldering and Mounting Techniques Reference Manual, SOLDERRM/D.

NOTES:

1. DIMENSIONING AND TOLERANCING PER ASME Y14.5M, 1994.
2. CONTROLLING DIMENSION: MILLIMETERS.
3. DATUM C, THE SEATING PLANE, IS DEFINED BY THE SPHERICAL CROWNS OF THE SOLDER BALLS.
4. COPLANARITY APPLIES TO SPHERICAL CROWNS OF THE SOLDER BALLS.
5. DIMENSION b IS MEASURED AT THE MAXIMUM CONTACT BALL DIAMETER PARALLEL TO DATUM C.
6. BACKSIDE COATING IS OPTIONAL.

| MILLIMETERS |           |       |      |
|-------------|-----------|-------|------|
| DIM         | MIN       | NOM   | MAX  |
| A           | ---       | ---   | 0.35 |
| A1          | 0.04      | 0.06  | 0.08 |
| A2          | 0.23 REF  |       |      |
| A3          | 0.025 REF |       |      |
| b           | 0.15      | 0.155 | 0.16 |
| D           | 0.75      | 0.77  | 0.79 |
| E           | 0.75      | 0.77  | 0.79 |
| e           | 0.40 BSC  |       |      |

**GENERIC MARKING DIAGRAM\***



- X = Specific Device Code
- Y = Year
- W = Work Week

\*This information is generic. Please refer to device data sheet for actual part marking. Pb-Free indicator, "G" or microdot "•", may or may not be present.

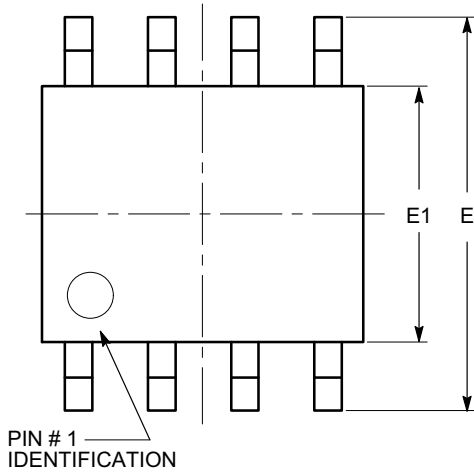
|                         |                          |  |
|-------------------------|--------------------------|--|
| <b>DOCUMENT NUMBER:</b> | <b>98AON85186F</b>       | Electronic versions are uncontrolled except when accessed directly from the Document Repository. Printed versions are uncontrolled except when stamped "CONTROLLED COPY" in red. |
| <b>DESCRIPTION:</b>     | <b>WLCSP4, 0.77X0.77</b> | <b>PAGE 1 OF 1</b>   |

ON Semiconductor and are trademarks of Semiconductor Components Industries, LLC dba ON Semiconductor or its subsidiaries in the United States and/or other countries. ON Semiconductor reserves the right to make changes without further notice to any products herein. ON Semiconductor makes no warranty, representation or guarantee regarding the suitability of its products for any particular purpose, nor does ON Semiconductor assume any liability arising out of the application or use of any product or circuit, and specifically disclaims any and all liability, including without limitation special, consequential or incidental damages. ON Semiconductor does not convey any license under its patent rights nor the rights of others.

**MECHANICAL CASE OUTLINE**  
**PACKAGE DIMENSIONS**

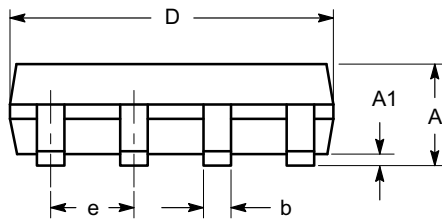
SOIC 8, 150 mils  
CASE 751BD-01  
ISSUE O

DATE 19 DEC 2008

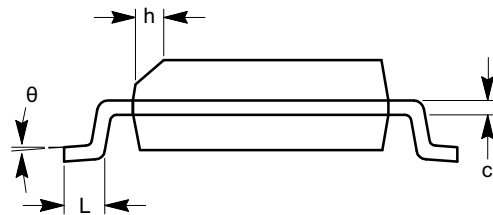


TOP VIEW

| SYMBOL   | MIN      | NOM | MAX  |
|----------|----------|-----|------|
| A        | 1.35     |     | 1.75 |
| A1       | 0.10     |     | 0.25 |
| b        | 0.33     |     | 0.51 |
| c        | 0.19     |     | 0.25 |
| D        | 4.80     |     | 5.00 |
| E        | 5.80     |     | 6.20 |
| E1       | 3.80     |     | 4.00 |
| e        | 1.27 BSC |     |      |
| h        | 0.25     |     | 0.50 |
| L        | 0.40     |     | 1.27 |
| $\theta$ | 0°       |     | 8°   |



SIDE VIEW



END VIEW

**Notes:**

- (1) All dimensions are in millimeters. Angles in degrees.
- (2) Complies with JEDEC MS-012.

|                         |                                  |  |
|-------------------------|----------------------------------|--|
| <b>DOCUMENT NUMBER:</b> | <b>98AON34272E</b>               | Electronic versions are uncontrolled except when accessed directly from the Document Repository. Printed versions are uncontrolled except when stamped "CONTROLLED COPY" in red. |
| <b>STATUS:</b>          | <b>ON SEMICONDUCTOR STANDARD</b> |  |
| <b>REFERENCE:</b>       |                                  |  |
| <b>DESCRIPTION:</b>     | <b>SOIC 8, 150 MILS</b>          | <b>PAGE 1 OF 2</b>   |



# MECHANICAL CASE OUTLINE

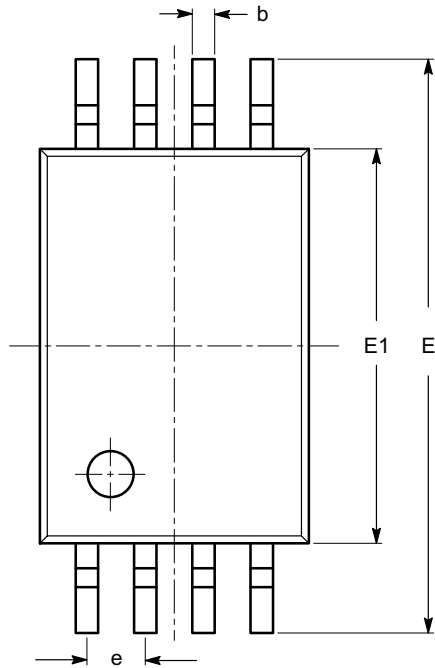
## PACKAGE DIMENSIONS

ON Semiconductor®



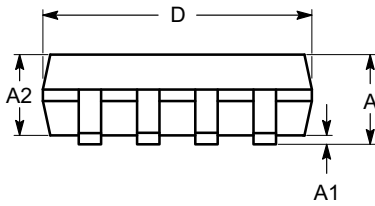
TSSOP8, 4.4x3  
CASE 948AL-01  
ISSUE O

DATE 19 DEC 2008

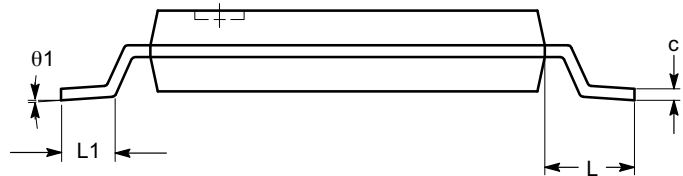


| SYMBOL   | MIN      | NOM  | MAX  |
|----------|----------|------|------|
| A        |          |      | 1.20 |
| A1       | 0.05     |      | 0.15 |
| A2       | 0.80     | 0.90 | 1.05 |
| b        | 0.19     |      | 0.30 |
| c        | 0.09     |      | 0.20 |
| D        | 2.90     | 3.00 | 3.10 |
| E        | 6.30     | 6.40 | 6.50 |
| E1       | 4.30     | 4.40 | 4.50 |
| e        | 0.65 BSC |      |      |
| L        | 1.00 REF |      |      |
| L1       | 0.50     | 0.60 | 0.75 |
| $\theta$ | 0°       |      | 8°   |

TOP VIEW



SIDE VIEW



END VIEW

**Notes:**

- (1) All dimensions are in millimeters. Angles in degrees.
- (2) Complies with JEDEC MO-153.

|                         |                           |  |
|-------------------------|---------------------------|--|
| <b>DOCUMENT NUMBER:</b> | 98AON34428E               | Electronic versions are uncontrolled except when accessed directly from the Document Repository. Printed versions are uncontrolled except when stamped "CONTROLLED COPY" in red. |
| <b>STATUS:</b>          | ON SEMICONDUCTOR STANDARD |  |
| <b>REFERENCE:</b>       |                           |  |
| <b>DESCRIPTION:</b>     | TSSOP8, 4.4X3             | <b>PAGE 1 OF 2</b>   |



# MECHANICAL CASE OUTLINE

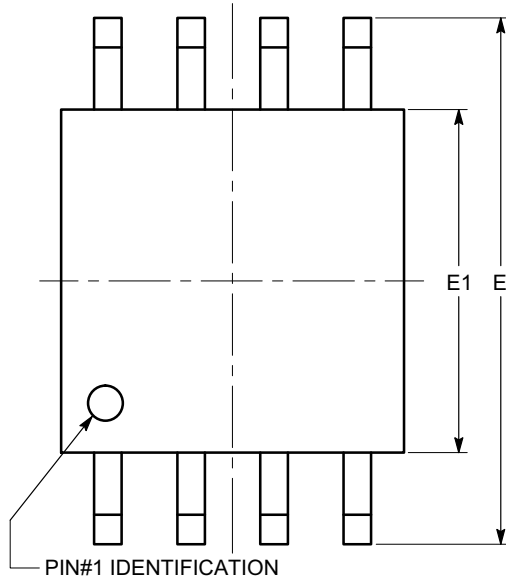
## PACKAGE DIMENSIONS

ON Semiconductor®



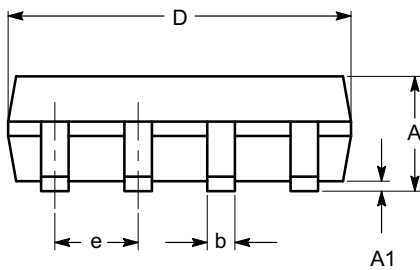
SOIC-8, 208 mils  
CASE 751BE-01  
ISSUE O

DATE 19 DEC 2008

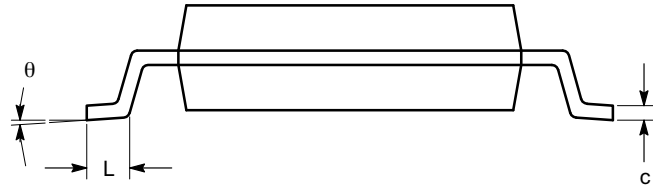


TOP VIEW

| SYMBOL   | MIN      | NOM | MAX  |
|----------|----------|-----|------|
| A        |          |     | 2.03 |
| A1       | 0.05     |     | 0.25 |
| b        | 0.36     |     | 0.48 |
| c        | 0.19     |     | 0.25 |
| D        | 5.13     |     | 5.33 |
| E        | 7.75     |     | 8.26 |
| E1       | 5.13     |     | 5.38 |
| e        | 1.27 BSC |     |      |
| L        | 0.51     |     | 0.76 |
| $\theta$ | 0°       |     | 8°   |



SIDE VIEW




END VIEW

**Notes:**

- (1) All dimensions are in millimeters. Angles in degrees.
- (2) Complies with EIAJ EDR-7320.

|                         |                           |  |
|-------------------------|---------------------------|--|
| <b>DOCUMENT NUMBER:</b> | 98AON34273E               | Electronic versions are uncontrolled except when accessed directly from the Document Repository. Printed versions are uncontrolled except when stamped "CONTROLLED COPY" in red. |
| <b>STATUS:</b>          | ON SEMICONDUCTOR STANDARD |  |
| <b>REFERENCE:</b>       |                           |  |
| <b>DESCRIPTION:</b>     | SOIC-8, 208 MILS          | <b>PAGE 1 OF 2</b>   |



ON Semiconductor and  are trademarks of Semiconductor Components Industries, LLC dba ON Semiconductor or its subsidiaries in the United States and/or other countries. ON Semiconductor owns the rights to a number of patents, trademarks, copyrights, trade secrets, and other intellectual property. A listing of ON Semiconductor's product/patent coverage may be accessed at [www.onsemi.com/site/pdf/Patent-Marking.pdf](http://www.onsemi.com/site/pdf/Patent-Marking.pdf). ON Semiconductor reserves the right to make changes without further notice to any products herein. ON Semiconductor makes no warranty, representation or guarantee regarding the suitability of its products for any particular purpose, nor does ON Semiconductor assume any liability arising out of the application or use of any product or circuit, and specifically disclaims any and all liability, including without limitation special, consequential or incidental damages. Buyer is responsible for its products and applications using ON Semiconductor products, including compliance with all laws, regulations and safety requirements or standards, regardless of any support or applications information provided by ON Semiconductor. "Typical" parameters which may be provided in ON Semiconductor data sheets and/or specifications can and do vary in different applications and actual performance may vary over time. All operating parameters, including "Typicals" must be validated for each customer application by customer's technical experts. ON Semiconductor does not convey any license under its patent rights nor the rights of others. ON Semiconductor products are not designed, intended, or authorized for use as a critical component in life support systems or any FDA Class 3 medical devices or medical devices with a same or similar classification in a foreign jurisdiction or any devices intended for implantation in the human body. Should Buyer purchase or use ON Semiconductor products for any such unintended or unauthorized application, Buyer shall indemnify and hold ON Semiconductor and its officers, employees, subsidiaries, affiliates, and distributors harmless against all claims, costs, damages, and expenses, and reasonable attorney fees arising out of, directly or indirectly, any claim of personal injury or death associated with such unintended or unauthorized use, even if such claim alleges that ON Semiconductor was negligent regarding the design or manufacture of the part. ON Semiconductor is an Equal Opportunity/Affirmative Action Employer. This literature is subject to all applicable copyright laws and is not for resale in any manner.

## PUBLICATION ORDERING INFORMATION

### LITERATURE FULFILLMENT:

Literature Distribution Center for ON Semiconductor  
19521 E. 32nd Pkwy, Aurora, Colorado 80011 USA  
**Phone:** 303-675-2175 or 800-344-3860 Toll Free USA/Canada  
**Fax:** 303-675-2176 or 800-344-3867 Toll Free USA/Canada  
**Email:** [orderlit@onsemi.com](mailto:orderlit@onsemi.com)

**N. American Technical Support:** 800-282-9855 Toll Free  
USA/Canada  
**Europe, Middle East and Africa Technical Support:**  
Phone: 421 33 790 2910

**ON Semiconductor Website:** [www.onsemi.com](http://www.onsemi.com)

**Order Literature:** <http://www.onsemi.com/orderlit>

For additional information, please contact your local  
Sales Representative

## Looking for pricing, stock, or lifecycle information?

Click below to explore more details on WIN SOURCE:

 [View CAT24C32HU3I-GT3 on WIN SOURCE](#)

 [ON Semiconductor](#) Information

## Optimize Your Supply Chain with WIN SOURCE Solutions

-  Global Sourcing Solution
-  Obsolete Management
-  Cost Control Management
-  Shortage Management
-  Alternative Solution
-  Excess Inventory Management