



THE DATASHEET OF
292250-7



3

2

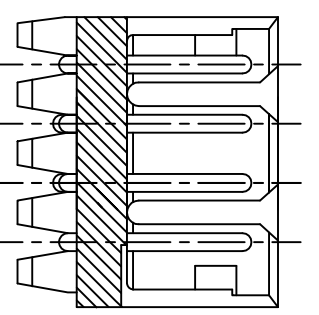
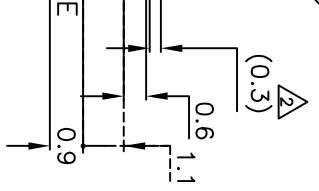
1

LOC FB 00
DIST 00

P	LTR	DESCRIPTION	DATE	DWN	APVD
P1	REVISED	ECR-14-006619	15MAY14	T.Q	W.H

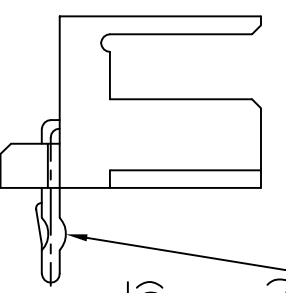
REVISIONS

KINKING FORMING
4 PLACES



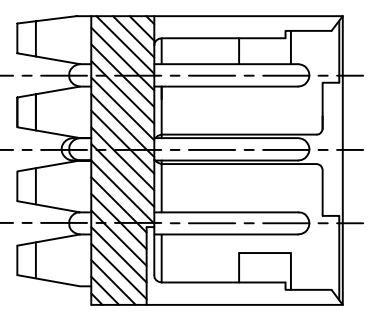
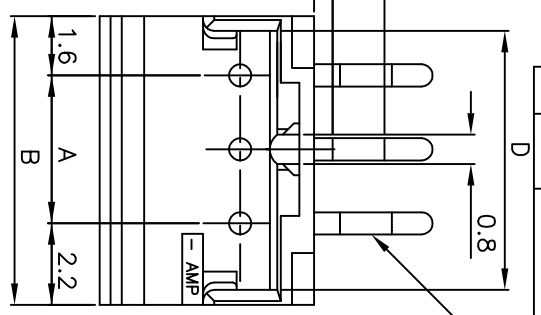
TRADE MARK
SECT E-E

KINKING FORMING
ALL PLACES



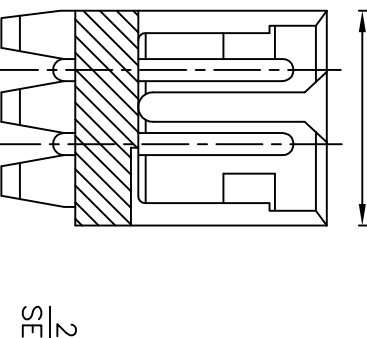
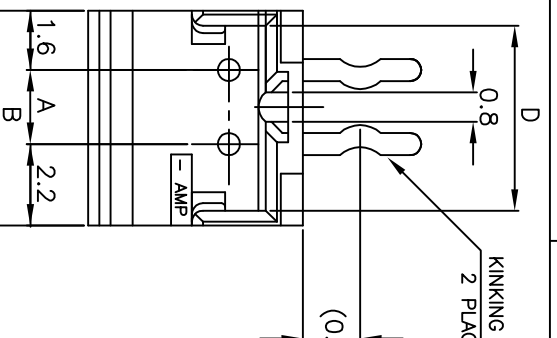
4 Pos.
(SCALE 4-1)

KINKING FORMING
3 PLACES



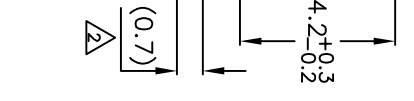
3 Pos.
SECT E-E

KINKING FORMING
2 PLACES

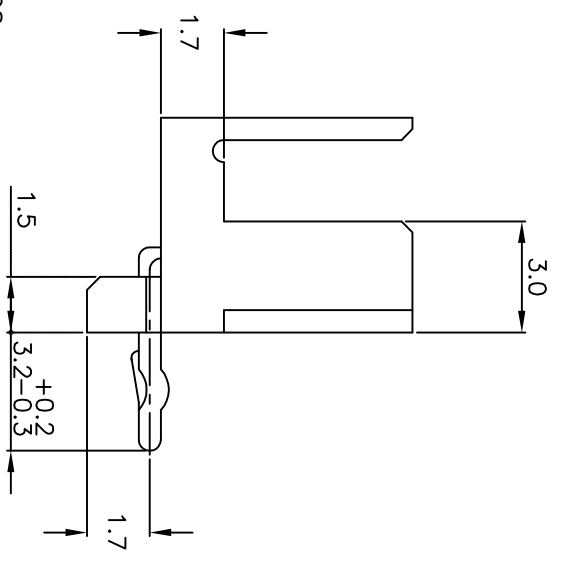


2 Pos.
SECT E-E

CIRCUIT NO.1



5~15 Pos.



NOTES:

1. MATERIAL: HOUSING - NYLON 66 (UL94V-0)
POST - TIN BRASS
2. 12 POS ~ 15 POS ONLY

(MILLED HOLE)

THIS DRAWING IS A CONTROLLED DOCUMENT.

DIMENSIONS: mm

TOLERANCES UNLESS OTHERWISE SPECIFIED:
±0.2

6-PLC	±
4-PLC	±
2-PLC	±
3-PLC	±
4-PLC	±
4-PLC ANGLES	±

MATERIAL SEE NOTE



TE Connectivity

PART NO.	BLACK	YELLOW	BLUE	NATURAL	Pos.	A	B	C	D
7-292250-5	5	3	4	1	15	28	31.8	25.2	31.0
5-292250-5	5	4	3	1	14	26	29.8	23.2	29.0
3-292250-5	5	3	3	1	14	26	29.8	23.2	29.0
1-292250-5	5	4	3	1	14	26	29.8	23.2	29.0
7-292250-4	5	4	3	1	14	26	29.8	23.2	29.0
5-292250-4	5	3	3	1	13	24	27.8	21.2	27.0
3-292250-4	5	3	3	1	13	24	27.8	21.2	27.0
1-292250-4	5	2	3	1	12	22	25.8	19.2	25.0
7-292250-3	5	2	3	1	12	22	25.8	19.2	25.0
5-292250-3	5	1	3	1	11	20	23.8	17.2	23.0
3-292250-3	5	1	3	1	11	20	23.8	17.2	23.0
1-292250-3	5	0	3	1	10	18	21.8	15.2	21.0
7-292250-2	4	2	2	1	9	16	19.8	13.2	19.0
5-292250-2	4	2	2	1	9	16	19.8	13.2	19.0
3-292250-2	4	2	2	1	8	14	17.8	11.2	17.0
1-292250-2	4	2	2	1	8	14	17.8	11.2	17.0
7-292250-1	4	2	2	1	7	12	15.8	9.2	15.0
5-292250-1	4	2	2	1	7	12	15.8	9.2	15.0
3-292250-1	4	2	2	1	6	10	13.8	7.2	13.0
1-292250-1	4	2	2	1	6	10	13.8	7.2	13.0
7-292250-0	4	2	2	1	5	8	11.8	5.2	11.0
5-292250-0	4	2	2	1	5	8	11.8	5.2	11.0
3-292250-0	4	2	2	1	4	6	9.8	3.2	9.0
1-292250-0	4	2	2	1	4	6	9.8	3.2	9.0
7-292250-0	4	2	2	1	3	4	7.8	—	7.0
5-292250-0	4	2	2	1	3	4	7.8	—	7.0
3-292250-0	4	2	2	1	2	2	5.8	—	5.0
1-292250-0	4	2	2	1	2	2	5.8	—	5.0

POST HEADER ASS'Y BOX-H DIP
(AMP CT CONNECTOR 2mm PITCH)

DWN	S.XU	31JAN03
CHK	S.YAO	31JAN03
APVD	T. SASAKI	31JAN03
PRODUCT SPEC	108-60016	
APPLICATION SPEC		
WEIGHT		

CUSTOMER DRAWING

SIZE A3
CAGE CODE 00779
DRAWING NO. G=292250

SCALE 5:1
SHEET 1 OF 1
REV P1

A


B

C

D





Looking for pricing, stock, or lifecycle information?

Click below to explore more details on WIN SOURCE:

 [View 292250-7](#) on WIN SOURCE

 [TE Connectivity](#) Information

Optimize Your Supply Chain with WIN SOURCE Solutions

-  Global Sourcing Solution
-  Obsolete Management
-  Cost Control Management
-  Shortage Management
-  Alternative Solution
-  Excess Inventory Management