

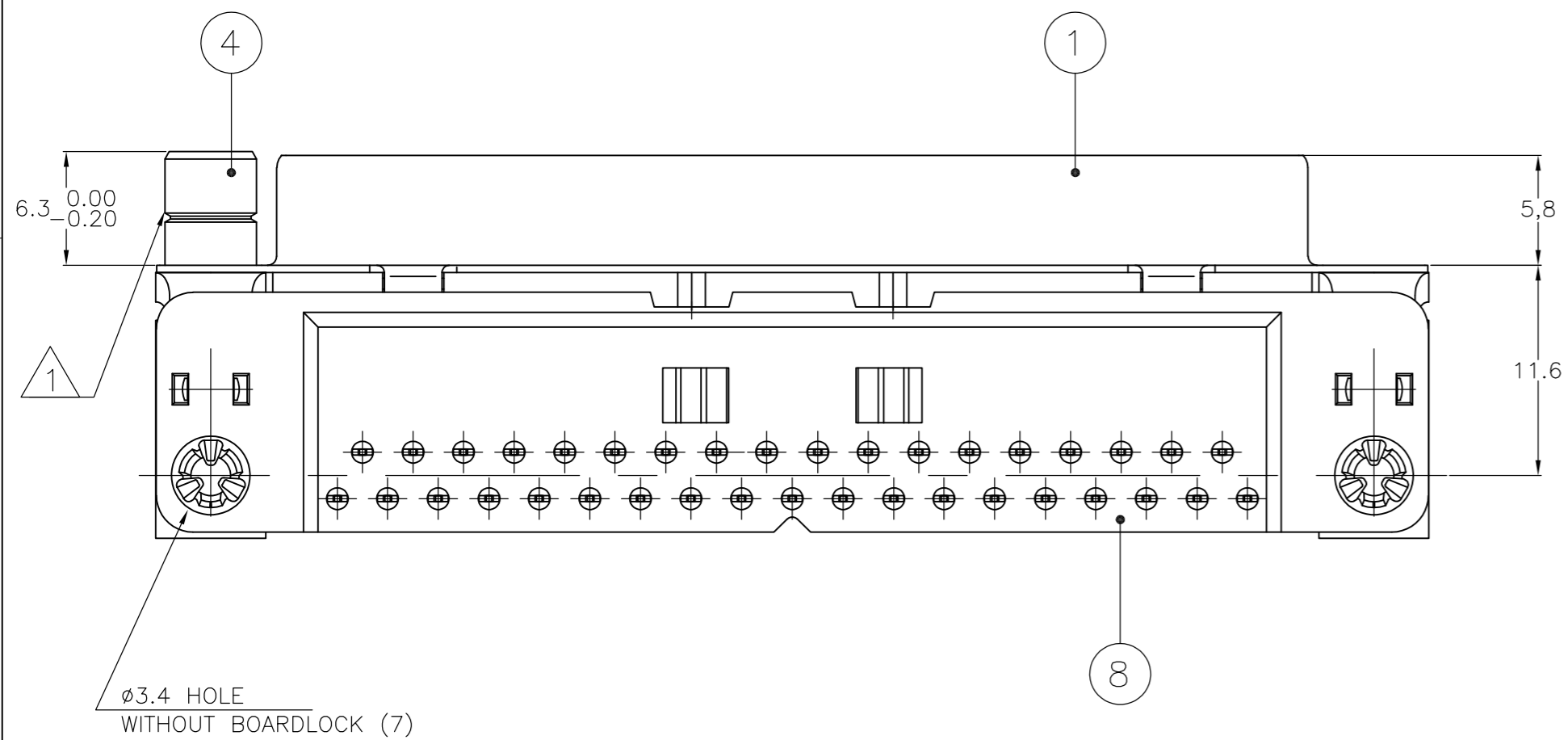
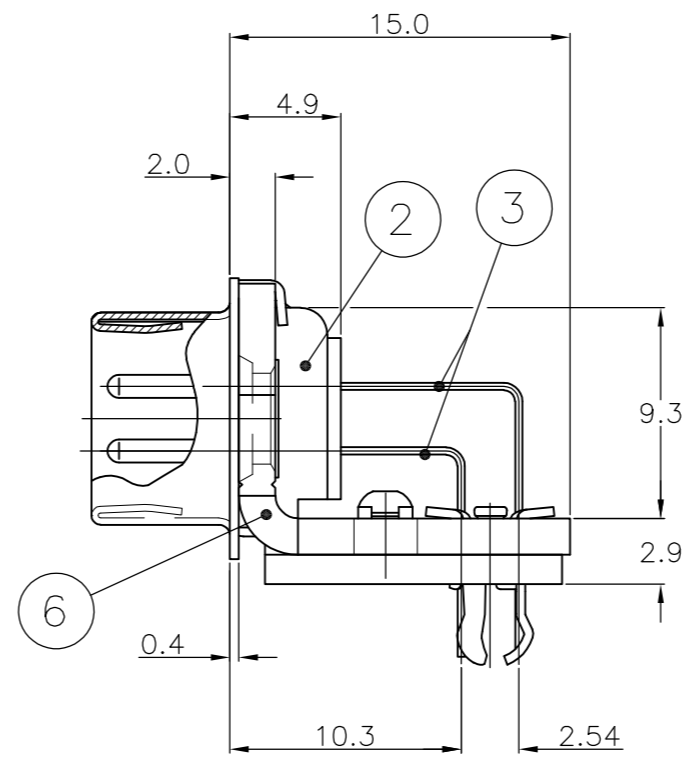
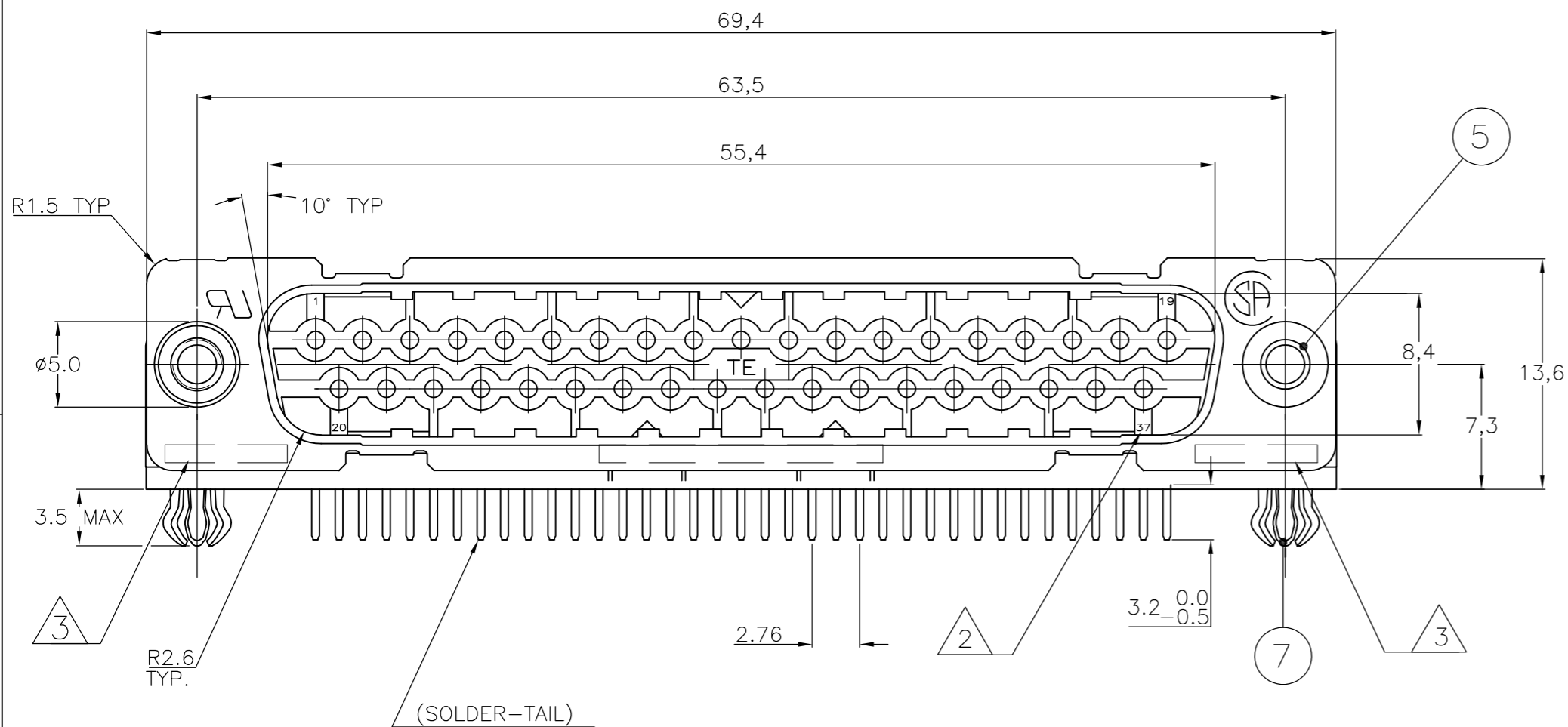


THE DATASHEET OF
1-338171-2



THIS DRAWING IS UNPUBLISHED. RELEASED FOR PUBLICATION
 © COPYRIGHT - By - ALL RIGHTS RESERVED.

LOC	DIST	REVISIONS					
GP	00	P	LTR	DESCRIPTION	DATE	DWN	APVD
		M		REVISED PER ECO-15-011825	14DEC2015	AP	DG



ACCESSORIES	ITEM NR.	DESCRIPTION OF ACCESSORY	2	2	2	2	2	2	2	2	2	2
	5	Ø3.1 INSERT	2									
	5	INSERT WITH INNER THREAD 4-40 UNC		2						2		
	5	INSERT WITH INNER THREAD M3			2						2	
	4	FEMALE SCREWLOCK WITH 4-40 UNC				2						2
	4	FEMALE SCREWLOCK WITH M3					2					2
	7	BOARDLOCK	2	2	2	2	2	2				

1 GROOVE INDICATES VERSION WITH 4-40 UNC INNER THREAD; WITHOUT GROOVE INDICATES VERSION WITH M3 INNER THREAD.

2 CAVITY IDENTIFICATION AT FRONT SIDE ONLY.

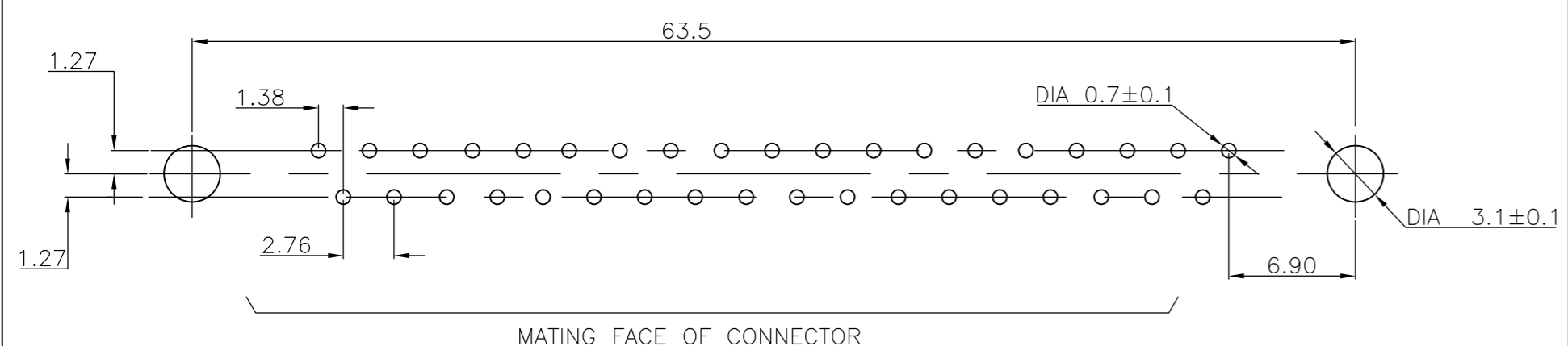
3 PART NUMBER AND DATE CODE.

4. SHELL HAS 2x12 GROUNDING SPRINGS; PITCH IS 3.6.

5. AIR AND CREEPAGE DISTANCES ACCORDING TO DIN 41652.

6. CONTACT FINISH: GOLD FLASH OVER PALLADIUM-NICKEL PLATE OR GOLD PLATE ON THE MATING SURFACES, TIN PLATE ON THE SOLDER-TAILS, NICKEL UNDERPLATE ON THE ENTIRE CONTACT. MATING SURFACE FINISH MEETS PERFORMANCE LEVEL 2 PER DIN 41652.

RECOMMENDED P.C. BOARD HOLE-LAYOUT




ITEM NO/MATERIAL :

1 SHELL	: BRIGHT TIN PLATED STEEL
2 HOUSING	: GLASS FILLED POLYESTER, COLOR : BLACK
3 CONTACTS	: PHOSPHOR BRONZE (PLATING : SEE NOTES)
4 FEMALE SCREWLOCK	: TIN PLATED STEEL (INNER THREAD 4-40 UNC OR M3)
5 INSERT	: TIN PLATED STEEL (INNER THREAD 4-40 UNC OR M3 OR Ø3.1 THRU-HOLE)
6 BRACKET	: TIN PLATED STEEL
7 BOARDLOCK	: TIN PLATED PHOSPHOR BRONZE
8 SOLDER-TAIL ALIGNMENT PLATE	: GLASS FILLED NYLON. COLOR : BLACK

THIS DRAWING IS A CONTROLLED DOCUMENT. DIMENSIONING AND TOLERANCING PER ASME Y14.5M-2009		DWN D. KESSLER 18JAN99	TE Connectivity	
DIMENSIONS: mm		CHK W. SOOMERS	NAME	
TOLERANCES UNLESS OTHERWISE SPECIFIED:		APVD	PRODUCT SPEC	
0 PLC ± -	1 PLC ± -	APVD	APPLICATION SPEC	
2 PLC ± -	3 PLC ± -	APVD	WEIGHT	
4 PLC ± -	ANGLES ± -	APVD	CUSTOMER DRAWING	
MATERIAL	FINISH	SCALE NTS	SHEET 1 OF 1	REV M

Looking for pricing, stock, or lifecycle information?

Click below to explore more details on WIN SOURCE:

 [View 1-338171-2 on WIN SOURCE](#)

 [TE Connectivity](#) Information

Optimize Your Supply Chain with WIN SOURCE Solutions

-  Global Sourcing Solution
-  Obsolete Management
-  Cost Control Management
-  Shortage Management
-  Alternative Solution
-  Excess Inventory Management