



**THE DATASHEET OF  
HM66A-03155R6NLF13**



# Shielded Surface Mount Power Inductors


Model HM66A

## Features and Benefits

- Operating Temperature Range -40°C to +85°C
- Operating Frequency Up to 3MHz
- RoHS Compliant



## Specifications @ 25°C

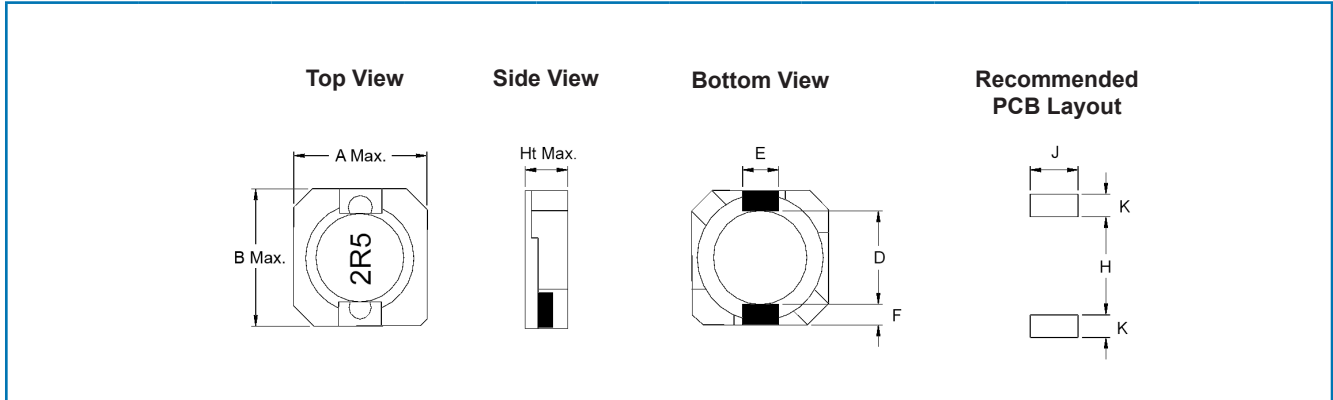
Case Size 1030/1050							
Part Number	Inductance <sup>(1)</sup> (μH)	DCR Max (Ω)	Rated <sup>(2)</sup> Current (A)	Part Number	Inductance <sup>(1)</sup> (μH)	DCR Max (Ω)	Rated Current (A)
HM66A-1030100NLF	10	58.1	2.70	HM66A-1050270NLF	27	65.4	2.24
HM66A-1030120NLF	12	72.1	2.25	HM66A-1050330NLF	33	81.4	1.88
HM66A-1030150NLF	15	86.5	2.22	HM66A-1050390NLF	39	103.1	1.70
HM66A-1030180NLF	18	116.1	1.90	HM66A-1050470NLF	47	122.1	1.56
HM66A-1030220NLF	22	145.4	1.78	HM66A-1050560NLF	56	144.8	1.39
HM66A-1030270NLF	27	175.9	1.63	HM66A-1050680NLF	68	193.0	1.36
HM66A-1030330NLF	33	213.4	1.46	HM66A-1050820NLF	82	219.4	1.20
HM66A-1030390NLF	39	268.9	1.32	HM66A-1050101NLF	100	247.0	1.09
HM66A-1030470NLF	47	298.6	1.18	HM66A-1050121NLF	120	298.4	1.00
HM66A-1030560NLF	56	335.8	1.10	HM66A-1050151NLF	150	355.1	0.91
HM66A-1030680NLF	68	451.3	1.04	HM66A-1050181NLF	180	393.4	0.84
HM66A-1030820NLF	82	513.8	0.94	HM66A-1050221NLF	220	483.8	0.75
HM66A-1030101NLF	100	700.0	0.84	HM66A-1050271NLF	270	632.5	0.68
HM66A-1030121NLF	120	765.0	0.76	HM66A-1050331NLF	330	780.0	0.60
HM66A-1030151NLF	150	876.3	0.70	HM66A-1050391NLF	390	957.5	0.57
HM66A-10501R5NLF	1.5	5.8	8.30	HM66A-1050471NLF	470	1220.4	0.50
HM66A-1050100NLF	10	25.8	3.45	HM66A-1050561NLF	560	1352.4	0.47
HM66A-1050120NLF	12	32.0	3.40	HM66A-1050681NLF	680	1519.2	0.43
HM66A-1050150NLF	15	40.0	2.83	HM66A-1050821NLF	820	1694.4	0.39
HM66A-1050180NLF	18	46.0	2.62	HM66A-1050102NLF	1000	1946.4	0.35
HM66A-1050220NLF	22	58.5	2.44				

### General Note

TT Electronics reserves the right to make changes in product specification without notice or liability. All information is subject to TT Electronics' own data and is considered accurate at time of going to print.

## Model HM66A

### Outline Dimensions (mm)



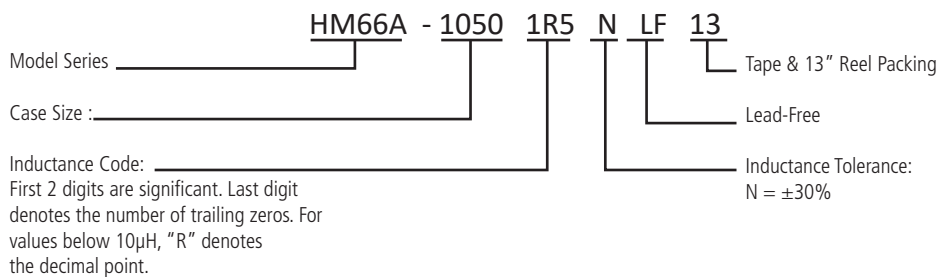
Case Size	A	B	Ht	D	E	F	H	J	K
1030	10.3	10.5	3.0	7.7	3.0	1.2	7.3	3.6	1.7
1050	10.3	10.5	5.0	7.7	3.0	1.2	7.3	3.6	1.7

- Notes: (1) Inductance is measured at 100 kHz, 0.1 Vac without DC current.  
 (2) The rated current is the approximate DC current at which the inductance will be decreased by 25% from its initial (zero DC) value.

### Packaging

Tape & Reel			
Reel:	Diameter:	=	13" (330.2mm)
	Capacity:	Case size 1050	= 500 Units
Standard		Case size 1030	= 1000 Units

### Ordering Information





#### General Note

TT Electronics reserves the right to make changes in product specification without notice or liability. All information is subject to TT Electronics' own data and is considered accurate at time of going to print.

## Looking for pricing, stock, or lifecycle information?

Click below to explore more details on WIN SOURCE:

-  [View HM66A-03155R6NLF13 on WIN SOURCE](#)
-  [TT Electronics Information](#)

## Optimize Your Supply Chain with WIN SOURCE Solutions

-  Global Sourcing Solution
-  Obsolete Management
-  Cost Control Management
-  Shortage Management
-  Alternative Solution
-  Excess Inventory Management