



**THE DATASHEET OF
A1287JFGR**



SCREW- OR HINGE-COVER WITH QUICK-RELEASE LATCH, TYPE 4X

INDUSTRY STANDARDS

Mounting brackets required to meet UL/CSA external mounting requirements.

UL 508A Listed; Type 3, 3R, 4, 4X, 12, 13; File No. E61997
 cUL Listed per CSA C22.2 No 94; Type 3, 3R, 4, 4X, 12, 13;
 File No. E61997
 Enclosure flammability evaluated per UL 508A
 Window flammability evaluated per UL 508A

NEMA/EEMAC Type 3, 3R, 4, 4X, 12, 13

CSA File No. 42186: Type 3R, 4, 4X, 12

IEC 60529, IP66

Meets NEMA Type 3RX requirements

APPLICATION

Able to withstand harsh environments, these small enclosures feature a simple, traditional non-metallic design that is suitable for a broad range of applications.

SPECIFICATIONS

- Compression-molded fiberglass material has excellent temperature and chemical resistance qualities and exhibits outstanding physical properties
- Fiberglass material is easily punched, drilled, filed or sawed
- Seamless foam-in-place gasket assures water-tight and dust-tight seal
- Threaded internal bosses provided for mounting optional panels and terminal block kits

- Scratch-resistant polycarbonate windows are permanently bonded in place
- Screw-cover enclosures have easily removable covers attached to body with internal plated steel hinges. Cover securely fastens to the body with four captivated Type 316 stainless steel cover screws.
- Enclosures with quick-release latches have corrosion-resistant polyester hinges and polyester latches with a Type 316L stainless steel bail. Attached with Type 316 stainless steel screws. A Type 316L stainless steel padlock hasp is furnished with each enclosure.
- Sealing washers are furnished with enclosure

FINISH

Fiberglass material is light-gray inside and out. Optional steel panels are painted white. Optional stainless steel, aluminum and composite panels are unpainted.

ACCESSORIES

See also *Accessories*.

H2OMIT® Vent Drains, Type 4X

HOL-SEALERS™ Non-Metallic Hole Seals

Panels for Junction Boxes

MODIFICATION AND CUSTOMIZATION

Hoffman excels at modifying and customizing products to your specifications. Contact your local Hoffman sales office or distributor for complete information.

BULLETIN: A50

Standard Product **Solid Cover with Screws**

Catalog Number	AxBxC in./mm	Inside Dimensions		Steel Panel	Aluminum Panel	Panel Size D x E in./mm	Mounting G x H in./mm	Overall L x W in./mm	F in./mm	J in./mm	K in./mm	V in./mm	X in./mm	Y in./mm
		A x B x C in./mm												
A645JFGR	6.00 x 4.00 x 5.00	5.50 x 4.00 x 4.94	No Panel	No Panel	No Panel	4.75 x 2.00	6.00 x 4.50	4.41	4.13	1.00	--	4.22	3.59	
	152 x 102 x 127	140 x 102 x 125			No Panel	121 x 51	152 x 114	112	105	25	--	107	91	
A845JFGR	8.00 x 4.00 x 5.00	7.50 x 4.00 x 4.94	A6P4	A6P4AL	4.88 x 2.88	6.75 x 2.00	8.00 x 4.50	4.41	4.13	1.00	0.31	6.22	3.59	
	203 x 102 x 127	191 x 102 x 125			124 x 73	171 x 51	203 x 114	112	105	25	8	158	91	
A865JFGR	8.00 x 6.00 x 5.00	7.50 x 6.00 x 5.19	A6P6	A6P6AL	4.88 x 4.88	6.75 x 4.00	8.00 x 6.50	4.66	4.38	1.00	0.31	6.22	5.59	
	203 x 152 x 127	191 x 152 x 132			124 x 124	171 x 102	203 x 165	118	111	25	8	158	142	
A1066JFGR	10.00 x 6.00 x 6.00	9.50 x 6.00 x 5.69	A8P6	A8P6AL	6.75 x 4.88	8.75 x 4.00	10.00 x 6.50	5.16	4.63	1.25	0.25	8.12	5.50	
	254 x 152 x 152	241 x 152 x 145			171 x 124	222 x 102	254 x 165	131	118	32	6	206	140	
A1287JFGR	12.00 x 8.00 x 7.00	11.50 x 8.00 x 6.69	A10P8	A10P8AL	8.75 x 6.88	10.75 x 6.00	12.00 x 8.50	6.16	5.13	1.75	0.25	9.97	7.34	
	305 x 203 x 178	292 x 203 x 170			222 x 175	273 x 152	305 x 216	156	130	44	6	253	186	
A14107JFGR	14.00 x 10.00 x 7.00	13.50 x 10.00 x 7.19	A12P10	A12P10AL	10.75 x 8.88	12.75 x 8.00	14.00 x 10.50	6.66	5.63	1.75	0.25	11.97	9.34	
	356 x 254 x 178	343 x 254 x 183			273 x 226	324 x 203	356 x 267	169	143	44	6	304	237	
A16128JFGR	16.00 x 12.00 x 8.00	15.50 x 12.00 x 8.19	A14P12	A14P12AL	12.75 x 10.88	14.75 x 10.00	16.00 x 12.50	7.66	6.13	2.25	0.25	13.78	11.16	
	406 x 305 x 203	394 x 305 x 208			324 x 276	375 x 254	406 x 318	195	156	57	6	350	283	
A18149JFGR	18.00 x 14.00 x 9.00	17.50 x 14.00 x 8.69	A16P14	A16P14AL	14.75 x 12.88	16.75 x 12.00	18.00 x 14.50	8.16	6.63	2.25	0.25	15.78	13.16	
	457 x 356 x 229	445 x 356 x 221			375 x 327	425 x 305	457 x 368	207	168	57	6	401	334	

Purchase panels separately. Optional stainless steel, aluminum and composite material panels available for most sizes.

Standard Product **Solid Cover with Quick-Release Latches**

Catalog Number	AxBxC in./mm	Inside Dimensions		Steel Panel	Aluminum Panel	Panel Size D x E in./mm	Mounting G x H in./mm	Overall L x W in./mm	F in./mm	J in./mm	K in./mm	V in./mm	X in./mm	Y in./mm	Number of Latches
		A x B x C in./mm													
A645JFGQRR	6.00 x 4.00 x 5.00	5.50 x 4.00 x 5.02	No Panel	No Panel	No Panel	4.75 x 2.00	6.00 x 5.39	4.50	4.13	1.00	--	4.22	3.59	1	
	152 x 102 x 127	140 x 102 x 128			No Panel	121 x 51	152 x 137	114	105	25	--	107	91		
A845JFGQRR	8.00 x 4.00 x 5.00	7.50 x 4.00 x 5.02	A6P4	A6P4AL	4.88 x 2.88	6.75 x 2.00	8.00 x 5.39	4.50	4.13	1.00	0.31	6.22	3.59	1	
	203 x 102 x 127	191 x 102 x 128			124 x 73	171 x 51	203 x 137	114	105	25	8	158	91		
A865JFGQRR	8.00 x 6.00 x 5.00	7.50 x 6.00 x 5.28	A6P6	A6P6AL	4.88 x 4.88	6.75 x 4.00	8.00 x 7.39	4.75	4.38	1.00	0.31	6.22	5.59	2	
	203 x 152 x 127	191 x 152 x 134			124 x 124	171 x 102	203 x 188	121	111	25	8	158	142		
A1066JFGQRR	10.00 x 6.00 x 6.00	9.50 x 6.00 x 5.78	A8P6	A8P6AL	6.75 x 4.88	8.75 x 4.00	10.00 x 7.39	5.25	4.63	1.25	0.25	8.12	5.50	2	
	254 x 152 x 152	241 x 152 x 147			171 x 124	222 x 102	254 x 188	133	118	32	6	206	140		
A1287JFGQRR	12.00 x 8.00 x 7.00	11.50 x 8.00 x 6.78	A10P8	A10P8AL	8.75 x 6.88	10.75 x 6.00	12.00 x 9.39	6.25	5.13	1.75	0.25	9.97	7.34	2	
	305 x 203 x 178	292 x 203 x 172			222 x 175	273 x 152	305 x 239	159	130	44	6	253	186		
A14107JFGQRR	14.00 x 10.00 x 7.00	13.50 x 10.00 x 7.28	A12P10	A12P10AL	10.75 x 8.88	12.75 x 8.00	14.00 x 11.39	6.75	5.63	1.75	0.25	11.97	9.34	2	
	356 x 254 x 178	343 x 254 x 185			273 x 226	324 x 203	256 x 289	171	143	44	6	304	237		
A16128JFGQRR	16.00 x 12.00 x 8.00	15.50 x 12.00 x 8.28	A14P12	A14P12AL	12.75 x 10.88	14.75 x 10.00	16.00 x 13.39	7.75	6.13	2.25	0.25	13.78	11.16	2	
	406 x 305 x 203	394 x 305 x 210			324 x 276	375 x 254	406 x 340	197	156	57	6	350	283		
A18149JFGQRR	18.00 x 14.00 x 9.00	17.50 x 14.00 x 8.78	A16P14	A16P14AL	14.75 x 12.88	16.75 x 12.00	18.00 x 15.39	8.25	6.63	2.25	0.25	15.78	13.16	2	
	457 x 356 x 229	445 x 356 x 223			375 x 327	425 x 305	457 x 391	210	168	57	6	401	334		

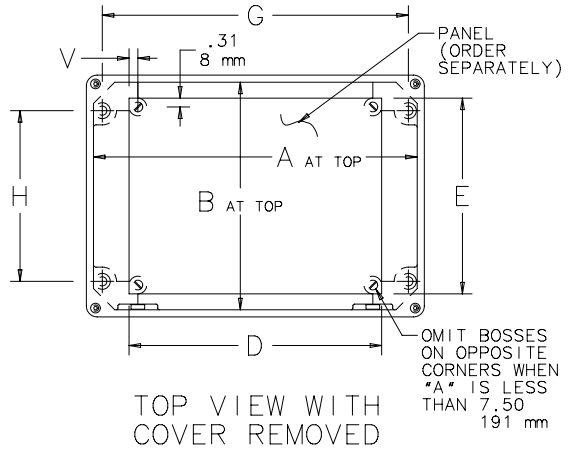
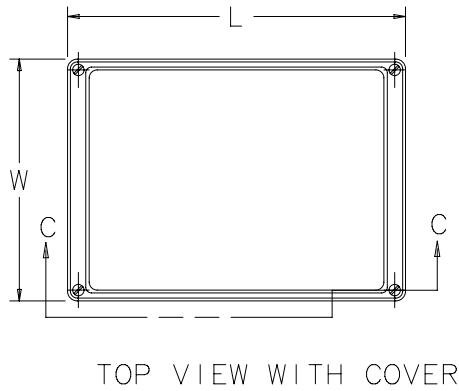
Purchase panels separately. Optional stainless steel, aluminum and composite material panels available for most sizes.

Standard Product **Window Cover with Quick-Release Latches**

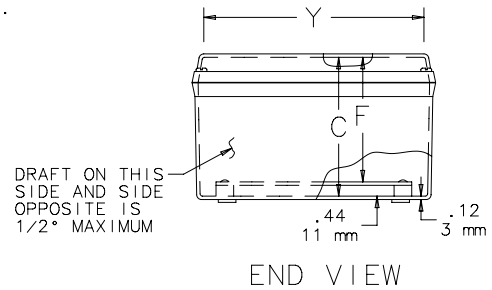
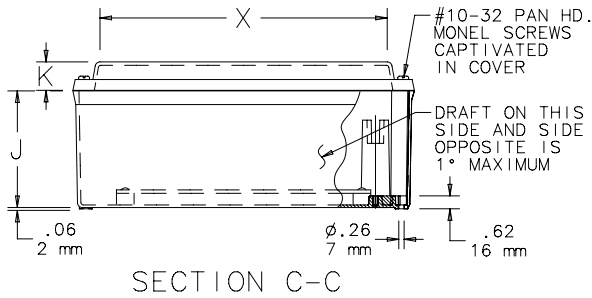
Catalog Number	AxBxC in./mm	Inside Dimensions		Steel Panel	Aluminum Panel	Panel Size D x E in./mm	Mounting G x H in./mm	Overall L x W in./mm	Window Size					Number of Latches
		A x B x C in./mm							M x N in./mm	F in./mm	J in./mm	K in./mm	V in./mm	
A865JFGQRPWR	8.00 x 6.00 x 5.00	7.50 x 6.00 x 5.03	A6P6	A6P6AL	4.88 x 4.88	6.75 x 4.00	8.00 x 7.39	4.55 x 4.00	4.52	4.38	1.00	0.31	1	
	203 x 152 x 127	191 x 152 x 128			124 x 124	171 x 102	203 x 188	116 x 102	115	111	25	8		
A1066JFGQRPWR	10.00 x 6.00 x 6.00	9.50 x 6.00 x 5.53	A8P6	A8P6AL	6.75 x 4.88	8.75 x 4.00	10.00 x 7.39	6.55 x 4.00	5.00	4.63	1.25	0.25	2	
	254 x 152 x 152	241 x 152 x 140			171 x 124	222 x 102	254 x 188	166 x 102	127	118	32	6		
A1287JFGQRPWR	12.00 x 8.00 x 7.00	11.50 x 8.00 x 6.53	A10P8	A10P8AL	8.75 x 6.88	10.75 x 6.00	12.00 x 9.39	8.25 x 5.84	6.00	5.13	1.75	0.25	2	
	305 x 203 x 178	292 x 203 x 166			222 x 175	273 x 152	305 x 239	210 x 148	152	130	44	6		
A14107JFGQRPWR	14.00 x 10.00 x 7.00	13.50 x 10.00 x 7.03	A12P10	A12P10AL	10.75 x 8.88	12.75 x 8.00	14.00 x 11.39	10.28 x 6.84	6.52	5.63	1.75	0.25	2	
	356 x 254 x 178	343 x 254 x 179			273 x 226	324 x 203	253 x 289	261 x 174	166	143	44	6		
A16128JFGQRPWR	16.00 x 12.00 x 8.00	15.50 x 12.00 x 8.03	A14P12	A14P12AL	12.75 x 10.88	14.75 x 10.00	16.00 x 13.39	12.34 x 9.10	7.52	6.13	2.25	0.25	2	
	406 x 305 x 203	394 x 305 x 204			324 x 276	375 x 254	406 x 340	313 x 231	191	156	57	6		
A18149JFGQRPWR	18.00 x 14.00 x 9.00	17.50 x 14.00 x 8.53	A16P14	A16P14AL	14.75 x 12.88	16.75 x 12.00	18.00 x 15.39	14.45 x 11.06	8.00	6.63	2.25	0.25	2	
	457 x 356 x 229	445 x 356 x 217			375 x 327	425 x 305	457 x 391	367 x 281	203	168	57	6		

Purchase panels separately. Optional stainless steel, aluminum and composite material panels available for most sizes.

Solid Screw Cover Enclosure

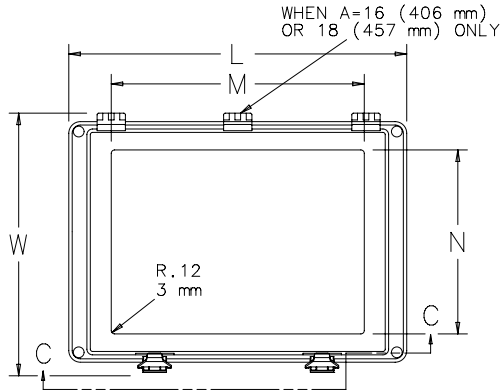


NOTE: Panel screws have #10-32 threads.

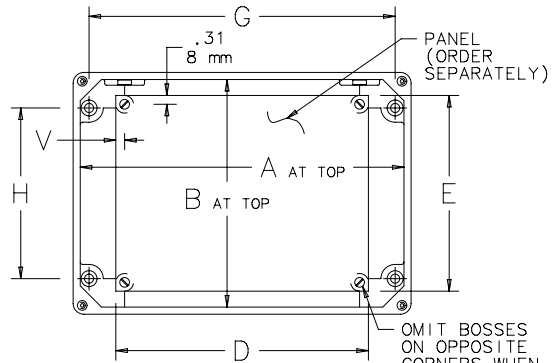


C2549-C

Quick-Release Solid Cover Enclosure and Window Cover Enclosure



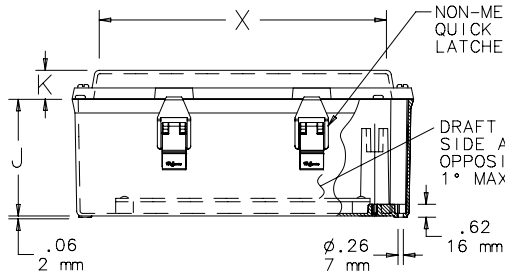
TOP VIEW WITH COVER



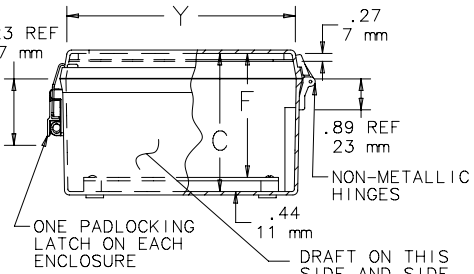
TOP VIEW WITH COVER REMOVED

OMIT BOSSES ON OPPOSITE CORNERS WHEN "A" IS LESS THAN 7.50 191 mm

NOTE: 1. Panel screws have #10-32 threads.
2. Hinged cover opens 200° maximum.



SECTION C-C



END VIEW

C2550-C

FIBERGLASS MOUNTING BRACKET KIT



Bracket is molded from fiberglass reinforced polyester. Kit includes four brackets, hardware and installation instructions. Mounting hole dimensions with mounting brackets installed are: $[G + 2.50 (64 \text{ mm})] \times [H + .50 (13 \text{ mm})]$
See *Screw- or Hinged-Cover with Quick-Release Latch, Type 4X* tables for G and H dimensions.

BULLETIN: A50Y

Catalog Number
A50MFKR

Looking for pricing, stock, or lifecycle information?

Click below to explore more details on WIN SOURCE:

- ⊖ [View A1287JFGR on WIN SOURCE](#)
- ⊖ [Hoffman Enclosures, Inc. Information](#)

Optimize Your Supply Chain with WIN SOURCE Solutions

- ✓ Global Sourcing Solution
- ✓ Obsolete Management
- ✓ Cost Control Management
- ✓ Shortage Management
- ✓ Alternative Solution
- ✓ Excess Inventory Management