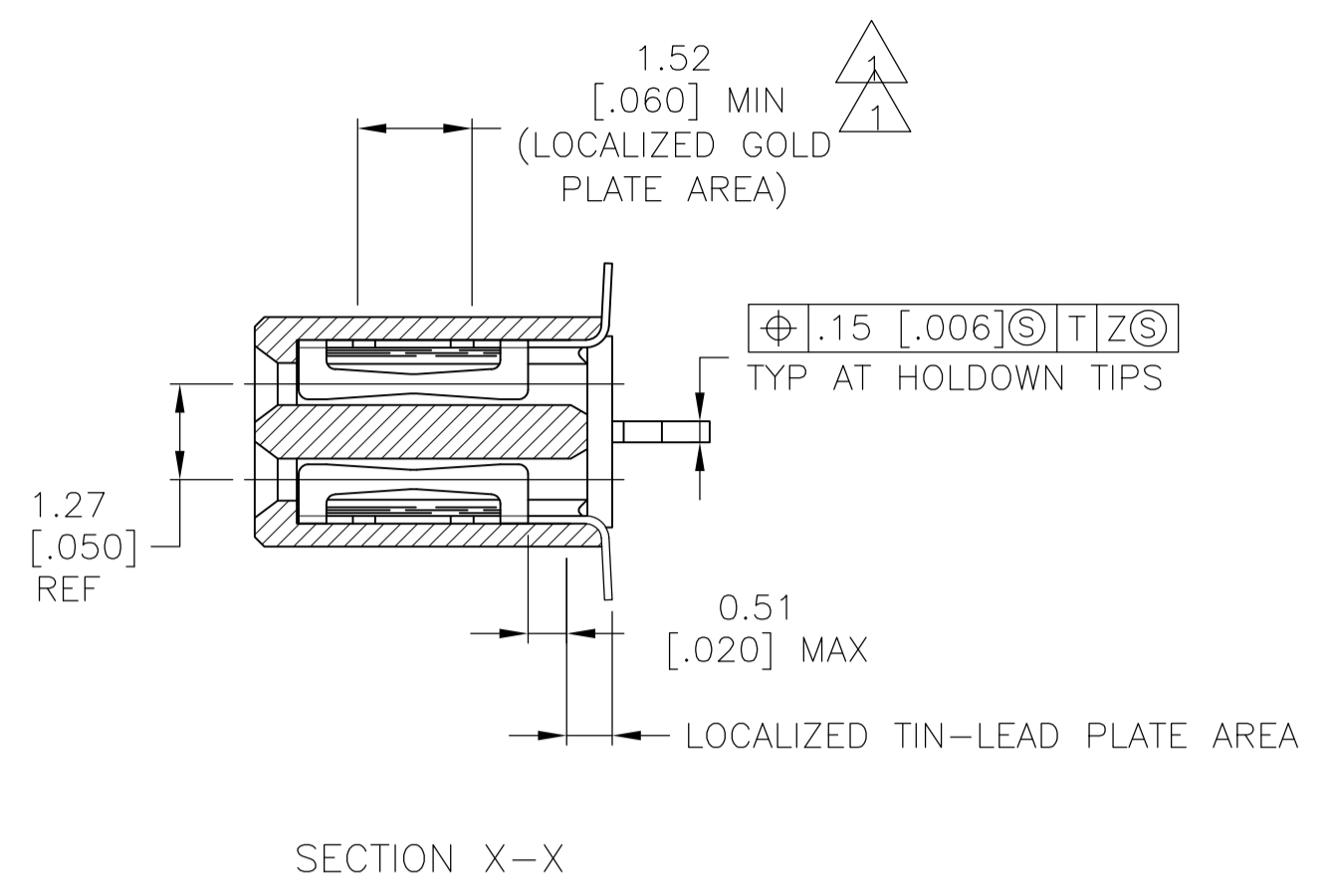
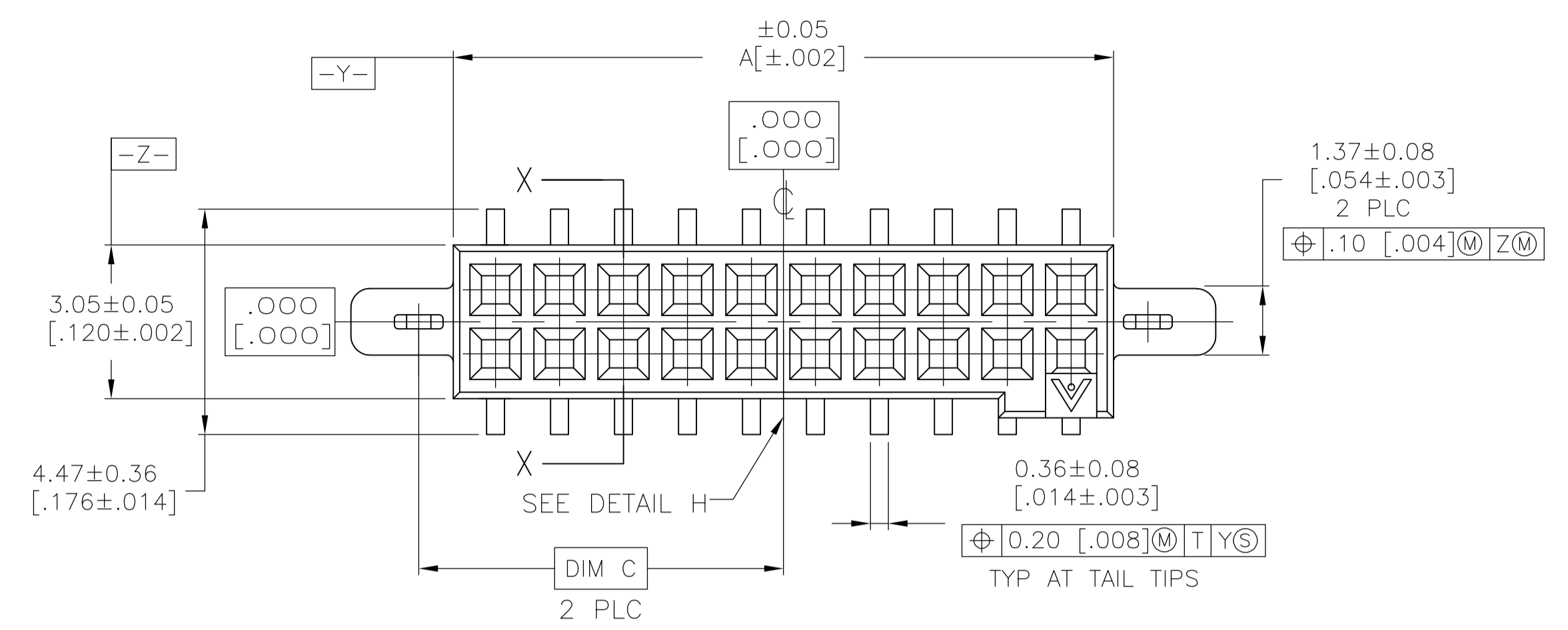




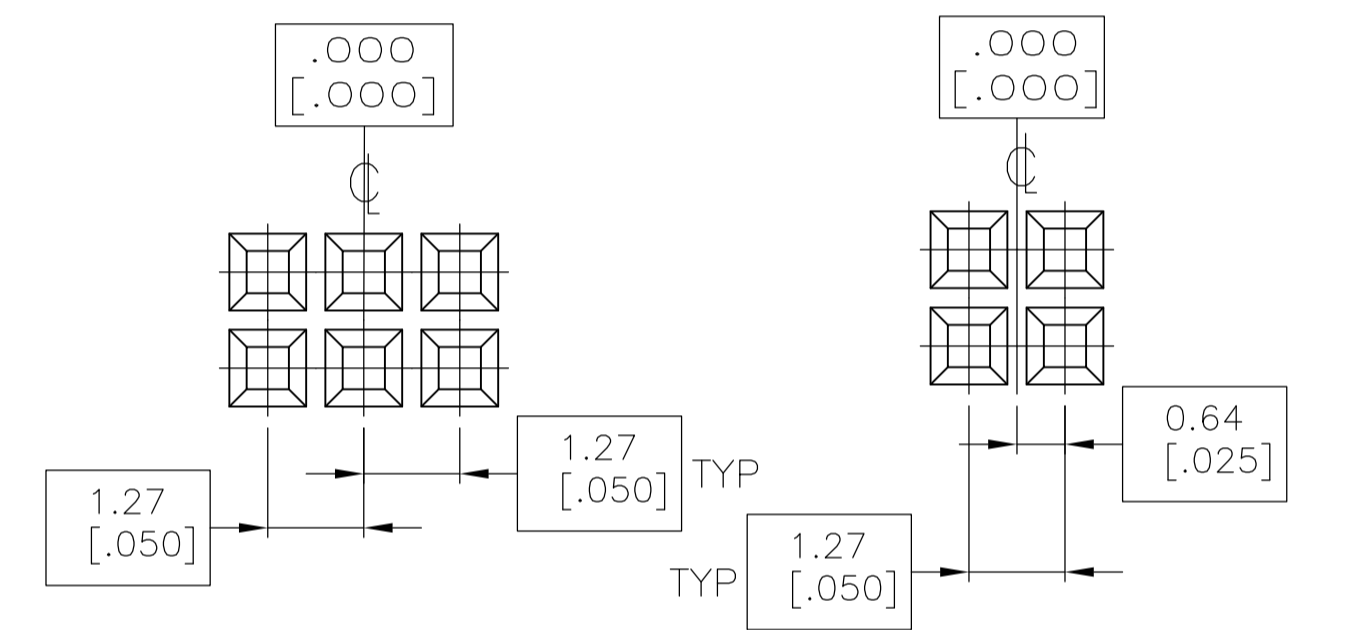
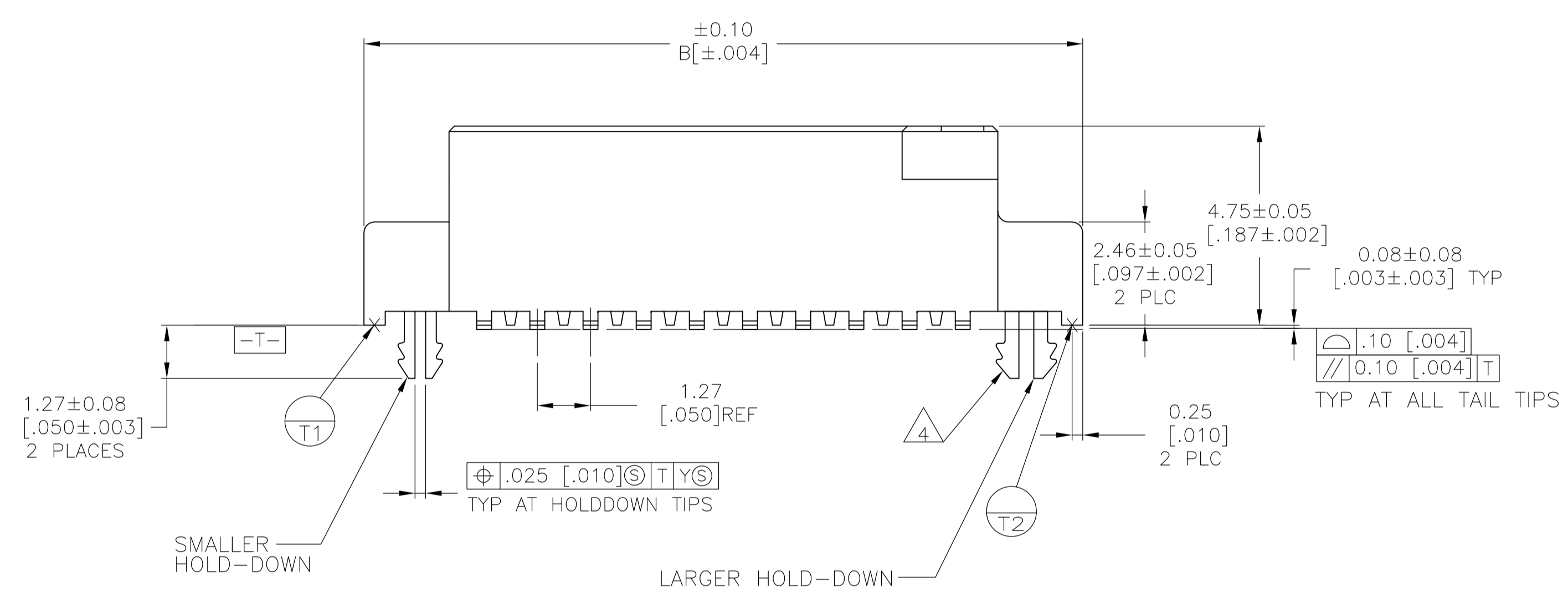
THE DATASHEET OF
104786-6



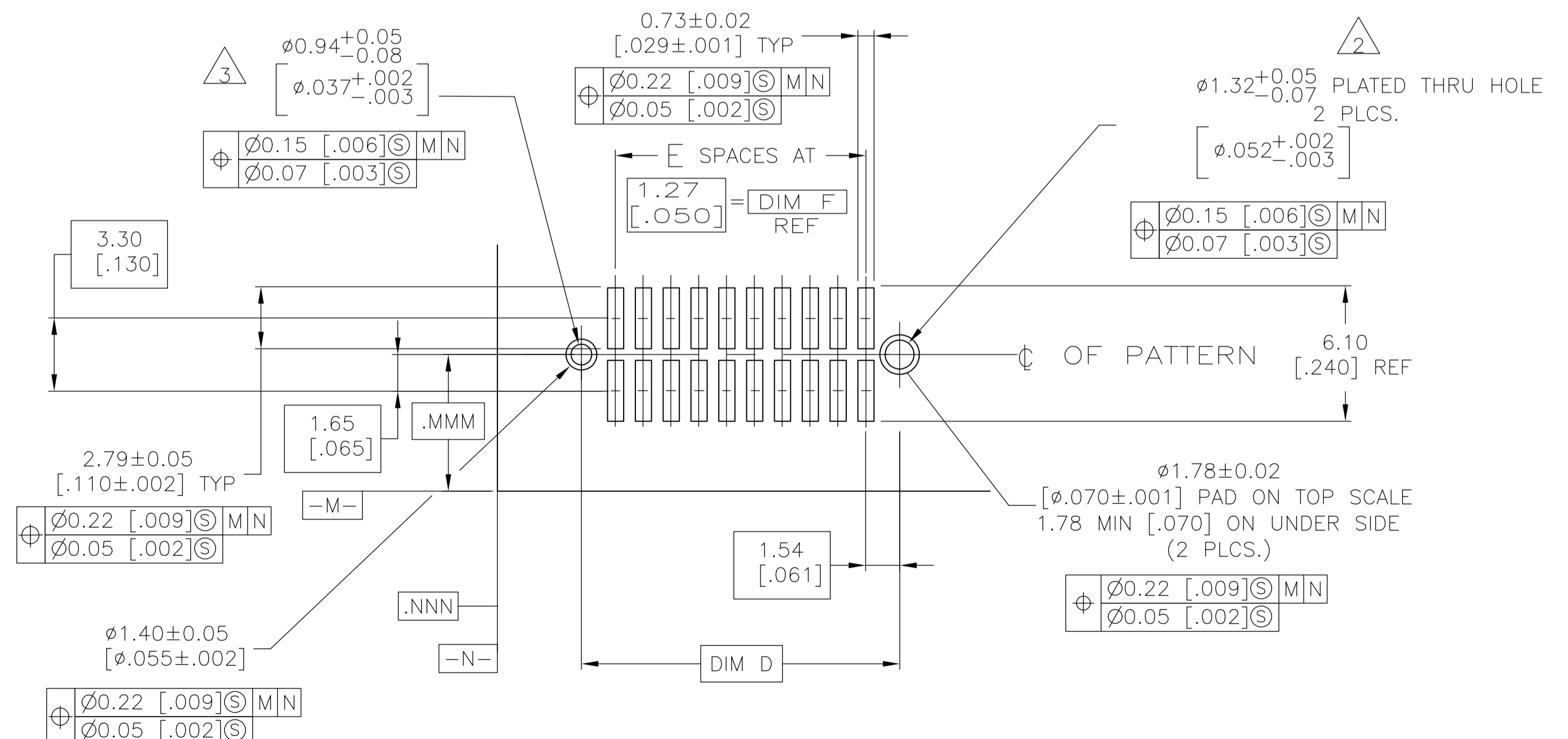
REVISONS		DATE	BY	APPV
N	EC 0G3C 0697 04	23NOV04	BSV	DLS
N1	REVISED PER ECO-09-020689	31AUG09	KK	AEG



- 1 0.00076 [.000030] GOLD IN LOCALIZED PLATE AREA
0.00381 [.000150] TIN-LEAD ON SOLDER TAILS
ALL OVER 0.00127 [.000050] NICKEL
- 2 USE 1.510±0.025[.0595±.0010] DRILLED HOLE (#53 DRILL)
FINISH TO BE TIN/LEAD OVER 0.02 [.001] MIN COPPER
- 3 USE 1.070±0.025[.0420±.0010] DRILLED HOLE (#58 DRILL)
FINISH TO BE TIN/LEAD OVER 0.02 [.001] MIN COPPER
- 4 PLATING: 0.0038 [.000150] TIN-LEAD OVER 0.00127 [.000050] NICKEL
- 5. IF PLANNING TO USE MORE THAN ONE MATING PAIR OF CONNECTORS
TO INTERCONNECT 2 BOARDS, PLEASE REFER TO PARA. 3.3 IN THE
APPLICATION SPEC, #114-7010
- 6 HOUSING: LCP, COLOR:BLACK.
CONTACT: COPPER ALLOY PER ASTM SPECIFICATION B422.
HOLDDOWN: COPPER ALLOY PER ASTM SPECIFICATION B194.
- 7 0.00076 (.000030) GOLD IN LOCALIZED PLATE AREA, 0.00381
(.000150) MIN TIN ON SOLDER TAILS, ALL OVER 0.00127
(.000050) NICKEL.
- 8 OBSOLETE PARTS: OBSOLETE CIS STREAMLINING PER D.RENAUD/D.SINISI



BASIC DIMENSIONS FOR EVEN NO OF SPACES (SEE TABLE)
BASIC DIMENSIONS FOR ODD NO OF SPACES (SEE TABLE)
DETAIL H



RECOMMENDED BOARD LAYOUT
SCALE 5:1

NO OF POS	A	B	C	D	E	F REF	PART NUMBER
60	38.51	42.57	19.940	39.88	29	36.83	5-104786-6
100	63.91	67.97	32.640	65.28	49	62.23	1-104786-0
90	57.56	61.62	29.46	58.93	44	55.88	104786-9
80	51.21	55.27	26.290	49.53	39	46.23	104786-8
70	44.86	48.92	23.11	43.18	34	40.48	104786-7
60	38.51	42.57	19.940	39.88	29	36.83	104786-6
50	32.16	36.22	16.76	30.48	24	27.18	104786-5
40	25.81	29.87	13.590	24.13	19	20.83	104786-4
30	19.46	23.52	10.41	17.78	14	14.48	104786-3
20	13.11	17.17	7.240	11.43	9	8.12	104786-2
10	6.75	10.82	4.06	5.08	4	3.30	104786-1

THIS DRAWING IS A CONTROLLED DOCUMENT.

DIMENSIONS: mm [INCHES]

TOLERANCES UNLESS OTHERWISE SPECIFIED:

0 PLC	± .005
1 PLC	± .005
2 PLC	± .005
3 PLC	± .005
4 PLC	± .005
ANGLES	± .005

MATERIAL: - FINISH: -

APPROVED: D. GORENC 5/31/91

DESIGNED: KATE HELM 5/31/92

NAME: D. GORENC

PRODUCT SPEC: ASSY RCPT, ASYMMETRICAL, SURFACE MT, AMPMODU 50/50 GRID CONNECTOR

APPLICATION SPEC: -

SIZE: A1

WEIGHT: -

CUSTOMER DRAWING: -


SCALE: 10:1

SHEET: 1 OF 1

REV: N1

Looking for pricing, stock, or lifecycle information?

Click below to explore more details on WIN SOURCE:

 [View 104786-6 on WIN SOURCE](#)

 [TE Connectivity](#) Information

Optimize Your Supply Chain with WIN SOURCE Solutions

-  Global Sourcing Solution
-  Obsolete Management
-  Cost Control Management
-  Shortage Management
-  Alternative Solution
-  Excess Inventory Management