



**THE DATASHEET OF
MAX334CWE+T**



MAXIM

High Speed Quad SPST Analog Switch

MAX334

General Description

The MAX334 is a quad single-pole-single-throw, normally closed (SPST, NC) analog switch, pin compatible with the Harris HI-201HS and Siliconix DG271. The MAX334 has guaranteed break-before-make switching ($t_{OFF} < t_{ON}$), while featuring fast switching speeds. Turn-on time is less than 100ns and turn-off time is less than 50ns; channel on resistance is 50 ohms maximum. CMOS inputs provide reduced input loading and very low leakage currents.

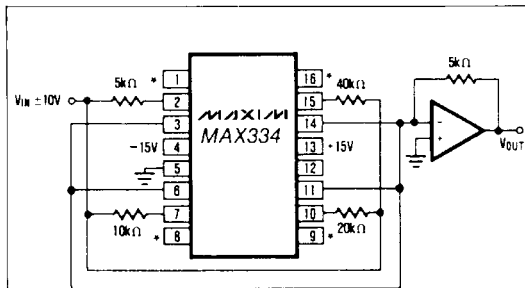
The MAX334 is also a direct replacement for the DG201 and DG211, featuring $\frac{1}{4}$ the on resistance and five times the speed.

The MAX334 may be used with split supplies ($\pm 5V$ to $\pm 15V$) or single positive supplies (+5V to +30V) while retaining CMOS and TTL logic compatible inputs, and maintaining high switching speed.

Applications

- Sample and Hold Circuits
- Winchester Disk Drives
- Test Equipment
- Communications Systems
- PBX, PABX
- Guidance and Control Systems
- Heads-up Displays
- Military Radios

Typical Operating Circuit



Programmable Gain Amplifier

Note: * Pins 1, 8, 9 and 16 are logic control inputs.

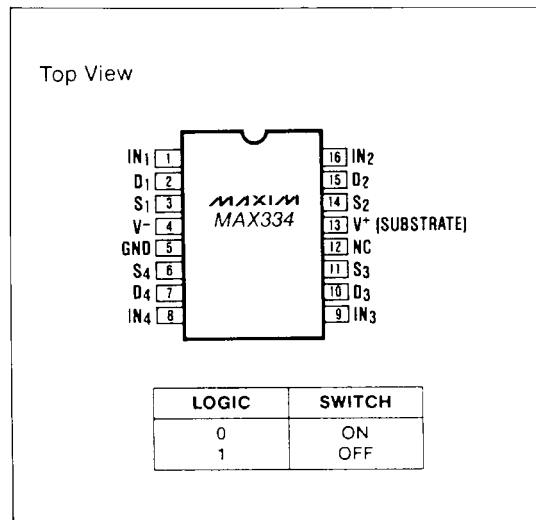
Features

- ◆ $R_{ds(ON)}$ 50Ω (max.)
- ◆ Guaranteed Break-Before-Make Switching
- ◆ Single or Bipolar Supply Operation
- ◆ CMOS and TTL Logic Compatible
- ◆ Faster, Lower R_{ON} Replacement for DG201 and DG211

Ordering Information

PART	TEMP. RANGE	PACKAGE
MAX334CPE	0°C to +70°C	16 Lead Plastic DIP
MAX334CWE	0°C to +70°C	16 Lead Wide SO
MAX334C/D	0°C to +70°C	Dice
MAX334CJE	0°C to +70°C	16 Lead CERDIP
MAX334EPE	-40°C to +85°C	16 Lead Plastic DIP
MAX334EJE	-40°C to +85°C	16 Lead CERDIP
MAX334EWE	-40°C to +85°C	16 Lead Wide SO
MAX334MJE	-55°C to +125°C	16 Lead CERDIP

Pin Configuration



High Speed Quad SPST Analog Switch

ABSOLUTE MAXIMUM RATINGS

Supply Voltage (Between Pins 4 and 13)	36V	Maximum Junction Temperature	175°C
Digital Input Voltage (Pins 1, 8, 9, 16)	+V _{SUPPLY} +4V -V _{SUPPLY} -4V	Operating Temperature	
Analog Input Voltage (S to D)	+V _{SUPPLY} +2.0V	MAX334M	-55°C to +125°C
Pins 2, 3, 6, 7, 10, 11, 14, 15	-V _{SUPPLY} -2.0V	MAX334E	-40°C to +85°C
Peak Current, S or D	80mA	MAX334C	0°C to +70°C
Total Power Dissipation (Note 1)	750mW	Storage Temperature	-65°C to +150°C

Stresses listed under "Absolute Maximum Ratings" may be applied (one at a time) to devices without resulting in permanent damage. These are stress ratings only, and functional operation of the device at these or any other conditions above those indicated in the operational sections of the specifications is not implied. Exposure to Absolute Maximum Ratings conditions for extended periods may affect device reliability.

ELECTRICAL CHARACTERISTICS

(V⁺ = +15V, V⁻ = -15V, V_{AH} (Logic Level High) = 3.0V, V_{AL} (Logic Level Low) = +0.8V, GND = 0V, unless otherwise specified.)

PARAMETER	TEMPERATURE	MAX334M/E			MAX334C			UNITS	
		MIN	TYP	MAX	MIN	TYP	MAX		
ANALOG SWITCH CHARACTERISTICS									
V _S , Analog Signal Range	Full	-15		+15	-15		+15	V	
R _{ON} , On Resistance (Note 2)	+25°C		30	50		30	50	Ω	
	Full			75			75		
R _{ON} Match	+25°C		3			3		%	
I _{S(OFF)} , Off Input Leakage Current	V _S = 14V, V _D = -14V	+25°C	-1	.3	1	-1	.3	1	nA
	V _S = -14V, V _D = 14V	Full	-100		100	-50		50	
I _{D(OFF)} , Off Output Leakage Current	V _D = 14V, V _S = -14V	+25°C	-1	.3	1	-1	.3	1	nA
	V _D = -14V, V _S = 14V	Full	-100		100	-50		50	
I _{D(ON)} , On Leakage Current	V _D = V _S = 14V	+25°C	-1	.1	1	-1	.1	1	nA
	V _D = V _S = -14V	Full	-100		100	-50		50	
DIGITAL INPUT CHARACTERISTICS									
V _{AL} Input Low	+25°C							V	
	Full			0.8			0.8		
V _{AH} Input High	+25°C							V	
	Full		3.0			3.0			
I _{AL} , Input Leakage Current (Low)	+25°C	-1.0	0.1	1.0	-1.0	0.1	1.0	μA	
	Full	-10		10	-10		10		
I _{AH} , Input Leakage Current (High)	+25°C	-1.0	0.1	1.0	-1.0	0.1	1.0	μA	
	Full	-10		10	-10		10		

Note 1: Derate 8mW/°C above T_A = 75°C, θ_{JA} = 100°C/W, θ_{JC} = 60°C/W

Note 2: V_{OUT} = ±10V, I_{OUT} = 1mA

Note 3: R_L = 1kΩ, C_L = 35pF, V_{IN} = +10V, V_A = +3V (See Switching Waveforms)

Note 4: V_A = 3V, R_L = 1kΩ, C_L = 10pF, V_{IN} = 3Vrms, f = 100kHz

Note 5: V_A = 3V, R_L = 1kΩ, f = 100kHz, V_{IN} = 3Vrms

Note 6: C_L = 1000pF, V_{IN} = 0V, R_{IN} = 0Ω, ΔQ = C_L × ΔV_O

Note 7: V_A = 3V or V_A = 0 for all switches

Note 8: t_{BBM} is fastest turn-on time (of the four switches) minus the slowest turn-off time.

High Speed Quad SPST Analog Switch

MAX334

ELECTRICAL CHARACTERISTICS (Continued)

(V⁺ = +15V, V⁻ = -15V, V_{AH} (Logic Level High) = 3.0V, V_{AL} (Logic Level Low) = +0.8V, GND = 0V, unless otherwise specified.)

PARAMETER	TEMPERATURE	MAX334M/E			MAX334C			UNITS
		MIN	TYP	MAX	MIN	TYP	MAX	
SWITCHING CHARACTERISTICS								
t _{ON} , Switch ON Time (Note 3)	+25°C		70	100		70	120	ns
t _{ON} , Switch ON Time (Note 3)	Full		100			125		ns
t _{OFF1} , Switch OFF Time (Note 3)	+25°C		40	50		40	75	ns
t _{OFF1} , Switch OFF Time (Note 3)	Full		50			75		ns
t _{OFF2} , Switch OFF Time (Note 3)	+25°C		150			150		ns
Output Settling Time 0.1%	+25°C		180			180		ns
t _{BBM} , Break-Before-Make (Note 8)	+25°C		10	30		30		ns
"Off Isolation" (Note 4)	+25°C		72			72		dB
Crosstalk (Note 5)	+25°C		86			86		dB
Charge Injection (Note 6)	+25°C		10			10		pC
C _{S(OFF)} , Input Switch Capacitance	+25°C		10			10		pF
Output Switch Capacitance	C _{D(OFF)}	+25°C		10		10		pF
	C _{D(ON)}	+25°C		30		30		
C _A , Digital Input Capacitance	+25°C		18			18		pF
C _{DS(OFF)} , Drain-to-Source Capacitance	+25°C		5			5		pF
POWER REQUIREMENTS (Note 7)								
P _D , Power Dissipation	+25°C		120			120		mW
	Full							
I ⁺ , Current (Pin 13)	+25°C		4.5			4.5		mA
	Full			10.0		10.0		
I ⁻ , Current (Pin 4)	+25°C		3.5			3.5		mA
	Full			6		6		

Typical Single Supply Operation (V⁻ = GND, V_S = +10V, R_L = 1000 Ohms)

V ⁺	R _{DS(ON)} (Ohms)	T _{ON} (ns)	T _{OFF} (ns)	TTL Compatible?	I _{V+} with TTL _{IN} = 3V on all switches
+5*	200	360	25	Yes	6.0μA
+10	85	150	30	Yes	1.5mA
+12	75	140	25	Yes	2.0mA
+15	65	100	25	Yes	4.5mA
+20	55	70	25	Yes	7.0mA
+25	50	50	30	V _{AH} = 4V	10.0mA
+30	45	45	40	V _{AH} = 4V	14.0mA

*V_S = +5V, for this case.

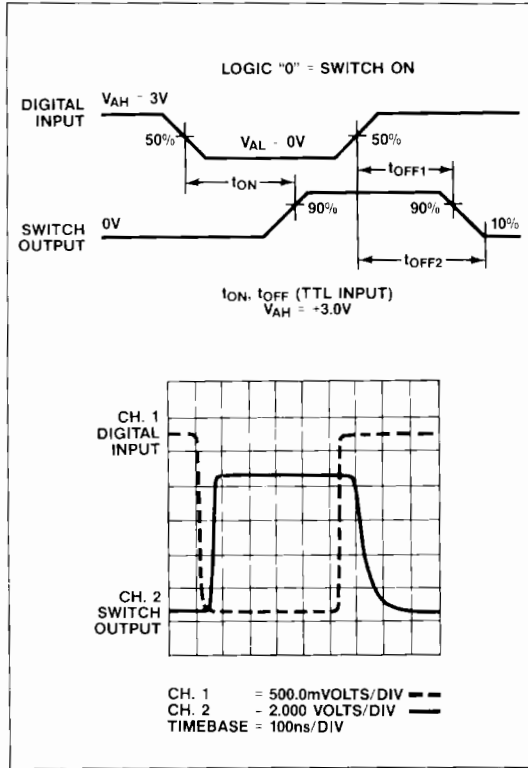
Typical Single Supply

Charge Injection (C_L = 1000pF)

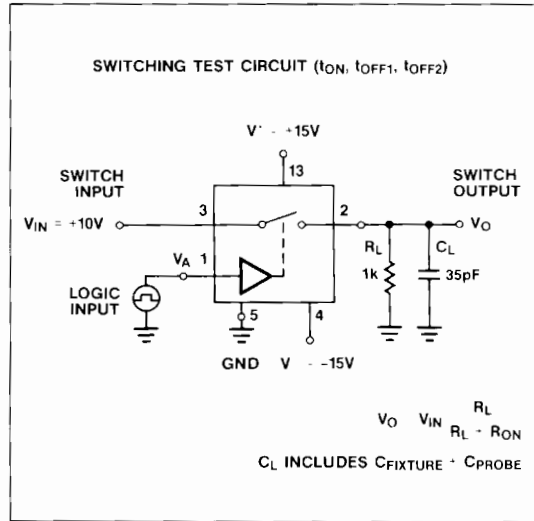
V _{ANALOG}	V ⁺ SUPPLY VOLTAGE				
	+5V	+10V	+15V	+20V	+30V
0V	7pC	10pC	10pC	6pC	12pC
V ⁺	4pC	6pC	6pC	6pC	14pC

High Speed Quad SPST Analog Switch

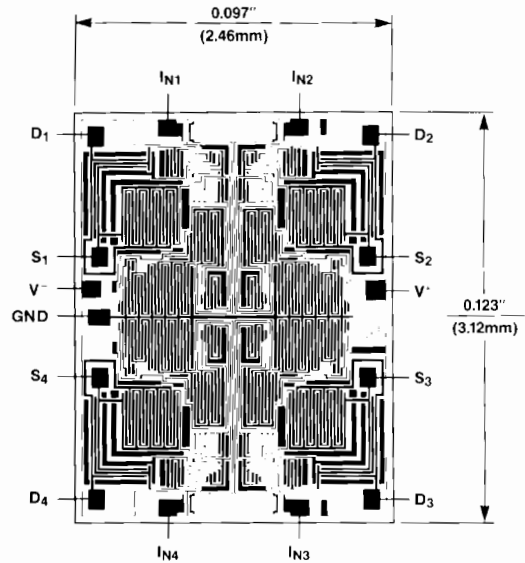
Switching Waveforms



Test Circuit



Chip Topography



Maxim cannot assume responsibility for use of any circuitry other than circuitry entirely embodied in a Maxim product. No circuit patent licenses are implied. Maxim reserves the right to change the circuitry and specifications without notice at any time.

Looking for pricing, stock, or lifecycle information?

Click below to explore more details on WIN SOURCE:

 [View MAX334CWE+T on WIN SOURCE](#)

 [Maxim Integrated](#) Information

Optimize Your Supply Chain with WIN SOURCE Solutions

-  Global Sourcing Solution
-  Obsolete Management
-  Cost Control Management
-  Shortage Management
-  Alternative Solution
-  Excess Inventory Management