



**THE DATASHEET OF**  
**1-1825002-3**



REVISIONS					
P	LR	DESCRIPTION	DATE	DMN	APP'D
	P1	REVISED PER ECO-11-020691	14OCT11	KH	PO
	P2	REVISED PER ECO-16-018654	15MAY2017	RK	PO

SPECIFICATION:

MATERIAL

BASE, PP5, UL94V-0, BLACK  
COVER, PP5, UL94V-0, BLACK  
ACTUATOR, PA6T, UL94V-0, WHITE  
FIXED CONTACT/TERMINAL, CU ALLOY-GOLD FLASH OVER NICKEL  
MOVING CONTACT, CU ALLOY, PLATE-GOLD FLASH/NICKEL  
TAPE SEAL, POLYIMIDE FILM, AMBER, SEE P/N TABLE FOR OPTIONS.

ELECTRICAL

MAX CONTACT RATING SWITCHING, 100MILLIAMPER @ 24 VDC  
MIN CONTACT RATING SWITCHING, .1MICROAMP @ 1 MILLIVOLT  
MAX CONTACT NON-SWITCHING, 1AMP @ 5 VDC  
INITIAL CONTACT RESISTANCE, 50 MILLIOHMS MAX.  
CONTACT RESISTANCE (AFTER ENVIRONMENTAL TEST), 100 MILLIOHMS  
CONTACT RESISTANCE (AFTER ENVIRONMENTAL TEST), 100 MILLIOHMS  
INSULATION RESISTANCE (AFTER GAS TEST), 300 MILLIOHMS  
INSULATION RESISTANCE, 1,000 MEGOHMS MIN. @ 100 VDC  
DIELECTRIC STRENGTH, 500 VAC RMS @ SEA LEVEL  
LIFE EXPECTANCY, 1,000 CYCLES

MECHANICAL

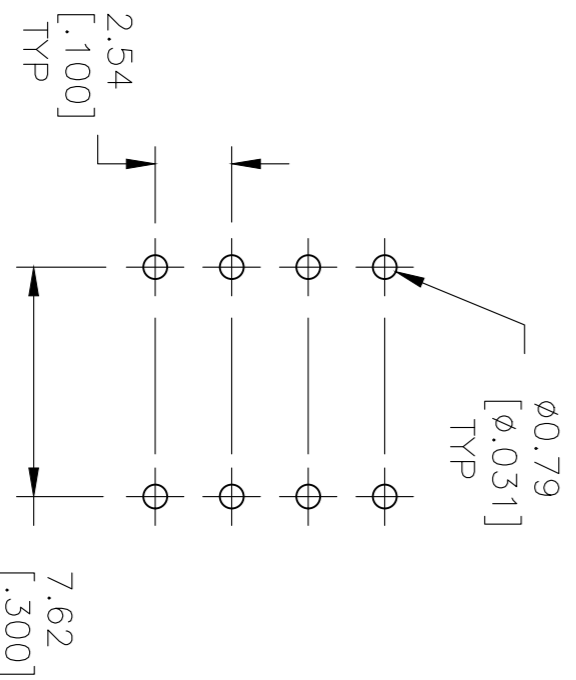
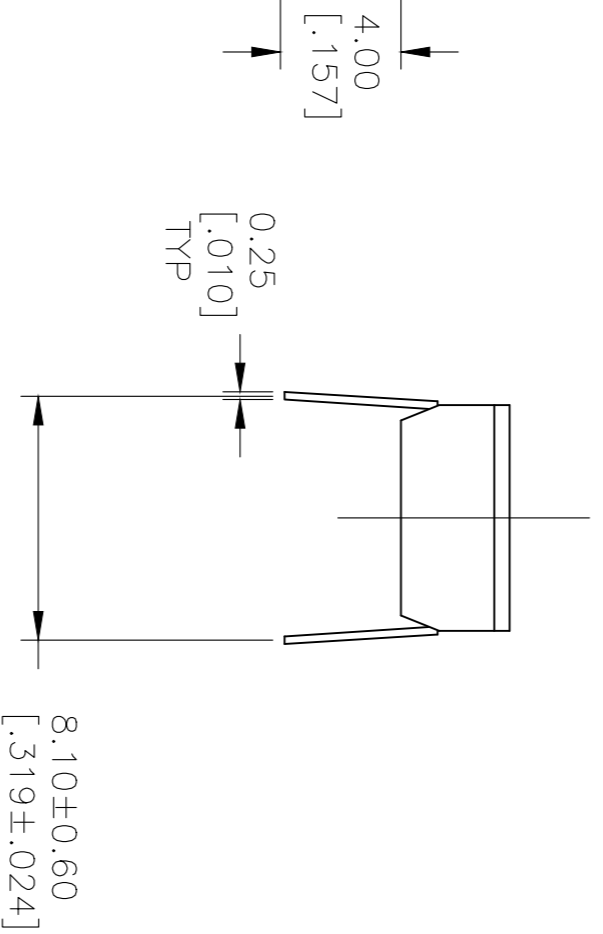
OPERATING FORCE, LESS THAN 800 GRAMS  
CONTACT PRESSURE, 280,000 PSI

ENVIRONMENTAL

OPERATING TEMPERATURE, -30 TO +85 DEGREES C  
STORAGE TEMPERATURE, -45 TO +105 DEGREES C  
CLEANING, AQUEOUS OR SOLVENT  
SOLDER HEAT RESISTANCE, PER 109-201, COND B, SWITCH "OFF".  
SOLDERABILITY PER JIS C 0050 & JIS C 0053

1. SWITCHES TO BE RECEIVED IN THE "OFF" POSITION AND PACKAGED IN CLEAR TUBES TO ACCOMMODATE AUTO-INSERTION.
  2. TOP SURFACE TO BE CLEARLY MARKED AS SHOWN
  3. SWITCHES TO BE BLACK WITH WHITE ACTUATORS AND MARKINGS.
  4. ALL MATERIALS AND FINISHES SHALL COMPLY WITH EU DIRECTIVE 2002 /95/EC OF 27JAN2003 (ROHS)
  5. TOP TAPE SEAL AVAILABLE, SEE P/N TABLE FOR OPTIONS
- ⚠️ OBSOLETE PARTS: OBSOLETE CIS STREAMLINING PER D.RENAUD/D.SINISI

SEE SHEET 2 FOR PART NUMBER TABLE



P.C. LAYOUT  
INSERT MOUNT

THIS DRAWING IS A CONTROLLED DOCUMENT.		DMN 19AUG03		 TE Connectivity	
CHK B.S.VISWESWARA		-			
AP'D M.SARVER		-		NAME	
TOLERANCES UNLESS OTHERWISE SPECIFIED:		PRODUCT SPEC		DIP SWITCH, ADF THRU HOLE	
DIMENSIONS: mm [INCHES]		APPLICATION SPEC		SIZE   CAGE CODE   DRAWING NO	
0 PLC ± -		WEIGHT		A2   00779   1825002	
1 PLC ± -		CUSTOMER DRAWING		SCALE 1:1   SHEET 1 OF 2   REV P2	
2 PLC ± .012				RESTRICTED TO	
3 PLC ± -				-	
4 PLC ± -					
FINISH					
MATERIAL					

1825002



Looking for pricing, stock, or lifecycle information?

Click below to explore more details on WIN SOURCE:

- [View 1-1825002-3 on WIN SOURCE](#)
- [TE Connectivity Information](#)

### Optimize Your Supply Chain with WIN SOURCE Solutions

- ✓ Global Sourcing Solution
- ✓ Obsolete Management
- ✓ Cost Control Management
- ✓ Shortage Management
- ✓ Alternative Solution
- ✓ Excess Inventory Management