



**THE DATASHEET OF
ZM331643N8TA**



SUPPLY VOLTAGE MONITOR

ISSUE 4 – JULY 2006

ZM33164-3

DEVICE DESCRIPTION

The ZM33164-3 is a three terminal under voltage monitor circuit for use in microprocessor systems. The threshold voltage of the device has been set to 2.68 volts making it ideal for 3 volt circuits.

Included in the device is a precise voltage reference and a comparator with built in hysteresis to prevent erratic operation. The ZM33164-3 features an open collector output capable of sinking at least 10mA which only requires a single external resistor to interface to following circuits.

Operation of the device is guaranteed from one volt upwards, from this level to the device threshold voltage the output is held low providing a power on reset function. Should the supply voltage, once established, at any time drop below the threshold level then the output again will pull low.

The device is available in a TO92 package for through hole applications as well as SOT223 for surface mount requirements.

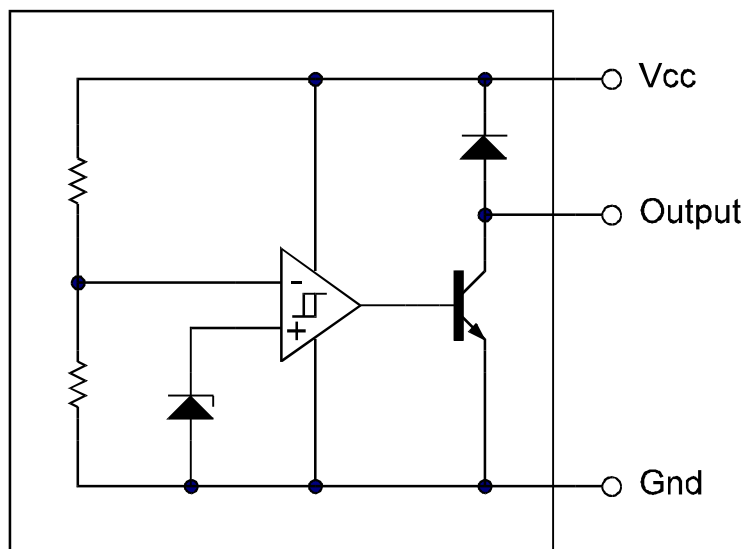
FEATURES

- SOT223 and TO92 packages
- Power on reset generator
- Automatic reset generation
- Low standby current
- Guaranteed operation from 1 volt
- Wide supply voltage range
- Internal clamp diode to discharge delay capacitor
- 2.68 volt threshold for 3 volt logic
- 60mV hysteresis prevents erratic operation

APPLICATIONS

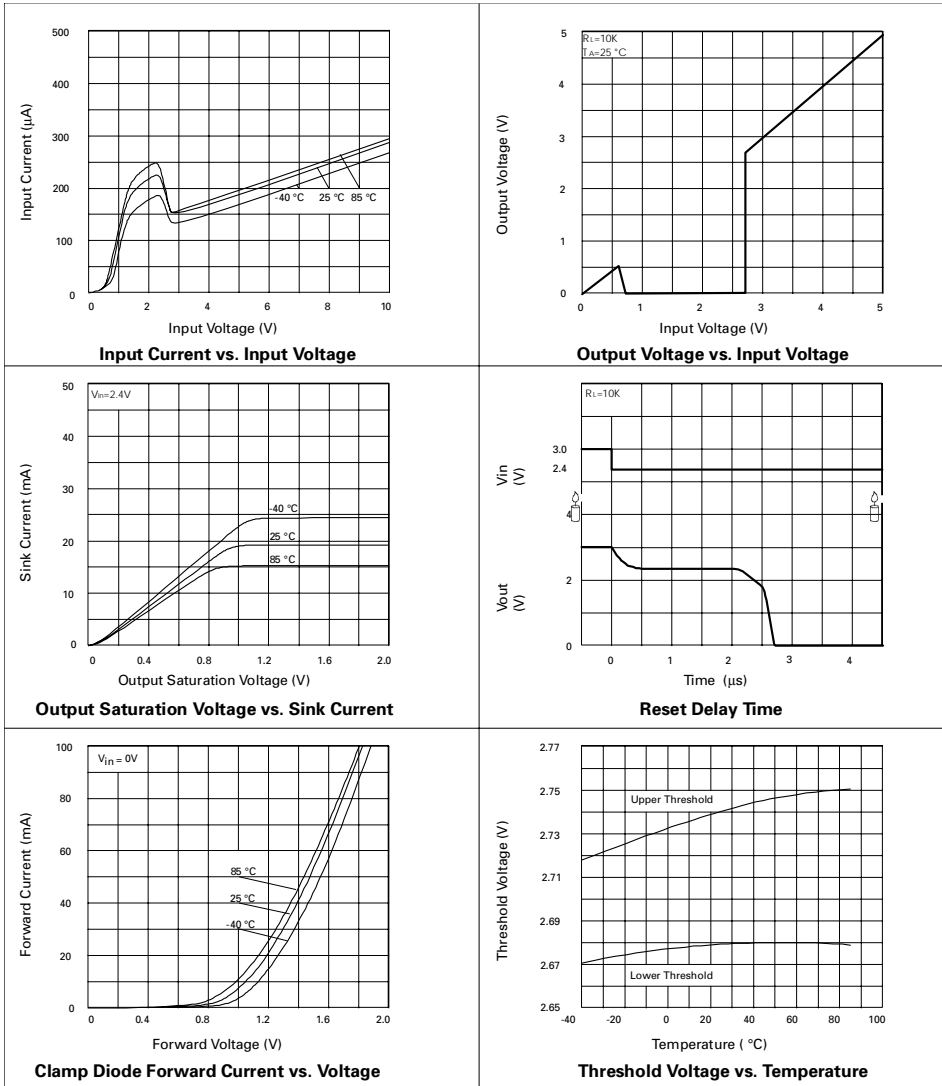
- Microprocessor systems
- Computers
- Computer peripherals
- Instrumentation
- Automotive
- Battery powered equipment

SCHEMATIC DIAGRAM



ZM33164-3

TYPICAL CHARACTERISTICS



ZM33164-3

ABSOLUTE MAXIMUM RATING

| | | | |
|--------------------------------|--------------------|--------------------------|------------|
| Input Supply Voltage | -1 to 12V | Power Dissipation | |
| Offstate Output Voltage | 12V | TO92 | 780mW |
| Onstate Output | | SOT223 | 2W(Note 2) |
| Sink Current(Note 1) | Internally limited | | |
| Clamp diode | | | |
| Forward Current(Note 1) | 100mA | | |
| Operating junction temperature | 150°C | | |
| Operating Temperature | -40 to 85°C | | |
| Storage Temperature | -65 to 150°C | | |

TEST CONDITIONS

($T_{amb}=25^{\circ}\text{C}$ for typical values, $T_{amb}=-40$ to 85°C for min/max values (Note3))

COMPARATOR

| PARAMETER | SYMBOL | MIN | TYP. | MAX. | UNITS |
|---|----------|------|------|------|-------|
| Threshold Voltage High state output (V_{cc} increasing) | V_{IH} | 2.55 | 2.71 | 2.8 | V |
| Threshold Voltage Low state output (V_{cc} decreasing) | V_{IL} | 2.55 | 2.65 | 2.8 | V |
| Hysteresis | V_H | 0.03 | 0.06 | 0.15 | V |

OUTPUT

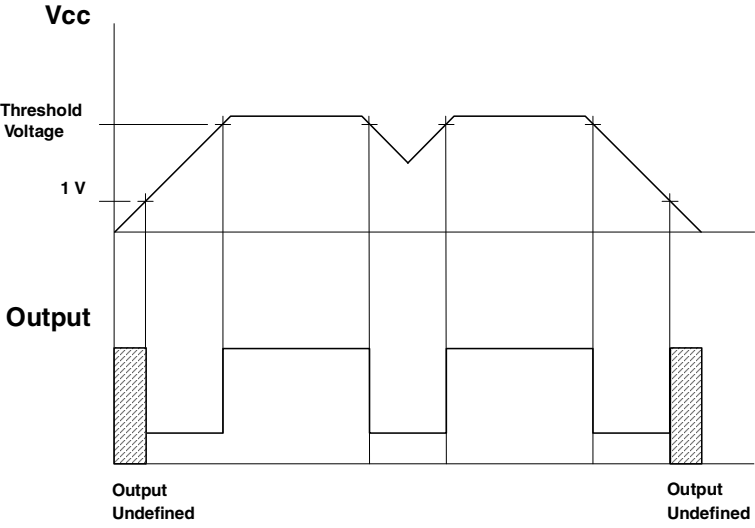
| | | | | | |
|---|------------|-----|------|------|---------------|
| Output sink saturation: ($V_{cc}=2.4\text{V}$, $I_{sink}=8.0\text{mA}$) | V_{OL} | | 0.46 | 1.0 | V |
| ($V_{cc}=2.4\text{V}$, $I_{sink}=2.0\text{mA}$) | | | 0.15 | 0.4 | V |
| ($V_{cc}=1.0\text{V}$, $I_{sink}=0.1\text{mA}$) | | | | 0.25 | V |
| Onstate output sink current (V_{cc} , Output=2.4V) | I_{sink} | 10 | 20 | 60 | mA |
| Offstate output leakage current (V_{cc} , Output=3V) | I_{oh} | | 0.02 | 0.5 | μA |
| Clamp diode forward voltage ($I_f=10\text{mA}$) | V_f | 0.6 | 1.2 | 1.5 | V |
| Propagation delay (V_{in} 3V to 2.4V, $R_I=10\text{k}$, $T_{amb}=25^{\circ}\text{C}$) | T_d | | 2.5 | | μs |

TOTAL DEVICE

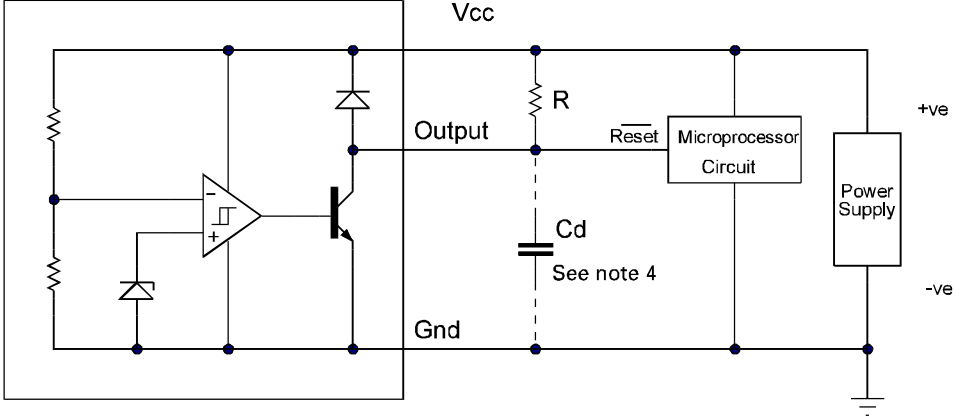
| | | | | | |
|--|----------|-----------|-----|-----|---------------|
| Operating input voltage range | V_{cc} | 1.0 to 10 | | | V |
| Quiescent input current ($V_{cc}=3\text{V}$) | I_q | | 125 | 190 | μA |

ZM33164-3

TIMING DIAGRAM



APPLICATION CIRCUIT



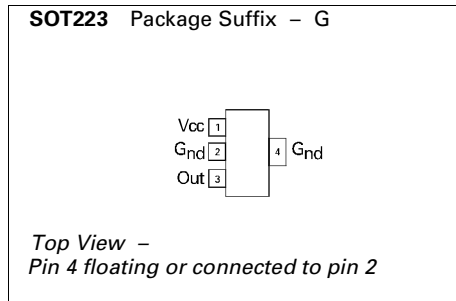
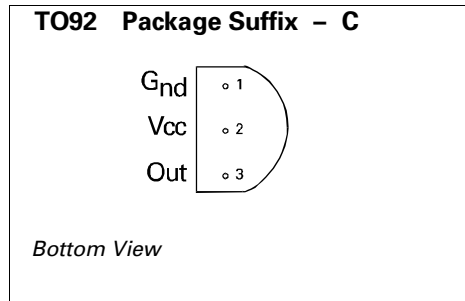
Note 4: A time delayed reset can be accomplished with the additional Cd.

$$T_{DY} = RCd \ln \left(\frac{1}{1 - \frac{V_{TH(mpu)}}{V_{in}}} \right)$$

T_{DY} = Time (Seconds)
 V_{TH} = Microprocessor Reset Threshold
 V_{in} = Power Supply Voltage

ZM33164-3

CONNECTION DIAGRAMS



ORDERING INFORMATION

| Part Number | Package | Part Mark |
|-------------|---------|-----------|
| ZM331643G | SOT223 | ZM331643 |
| ZM331643C | TO92 | ZM331643 |

| Europe | Americas | Asia Pacific | Corporate Headquarters |
|---|---|--|--|
| Zetex GmbH Streitfeldstraße 19 D-81673 München Germany | Zetex Inc 700 Veterans Memorial Highway Hauppauge, NY 11788 USA | Zetex (Asia Ltd) 3701-04 Metroplaza Tower 1 Hing Fong Road, Kwai Fong Hong Kong | Zetex Semiconductors plc Zetex Technology Park, Chadderton Oldham, OL9 9LL United Kingdom |
| Telefon: (49) 89 45 49 49 0 Fax: (49) 89 45 49 49 49 europe.sales@zetex.com | Telephone: (1) 631 360 2222 Fax: (1) 631 360 8222 usa.sales@zetex.com | Telephone: (852) 26100 611 Fax: (852) 24250 494 asia.sales@zetex.com | Telephone: (44) 161 622 4444 Fax: (44) 161 622 4446 hq@zetex.com |

For international sales offices visit www.zetex.com/offices

Zetex products are distributed worldwide. For details, see www.zetex.com/salesnetwork

This publication is issued to provide outline information only which (unless agreed by the company in writing) may not be used, applied or reproduced for any purpose or form part of any order or contact or be regarded as a representation relating to the products or services concerned. The company reserves the right to alter without notice the specification, design, price or conditions of supply of any product or service.



Issue 4 - July 2006

www.zetex.com

© Zetex Semiconductors plc 2006

Looking for pricing, stock, or lifecycle information?

Click below to explore more details on WIN SOURCE:

-  [View ZM331643N8TA on WIN SOURCE](#)
-  [Diodes Incorporated Information](#)

Optimize Your Supply Chain with WIN SOURCE Solutions

-  Global Sourcing Solution
-  Obsolete Management
-  Cost Control Management
-  Shortage Management
-  Alternative Solution
-  Excess Inventory Management