



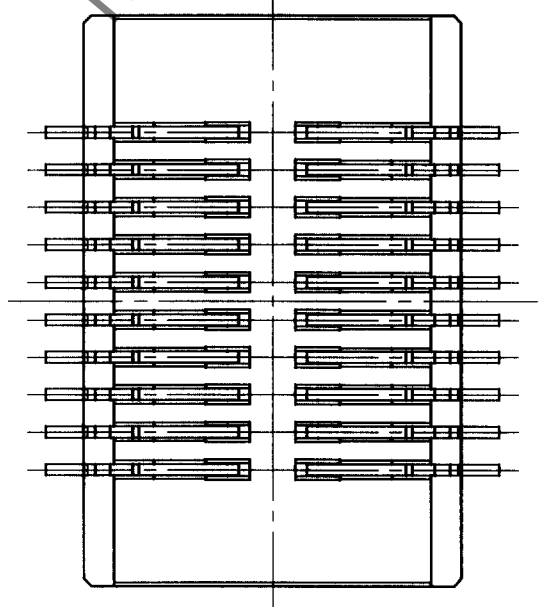
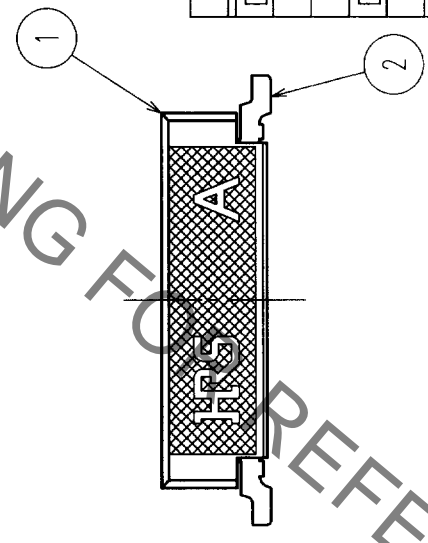
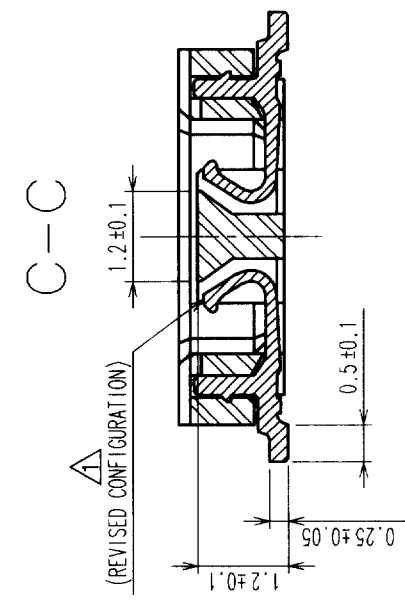
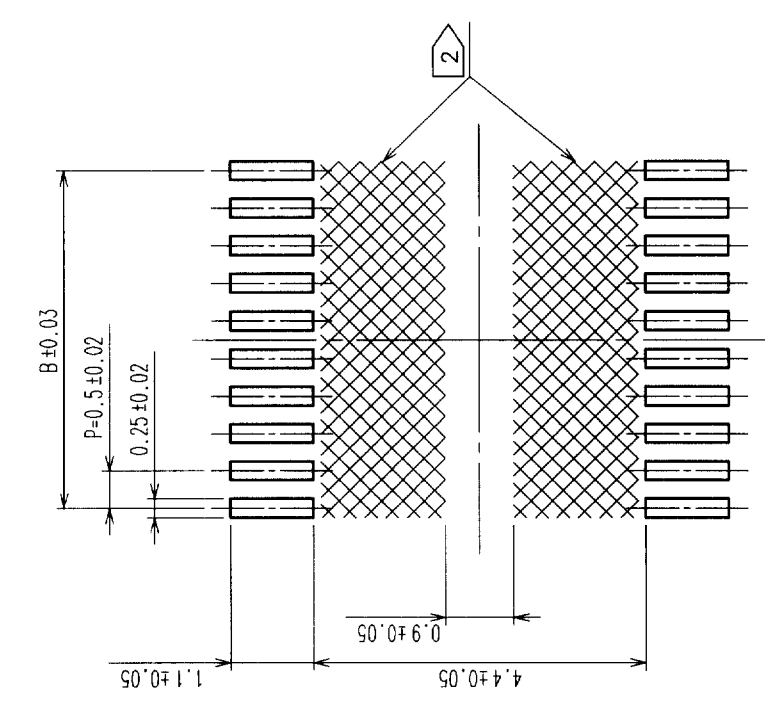
**THE DATASHEET OF
DF23C-10DS-0.5V(53)**



In case of consideration for usigg Automotive equipment / device which demand high reliability, kindly contact our sales wipdow correspondents.

COUNT	DESCRIPTION OF REVISIONS	BY	CHKD	DATE	COUNT	DESCRIPTION OF REVISIONS	BY	CHKD	DATE
7	RE-H-04872	T.G.K.A		02.02.13					

RECOMMENDED PATTERN



PART NO.	CODE NO.	NUMBER OF CONTACT	A	B
DF23C-10DS-0.5V(53)	CL688-0306-9-53	10	5.1	2.0
DF23C-18DS-0.5V(53)	CL688-0308-4-53	18	7.1	4.0

NOTES1: LEAD CO-PLANARITY SHALL BE 0.1 mm MAX.
 [2] WHEN A PART MARKED WITH HAS A PATTERN BUT NO RESIST ON IT, TAKE CARE TO PREVENT THE CONNECTOR FROM TOUCHING IT.

NO.	MATERIAL	FINISH, REMARKS	NO.	MATERIAL	FINISH, REMARKS
2	PHOSPHOR BRONZE	GOLD PLATED	4	POLYESTER	CLEAR
1	LCP	BLACK, UL94V-0	3	PS	CLEAR

CODE NO. (OLD)	DRAWN	DESIGNED	CHECKED	APPROVED	RELEASED
	T.Goi	T.Goi	K.Akiyama	K.Katayose	
	'01. 5.26	'01. 5.26	'01. 5.31	'01. 5.31	

DRAWING NO.	PART NO.
EDC3-163543-03	DF23C-*DS-0.5V(53)

SCALE	UNITS	CODE NO.
10 : 1	mm	CL688-

TO

Looking for pricing, stock, or lifecycle information?

Click below to explore more details on WIN SOURCE:

[View DF23C-10DS-0.5V\(53\) on WIN SOURCE](#)

[Hirose Electric Co Ltd Information](#)

Optimize Your Supply Chain with WIN SOURCE Solutions

- ✓ Global Sourcing Solution
- ✓ Obsolete Management
- ✓ Cost Control Management
- ✓ Shortage Management
- ✓ Alternative Solution
- ✓ Excess Inventory Management