



**THE DATASHEET OF
TS5A3160DCKJ**



TS5A3160 1- Ω SPDT Analog Switch

1 Features

- Low ON-State Resistance (1 Ω)
- Isolation in the Powered-Off Mode, $V_+ = 0$
- Specified Make-Before-Break Switching
- Control Inputs are 5-V Tolerant
- Low Charge Injection
- Excellent ON-Resistance Matching
- Low Total Harmonic Distortion
- 1.65-V to 5.5-V Single-Supply Operation
- Latch-Up Performance Exceeds 100 mA Per JESD 78, Class II
- ESD Performance Tested Per JESD 22
 - 2000-V Human Body Model (A114-B, Class II)
 - 1000-V Charged-Device Model (C101)

2 Applications

- Mobile Phones
- Consumer and Computing
- Portable Instrumentation

3 Description

The TS5A3160 device is a single-pole double-throw (SPDT) analog switch that is designed to operate from 1.65 V to 5.5 V. The device offers a low ON-state resistance and an excellent channel-to-channel ON-state resistance matching. The device has excellent total harmonic distortion (THD) performance and consumes very low power. These features make this device suitable for portable audio applications.

Device Information⁽¹⁾

| PART NUMBER | PACKAGE | BODY SIZE (NOM) |
|-------------|------------|-------------------|
| TS5A3160DBV | SOT-23 (6) | 2.90 mm x 1.60 mm |
| TS5A3160DCK | SC70 (6) | 2.00 mm x 1.25 mm |

(1) For all available packages, see the orderable addendum at the end of the data sheet.

Block Diagram

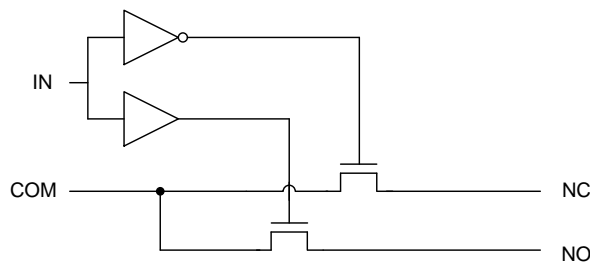


Table of Contents

| | | | |
|---|-----------|--|-----------|
| 1 Features | 1 | 8.2 Functional Block Diagram | 18 |
| 2 Applications | 1 | 8.3 Feature Description | 18 |
| 3 Description | 1 | 8.4 Device Functional Modes | 18 |
| 4 Revision History | 2 | 9 Application and Implementation | 19 |
| 5 Pin Configuration and Functions | 3 | 9.1 Application Information | 19 |
| 6 Specifications | 4 | 9.2 Typical Application | 19 |
| 6.1 Absolute Maximum Ratings | 4 | 10 Power Supply Recommendations | 20 |
| 6.2 ESD Ratings | 4 | 11 Layout | 20 |
| 6.3 Recommended Operating Conditions | 4 | 11.1 Layout Guidelines | 20 |
| 6.4 Thermal Information | 4 | 11.2 Layout Example | 20 |
| 6.5 Electrical Characteristics for 5-V Supply | 5 | 12 Device and Documentation Support | 21 |
| 6.6 Electrical Characteristics for 3.3-V Supply | 7 | 12.1 Device Support | 21 |
| 6.7 Electrical Characteristics for 2.5-V Supply | 9 | 12.2 Documentation Support | 22 |
| 6.8 Electrical Characteristics for 1.8-V Supply | 11 | 12.3 Community Resources | 22 |
| 6.9 Typical Characteristics | 13 | 12.4 Trademarks | 22 |
| 7 Parameter Measurement Information | 15 | 12.5 Electrostatic Discharge Caution | 22 |
| 8 Detailed Description | 18 | 12.6 Glossary | 22 |
| 8.1 Overview | 18 | 13 Mechanical, Packaging, and Orderable Information | 22 |

4 Revision History

Changes from Revision D (June 2015) to Revision E

Page

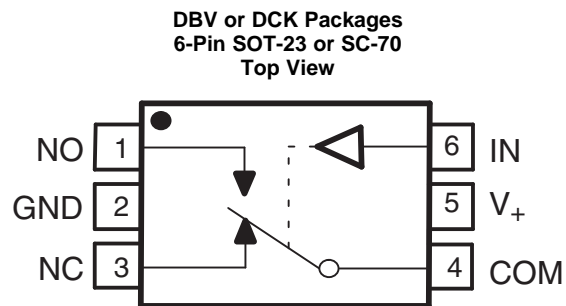
- Changed Input leakage current UNIT value From: μA To: nA in the *Electrical Characteristics for 5-V Supply* table **5**

Changes from Revision C (March 2012) to Revision D

Page

- Added *Applications*, *Device Information* table, *Pin Functions* table, *ESD Ratings* table, *Thermal Information* table, *Typical Characteristics*, *Feature Description* section, *Device Functional Modes*, *Application and Implementation* section, *Power Supply Recommendations* section, *Layout* section, *Device and Documentation Support* section, and *Mechanical, Packaging, and Orderable Information* section. **1**

5 Pin Configuration and Functions



Pin Functions

| PIN | | I/O | DESCRIPTION |
|-----|------|-----|---|
| NO. | NAME | | |
| 1 | NO | I/O | Normally open switch port |
| 2 | GND | — | Ground |
| 3 | NC | I/O | Normally closed switch port |
| 4 | COM | I/O | Common switch port |
| 5 | V+ | — | Power supply |
| 6 | IN | I | Switch select. High = COM connected to NO; Low = COM connected to NC. |

6 Specifications

6.1 Absolute Maximum Ratings

 over operating free-air temperature range (unless otherwise noted)⁽¹⁾⁽²⁾

| | | MIN | MAX | UNIT |
|--|--|--------------|----------------------|------|
| V ₊ | Supply voltage ⁽³⁾ | -0.5 | 6.5 | V |
| V _{NC} V _{NO} V _{COM} | Analog voltage ^{(3) (4) (5)} | -0.5 | V ₊ + 0.5 | V |
| I _K | Analog port diode current V _{NC} , V _{NO} , V _{COM} < 0 | -50 | | mA |
| I _{NC} I _{NO} I _{COM} | On-state switch current On-state peak switch current ⁽⁶⁾ V _{NC} , V _{NO} , V _{COM} = 0 to V ₊ | -200 -400 | 200 400 | mA |
| V _I | Digital input voltage ^{(3) (4)} | -0.5 | 6.5 | V |
| I _{IK} | Digital input clamp current V _I < 0 | -50 | | mA |
| I ₊ | Continuous current through V ₊ | | 100 | mA |
| I _{GND} | Continuous current through GND | -100 | | mA |
| T _{stg} | Storage temperature | -65 | 150 | °C |

- (1) Stresses beyond those listed under *Absolute Maximum Ratings* may cause permanent damage to the device. These are stress ratings only, and functional operation of the device at these or any other conditions beyond those indicated under *Recommended Operating Conditions* is not implied. Exposure to absolute-maximum-rated conditions for extended periods may affect device reliability.
- (2) The algebraic convention, whereby the most negative value is a minimum and the most positive value is a maximum
- (3) All voltages are with respect to ground, unless otherwise specified.
- (4) The input and output voltage ratings may be exceeded if the input and output clamp-current ratings are observed.
- (5) This value is limited to 5.5 V maximum.
- (6) Pulse at 1-ms duration < 10% duty cycle

6.2 ESD Ratings

| | | VALUE | UNIT |
|--|---|-------|------|
| V _(ESD) | Electrostatic discharge | | |
| | Human-body model (HBM), per ANSI/ESDA/JEDEC JS-001 ⁽¹⁾ | ±2000 | V |
| Charged-device model (CDM), per JEDEC specification JESD22-C101 ⁽²⁾ | ±1000 | | |

- (1) JEDEC document JEP155 states that 500-V HBM allows safe manufacturing with a standard ESD control process.
- (2) JEDEC document JEP157 states that 250-V CDM allows safe manufacturing with a standard ESD control process.

6.3 Recommended Operating Conditions

over operating free-air temperature range (unless otherwise noted)

| | | MIN | MAX | UNIT |
|------------------|-----------------------------|------|----------------|------|
| V _{I/O} | Switch input/output voltage | 0 | V ₊ | V |
| V ₊ | Supply voltage | 1.65 | 5.5 | V |
| V _I | Control input voltage | 0 | 5.5 | V |
| T _A | Operating temperature | -40 | 85 | °C |

6.4 Thermal Information

| THERMAL METRIC ⁽¹⁾ | TS5A3160 | | UNIT | |
|-------------------------------|--|-------------|------|------|
| | DBV (SOT-23) | DCK (SC-70) | | |
| | 6 PINS | 6 PINS | | |
| R _{θJA} | Junction-to-ambient thermal resistance | 165 | 259 | °C/W |

- (1) For more information about traditional and new thermal metrics, see the [Semiconductor and IC Package Thermal Metrics](#) application report.

6.5 Electrical Characteristics for 5-V Supply

 $V_+ = 4.5 \text{ V to } 5.5 \text{ V}$, $T_A = -40^\circ\text{C to } 85^\circ\text{C}$ (unless otherwise noted)⁽¹⁾

| PARAMETER | | TEST CONDITIONS | | T_A | V_+ | MIN | TYP | MAX | UNIT | |
|---|--|--|--|-------|-------|-----|------|-------|----------|---------------|
| ANALOG SWITCH | | | | | | | | | | |
| V_{COM}, V_{NC}, V_{NO} | Analog signal range | | | | | 0 | | V_+ | V | |
| r_{peak} | Peak ON resistance | $0 \leq (V_{NO} \text{ or } V_{NC}) \leq V_+$, $I_{COM} = -100 \text{ mA}$, | Switch ON, see Figure 13 | 25°C | 4.5 V | | 0.8 | 1.1 | Ω | |
| | | | | Full | | | 1.5 | | | |
| r_{on} | ON-state resistance | $V_{NO} \text{ or } V_{NC} = 2.5 \text{ V}$, $I_{COM} = -100 \text{ mA}$, | Switch ON, see Figure 13 | 25°C | 4.5 V | | 0.7 | 0.9 | Ω | |
| | | | | Full | | | 1.1 | | | |
| Δr_{on} | ON-state resistance match between channels | $V_{NO} \text{ or } V_{NC} = 2.5 \text{ V}$, $I_{COM} = -100 \text{ mA}$, | Switch ON, see Figure 13 | 25°C | 4.5 V | | 0.05 | 0.1 | Ω | |
| | | | | Full | | | 0.1 | | | |
| $r_{on(Flat)}$ | ON-state resistance flatness | $0 \leq (V_{NO} \text{ or } V_{NC}) \leq V_+$, $I_{COM} = -100 \text{ mA}$, | Switch ON, see Figure 13 | 25°C | 4.5 V | | 0.15 | | Ω | |
| | | | | 25°C | | | 0.1 | 0.25 | | |
| | | | | Full | | | 0.25 | | | |
| $I_{NC(OFF)}, I_{NO(OFF)}$ | NC, NO OFF leakage current | $V_{NC} \text{ or } V_{NO} = 1 \text{ V}$, $V_{COM} = 4.5 \text{ V}$, or $V_{NO} = 4.5 \text{ V}, V_{COM} = 1 \text{ V}$, | Switch OFF, see Figure 14 | 25°C | 5.5 V | | -20 | 2 | 20 | nA |
| | | | | Full | | | -100 | 100 | | |
| $I_{NC(PWROFF)}, I_{NO(PWROFF)}$ | | $V_{NC} \text{ or } V_{NO} = 0 \text{ to } 5.5 \text{ V}$, $V_{COM} = 5.5 \text{ V to } 0$, | Switch OFF, see Figure 14 | 25°C | 0 V | | -1 | 0.2 | 1 | μA |
| | | | | Full | | | -20 | 20 | | |
| $I_{NC(ON)}, I_{NO(ON)}$ | NC, NO ON leakage current | $V_{NC} \text{ or } V_{NO} = 0 \text{ to } V_+$, $V_{COM} = \text{Open}$, | Switch ON, see Figure 15 | 25°C | 5.5 V | | -20 | 2 | 20 | nA |
| | | | | Full | | | -100 | 100 | | |
| $I_{COM(PWROFF)}$ | COM OFF leakage current | $V_{COM} = 0 \text{ to } 5.5 \text{ V}$, $V_{NC} \text{ or } V_{NO} = 5.5 \text{ V to } 0$, | Switch OFF, see Figure 14 | 25°C | 0 V | | -1 | 0.1 | 1 | μA |
| | | | | Full | | | -20 | 20 | | |
| $I_{COM(ON)}$ | COM ON leakage current | $V_{COM} = 1 \text{ V}$, $V_{NC} \text{ or } V_{NO} = \text{Open}$, or $V_{COM} = 4.5 \text{ V}$, $V_{NC} \text{ or } V_{NO} = \text{Open}$, | Switch ON, see Figure 15 | 25°C | 5.5 V | | -20 | 2 | 20 | nA |
| | | | | Full | | | -100 | 100 | | |
| DIGITAL CONTROL INPUT (IN)⁽²⁾ | | | | | | | | | | |
| V_{IH} | Input logic high | | | Full | | | 2.4 | 5.5 | V | |
| V_{IL} | Input logic low | | | Full | | | 0 | 0.8 | V | |
| I_{IH}, I_{IL} | Input leakage current | $V_I = 5.5 \text{ V or } 0$ | | 25°C | 5.5 V | | -2 | 0.2 | nA | |
| | | | | Full | | | 100 | 100 | | |

(1) The algebraic convention, whereby the most negative value is a minimum and the most positive value is a maximum

(2) All unused digital inputs of the device must be held at V_+ or GND to ensure proper device operation. Refer to the TI application report, *Implications of Slow or Floating CMOS Inputs*, [SCBA004](#).

Electrical Characteristics for 5-V Supply (continued)
 $V_+ = 4.5 \text{ V to } 5.5 \text{ V}$, $T_A = -40^\circ\text{C to } 85^\circ\text{C}$ (unless otherwise noted)⁽¹⁾

| PARAMETER | | TEST CONDITIONS | | T_A | V_+ | MIN | TYP | MAX | UNIT |
|----------------------------------|---------------------------|---|---|-------|----------------|-----|--------|-----|------|
| DYNAMIC | | | | | | | | | |
| t_{ON} | Turnon time | $V_{COM} = V_+$, $R_L = 50 \Omega$, | $C_L = 35 \text{ pF}$, see Figure 17 | 25°C | 5 V | 2 | 3.5 | 6 | ns |
| | | | | Full | 4.5 V to 5.5 V | 1 | | 8 | |
| t_{OFF} | Turnoff time | $V_{COM} = V_+$, $R_L = 50 \Omega$, | $C_L = 35 \text{ pF}$, see Figure 17 | 25°C | 5 V | 3 | 8.5 | 13 | ns |
| | | | | Full | 4.5 V to 5.5 V | 2 | | 15 | |
| t_{MBO} | Make-before-break time | $V_{COM} = V_+$, $R_L = 50 \Omega$, | $C_L = 35 \text{ pF}$, see Figure 18 | 25°C | 5 V | 2 | 7 | 12 | ns |
| | | | | Full | 5 V to 5.5 V | 2 | | 15 | |
| Q_C | Charge injection | $V_{GEN} = 0$, $R_{GEN} = 0$, | $C_L = 1 \text{ nF}$, see Figure 22 | 25°C | 5 V | | 36.5 | | pC |
| $C_{NC(OFF)}$, $C_{NO(OFF)}$ | NC, NO OFF capacitance | V_{NC} or $V_{NO} = V_+$ or GND, Switch OFF, | See Figure 16 | 25°C | 5 V | | 18 | | pF |
| $C_{NC(ON)}$, $C_{NO(ON)}$ | NC, NO ON capacitance | V_{NC} or $V_{NO} = V_+$ or GND, Switch ON, | See Figure 16 | 25°C | 5 V | | 55 | | pF |
| $C_{COM(ON)}$ | COM ON capacitance | $V_{COM} = V_+$ or GND, Switch ON, | See Figure 16 | 25°C | 5 V | | 55 | | pF |
| C_I | Digital input capacitance | $V_I = V_+$ or GND, | See Figure 16 | 25°C | 5 V | | 2 | | pF |
| BW | Bandwidth | $R_L = 50 \Omega$, Switch ON, | See Figure 19 | 25°C | 5 V | | 100 | | MHz |
| O_{ISO} | OFF isolation | $R_L = 50 \Omega$, $f = 10 \text{ MHz}$, | See Figure 20 | 25°C | 5 V | | -64 | | dB |
| X_{TALK} | Crosstalk | $R_L = 50 \Omega$, $f = 1 \text{ MHz}$, | See Figure 20 | 25°C | 5 V | | -64 | | dB |
| THD | Total harmonic distortion | $R_L = 600 \Omega$, $C_L = 50 \text{ pF}$, | $f = 20 \text{ Hz to } 20 \text{ kHz}$, see Figure 23 | 25°C | 5 V | | 0.004% | | |
| SUPPLY | | | | | | | | | |
| I_+ | Positive supply current | $V_I = V_+$ or GND | | 25°C | 5.5 V | | 10 | 50 | nA |
| | | | | Full | | | | 500 | |

6.6 Electrical Characteristics for 3.3-V Supply

 $V_+ = 3\text{ V to }3.6\text{ V}$, $T_A = -40^\circ\text{C to }85^\circ\text{C}$ (unless otherwise noted)⁽¹⁾

| PARAMETER | | TEST CONDITIONS | | T_A | V_+ | MIN | TYP | MAX | UNIT |
|---|--|--|--|-------|-------|------|------|-------|---------------|
| ANALOG SWITCH | | | | | | | | | |
| V_{COM}, V_{NC}, V_{NO} | Analog signal range | | | | | 0 | | V_+ | V |
| r_{peak} | Peak ON resistance | $0 \leq (V_{NO} \text{ or } V_{NC}) \leq V_+$, $I_{COM} = -100\text{ mA}$, | Switch ON, see Figure 13 | 25°C | 3 V | | 1.3 | 1.6 | Ω |
| | | | | Full | | | | 2 | |
| r_{on} | ON-state resistance | $V_{NO} \text{ or } V_{NC} = 2\text{ V}$, $I_{COM} = -100\text{ mA}$, | Switch ON, see Figure 13 | 25°C | 3 V | | 1.2 | 1.5 | Ω |
| | | | | Full | | | | 1.7 | |
| Δr_{on} | ON-state resistance match between channels | $V_{NO} \text{ or } V_{NC} = 2\text{ V}, 0.8\text{ V}$, $I_{COM} = -100\text{ mA}$, | Switch ON, see Figure 13 | 25°C | 3 V | | 0.1 | 0.15 | Ω |
| | | | | Full | | | | 0.15 | |
| $r_{on(Flat)}$ | ON-state resistance flatness | $0 \leq (V_{NO} \text{ or } V_{NC}) \leq V_+$, $I_{COM} = -100\text{ mA}$, | Switch ON, see Figure 13 | 25°C | 3 V | | 0.2 | | Ω |
| | | | | 25°C | | | 0.15 | 0.3 | |
| | | | | Full | | | 0.3 | | |
| $I_{NC(OFF)}, I_{NO(OFF)}$ | NC, NO OFF leakage current | $V_{NC} \text{ or } V_{NO} = 1\text{ V}$, $V_{COM} = 3\text{ V}$, or $V_{NC} \text{ or } V_{NO} = 3\text{ V}$, $V_{COM} = 1\text{ V}$, | Switch OFF, see Figure 14 | 25°C | 3.6 V | -20 | 2 | 20 | nA |
| | | | | Full | | -50 | | 50 | |
| $I_{NC(PWROFF)}, I_{NO(PWROFF)}$ | | $V_{NC} \text{ or } V_{NO} = 0 \text{ to } 3.6\text{ V}$, $V_{COM} = 3.6\text{ V to } 0$, | Switch OFF, see Figure 14 | 25°C | 0 V | -1 | 0.2 | 1 | μA |
| | | | | Full | | -15 | | 15 | |
| $I_{NC(ON)}, I_{NO(ON)}$ | NC, NO ON leakage current | $V_{NC} \text{ or } V_{NO} = 1\text{ V}$, $V_{COM} = \text{Open}$, or $V_{NC} \text{ or } V_{NO} = 3\text{ V}$, $V_{COM} = \text{Open}$, | Switch ON, see Figure 15 | 25°C | 3.6 V | -10 | 2 | 10 | nA |
| | | | | Full | | -20 | | 20 | |
| $I_{COM(PWROFF)}$ | COM OFF leakage current | $V_{COM} = 0 \text{ to } 3.6\text{ V}$, $V_{NC} \text{ or } V_{NO} = 3.6\text{ V to } 0$, | Switch OFF, see Figure 14 | 25°C | 0 V | -1 | 0.2 | 1 | μA |
| | | | | Full | | -15 | | 15 | |
| $I_{COM(ON)}$ | COM ON leakage current | $V_{COM} = 1\text{ V}$, $V_{NC} \text{ or } V_{NO} = \text{Open}$, or $V_{COM} = 3\text{ V}$, $V_{NC} \text{ or } V_{NO} = \text{Open}$, | Switch ON, see Figure 15 | 25°C | 3.6 V | -10 | 2 | 10 | nA |
| | | | | Full | | -20 | | 20 | |
| DIGITAL CONTROL INPUT (IN)⁽²⁾ | | | | | | | | | |
| V_{IH} | Input logic high | | | Full | | 2 | | 5.5 | V |
| V_{IL} | Input logic low | | | Full | | 0 | | 0.8 | V |
| I_{IH}, I_{IL} | Input leakage current | $V_I = 5.5\text{ V or } 0$ | | 25°C | 3.6 V | -2 | | 2 | nA |
| | | | | Full | | -100 | | 100 | |

(1) The algebraic convention, whereby the most negative value is a minimum and the most positive value is a maximum

(2) All unused digital inputs of the device must be held at V_+ or GND to ensure proper device operation. Refer to the TI application report, *Implications of Slow or Floating CMOS Inputs*, [SCBA004](#).

Electrical Characteristics for 3.3-V Supply (continued)
 $V_+ = 3\text{ V to }3.6\text{ V}$, $T_A = -40^\circ\text{C to }85^\circ\text{C}$ (unless otherwise noted)⁽¹⁾

| PARAMETER | | TEST CONDITIONS | | T_A | V_+ | MIN | TYP | MAX | UNIT |
|----------------------------------|------------------------------|---|--|-------|-----------------|-----|-------|-----|------|
| DYNAMIC | | | | | | | | | |
| t_{ON} | Turnon time | $V_{COM} = V_+$, $R_L = 50\ \Omega$, | $C_L = 35\ \text{pF}$, see Figure 17 | 25°C | 3.3 V | 2 | 4.5 | 13 | ns |
| | | | | Full | 3 V to 3.6 V | 1 | | 15 | |
| t_{OFF} | Turnoff time | $V_{COM} = V_+$, $R_L = 50\ \Omega$, | $C_L = 35\ \text{pF}$, see Figure 17 | 25°C | 3.3 V | 3 | 9 | 15 | ns |
| | | | | Full | 3 V to 3.6 V | 2 | | 20 | |
| t_{MBB} | Make-before-break time | $V_{COM} = V_+$, $R_L = 50\ \Omega$, | $C_L = 35\ \text{pF}$, see Figure 18 | 25°C | 3.3 V | 1 | 7 | 12 | ns |
| | | | | Full | 3 V to 3.6 V | 1 | | 15 | |
| Q_C | Charge injection | $V_{GEN} = 0$, $R_{GEN} = 0$, | $C_L = 1\ \text{nF}$, see Figure 22 | 25°C | 3.3 V | | 20 | | pC |
| $C_{NC(OFF)}$, $C_{NO(OFF)}$ | NC, NO OFF capacitance | V_{NC} or $V_{NO} = V_+$ or GND, Switch OFF, | See Figure 16 | 25°C | 3.3 V | | 18 | | pF |
| $C_{NC(ON)}$, $C_{NO(ON)}$ | NC, NO ON capacitance | V_{NC} or $V_{NO} = V_+$ or GND, Switch ON, | See Figure 16 | 25°C | 3.3 V | | 55 | | pF |
| $C_{COM(ON)}$ | COM ON capacitance | $V_{COM} = V_+$ or GND, Switch ON, | See Figure 16 | 25°C | 3.3 V | | 55 | | pF |
| C_I | Digital input capacitance | $V_I = V_+$ or GND, | See Figure 16 | 25°C | 3.3 V | | 2 | | pF |
| BW | Bandwidth | $R_L = 50\ \Omega$, Switch ON, | See Figure 19 | 25°C | 3.3 V | | 100 | | MHz |
| O_{ISO} | OFF isolation | $R_L = 50\ \Omega$, $f = 10\ \text{MHz}$, | See Figure 20 | 25°C | 3.3 V | | -64 | | dB |
| X_{TALK} | Crosstalk | $R_L = 50\ \Omega$, $f = 1\ \text{MHz}$, | See Figure 20 | 25°C | 3.3 V | | -64 | | dB |
| THD | Total harmonic distortion | $R_L = 600\ \Omega$, $C_L = 50\ \text{pF}$, | $f = 20\ \text{Hz to }20\ \text{kHz}$, see Figure 23 | 25°C | 3.3 V | | 0.01% | | |
| SUPPLY | | | | | | | | | |
| I_+ | Positive supply current | $V_I = V_+$ or GND | | 25°C | 3.6 V | | 10 | 30 | nA |
| | | | | Full | | | | 100 | |

6.7 Electrical Characteristics for 2.5-V Supply

 $V_+ = 2.3 \text{ V to } 2.7 \text{ V}$, $T_A = -40^\circ\text{C to } 85^\circ\text{C}$ (unless otherwise noted)⁽¹⁾

| PARAMETER | | TEST CONDITIONS | | T_A | V_+ | MIN | TYP | MAX | UNIT |
|---|--|--|--|-------|-------|-----|------|-------|---------------|
| ANALOG SWITCH | | | | | | | | | |
| V_{COM}, V_{NC}, V_{NO} | Analog signal range | | | | | 0 | | V_+ | V |
| r_{peak} | Peak ON resistance | $0 \leq (V_{NO} \text{ or } V_{NC}) \leq V_+$, $I_{COM} = -8 \text{ mA}$, | Switch ON, see Figure 13 | 25°C | 2.3 V | | 1.8 | 2.5 | Ω |
| | | | | Full | | | 2.7 | | |
| r_{on} | ON-state resistance | $V_{NO} \text{ or } V_{NC} = 1.8 \text{ V}$, $I_{COM} = -8 \text{ mA}$, | Switch ON, see Figure 13 | 25°C | 2.3 V | | 1.5 | 2 | Ω |
| | | | | Full | | | 2.4 | | |
| Δr_{on} | ON-state resistance match between channels | $V_{NO} \text{ or } V_{NC} = 1.8 \text{ V}$, $I_{COM} = -8 \text{ mA}$, | Switch ON, see Figure 13 | 25°C | 2.3 V | | 0.15 | 0.2 | Ω |
| | | | | Full | | | 0.2 | | |
| $r_{on(Flat)}$ | ON-state resistance flatness | $0 \leq (V_{NO} \text{ or } V_{NC}) \leq V_+$, $I_{COM} = -8 \text{ mA}$, | Switch ON, see Figure 13 | 25°C | 2.3 V | | 2.6 | | Ω |
| | | | | 25°C | | | 0.6 | 1 | |
| | | | | Full | | | 1 | | |
| $I_{NC(OFF)}, I_{NO(OFF)}$ | NC, NO OFF leakage current | $V_{NC} \text{ or } V_{NO} = 0.5 \text{ V}$, $V_{COM} = 2.2 \text{ V}$, or $V_{NC} \text{ or } V_{NO} = 2.2 \text{ V}$, $V_{COM} = 0.5 \text{ V}$, | Switch OFF, see Figure 14 | 25°C | 2.3 V | -20 | 2 | 20 | nA |
| | | | | Full | | | -50 | 50 | |
| $I_{NC(PWROFF)}, I_{NO(PWROFF)}$ | | $V_{NC} \text{ or } V_{NO} = 0 \text{ to } 2.7 \text{ V}$, $V_{COM} = 2.7 \text{ V to } 0$, | Switch OFF, see Figure 14 | 25°C | 0 V | -1 | 0.1 | 1 | μA |
| | | | | Full | | | -10 | 10 | |
| $I_{NC(ON)}, I_{NO(ON)}$ | NC, NO ON leakage current | $V_{NC} \text{ or } V_{NO} = 0.5 \text{ V}$, $V_{COM} = \text{Open}$, or $V_{NC} \text{ or } V_{NO} = 2.2 \text{ V}$, $V_{COM} = \text{Open}$, | Switch ON, see Figure 15 | 25°C | 2.7 V | -10 | 2 | 10 | nA |
| | | | | Full | | | -20 | 20 | |
| $I_{COM(PWROFF)}$ | COM OFF leakage current | $V_{COM} = 0 \text{ to } 2.7 \text{ V}$, $V_{NC} \text{ or } V_{NO} = 2.7 \text{ V to } 0$, | Switch OFF, see Figure 14 | 25°C | 0 V | -1 | 0.1 | 1 | μA |
| | | | | Full | | | -10 | 10 | |
| $I_{COM(ON)}$ | COM ON leakage current | $V_{COM} = 0.5 \text{ V}$, $V_{NC} \text{ or } V_{NO} = \text{Open}$, or $V_{COM} = 2.2 \text{ V}$, $V_{NC} \text{ or } V_{NO} = \text{Open}$, | Switch ON, see Figure 15 | 25°C | 2.7 V | -10 | 2 | 10 | nA |
| | | | | Full | | | -20 | 20 | |
| DIGITAL CONTROL INPUT (IN)⁽²⁾ | | | | | | | | | |
| V_{IH} | Input logic high | | | Full | | 1.8 | | 5.5 | V |
| V_{IL} | Input logic low | | | Full | | 0 | | 0.6 | V |
| I_{IH}, I_{IL} | Input leakage current | $V_I = 5.5 \text{ V or } 0$ | | 25°C | 2.7 V | -2 | | 2 | nA |
| | | | | Full | | | -20 | 20 | |

(1) The algebraic convention, whereby the most negative value is a minimum and the most positive value is a maximum

(2) All unused digital inputs of the device must be held at V_+ or GND to ensure proper device operation. Refer to the TI application report, *Implications of Slow or Floating CMOS Inputs*, [SCBA004](#).

Electrical Characteristics for 2.5-V Supply (continued)
 $V_+ = 2.3 \text{ V to } 2.7 \text{ V}$, $T_A = -40^\circ\text{C to } 85^\circ\text{C}$ (unless otherwise noted)⁽¹⁾

| PARAMETER | | TEST CONDITIONS | | T_A | V_+ | MIN | TYP | MAX | UNIT |
|----------------------------------|---------------------------------|---|---|-------|----------------------|-----|-------|-----|------|
| DYNAMIC | | | | | | | | | |
| t_{ON} | Turnon time | $V_{COM} = V_+$, $R_L = 50 \Omega$, | $C_L = 35 \text{ pF}$, see Figure 17 | 25°C | 2.5 V | 2 | 6.5 | 15 | ns |
| | | | | Full | 2.3 V to 2.7 V | 1 | | 17 | |
| t_{OFF} | Turnoff time | $V_{COM} = V_+$, $R_L = 50 \Omega$, | $C_L = 35 \text{ pF}$, see Figure 17 | 25°C | 2.5 V | 3 | 11 | 18 | ns |
| | | | | Full | 2.3 V to 2.7 V | 2 | | 20 | |
| t_{MBB} | Make-before-break time | $V_{COM} = V_+$, $R_L = 50 \Omega$, | $C_L = 35 \text{ pF}$, see Figure 18 | 25°C | 2.5 V | 1 | 8 | 12 | ns |
| | | | | Full | 2.3 V to 2.7 V | 1 | | 15 | |
| Q_C | Charge injection | $V_{GEN} = 0$, $R_{GEN} = 0$, | $C_L = 1 \text{ nF}$, see Figure 22 | 25°C | 2.5 V | | 12 | | pC |
| $C_{NC(OFF)}$, $C_{NO(OFF)}$ | NC, NO OFF capacitance | V_{NC} or $V_{NO} = V_+$ or GND, Switch OFF, | See Figure 16 | 25°C | 2.5 V | | 18 | | pF |
| $C_{NC(ON)}$, $C_{NO(ON)}$ | NC, NO ON capacitance | V_{NC} or $V_{NO} = V_+$ or GND, Switch ON, | See Figure 16 | 25°C | 2.5 V | | 55 | | pF |
| $C_{COM(ON)}$ | COM ON capacitance | $V_{COM} = V_+$ or GND, Switch ON, | See Figure 16 | 25°C | 2.5 V | | 55 | | pF |
| C_I | Digital input capacitance | $V_I = V_+$ or GND, | See Figure 16 | 25°C | 2.5 V | | 2 | | pF |
| BW | Bandwidth | $R_L = 50 \Omega$, Switch ON, | See Figure 19 | 25°C | 2.5 V | | 100 | | MHz |
| O_{ISO} | OFF isolation | $R_L = 50 \Omega$, $f = 10 \text{ MHz}$, | See Figure 20 | 25°C | 2.5 V | | -64 | | dB |
| X_{TALK} | Crosstalk | $R_L = 50 \Omega$, $f = 1 \text{ MHz}$, | See Figure 20 | 25°C | 2.5 V | | -64 | | dB |
| THD | Total harmonic distortion | $R_L = 600 \Omega$, $C_L = 50 \text{ pF}$, | $f = 20 \text{ Hz to } 20 \text{ kHz}$, see Figure 23 | 25°C | 2.5 V | | 0.02% | | |
| SUPPLY | | | | | | | | | |
| I_+ | Positive supply current | $V_I = V_+$ or GND | | 25°C | 2.7 V | | 10 | 30 | nA |
| | | | | Full | | | | 50 | |

6.8 Electrical Characteristics for 1.8-V Supply

 $V_+ = 1.65\text{ V to }1.95\text{ V}$, $T_A = -40^\circ\text{C to }85^\circ\text{C}$ (unless otherwise noted)⁽¹⁾

| PARAMETER | | TEST CONDITIONS | | T_A | V_+ | MIN | TYP | MAX | UNIT |
|---|--|--|--|-------|--------|----------|-----|-------|---------------|
| ANALOG SWITCH | | | | | | | | | |
| V_{COM} , V_{NC} , V_{NO} | Analog signal range | | | | | 0 | | V_+ | V |
| r_{peak} | Peak ON resistance | $0 \leq (V_{NO} \text{ or } V_{NC}) \leq V_+$, $I_{COM} = -2\text{ mA}$, | Switch ON, see Figure 13 | 25°C | 1.65 V | 5 | | | Ω |
| | | | | Full | | 15 | | | |
| r_{on} | ON-state resistance | $V_{NO} \text{ or } V_{NC} = 1.5\text{ V}$, $I_{COM} = -2\text{ mA}$, | Switch ON, see Figure 13 | 25°C | 1.65 V | 2 2.5 | | | Ω |
| | | | | Full | | 3.5 | | | |
| Δr_{on} | ON-state resistance match between channels | $V_{NO} \text{ or } V_{NC} = 1.5\text{ V}$, $I_{COM} = -2\text{ mA}$, | Switch ON, see Figure 13 | 25°C | 1.65 V | 0.15 0.4 | | | Ω |
| | | | | Full | | 0.4 | | | |
| $r_{on(Flat)}$ | ON-state resistance flatness | $0 \leq (V_{NO} \text{ or } V_{NC}) \leq V_+$, $I_{COM} = -2\text{ mA}$, | Switch ON, see Figure 13 | 25°C | 1.65 V | 5 | | | Ω |
| | | | | 25°C | | 4.5 | | | |
| | | | | Full | | | | | |
| $I_{NC(OFF)}$, $I_{NO(OFF)}$ | NC, NO OFF leakage current | $V_{NC} \text{ or } V_{NO} = 0.3\text{ V}$, $V_{COM} = 1.65\text{ V}$, or $V_{NC} \text{ or } V_{NO} = 1.65\text{ V}$, $V_{COM} = 0.3\text{ V}$, | Switch OFF, see Figure 14 | 25°C | 1.95 V | -5 | 2 | 5 | nA |
| | | | | Full | | -20 | | 20 | |
| $I_{NC(PWROFF)}$, $I_{NO(PWROFF)}$ | | $V_{NC} \text{ or } V_{NO} = 0 \text{ to } 1.95\text{ V}$, $V_{COM} = 1.95\text{ V to } 0$, | Switch OFF, see Figure 14 | 25°C | 0 V | -1 | 0.1 | 1 | μA |
| | | | | Full | | -5 | | 5 | |
| $I_{NC(ON)}$, $I_{NO(ON)}$ | NC, NO ON leakage current | $V_{NC} \text{ or } V_{NO} = 0.3\text{ V}$, $V_{COM} = \text{Open}$, or $V_{NC} \text{ or } V_{NO} = 1.65\text{ V}$, $V_{COM} = \text{Open}$, | Switch ON, see Figure 15 | 25°C | 1.95 V | -5 | 2 | 5 | nA |
| | | | | Full | | -20 | | 20 | |
| $I_{COM(PWROFF)}$ | COM OFF leakage current | $V_{COM} = 0 \text{ to } 1.95\text{ V}$, $V_{NC} \text{ or } V_{NO} = 1.95\text{ V to } 0$, | Switch OFF, see Figure 14 | 25°C | 0 V | -1 | 0.1 | 1 | μA |
| | | | | Full | | -5 | | 5 | |
| $I_{COM(ON)}$ | COM ON leakage current | $V_{COM} = 0.3\text{ V}$, $V_{NC} \text{ or } V_{NO} = \text{Open}$, or $V_{COM} = 1.65\text{ V}$, $V_{NC} \text{ or } V_{NO} = \text{Open}$, | Switch ON, see Figure 15 | 25°C | 1.95 V | -5 | 2 | 5 | nA |
| | | | | Full | | -20 | | 20 | |
| DIGITAL CONTROL INPUT (IN)⁽²⁾ | | | | | | | | | |
| V_{IH} | Input logic high | | | Full | | 1.5 | | 5.5 | V |
| V_{IL} | Input logic low | | | Full | | 0 | | 0.6 | V |
| I_{IH} , I_{IL} | Input leakage current | $V_I = 5.5\text{ V or } 0$ | | 25°C | 1.95 V | -2 2 | | | nA |
| | | | | Full | | -20 20 | | | |

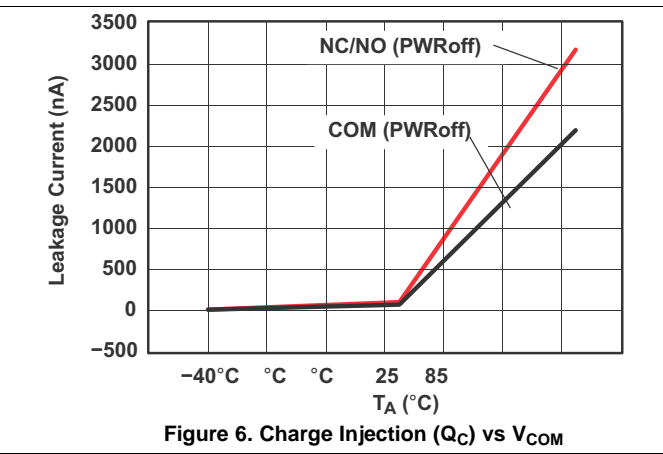
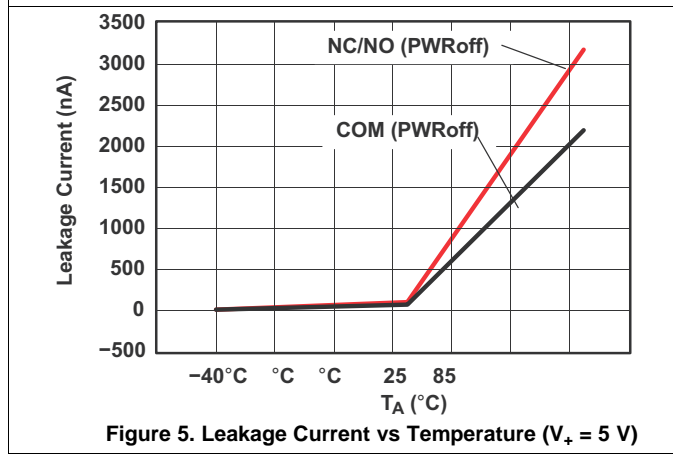
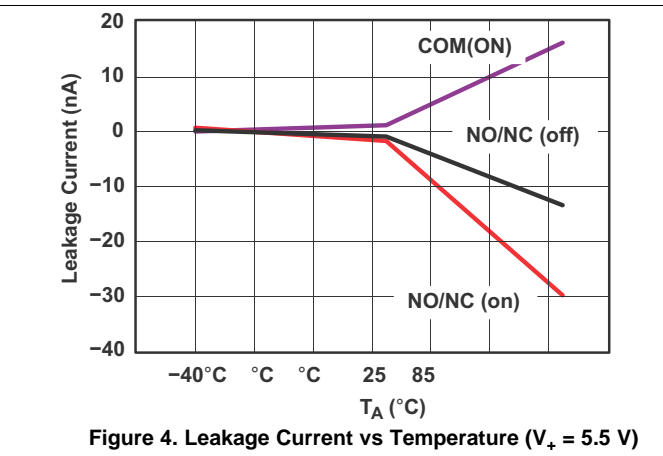
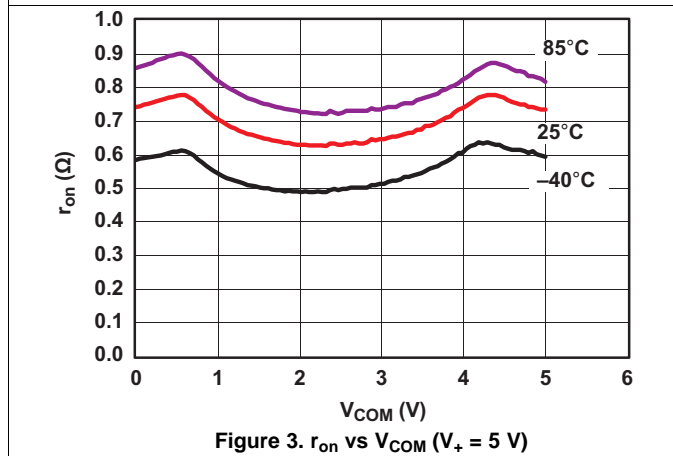
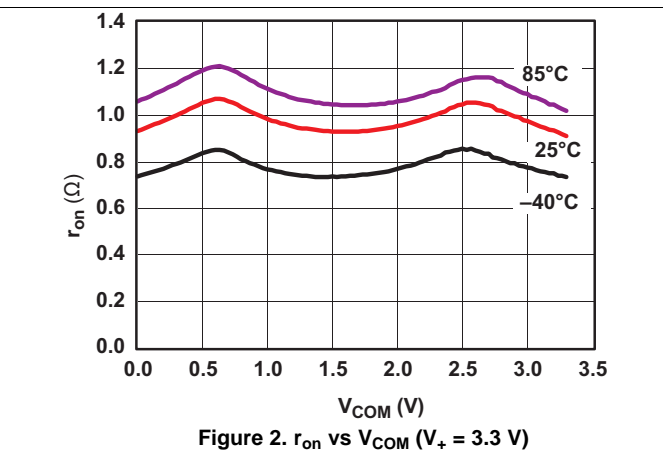
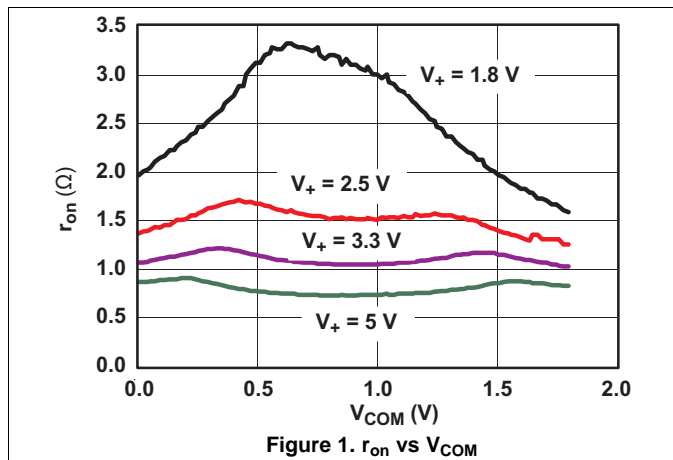
(1) The algebraic convention, whereby the most negative value is a minimum and the most positive value is a maximum

(2) All unused digital inputs of the device must be held at V_+ or GND to ensure proper device operation. Refer to the TI application report, *Implications of Slow or Floating CMOS Inputs*, [SCBA004](#).

Electrical Characteristics for 1.8-V Supply (continued)
 $V_+ = 1.65\text{ V to }1.95\text{ V}$, $T_A = -40^\circ\text{C to }85^\circ\text{C}$ (unless otherwise noted)⁽¹⁾

| PARAMETER | | TEST CONDITIONS | | T_A | V_+ | MIN | TYP | MAX | UNIT |
|----------------------------------|------------------------------|---|--|-------|-------------------|-----|-------|-----|------|
| DYNAMIC | | | | | | | | | |
| t_{ON} | Turnon time | $V_{COM} = V_+$, $R_L = 50\ \Omega$, | $C_L = 35\text{ pF}$, see Figure 17 | 25°C | 1.8 V | 6 | 13 | 24 | ns |
| | | | | Full | 2.3 V to 2.7 V | 5 | | 27 | |
| t_{OFF} | Turnoff time | $V_{COM} = V_+$, $R_L = 50\ \Omega$, | $C_L = 35\text{ pF}$, see Figure 17 | 25°C | 1.8 V | 6 | 15 | 27 | ns |
| | | | | Full | 2.3 V to 2.7 V | 5 | | 30 | |
| t_{MBB} | Make-before-break time | $V_{COM} = V_+$, $R_L = 50\ \Omega$, | $C_L = 35\text{ pF}$, see Figure 18 | 25°C | 1.8 V | 2 | 7 | 12 | ns |
| | | | | Full | 2.3 V to 2.7 V | 2 | | 15 | |
| Q_C | Charge injection | $V_{GEN} = 0$, $R_{GEN} = 0$, | $C_L = 1\text{ nF}$, see Figure 22 | 25°C | 1.8 V | | 5.5 | | pC |
| $C_{NC(OFF)}$, $C_{NO(OFF)}$ | NC, NO OFF capacitance | V_{NC} or $V_{NO} = V_+$ or GND, Switch OFF, | See Figure 16 | 25°C | 1.8 V | | 18 | | pF |
| $C_{NC(ON)}$, $C_{NO(ON)}$ | NC, NO ON capacitance | V_{NC} or $V_{NO} = V_+$ or GND, Switch ON, | See Figure 16 | 25°C | 1.8 V | | 55 | | pF |
| $C_{COM(ON)}$ | COM ON capacitance | $V_{COM} = V_+$ or GND, Switch ON, | See Figure 16 | 25°C | 1.8 V | | 55 | | pF |
| C_I | Digital input capacitance | $V_I = V_+$ or GND, | See Figure 16 | 25°C | 1.8 V | | 2 | | pF |
| BW | Bandwidth | $R_L = 50\ \Omega$, Switch ON, | See Figure 19 | 25°C | 1.8 V | | 105 | | MHz |
| O_{ISO} | OFF isolation | $R_L = 50\ \Omega$, $f = 10\text{ MHz}$, | See Figure 20 | 25°C | 1.8 V | | -64 | | dB |
| X_{TALK} | Crosstalk | $R_L = 50\ \Omega$, $f = 1\text{ MHz}$, | See Figure 20 | 25°C | 1.8 V | | -64 | | dB |
| THD | Total harmonic distortion | $R_L = 600\ \Omega$, $C_L = 50\text{ pF}$, | $f = 20\text{ Hz to }20\text{ kHz}$, see Figure 23 | 25°C | 1.8 V | | 0.06% | | |
| SUPPLY | | | | | | | | | |
| I_+ | Positive supply current | $V_I = V_+$ or GND | | 25°C | 1.95 V | | 5 | 15 | nA |
| | | | | Full | | | | 50 | |

6.9 Typical Characteristics



Typical Characteristics (continued)

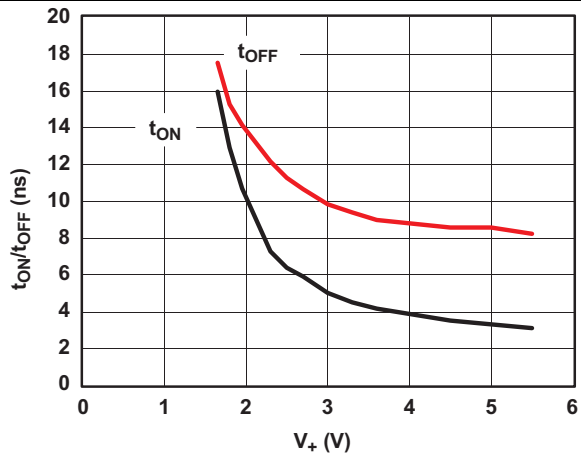


Figure 7. t_{ON} and t_{OFF} vs Supply Voltage

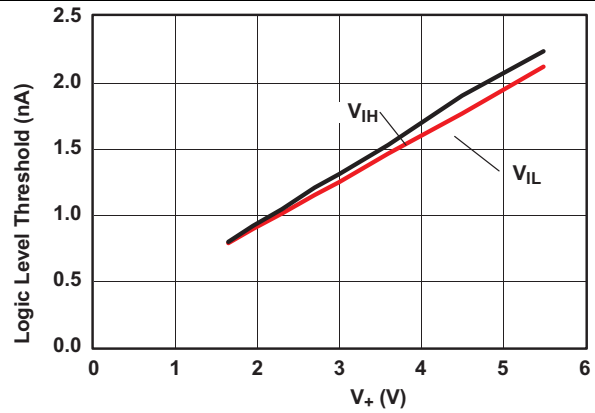


Figure 8. Logic-Level Threshold vs V_+

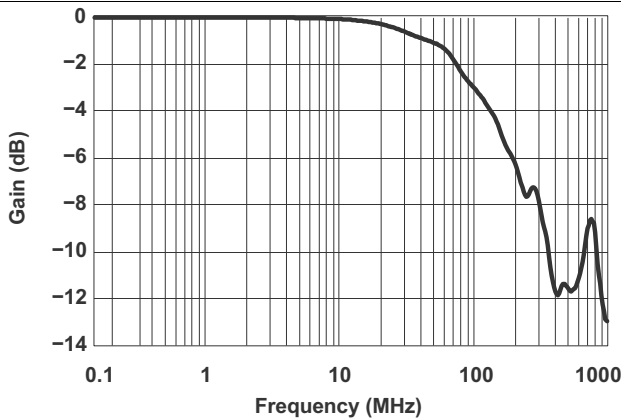


Figure 9. Bandwidth (Gain vs Frequency) ($V_+ = 5\text{ V}$)

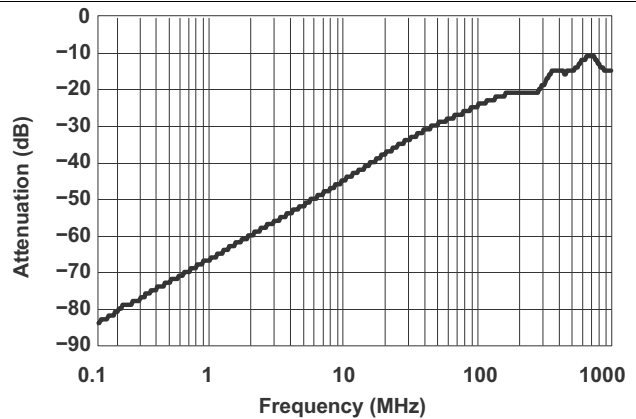


Figure 10. OFF Isolation vs Crosstalk ($V_+ = 5\text{ V}$)

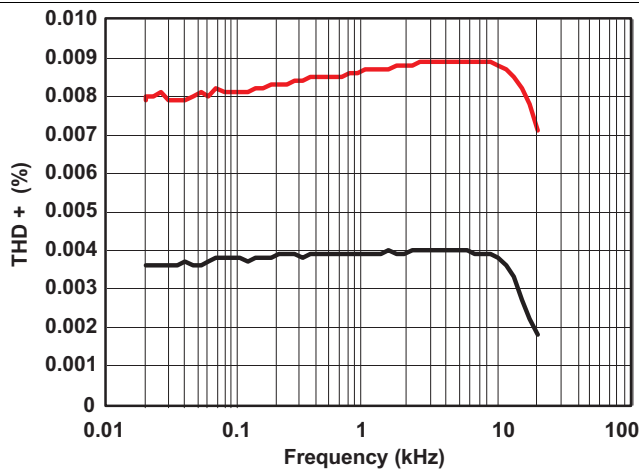


Figure 11. Total Harmonic Distortion vs Frequency

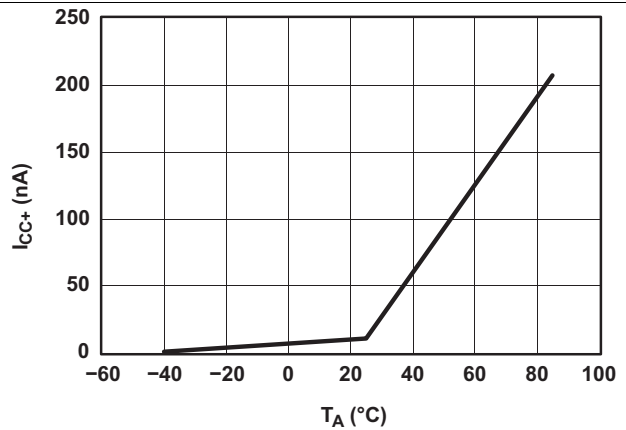


Figure 12. Power-Supply Current vs Temperature ($V_+ = 5\text{ V}$)

7 Parameter Measurement Information

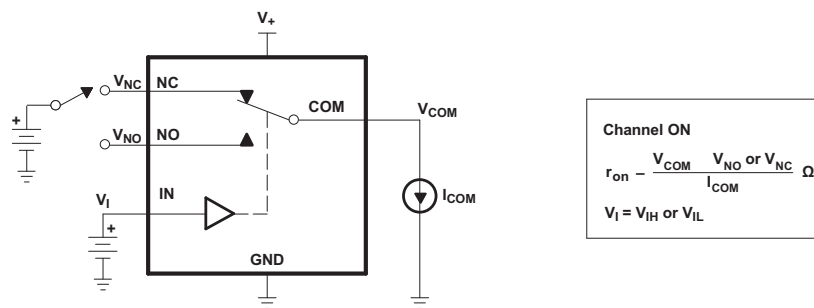


Figure 13. ON-State Resistance (r_{on})

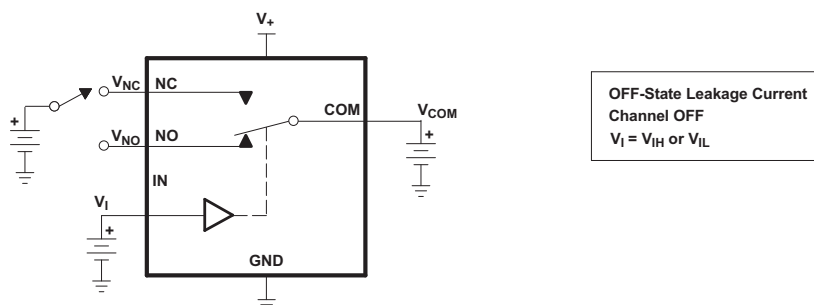


Figure 14. OFF-State Leakage Current ($I_{NC(OFF)}$, $I_{NO(OFF)}$, $I_{COM(OFF)}$, $I_{NC(PWROFF)}$, $I_{NO(PWROFF)}$, $I_{COM(PWROFF)}$)

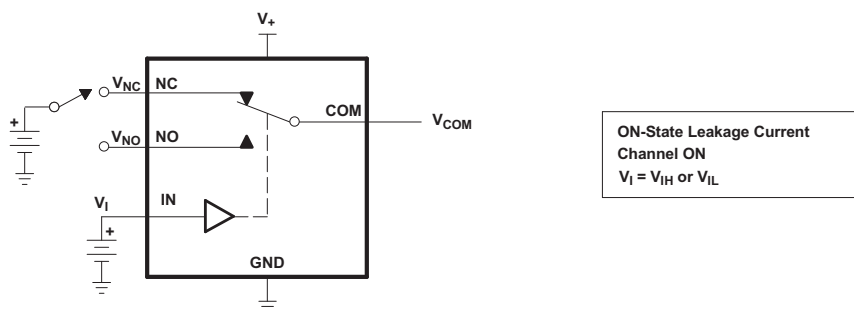


Figure 15. ON-State Leakage Current ($I_{COM(ON)}$, $I_{NC(ON)}$, $I_{NO(ON)}$)

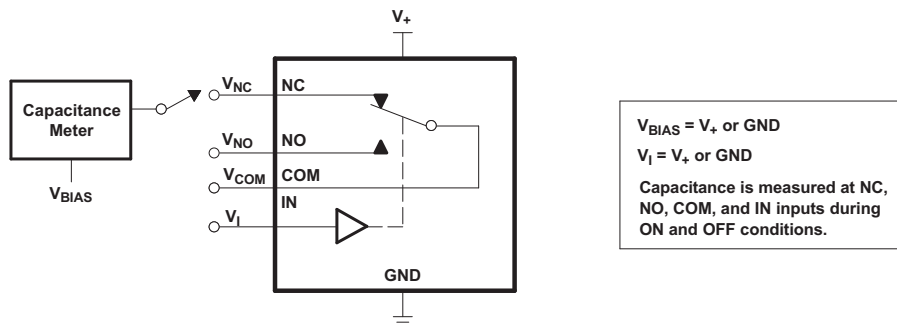
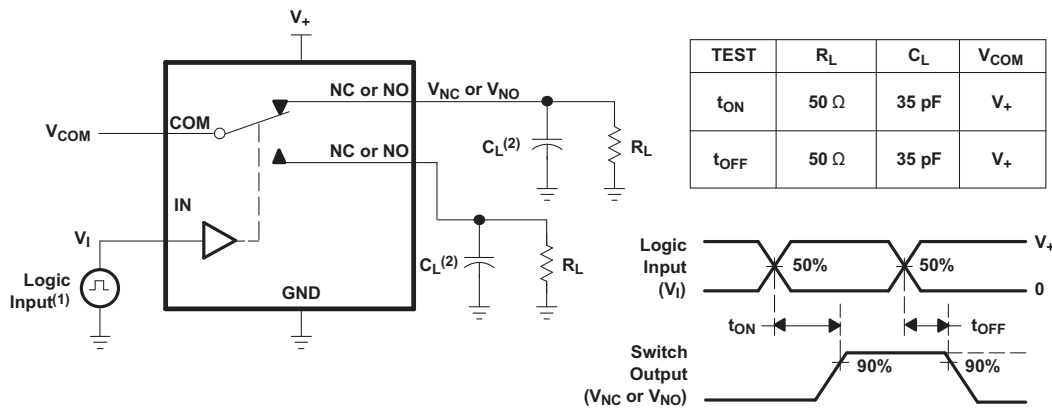


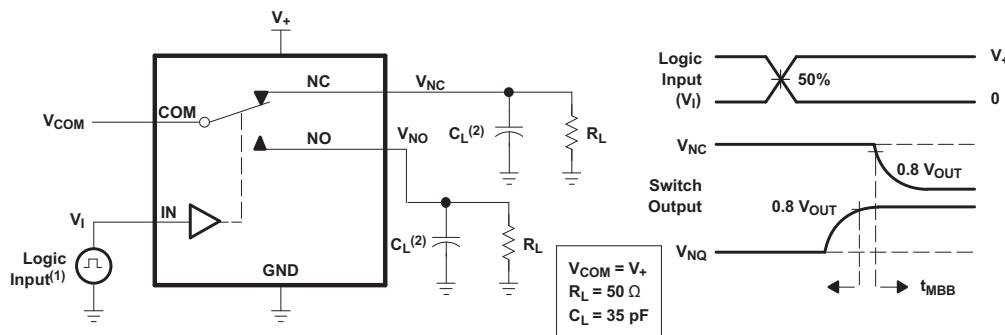
Figure 16. Capacitance (C_I , $C_{COM(ON)}$, $C_{NC(OFF)}$, $C_{NO(OFF)}$, $C_{NC(ON)}$, $C_{NO(ON)}$)

Parameter Measurement Information (continued)



- A. All input pulses are supplied by generators having the following characteristics: PRR ≤ 10 MHz, ZO = 50 Ω, tr < 5 ns, tf < 5 ns.
- B. CL includes probe and jig capacitance.

Figure 17. Turnon (tON) and Turnoff Time (tOFF)



- A. All input pulses are supplied by generators having the following characteristics: PRR ≤ 10 MHz, ZO = 50 Ω, tr < 5 ns, tf < 5 ns.
- B. CL includes probe and jig capacitance.

Figure 18. Make-Before-Break Time (tMBS)

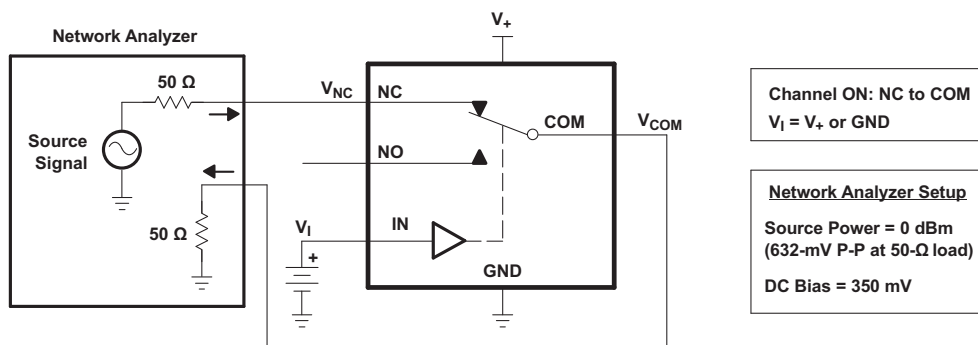


Figure 19. Bandwidth (BW)

Parameter Measurement Information (continued)

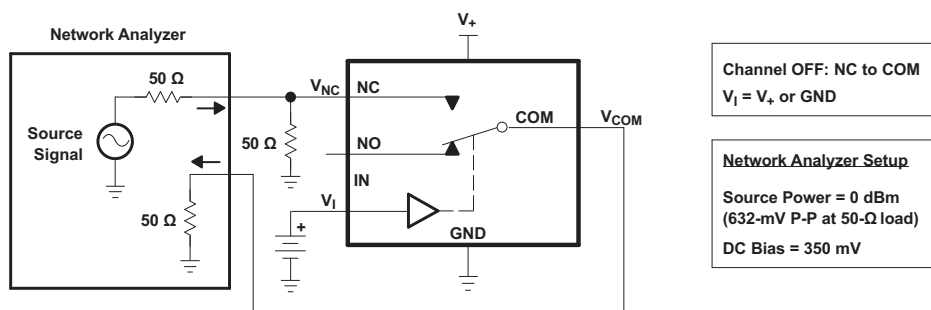


Figure 20. OFF Isolation (OISO)

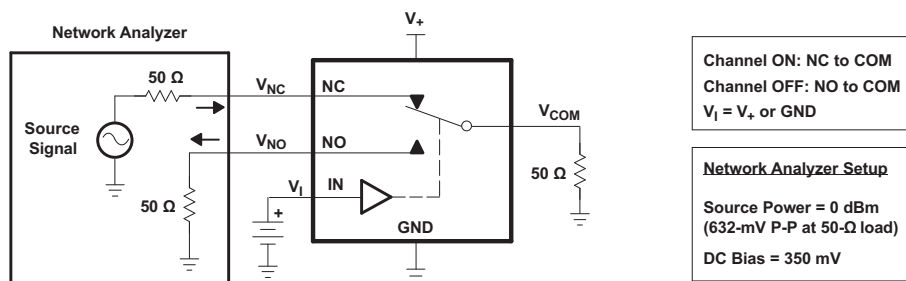
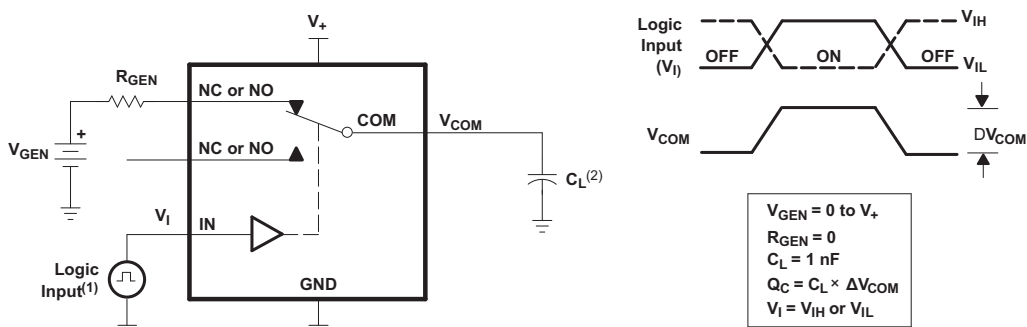


Figure 21. Crosstalk (X_{TALK})



- (1) All input pulses are supplied by generators having the following characteristics: PRR ≤ 10 MHz, Z_O = 50 Ω, t_r < 5 ns, t_f < 5 ns.
- A. C_L includes probe and jig capacitance.

Figure 22. Charge Injection (Q_C)

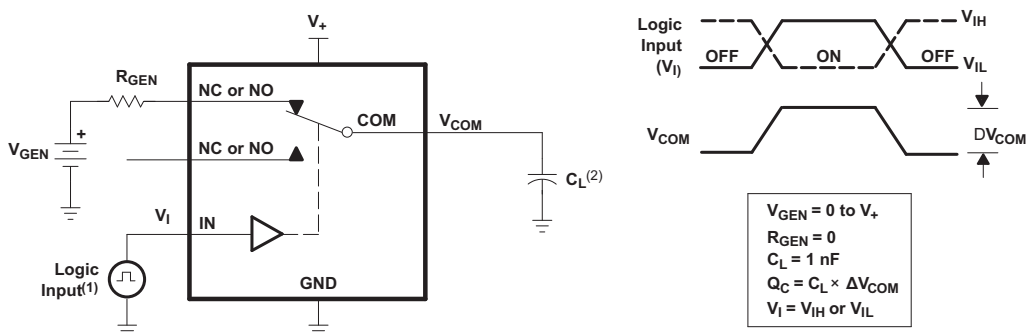


Figure 23. Total Harmonic Distortion (THD)

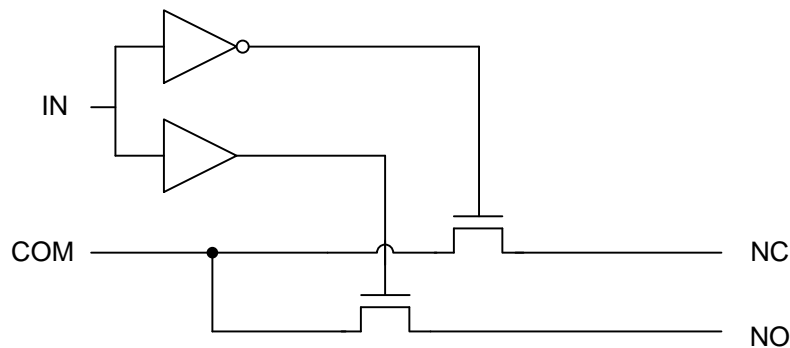
8 Detailed Description

8.1 Overview

The TS5A3160 is a single-pole-double-throw (SPDT) solid-state analog switch. The TS5A3160, like all analog switches, is bidirectional. When powered on, each COM pin is connected to the NC pin. For this device, NC stands for *normally closed* and NO stands for *normally open*. If IN is low, COM is connected to NC. If IN is high, COM is connected to NO.

The TS5A3160 is a make-before-break switch. This means that during switching, a connection is made before the existing connection is broken. During this brief period, the NC and NO pins are connected to each other.

8.2 Functional Block Diagram



8.3 Feature Description

The low ON-state resistance, ON-state resistance matching, and charge injection in the TS5A3160 make this switch an excellent choice for analog signals that require minimal distortion. In addition, the low THD allows audio signals to be preserved more clearly as they pass through the device.

The 1.65-V to 5.5-V operation allows compatibility with more logic levels, and the bidirectional I/Os can pass analog signals from 0 V to V_+ with low distortion.

8.4 Device Functional Modes

[Table 1](#) lists the functional modes for the TS5A3160.

Table 1. Function Table

| IN | NC TO COM, COM TO NC | NO TO COM, COM TO NO |
|----|-------------------------|-------------------------|
| L | ON | OFF |
| H | OFF | ON |

9 Application and Implementation

NOTE

Information in the following applications sections is not part of the TI component specification, and TI does not warrant its accuracy or completeness. TI's customers are responsible for determining suitability of components for their purposes. Customers should validate and test their design implementation to confirm system functionality.

9.1 Application Information

The TS5A3160 can be used in a variety of customer systems. The TS5A3160 can be used anywhere multiple analog or digital signals must be selected to pass across a single line.

9.2 Typical Application

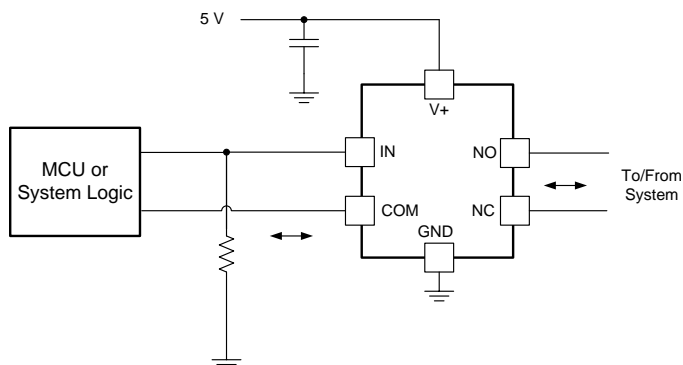


Figure 24. System Schematic for TS5A3160

9.2.1 Design Requirements

In this particular application, V_+ was 1.8 V, although V_+ is allowed to be any voltage specified in [Recommended Operating Conditions](#). A decoupling capacitor is recommended on the V_+ pin. See [Power Supply Recommendations](#) for more details.

9.2.2 Detailed Design Procedure

In this application, IN is, by default, pulled low to GND. Choose the resistor size based on the current driving strength of the GPIO, the desired power consumption, and the switching frequency (if applicable). If the GPIO is open-drain, use pullup resistors instead.

9.2.3 Application Curve

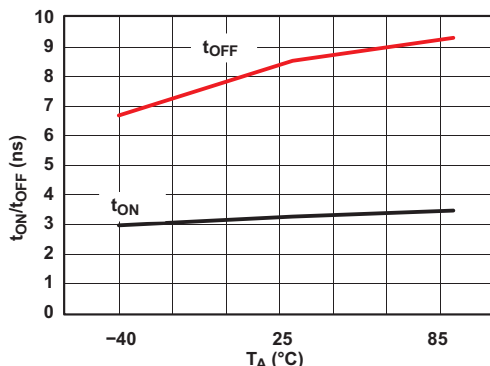


Figure 25. t_{ON} and t_{OFF} vs Temperature ($V_+ = 5$ V)

10 Power Supply Recommendations

The power supply can be any voltage between the minimum and maximum supply voltage rating located in the [Recommended Operating Conditions](#).

Each V_{CC} terminal should have a good bypass capacitor to prevent power disturbance. For devices with a single-supply, a 0.1- μF bypass capacitor is recommended. If there are multiple pins labeled V_{CC} , then a 0.01- μF or 0.022- μF capacitor is recommended for each V_{CC} because the V_{CC} pins will be tied together internally. For devices with dual-supply pins operating at different voltages, for example V_{CC} and V_{DD} , a 0.1- μF bypass capacitor is recommended for each supply pin. It is acceptable to parallel multiple bypass capacitors to reject different frequencies of noise. 0.1- μF and 1- μF capacitors are commonly used in parallel. The bypass capacitor should be installed as close to the power terminal as possible for best results.

11 Layout

11.1 Layout Guidelines

Reflections and matching are closely related to loop antenna theory, but different enough to warrant their own discussion. When a PCB trace turns a corner at a 90° angle, a reflection can occur. This is primarily due to the change of width of the trace. At the apex of the turn, the trace width is increased to 1.414 times its width. This upsets the transmission line characteristics, especially the distributed capacitance and self-inductance of the trace — resulting in the reflection. It is a given that not all PCB traces can be straight, and so they will have to turn corners. Below figure shows progressively better techniques of rounding corners. Only the last example maintains constant trace width and minimizes reflections.

Unused switch I/Os, such as NO, NC, and COM, can be left floating or tied to GND. However, the IN pin must be driven high or low. Due to partial transistor turnon when control inputs are at threshold levels, floating control inputs can cause increased I_{CC} or unknown switch selection states.

11.2 Layout Example

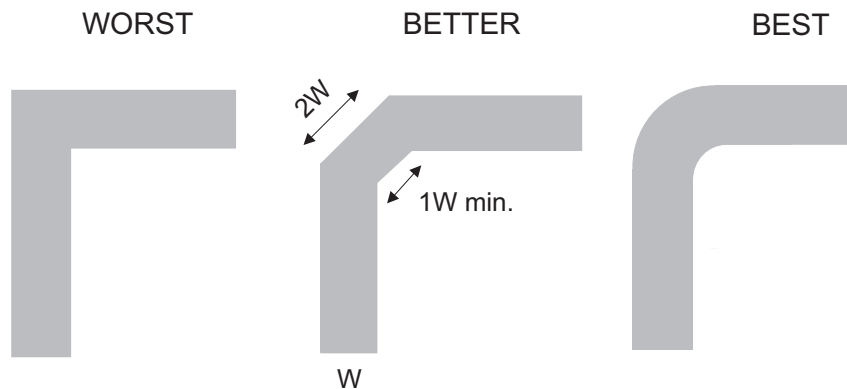


Figure 26. Trace Example

12 Device and Documentation Support

12.1 Device Support

12.1.1 Device Nomenclature

Table 2. Parameter Description

| SYMBOL | DESCRIPTION |
|-------------------|--|
| V_{COM} | Voltage at COM |
| V_{NC} | Voltage at NC |
| V_{NO} | Voltage at NO |
| r_{on} | Resistance between COM and NO ports when the channel is ON |
| r_{peak} | Peak on-state resistance over a specified voltage range |
| Δr_{on} | Difference of r_{on} between channels in a specific device |
| $r_{on(flat)}$ | Difference between the maximum and minimum value of r_{on} in a channel over the specified range of conditions |
| $I_{NC(OFF)}$ | Leakage current measured at the NC port, with the corresponding channel (NC to COM) in the OFF state under worst-case input and output conditions |
| $I_{NC(PWROFF)}$ | Leakage current measured at the NC port during the power-off condition, $V_+ = 0$ |
| $I_{NO(OFF)}$ | Leakage current measured at the NO port, with the corresponding channel (NO to COM) in the OFF state |
| $I_{NO(PWROFF)}$ | Leakage current measured at the NO port during the power-off condition, $V_+ = 0$ |
| $I_{NC(ON)}$ | Leakage current measured at the NC port, with the corresponding channel (NC to COM) in the ON state and the output (COM) open |
| $I_{NO(ON)}$ | Leakage current measured at the NO port, with the corresponding channel (NO to COM) in the ON state and the output (COM) open |
| $I_{NO(OFF)}$ | Leakage current measured at the NO port, with the corresponding channel (NO to COM) in the OFF state and the output (COM) open |
| $I_{NO(ON)}$ | Leakage current measured at the NO port, with the corresponding channel (NO to COM) in the ON state and the output (COM) open |
| $I_{COM(OFF)}$ | Leakage current measured at the COM port, with the corresponding channel (COM to NO) in the OFF state |
| $I_{COM(PWROFF)}$ | Leakage current measured at the COM port during the power-off condition, $V_+ = 0$ |
| $I_{COM(ON)}$ | Leakage current measured at the COM port, with the corresponding channel (COM to NO) in the ON state and the output (NO) open |
| V_{IH} | Minimum input voltage for logic high for the control input (IN) |
| V_{IL} | Maximum input voltage for logic low for the control input (IN) |
| V_I | Voltage at the control input (IN) |
| I_{IH}, I_{IL} | Leakage current measured at the control input (IN) |
| t_{ON} | Turn-on time for the switch. This parameter is measured under the specified range of conditions and by the propagation delay between the digital control (IN) signal and analog output (COM or NO) signal when the switch is turning ON. |
| t_{OFF} | Turn-off time for the switch. This parameter is measured under the specified range of conditions and by the propagation delay between the digital control (IN) signal and analog output (COM or NO) signal when the switch is turning OFF. |
| t_{MBS} | Make-before-break time. This parameter is measured under the specified range of conditions and by the propagation delay between the output of two adjacent analog channels (NC and NO) when the control signal changes state. |
| Q_C | Charge injection is a measurement of unwanted signal coupling from the control (IN) input to the analog (NO or COM) output. This is measured in coulomb (C) and measured by the total charge induced due to switching of the control input. Charge injection, $Q_C = C_L \times \Delta V_{COM}$. C_L is the load capacitance and ΔV_{COM} is the change in analog output voltage. |
| $C_{NC(OFF)}$ | Capacitance at the NC port when the corresponding channel (NC to COM) is OFF |
| $C_{NO(OFF)}$ | Capacitance at the NO port when the corresponding channel (NO to COM) is OFF |
| $C_{NC(ON)}$ | Capacitance at the NC port when the corresponding channel (NC to COM) is ON |
| $C_{NO(ON)}$ | Capacitance at the NO port when the corresponding channel (NO to COM) is ON |
| $C_{COM(ON)}$ | Capacitance at the COM port when the corresponding channel (COM to NO) is ON |
| C_I | Capacitance of IN |
| O_{ISO} | OFF isolation of the switch is a measurement of OFF-state switch impedance. This is measured in dB in a specific frequency, with the corresponding channel (NO to COM) in the OFF state. |

Table 2. Parameter Description (continued)

| SYMBOL | DESCRIPTION |
|------------|--|
| X_{TALK} | Crosstalk is a measurement of unwanted signal coupling from an ON channel to an adjacent ON channel (NC1 to NC2). This is measured in a specific frequency and in dB. |
| BW | Bandwidth of the switch. This is the frequency in which the gain of an ON channel is -3 dB below the DC gain. |
| THD | Total harmonic distortion is defined as the ratio of the root mean square (RMS) value of the second, third, and higher harmonics to the magnitude of fundamental harmonic. |
| I_+ | Static power-supply current with the control (IN) pin at V_+ or GND |

12.2 Documentation Support

12.2.1 Related Documentation

For related documentation, see the following:

- *Implications of Slow or Floating CMOS Inputs*, [SCBA004](#)

12.3 Community Resources

The following links connect to TI community resources. Linked contents are provided "AS IS" by the respective contributors. They do not constitute TI specifications and do not necessarily reflect TI's views; see TI's [Terms of Use](#).

TI E2E™ Online Community *TI's Engineer-to-Engineer (E2E) Community*. Created to foster collaboration among engineers. At e2e.ti.com, you can ask questions, share knowledge, explore ideas and help solve problems with fellow engineers.

Design Support *TI's Design Support* Quickly find helpful E2E forums along with design support tools and contact information for technical support.

12.4 Trademarks

E2E is a trademark of Texas Instruments.

All other trademarks are the property of their respective owners.

12.5 Electrostatic Discharge Caution



These devices have limited built-in ESD protection. The leads should be shorted together or the device placed in conductive foam during storage or handling to prevent electrostatic damage to the MOS gates.

12.6 Glossary

[SLYZ022](#) — *TI Glossary*.

This glossary lists and explains terms, acronyms, and definitions.

13 Mechanical, Packaging, and Orderable Information

The following pages include mechanical, packaging, and orderable information. This information is the most current data available for the designated devices. This data is subject to change without notice and revision of this document. For browser-based versions of this data sheet, refer to the left-hand navigation.

PACKAGING INFORMATION

| Orderable Device | Status (1) | Package Type | Package Drawing | Pins | Package Qty | Eco Plan (2) | Lead/Ball Finish (6) | MSL Peak Temp (3) | Op Temp (°C) | Device Marking (4/5) | Samples |
|------------------|---------------|--------------|-----------------|------|-------------|-------------------------|-------------------------|----------------------|--------------|-------------------------|-------------------------|
| TS5A3160DBVR | ACTIVE | SOT-23 | DBV | 6 | 3000 | Green (RoHS & no Sb/Br) | CU NIPDAU | Level-1-260C-UNLIM | -40 to 85 | JAKR JAKH | Samples |
| TS5A3160DBVT | ACTIVE | SOT-23 | DBV | 6 | 250 | Green (RoHS & no Sb/Br) | CU NIPDAU | Level-1-260C-UNLIM | -40 to 85 | JAKR JAKH | Samples |
| TS5A3160DCKJ | ACTIVE | SC70 | DCK | 6 | 10000 | Green (RoHS & no Sb/Br) | CU NIPDAU | Level-1-260C-UNLIM | -40 to 85 | (JKK, JKR) JKH | Samples |
| TS5A3160DCKR | ACTIVE | SC70 | DCK | 6 | 3000 | Green (RoHS & no Sb/Br) | CU NIPDAU | Level-1-260C-UNLIM | -40 to 85 | (JKK, JKR) JKH | Samples |
| TS5A3160DCKRG4 | ACTIVE | SC70 | DCK | 6 | 3000 | Green (RoHS & no Sb/Br) | CU NIPDAU | Level-1-260C-UNLIM | -40 to 85 | (JKK, JKR) JKH | Samples |
| TS5A3160DCKT | ACTIVE | SC70 | DCK | 6 | 250 | Green (RoHS & no Sb/Br) | CU NIPDAU | Level-1-260C-UNLIM | -40 to 85 | (JKK, JKR) JKH | Samples |
| TS5A3160DCKTG4 | ACTIVE | SC70 | DCK | 6 | 250 | Green (RoHS & no Sb/Br) | CU NIPDAU | Level-1-260C-UNLIM | -40 to 85 | (JKK, JKR) JKH | Samples |

(1) The marketing status values are defined as follows:

ACTIVE: Product device recommended for new designs.

LIFEBUY: TI has announced that the device will be discontinued, and a lifetime-buy period is in effect.

NRND: Not recommended for new designs. Device is in production to support existing customers, but TI does not recommend using this part in a new design.

PREVIEW: Device has been announced but is not in production. Samples may or may not be available.

OBSELETE: TI has discontinued the production of the device.

(2) **RoHS:** TI defines "RoHS" to mean semiconductor products that are compliant with the current EU RoHS requirements for all 10 RoHS substances, including the requirement that RoHS substance do not exceed 0.1% by weight in homogeneous materials. Where designed to be soldered at high temperatures, "RoHS" products are suitable for use in specified lead-free processes. TI may reference these types of products as "Pb-Free".

RoHS Exempt: TI defines "RoHS Exempt" to mean products that contain lead but are compliant with EU RoHS pursuant to a specific EU RoHS exemption.

Green: TI defines "Green" to mean the content of Chlorine (Cl) and Bromine (Br) based flame retardants meet JS709B low halogen requirements of <=100ppm threshold. Antimony trioxide based flame retardants must also meet the <=1000ppm threshold requirement.

(3) MSL, Peak Temp. - The Moisture Sensitivity Level rating according to the JEDEC industry standard classifications, and peak solder temperature.

(4) There may be additional marking, which relates to the logo, the lot trace code information, or the environmental category on the device.

(5) Multiple Device Markings will be inside parentheses. Only one Device Marking contained in parentheses and separated by a "-" will appear on a device. If a line is indented then it is a continuation of the previous line and the two combined represent the entire Device Marking for that device.

⁽⁶⁾ Lead/Ball Finish - Orderable Devices may have multiple material finish options. Finish options are separated by a vertical ruled line. Lead/Ball Finish values may wrap to two lines if the finish value exceeds the maximum column width.

Important Information and Disclaimer: The information provided on this page represents TI's knowledge and belief as of the date that it is provided. TI bases its knowledge and belief on information provided by third parties, and makes no representation or warranty as to the accuracy of such information. Efforts are underway to better integrate information from third parties. TI has taken and continues to take reasonable steps to provide representative and accurate information but may not have conducted destructive testing or chemical analysis on incoming materials and chemicals. TI and TI suppliers consider certain information to be proprietary, and thus CAS numbers and other limited information may not be available for release.

In no event shall TI's liability arising out of such information exceed the total purchase price of the TI part(s) at issue in this document sold by TI to Customer on an annual basis.

TAPE AND REEL INFORMATION



QUADRANT ASSIGNMENTS FOR PIN 1 ORIENTATION IN TAPE



*All dimensions are nominal

| Device | Package Type | Package Drawing | Pins | SPQ | Reel Diameter (mm) | Reel Width W1 (mm) | A0 (mm) | B0 (mm) | K0 (mm) | P1 (mm) | W (mm) | Pin1 Quadrant |
|--------------|--------------|-----------------|------|-------|--------------------|--------------------|---------|---------|---------|---------|--------|---------------|
| TS5A3160DBVR | SOT-23 | DBV | 6 | 3000 | 180.0 | 8.4 | 3.23 | 3.17 | 1.37 | 4.0 | 8.0 | Q3 |
| TS5A3160DBVT | SOT-23 | DBV | 6 | 250 | 180.0 | 8.4 | 3.23 | 3.17 | 1.37 | 4.0 | 8.0 | Q3 |
| TS5A3160DCKJ | SC70 | DCK | 6 | 10000 | 330.0 | 8.4 | 2.3 | 2.55 | 1.2 | 4.0 | 8.0 | Q3 |
| TS5A3160DCKJ | SC70 | DCK | 6 | 10000 | 330.0 | 8.4 | 2.41 | 2.41 | 1.2 | 4.0 | 8.0 | Q3 |
| TS5A3160DCKR | SC70 | DCK | 6 | 3000 | 180.0 | 9.2 | 2.3 | 2.55 | 1.2 | 4.0 | 8.0 | Q3 |
| TS5A3160DCKR | SC70 | DCK | 6 | 3000 | 180.0 | 8.4 | 2.41 | 2.41 | 1.2 | 4.0 | 8.0 | Q3 |
| TS5A3160DCKT | SC70 | DCK | 6 | 250 | 180.0 | 8.4 | 2.41 | 2.41 | 1.2 | 4.0 | 8.0 | Q3 |
| TS5A3160DCKT | SC70 | DCK | 6 | 250 | 180.0 | 9.2 | 2.3 | 2.55 | 1.2 | 4.0 | 8.0 | Q3 |

TAPE AND REEL BOX DIMENSIONS


*All dimensions are nominal

| Device | Package Type | Package Drawing | Pins | SPQ | Length (mm) | Width (mm) | Height (mm) |
|--------------|--------------|-----------------|------|-------|-------------|------------|-------------|
| TS5A3160DBVR | SOT-23 | DBV | 6 | 3000 | 202.0 | 201.0 | 28.0 |
| TS5A3160DBVT | SOT-23 | DBV | 6 | 250 | 202.0 | 201.0 | 28.0 |
| TS5A3160DCKJ | SC70 | DCK | 6 | 10000 | 182.0 | 182.0 | 20.0 |
| TS5A3160DCKJ | SC70 | DCK | 6 | 10000 | 358.0 | 335.0 | 35.0 |
| TS5A3160DCKR | SC70 | DCK | 6 | 3000 | 205.0 | 200.0 | 33.0 |
| TS5A3160DCKR | SC70 | DCK | 6 | 3000 | 202.0 | 201.0 | 28.0 |
| TS5A3160DCKT | SC70 | DCK | 6 | 250 | 202.0 | 201.0 | 28.0 |
| TS5A3160DCKT | SC70 | DCK | 6 | 250 | 205.0 | 200.0 | 33.0 |

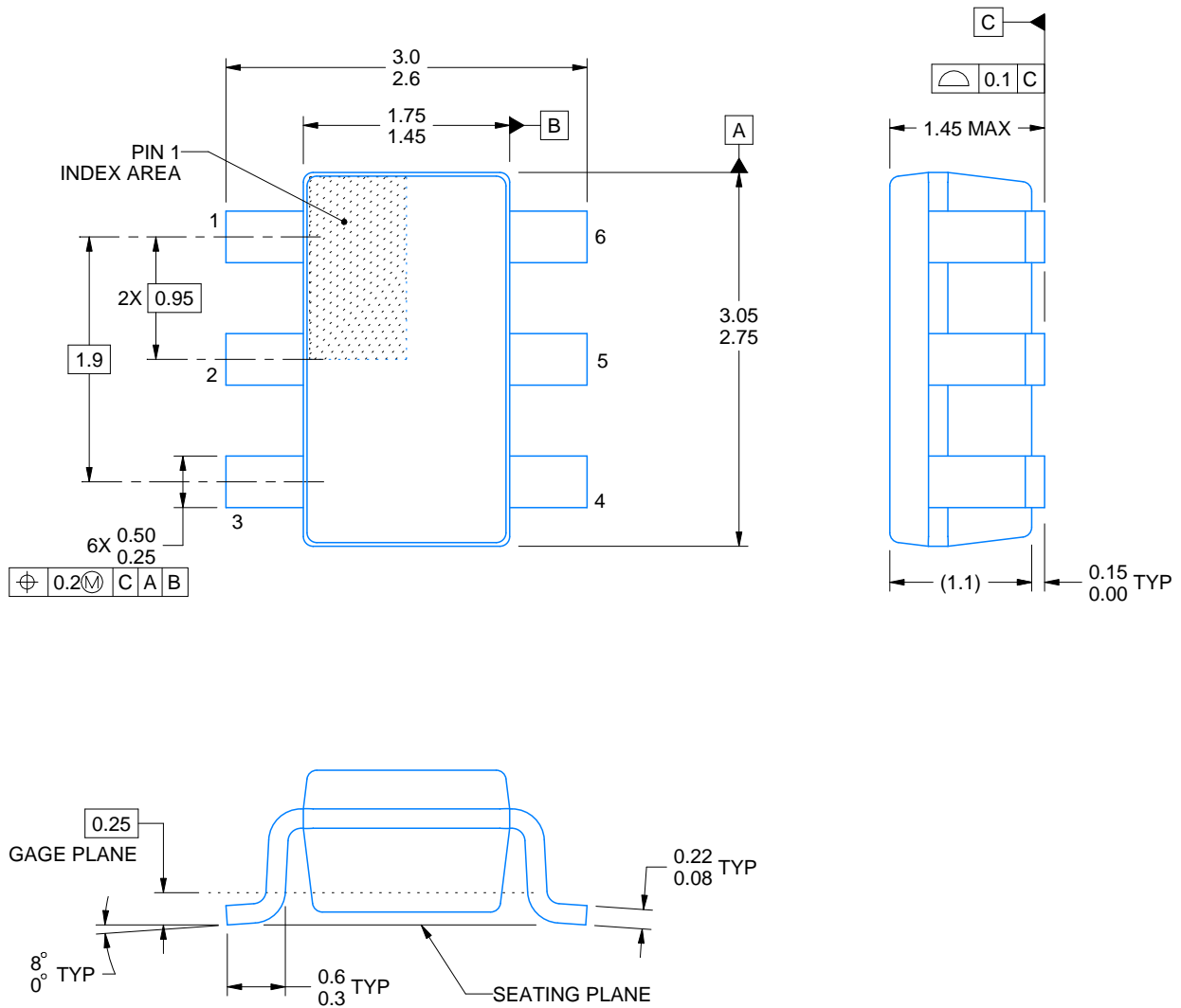
DBV0006A



PACKAGE OUTLINE

SOT-23 - 1.45 mm max height

SMALL OUTLINE TRANSISTOR



4214840/B 03/2018

NOTES:

1. All linear dimensions are in millimeters. Any dimensions in parenthesis are for reference only. Dimensioning and tolerancing per ASME Y14.5M.
2. This drawing is subject to change without notice.
3. Body dimensions do not include mold flash or protrusion. Mold flash and protrusion shall not exceed 0.15 per side.
4. Leads 1,2,3 may be wider than leads 4,5,6 for package orientation.
5. Reference JEDEC MO-178.

EXAMPLE BOARD LAYOUT

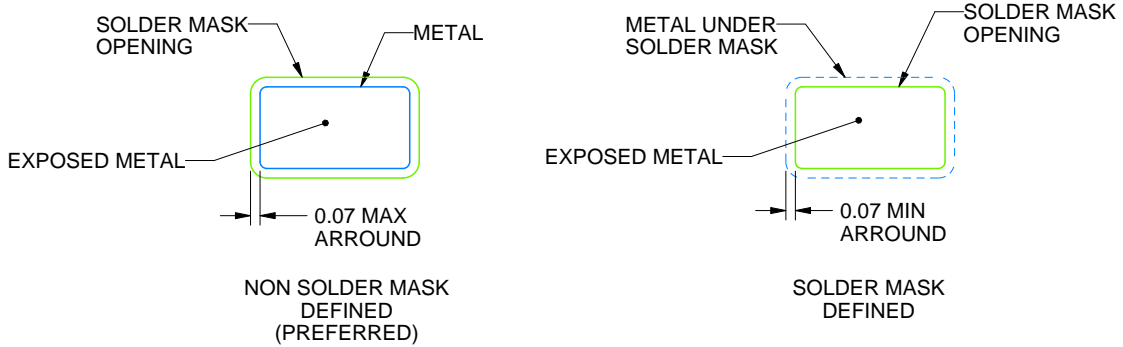
DBV0006A

SOT-23 - 1.45 mm max height

SMALL OUTLINE TRANSISTOR



LAND PATTERN EXAMPLE
EXPOSED METAL SHOWN
SCALE:15X



SOLDER MASK DETAILS

4214840/B 03/2018

NOTES: (continued)

- 6. Publication IPC-7351 may have alternate designs.
- 7. Solder mask tolerances between and around signal pads can vary based on board fabrication site.

EXAMPLE STENCIL DESIGN

DBV0006A

SOT-23 - 1.45 mm max height

SMALL OUTLINE TRANSISTOR



SOLDER PASTE EXAMPLE
BASED ON 0.125 mm THICK STENCIL
SCALE:15X

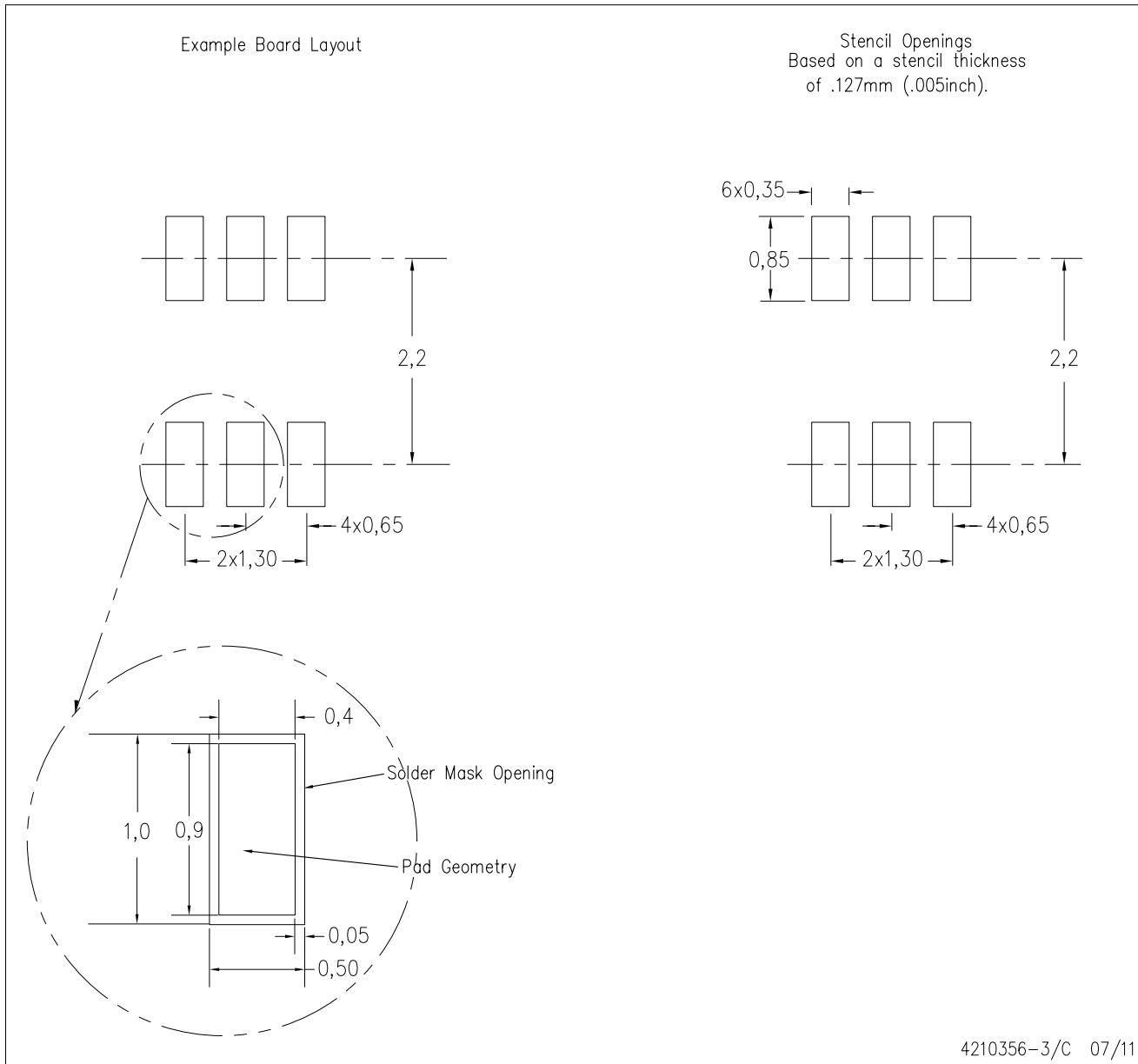
4214840/B 03/2018

NOTES: (continued)

8. Laser cutting apertures with trapezoidal walls and rounded corners may offer better paste release. IPC-7525 may have alternate design recommendations.
9. Board assembly site may have different recommendations for stencil design.

DCK (R-PDSO-G6)

PLASTIC SMALL OUTLINE



- NOTES:
- A. All linear dimensions are in millimeters.
 - B. This drawing is subject to change without notice.
 - C. Customers should place a note on the circuit board fabrication drawing not to alter the center solder mask defined pad.
 - D. Publication IPC-7351 is recommended for alternate designs.
 - E. Laser cutting apertures with trapezoidal walls and also rounding corners will offer better paste release. Customers should contact their board assembly site for stencil design recommendations. Example stencil design based on a 50% volumetric metal load solder paste. Refer to IPC-7525 for other stencil recommendations.

IMPORTANT NOTICE AND DISCLAIMER

TI PROVIDES TECHNICAL AND RELIABILITY DATA (INCLUDING DATASHEETS), DESIGN RESOURCES (INCLUDING REFERENCE DESIGNS), APPLICATION OR OTHER DESIGN ADVICE, WEB TOOLS, SAFETY INFORMATION, AND OTHER RESOURCES "AS IS" AND WITH ALL FAULTS, AND DISCLAIMS ALL WARRANTIES, EXPRESS AND IMPLIED, INCLUDING WITHOUT LIMITATION ANY IMPLIED WARRANTIES OF MERCHANTABILITY, FITNESS FOR A PARTICULAR PURPOSE OR NON-INFRINGEMENT OF THIRD PARTY INTELLECTUAL PROPERTY RIGHTS.

These resources are intended for skilled developers designing with TI products. You are solely responsible for (1) selecting the appropriate TI products for your application, (2) designing, validating and testing your application, and (3) ensuring your application meets applicable standards, and any other safety, security, or other requirements. These resources are subject to change without notice. TI grants you permission to use these resources only for development of an application that uses the TI products described in the resource. Other reproduction and display of these resources is prohibited. No license is granted to any other TI intellectual property right or to any third party intellectual property right. TI disclaims responsibility for, and you will fully indemnify TI and its representatives against, any claims, damages, costs, losses, and liabilities arising out of your use of these resources.

TI's products are provided subject to TI's Terms of Sale (www.ti.com/legal/termsofsale.html) or other applicable terms available either on ti.com or provided in conjunction with such TI products. TI's provision of these resources does not expand or otherwise alter TI's applicable warranties or warranty disclaimers for TI products.

Mailing Address: Texas Instruments, Post Office Box 655303, Dallas, Texas 75265
Copyright © 2019, Texas Instruments Incorporated

Looking for pricing, stock, or lifecycle information?

Click below to explore more details on WIN SOURCE:

 [View TS5A3160DCKJ on WIN SOURCE](#)

 [Texas Instruments](#) Information

Optimize Your Supply Chain with WIN SOURCE Solutions

-  Global Sourcing Solution
-  Obsolete Management
-  Cost Control Management
-  Shortage Management
-  Alternative Solution
-  Excess Inventory Management