

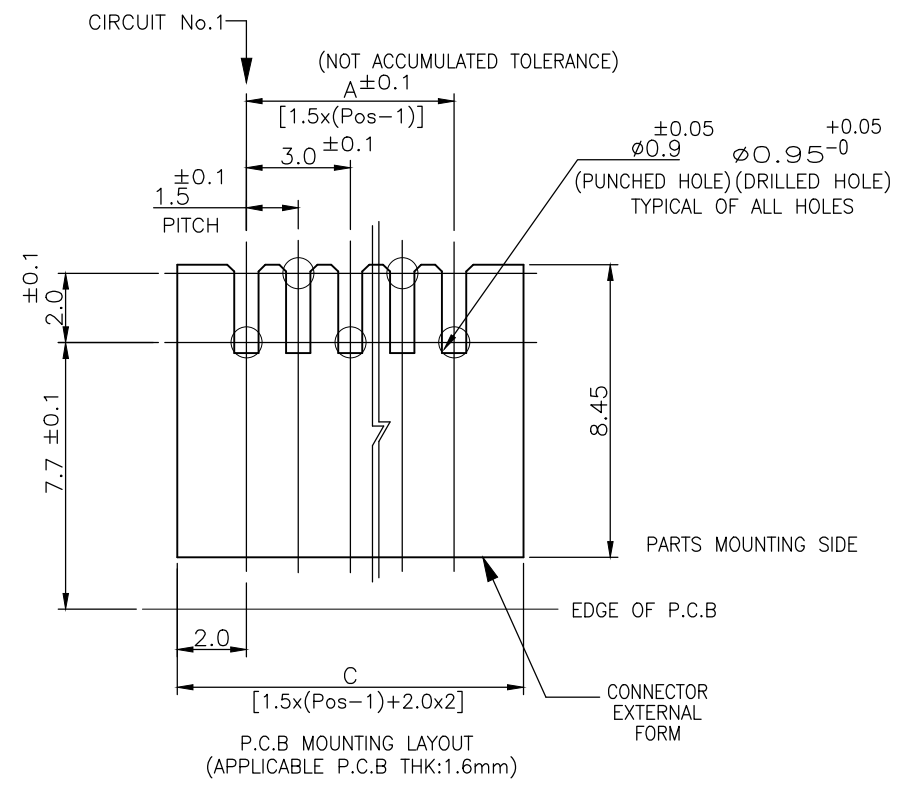
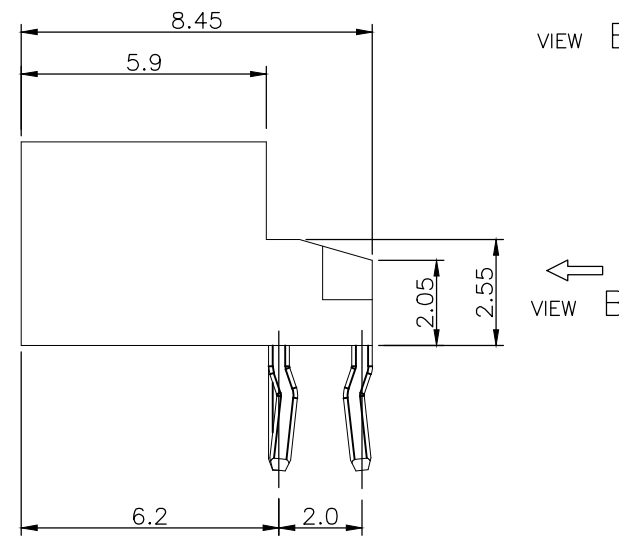
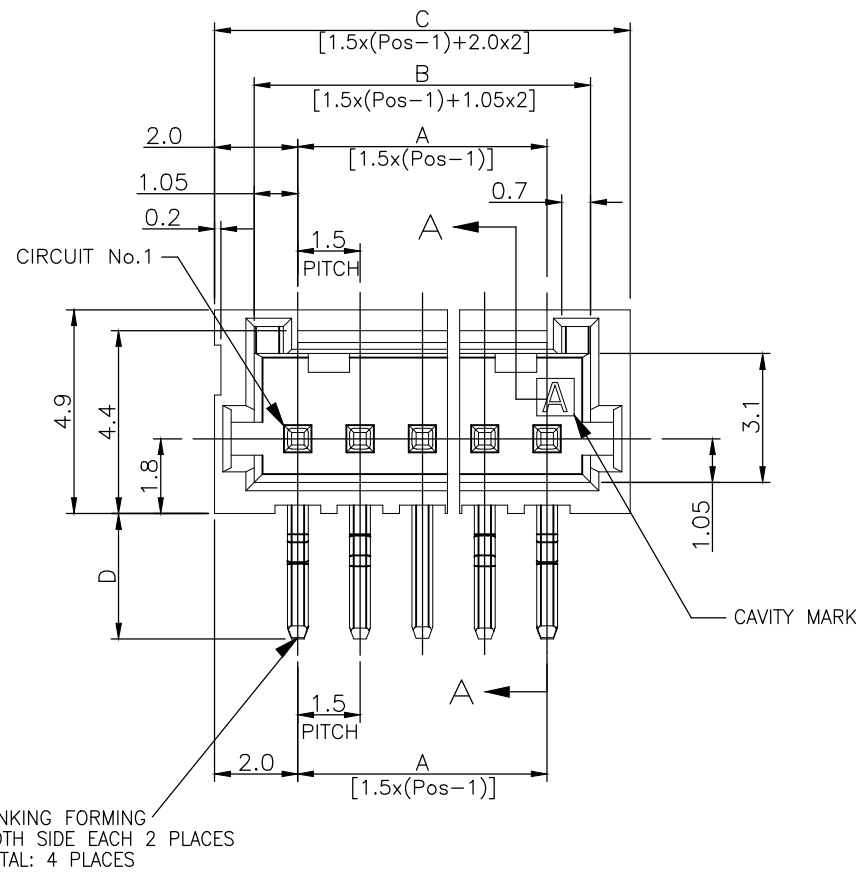
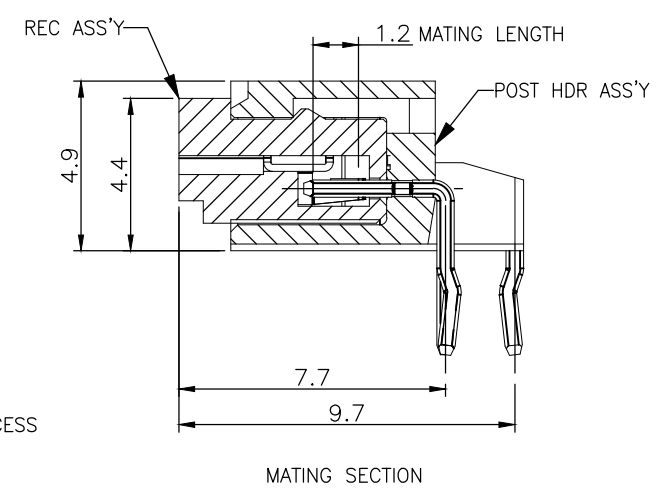
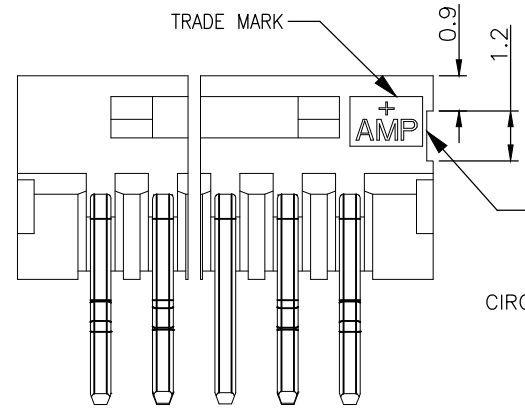
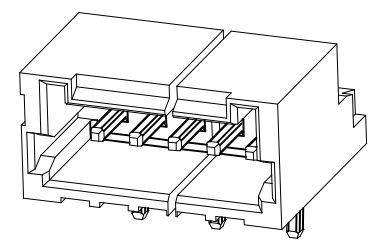
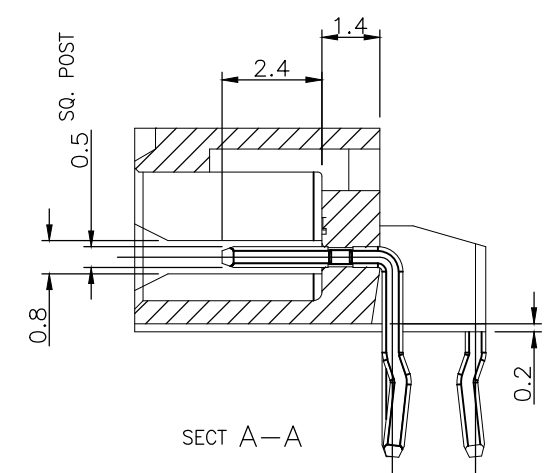
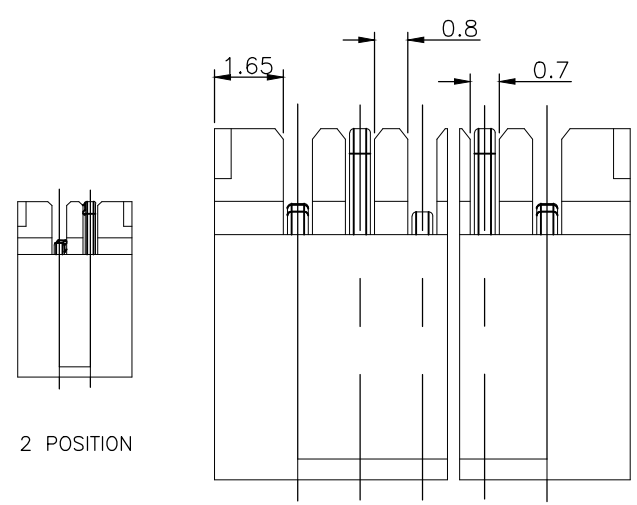


THE DATASHEET OF
292206-8



THIS DRAWING IS UNPUBLISHED. RELEASED FOR PUBLICATION
 © COPYRIGHT - TE Connectivity Ltd. ALL RIGHTS RESERVED.

REVISIONS					
P	LTR	DESCRIPTION	DATE	DWN	APVD
B		ECR-18-017107	07NOV2018	T.Q	W.H



KINKING FORMING BOTH SIDE EACH 2 PLACES TOTAL: 4 PLACES

NOTES:
 1. MATERIAL:
 HOUSING: NYLON(G.F.) UL94V-0, COLOR: GRAY, BLUE, BLACK
 POST: PRE-TIN 0.5mm SQ. BRASS WIRE

TOLERANCES UNLESS OTHERWISE SPECIFIED:

10 > *	: ±0.2
30 > * > 10	: ±0.25
100 > * > 30	: ±0.3
ANGLE	: ±3°

THIS DRAWING IS A CONTROLLED DOCUMENT.		DWN Tommy Qian 07NOV2018		TE Connectivity													
DIMENSIONS: mm		CHK Wenke He 07NOV2018															
TOLERANCES UNLESS OTHERWISE SPECIFIED:		APVD Wenke He 07NOV2018		NAME													
<table border="1"> <tr><td>0 PLC</td><td>± -</td></tr> <tr><td>1 PLC</td><td>± -</td></tr> <tr><td>2 PLC</td><td>± -</td></tr> <tr><td>3 PLC</td><td>± -</td></tr> <tr><td>4 PLC</td><td>± -</td></tr> <tr><td>ANGLES</td><td>± -</td></tr> </table>		0 PLC	± -	1 PLC	± -	2 PLC	± -	3 PLC	± -	4 PLC	± -	ANGLES	± -	PRODUCT SPEC		AMP Mini CT Connector 1.5mm Pitch	
0 PLC	± -																
1 PLC	± -																
2 PLC	± -																
3 PLC	± -																
4 PLC	± -																
ANGLES	± -																
MATERIAL SEE NOTE 1		FINISH SEE NOTE 1		Single Row HDR Ass'y (H) DIP Staggered Type with Kink													
		APPLICATION SPEC		RESTRICTED TO													
		WEIGHT SEE TABLE		SIZE CAGE CODE DRAWING NO													
		CUSTOMER DRAWING		A3 00779 C-292206													
		SCALE NON		SHEET 1 of 2													
				REV B													

THIS DRAWING IS UNPUBLISHED.

RELEASED FOR PUBLICATION


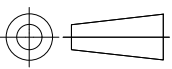
REVISIONS

© COPYRIGHT - TE Connectivity Ltd.

ALL RIGHTS RESERVED.


P	LTR	DESCRIPTION	DATE	DWN	APVD
-	-	SEE SHEET 1	-	-	-

0.28	2.5	8.5	6.6	4.5	4			9-292206-4
0.23	2.5	7.0	5.1	3.0	3			9-292206-3
1.11	3.0	32.5	30.6	28.5	20	7-292206-0	4-292206-0	2-292206-0
1.06	3.0	31.0	29.1	27.0	19	6-292206-9	3-292206-9	1-292206-9
1.01	3.0	29.5	27.6	25.5	18	6-292206-8	3-292206-8	1-292206-8
0.96	3.0	28.0	26.1	24.0	17	6-292206-7	3-292206-7	1-292206-7
0.91	3.0	26.5	24.6	22.5	16	6-292206-6	3-292206-6	1-292206-6
0.86	3.0	25.0	23.1	21.0	15	6-292206-5	3-292206-5	1-292206-5
0.81	3.0	23.5	21.6	19.5	14	6-292206-4	3-292206-4	1-292206-4
0.75	3.0	22.0	20.1	18.0	13	6-292206-3	3-292206-3	1-292206-3
0.70	3.0	20.5	18.6	16.5	12	6-292206-2	3-292206-2	1-292206-2
0.65	3.0	19.0	17.1	15.0	11	6-292206-1	3-292206-1	1-292206-1
0.60	3.0	17.5	15.6	13.5	10	6-292206-0	3-292206-0	1-292206-0
0.54	3.0	16.0	14.1	12.0	9	5-292206-9	2-292206-9	292206-9
0.49	3.0	14.5	12.6	10.5	8	5-292206-8	2-292206-8	292206-8
0.44	3.0	13.0	11.1	9.0	7	5-292206-7	2-292206-7	292206-7
0.40	3.0	11.5	9.6	7.5	6	5-292206-6	2-292206-6	292206-6
0.34	3.0	10.0	8.1	6.0	5	5-292206-5	2-292206-5	292206-5
0.29	3.0	8.5	6.6	4.5	4	5-292206-4	2-292206-4	292206-4
0.24	3.0	7.0	5.1	3.0	3	5-292206-3	2-292206-3	292206-3
0.19	3.0	5.5	3.6	1.5	2	5-292206-2	2-292206-2	292206-2
WEIGHT (g)	D	C	B	A	Pos.	BLUE	BLACK	GRAY
	DIMENSIONS					PART NO		

THIS DRAWING IS A CONTROLLED DOCUMENT.		DWN Tommy Qian 07NOV2018	 TE Connectivity		
DIMENSIONS: mm		CHK Wenke He 07NOV2018			
		APVD Wenke He 07NOV2018	NAME AMP Mini CT Connector 1.5mm Pitch Single Row HDR Ass'y (H) DIP Staggered Type with Kink		
TOLERANCES UNLESS OTHERWISE SPECIFIED:		PRODUCT SPEC 108-60018	RESTRICTED TO		
MATERIAL SEE NOTE 1		APPLICATION SPEC 114-5223	SIZE A3	CAGE CODE 00779	DRAWING NO C-292206
FINISH SEE NOTE 1		WEIGHT 0.000000	SCALE NON	SHEET 2 OF 2	REV B
		CUSTOMER DRAWING			

Looking for pricing, stock, or lifecycle information?

Click below to explore more details on WIN SOURCE:

 [View 292206-8](#) on WIN SOURCE

 [TE Connectivity](#) Information

Optimize Your Supply Chain with WIN SOURCE Solutions

-  Global Sourcing Solution
-  Obsolete Management
-  Cost Control Management
-  Shortage Management
-  Alternative Solution
-  Excess Inventory Management