

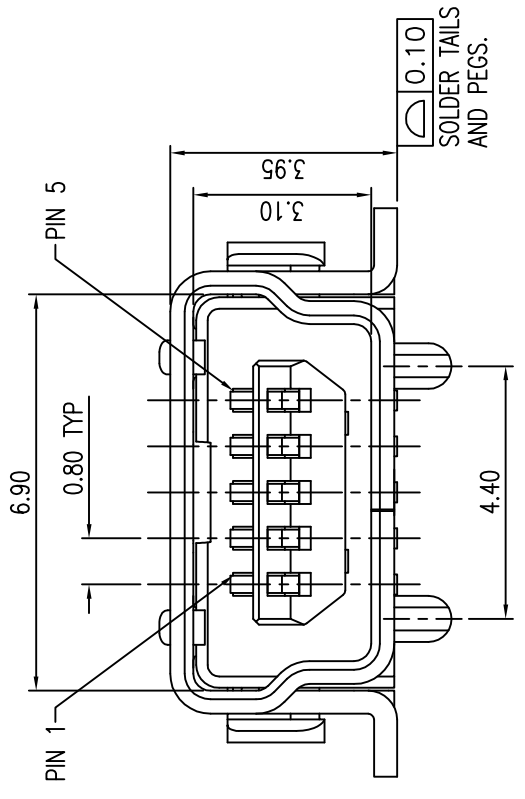
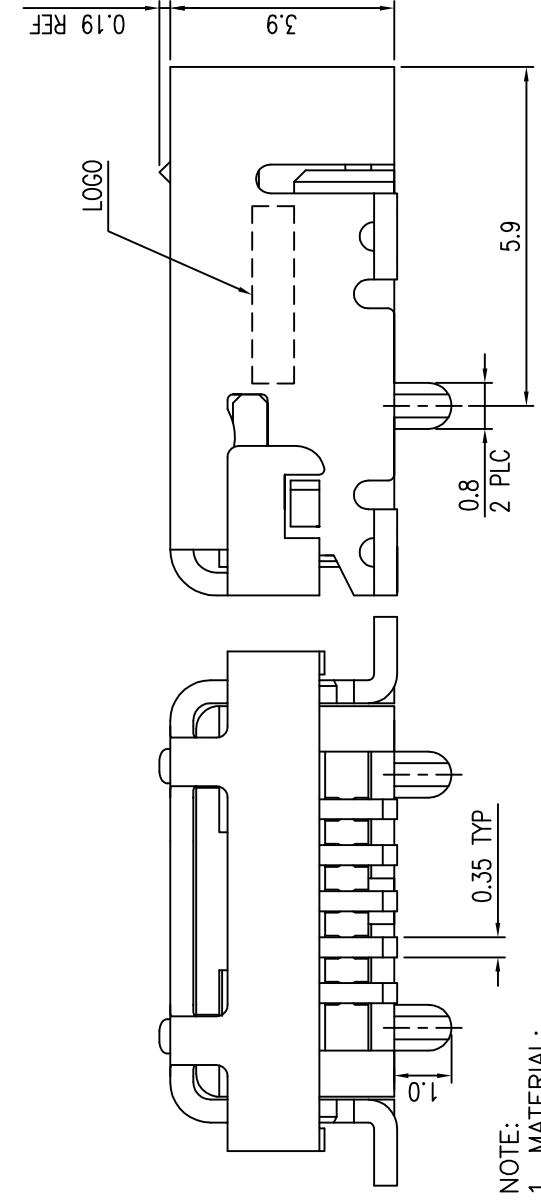
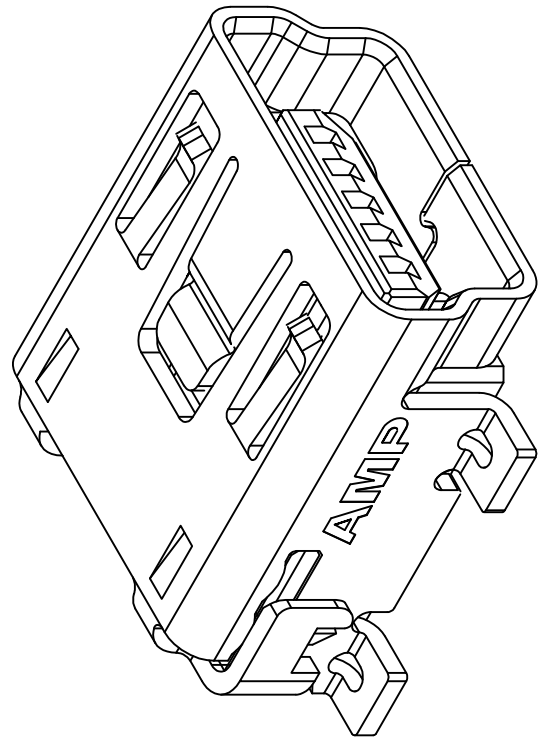
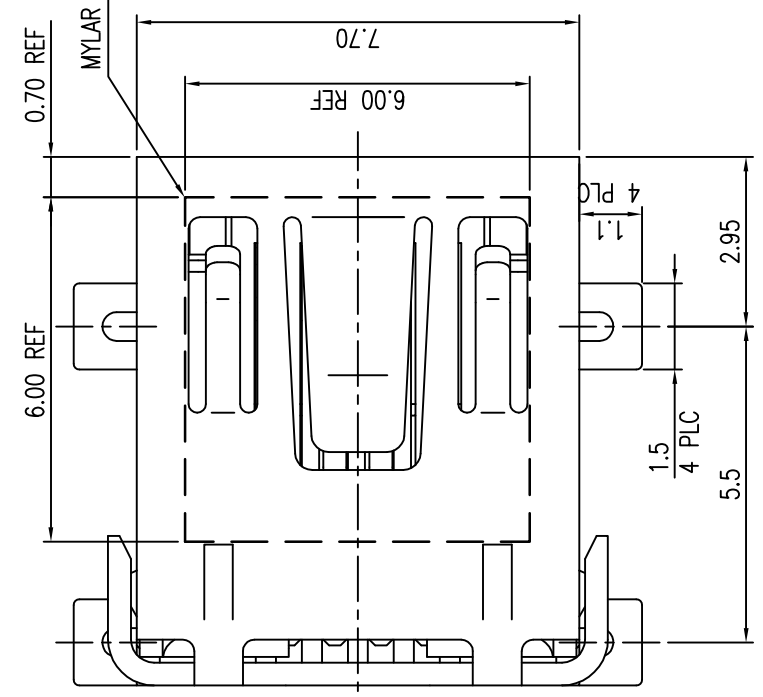


THE DATASHEET OF
1-1734035-2



THIS DRAWING IS UNPUBLISHED. BY TYCO ELECTRONICS CORPORATION. ALL RIGHTS RESERVED.

LOC	DW	DIST	—
P	LTR		
F		REVISE	



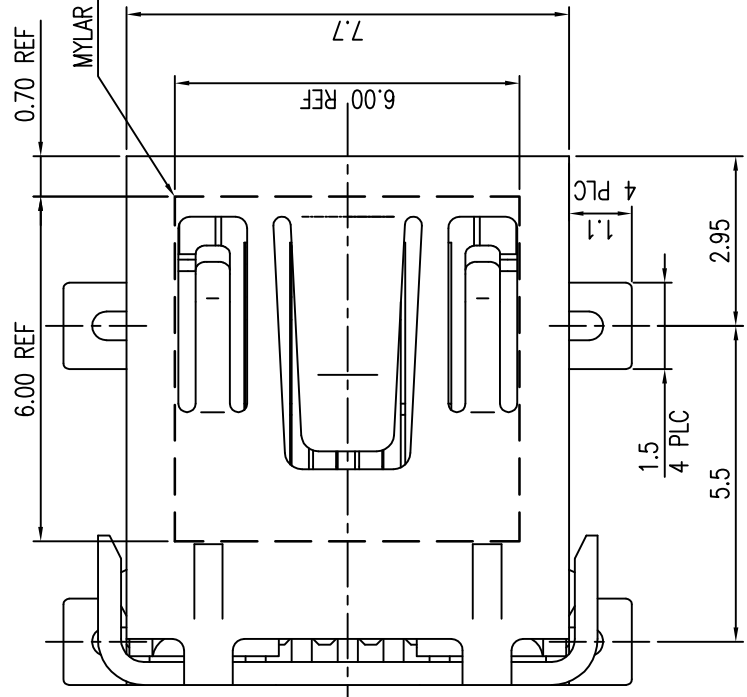
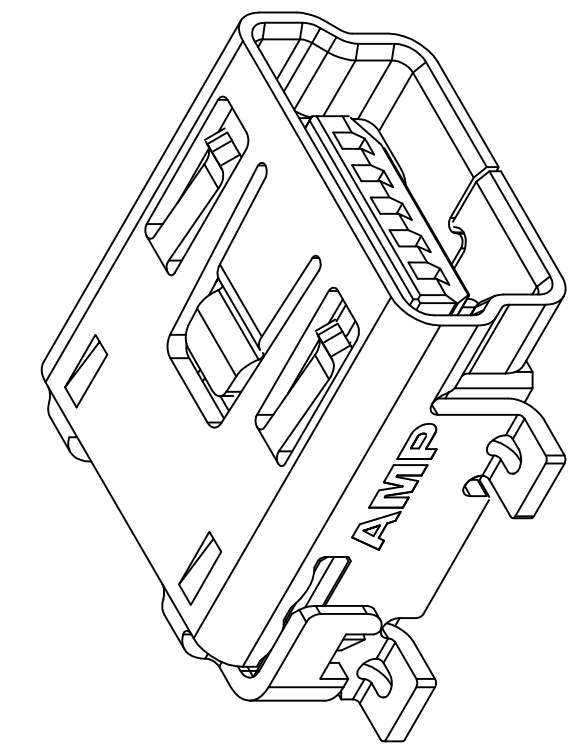
NOTE:
 1. MATERIAL: HOUSING: PA9T WITH 33% GF, UL 94V-0, COLOR: SEE TABLE. CONTACTS: PHOSPHOR BRONZE. SHELL: SUS304, THICKNESS=0.40MM. MYLAR: POLYAMIDE FILM.

2. FINISH: CONTACTS: GOLD FLASH OVER
 0.762μm [30μ"] MIN. PALLADIUM-NICKEL PLATED ON CONTACT AREA,
 2.54μm [100μ"] MIN. MATTE-TIN ON SOLDER TAIL,
 2.54μm [100μ"] MIN. MATTE-TIN ON SOLDER TAIL,
 3.05μm [120μ"] MIN. MATTE-TIN ON SOLDER TAIL,
 WITH ENTIRE CONTACT UNDERPLATED 1.27μm [50μ"] MIN. NICKEL.
 SHELL: 1.27μm [50μ"] MIN. NICKEL PLATED OVERALL.
 0.76μm [30μ"] MIN. MATTE-TIN OVER 1.27μm [50μ"] MIN. NICKEL.
 3. NO DATECODE ON PRODUCT SURFACE.
 4. REFLOW SOLDER CAPABLE TO 260°C PER TE TEST SPEC.
 109-201, CONDITION B.

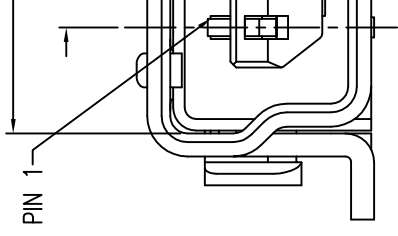
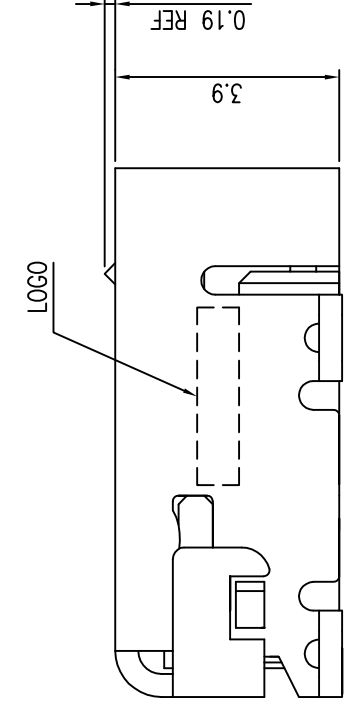
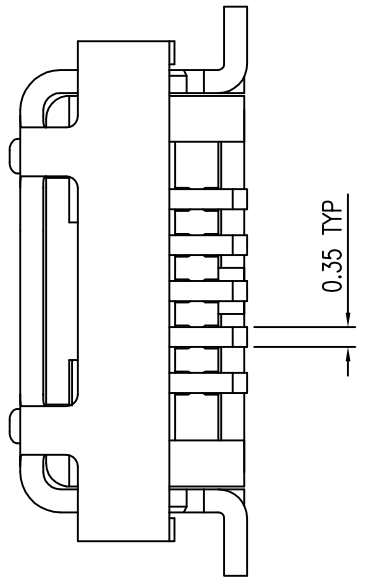
THIS DRAWING IS A CONTROLLED DOCUMENT.	
DIMENSIONS: MM	TOLERANCES UNLESS OTHERWISE SPECIFIED:
	0 PLC ± 0.38
	1 PLC ± 0.25
	2 PLC ± 0.13
	3 PLC ± 0.05
	4 PLC ± -
	ANGLES ± 3'
MATERIAL	FINISH
SEE NOTE	SEE NOTE
DWN O. HU 21DEC2000	
CHK S. HOU 21DEC2000	
APVD W. KODAMA 21DEC2000	
PRODUCT SPEC 108-57062	
QUALIFICATION TEST REPORT 501-57070	
WEIGHT ---	
CUSTOMER DRAWING	

THIS DRAWING IS UNPUBLISHED. RELEASED FOR PUBLICATION
 © COPYRIGHT BY TYCO ELECTRONICS CORPORATION. ALL RIGHTS RESERVED.

LOC	DW	DIST	—
P	LTR		
			SEE S



PCB



NOTE:

- MATERIAL:
HOUSING: PA9T WITH 33% GF, UL 94V-0, BLACK COLOR.
CONTACTS: PHOSPHOR BRONZE.
SHELL: SUS304, THICKNESS=0.40MM.
MYLAR: POLYAMIDE FILM.
- FINISH:
CONTACTS: GOLD FLASH OVER
0.762μm [30μ"] MIN. PALLADIUM-NICKEL PLATED ON CONTACT AREA,
2.54μm [100μ"] MIN. MATTE-TIN ON SOLDER TAIL, WITH
ENTIRE CONTACT UNDERPLATED 1.27μm [50μ"] MIN. NICKEL.
SHELL: 1.27μm [50μ"] MIN. NICKEL PLATED OVERALL.
- NO DATECODE ON PRODUCT SURFACE.
- REFLOW SOLDER CAPABLE TO 260°C PER TE TEST SPEC.
109-201, CONDITION B.

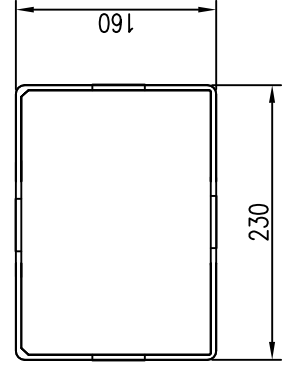
THIS DRAWING IS A CONTROLLED DOCUMENT.

DIMENSIONS: MM	TOLERANCES UNLESS OTHERWISE SPECIFIED:
	0 PLC ± 0.38
	1 PLC ± 0.25
	2 PLC ± 0.13
	3 PLC ± 0.05
4 PLC ± - ± 3'	ANGLES
MATERIAL	FINISH
SEE NOTE	SEE NOTE

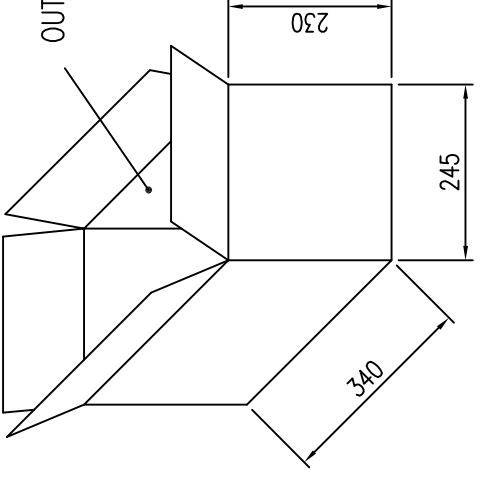
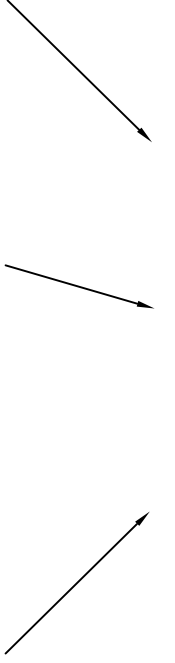
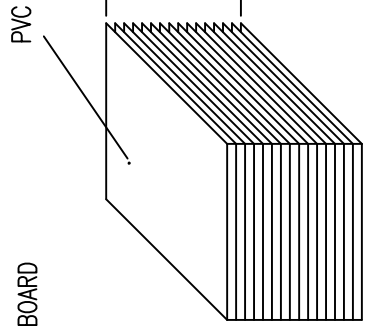
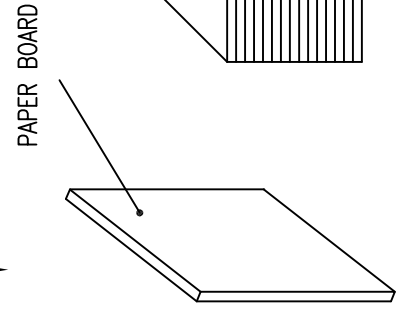
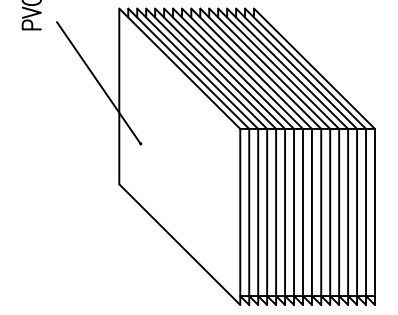
DWN	
CHK	
APVD	
PRODUCT SPEC	
APPLICATION SPEC	
WEIGHT	
CUSTOMER DRAWING	

THIS DRAWING IS UNPUBLISHED. RELEASED FOR PUBLICATION BY TYCO ELECTRONICS CORPORATION. ALL RIGHTS RESERVED.

LOC	DW	DIST	—
P	LTR		SEE S



PVC



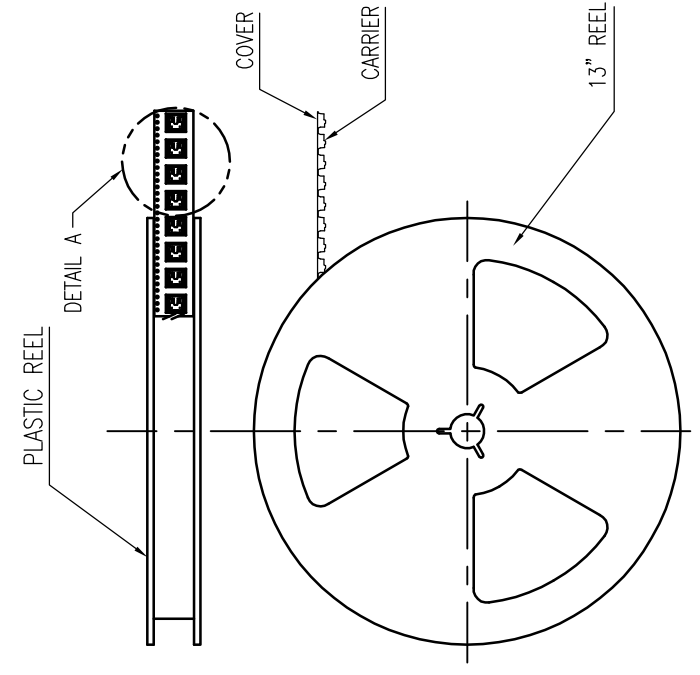
8.25 Kg	5.5
GROSS WEIGHT	NET WEIGHT

THIS DRAWING IS A CONTROLLED DOCUMENT.	
DIMENSIONS: MM	TOLERANCES UNLESS OTHERWISE SPECIFIED:
	0 PLC ± .
	1 PLC ± .
	2 PLC ± .
	3 PLC ± .
4 PLC ± .	
ANGLES ± .	FINISH
MATERIAL	WEIGHT
CUSTOMER DRAWING	

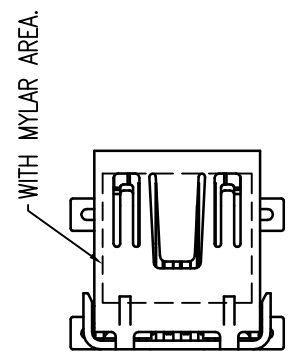
DWN	
CHK	
APVD	
PRODUCT SPEC	
APPLICATION SPEC	
WEIGHT	

THIS DRAWING IS UNPUBLISHED. RELEASED FOR PUBLICATION
 BY TYCO ELECTRONICS CORPORATION. ALL RIGHTS RESERVED.

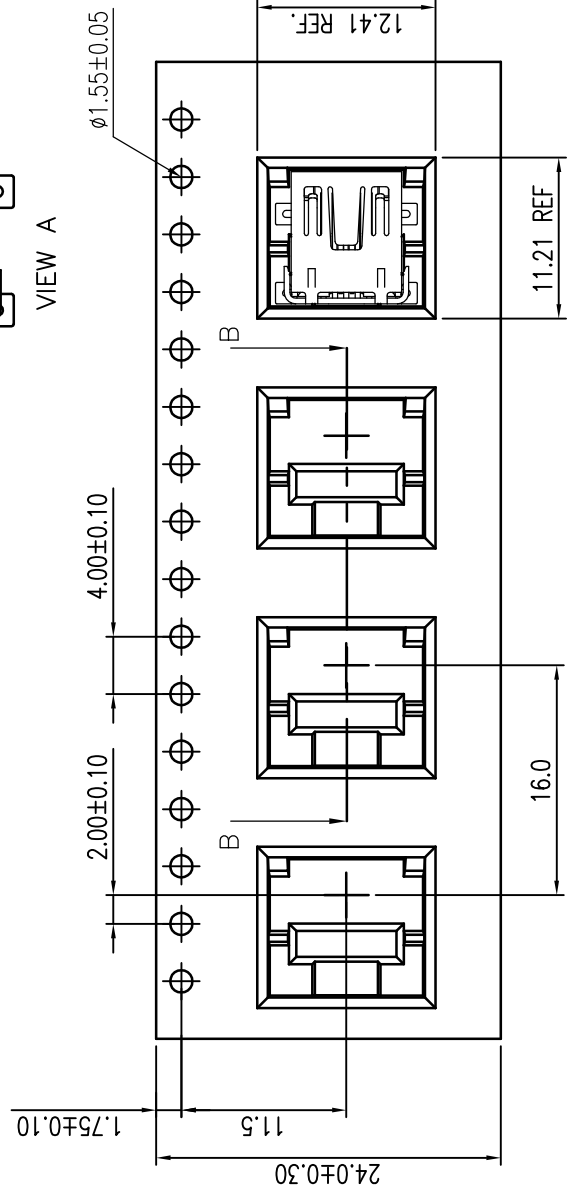
LOC	DW	DIST	—
		P	LTR
			SEE S



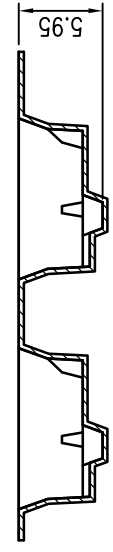
FOR 1734035-3, 1-1734035-
 USER FEED DIRECTION
 160mm MIN
 NO CONNECTORS



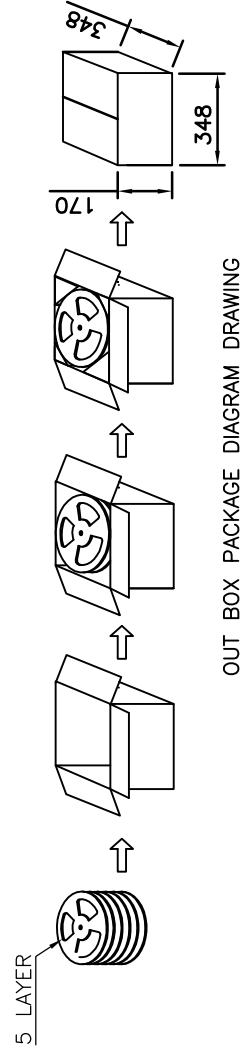
FOR 1734035-2, 1734035-4, 1
 3-1734035-2, 2-1734035-2,
 USER FEED DIRECTION
 160mm MIN
 NO CONNECTORS



DETAIL A



SECTION B-B



OUT BOX PACKAGE DIAGRAM DRAWING

GROSS WEIGHT	4.95 Kg	NET WEIGHT	2.31 Kg	PCS/REEL	700	REEL / CA
--------------	---------	------------	---------	----------	-----	-----------

THIS DRAWING IS A CONTROLLED DOCUMENT.

DIMENSIONS:	MM	TOLERANCES UNLESS OTHERWISE SPECIFIED:
		0 PLC ± -
		1 PLC ± -
		2 PLC ± -
		3 PLC ± -
		4 PLC ± -
		ANGLES ± -
		FINISH ± -
MATERIAL		

DWN	
CHK	
APVD	
PRODUCT SPEC	
APPLICATION SPEC	
WEIGHT	
CUSTOMER DRAWING	

Looking for pricing, stock, or lifecycle information?

Click below to explore more details on WIN SOURCE:

[View 1-1734035-2 on WIN SOURCE](#)

[TE Connectivity Information](#)

Optimize Your Supply Chain with WIN SOURCE Solutions

- ✓ Global Sourcing Solution
- ✓ Obsolete Management
- ✓ Cost Control Management
- ✓ Shortage Management
- ✓ Alternative Solution
- ✓ Excess Inventory Management