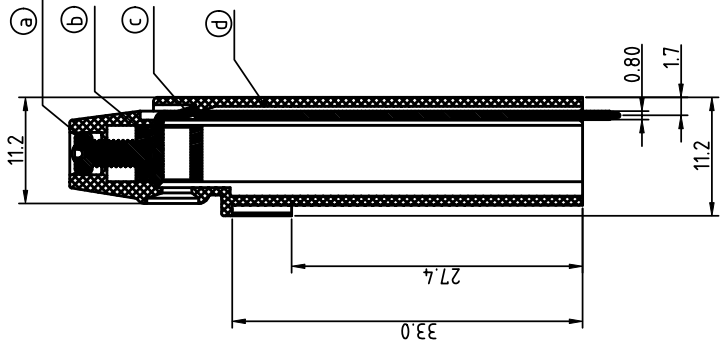
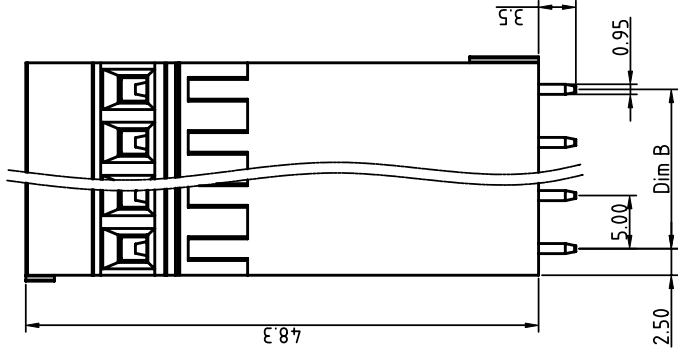
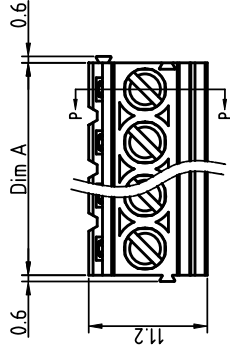




**THE DATASHEET OF
YR100150000G**



PRODUCT NUMBER	PITCH
YRxx01x00J0G	5.00mm



Dimension A&B

DIM A	Nx5.0
DIM B	(N-1)x5.0

N=Number of poles

Poles	DimA&B	Tolerance
2-6p		±0.15
7-12p		±0.25
13-18p		±0.35
19-24p		±0.40

PART NO.: YR XX 0 1 X 0 00J0 G

- Solid block
- No. of poles
- 02 2 poles
- 03 3 poles
-
- 24 24 poles
- Color
- 0 Black (RAL9005)
- 2 Red (RAL3001/D)
- 3 Orange(RAL2011/P)
- 4 Yellow(RAL1018/A)
- 5 Green(RAL6018/T)
- 6 Blue (RAL5015/A)
- 8 Grey(RAL7035/D)
- 9 White(RAL1102)
- C Green(RAL6018/U)


RoHS compliant (lead<4%)
In copper Alloy

SECTION P-P

mat'l. code	itr	ecn no	dr	date	surface	tolerances unless off
					ASME Y14.5	
					angles	
					X±1°	
					dr	EVIN ZHON
					engr	EVIN ZHON
					chr	HANKE FEN
					appd	SHI JUN
sheet index	revision	A				
	sheet	1				

Looking for pricing, stock, or lifecycle information?

Click below to explore more details on WIN SOURCE:

-  [View YR1001500000G on WIN SOURCE](#)
-  [Amphenol Anytek Information](#)

Optimize Your Supply Chain with WIN SOURCE Solutions

-  Global Sourcing Solution
-  Obsolete Management
-  Cost Control Management
-  Shortage Management
-  Alternative Solution
-  Excess Inventory Management