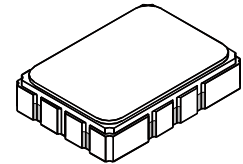


SF2040B-2

80.460 MHz SAW Filter



SMP-03

- Designed for SDARS IF Receiver
- Low Insertion Loss
- 5.0 X 7.0 mm Surface-Mount Case
- Differential or Single Ended Input and Output
- Complies with Directive 2002/95/EC (RoHS)



Absolute Maximum Ratings

Rating	Value	Units
Maximum Incident Power in Passband	+10	dBm
Max. DC voltage between any 2 terminals	30	VDC
Storage Temperature Range (with tape & reel)	-40 to +85	°C
Storage Temperature Range (without tape & reel)	-50 to +125	°C
Max Soldering Profile	265°C for 10 s	

Electrical Characteristics

Characteristic	Sym	Notes	Min	Typ	Max	Units
Nominal Center Frequency	f_c			80.460		MHz
Passband	Insertion Loss	IL		9.5	12.0	dB
			1dB Passband	BW_1	3.7	4.1
	15dB Bandwidth	BW_{15}		6.6	6.7	MHz
	30dB Bandwidth	BW_{30}		7.6	7.7	MHz
	Amplitude Ripple over $f_c \pm 1.85$ MHz			0.5	1.10	dB _{P-P}
	Group Delay Variation over $f_c \pm 1.85$ MHz	GDV		60	150	ns _{P-P}
Rejection	50 to 74.39 MHz		40	44		dB
			74.39 to 75.99 MHz	32	40	
			85.21 to 86.5 MHz	35	44	
			86.5 to 91.50 MHz	37	48	
			91.50 to 100 MHz	45	53	
Operating Temperature Range	T_A	1	-40		+105	°C
Frequency Temperature Coefficient	FTC			-18		ppm/°C
Differential Input			175 ohms			
Differential Output			1000 ohms			
Case Style			SMP-03 7 x 5 mm Nominal Footprint			
Lid Symbolization (YY=year, WW=week, S=shift) See note 4		6	RFM SF2040B-2 YYWWS			

Electrical Connections

Connection	Terminals
Port 1 Hot	10
Port 1 Ground Return	1
Port 2 Hot	5
Port 2 Ground Return	6
Case Ground	All Others



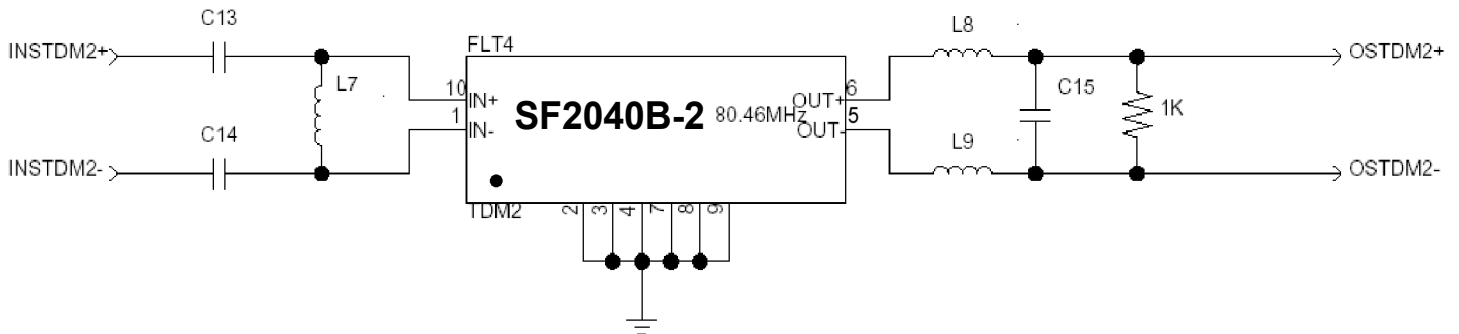
CAUTION: Electrostatic Sensitive Device. Observe precautions for handling.

NOTES:

1. Unless noted otherwise, all specifications apply over the operating temperature range with filter soldered to the specified demonstration board with impedance matching to 50 Ω and measured with 50 Ω network analyzer.
2. Unless noted otherwise, all frequency specifications are referenced to the nominal center frequency, f_c .
3. Rejection is measured as attenuation below the minimum IL point in the passband. Rejection in final user application is dependent on PCB layout and external impedance matching design. See Application Note No. 42 for details.
4. "LRIP" or "L" after the part number indicates "low rate initial production" and "ENG" or "E" indicates "engineering prototypes."
5. The design, manufacturing process, and specifications of this filter are subject to change.
6. Tape and Reel Standard ANSI / EIA 481.
7. Either Port 1 or Port 2 may be used for either input or output in the design. However, impedances and impedance matching may vary between Port 1 and Port 2, so that the filter must always be installed in one direction per the circuit design.
8. US and international patents may apply.
9. Murata, stylized Murata logo, and Murata N.A., Inc. are registered trademarks of Murata Manufacturing Co., Ltd.

Matching Circuit and Matching Component Values Used in G3 Sirius Radios

(Refer to Sirius Radio G3 Chipset Application Note, Doc. #RX000104-B, Sec. 4.2.5)

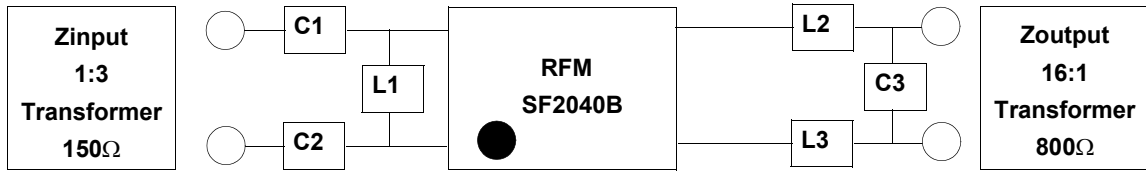


TDM2 Narrowband SAW Matching Circuit

TDM2 Narrowband SAW Matching Values

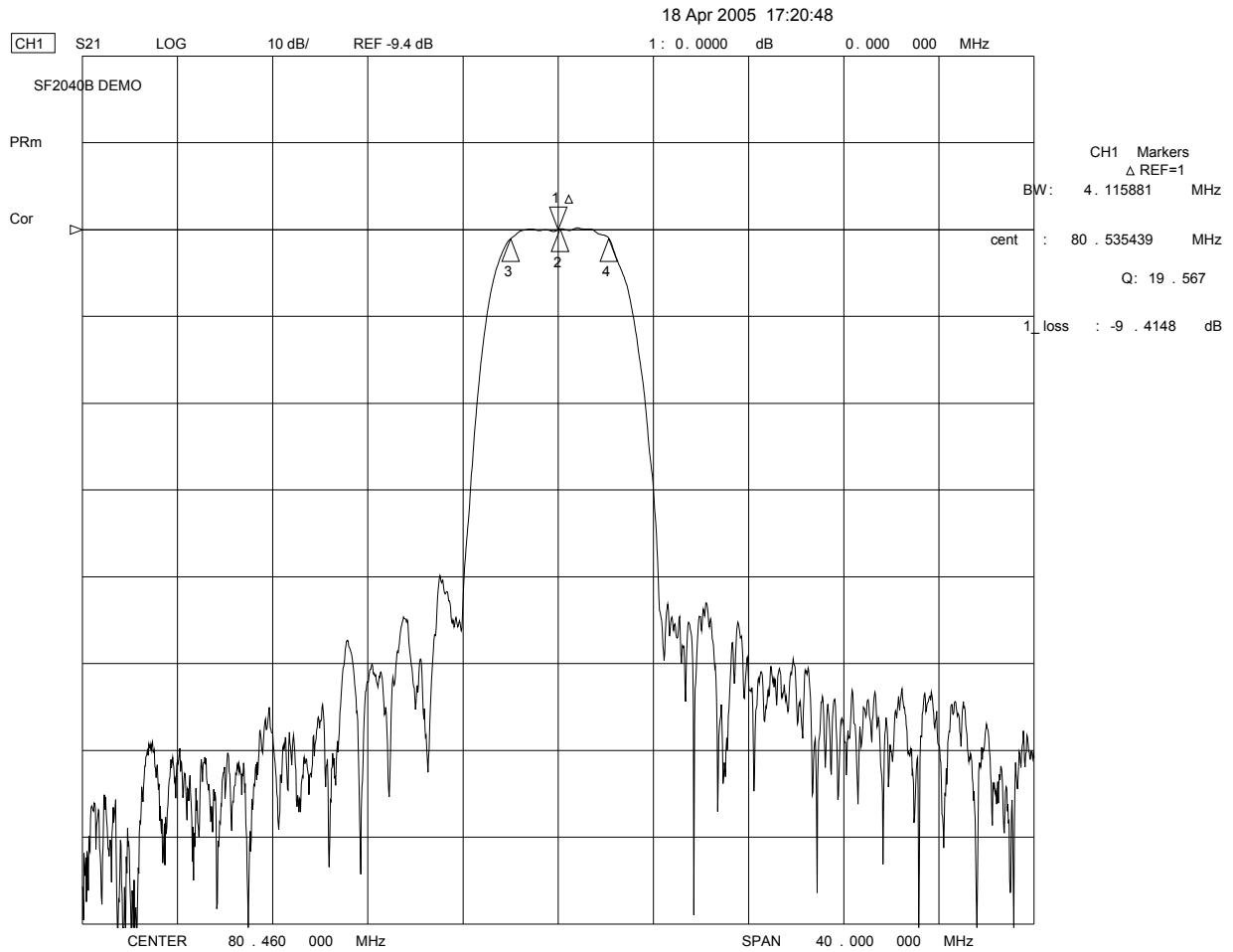
Reference Designator	Value
C13	12 pF
C14	12 pF
L7	240 nH
L8	390 nH
L9	390 pF
C15	10 pF

Matching Circuit and Matching Component Values Used on Filter Demo Board

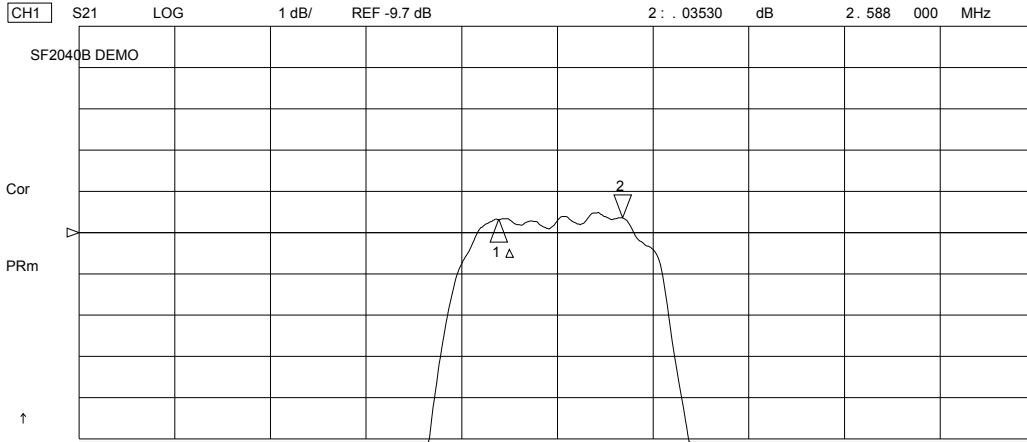


SF2040B
80.460 MHz

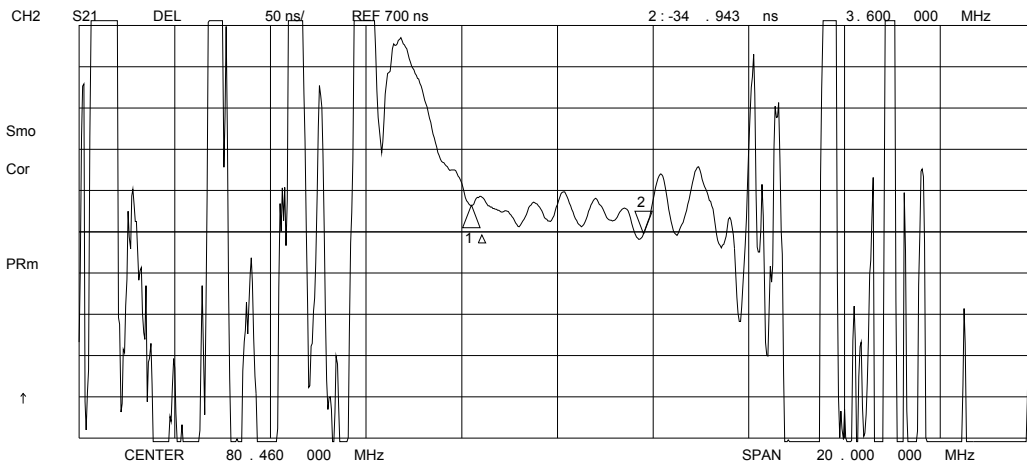
C1 = 9pF
C2 = 9pF
L1 = 270nH
L2 = 330nH
L3 = 330pF
C3 = 12pF



18 Apr 2005 17:17:25



CH1 Markers
Δ REF=1
mean : -9 .4041 dB
s . dev : .09650 dB
p-p : .39870 dB



CH2 Markers
Δ REF=1
mean : 723 .53 ns
s . dev : 12 .938 ns
p-p : 57 .755 ns

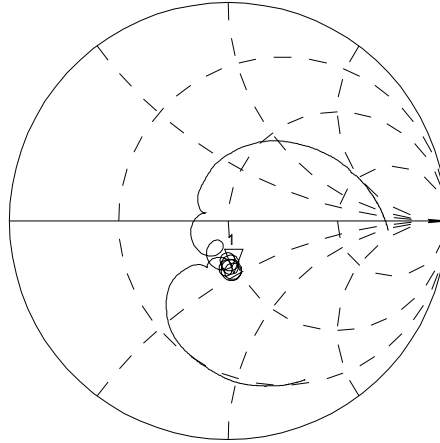
18 Apr 2005 17:09:52

CH1 S11 1 UFS

1: 46.854 Ω -23.961 Ω 82.554 pF 80.460 000 MHz

SF2040B DEMO

PRm

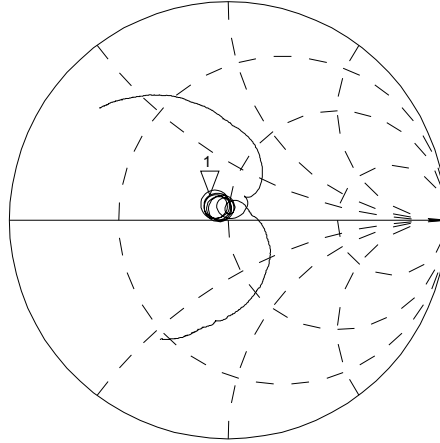


↑

CH2 S22 1 UFS

1: 41.250 Ω 9.5586 Ω 18.908 nH 80.460 000 MHz

PRm



↑

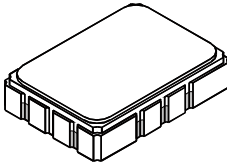
CENTER 80.460 000 MHz

SPAN 20.000 000 MHz

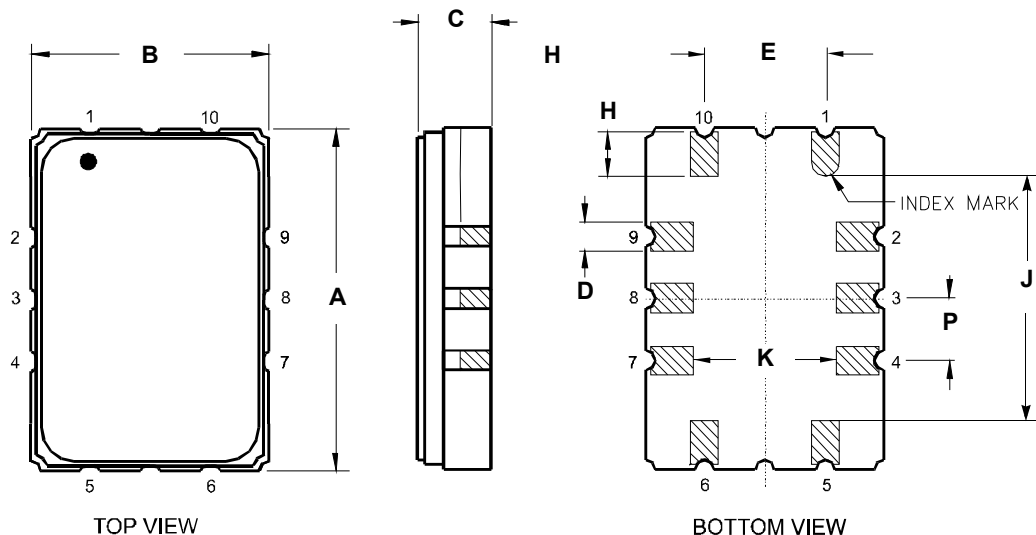
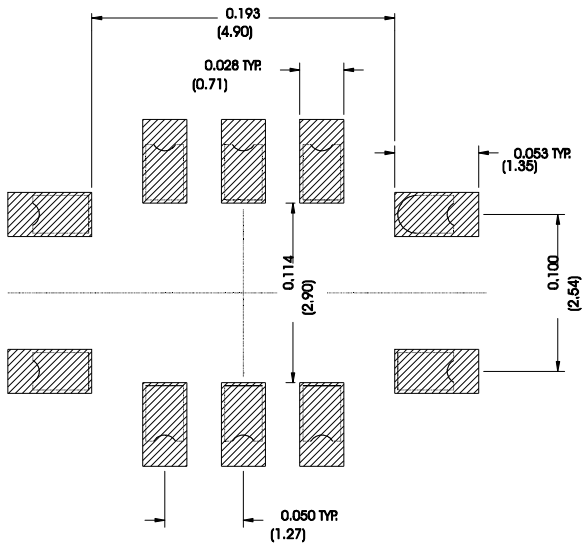
SMP-03 Case

10-Terminal Ceramic Surface-Mount Case

7 x 5 mm Nominal Footprint



Recommended PCB Footprint

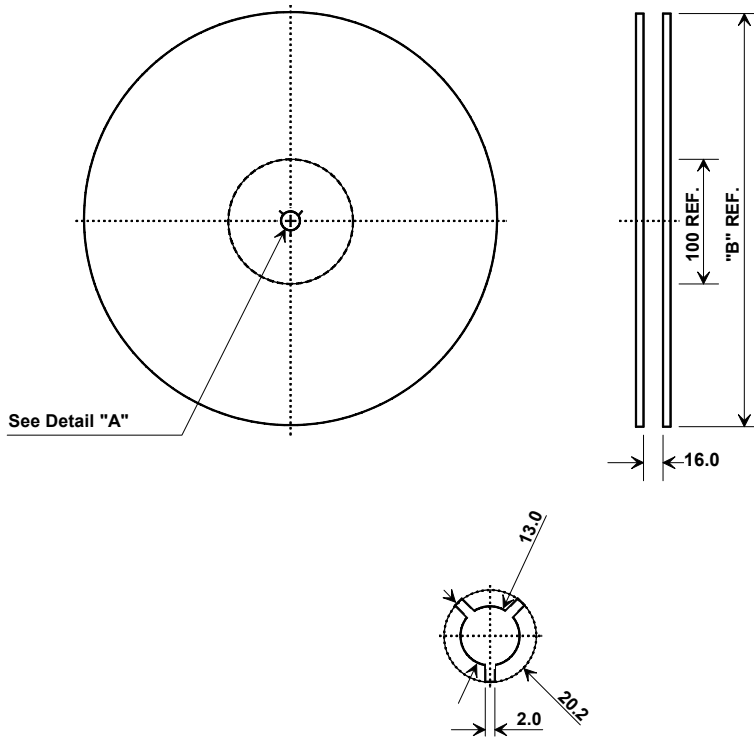


Case Dimensions						
Dimension	mm			Inches		
	Min	Nom	Max	Min	Nom	Max
A	6.80	7.00	7.20	0.268	0.276	0.283
B	4.80	5.00	5.20	0.189	0.197	0.205
C		1.65	2.00		0.065	0.079
D	.47	0.60	.73	0.019	0.024	0.029
E	2.41	2.54	2.67	0.095	0.100	0.105
H	0.87	1.0	1.13	0.034	0.039	0.044
J	4.87	5.00	5.13	0.192	0.197	0.202
K	2.87	3.00	3.13	0.113	0.118	0.123
P	1.14	1.27	1.40	0.045	0.050	0.055

Materials	
Solder Pad Termination	Au plating 30 - 60 ulnches (76.2-152 uM) over 80-200 ulnches (203-508 uM) Ni.
Lid	Fe-Ni-Co Alloy Electroless Nickel Plate (8-11% Phosphorus) 100-200 ulnches Thick
Body	Al ₂ O ₃ Ceramic
Pb Free	

Electrical Connections		
Connection	Terminals	
Port 1	Input or Return	10
	Return or Input	1
Port 2	Output or Return	5
	Return or Output	6
Ground		All others
Single Ended Operation		Return is ground
Differential Operation		Return is hot

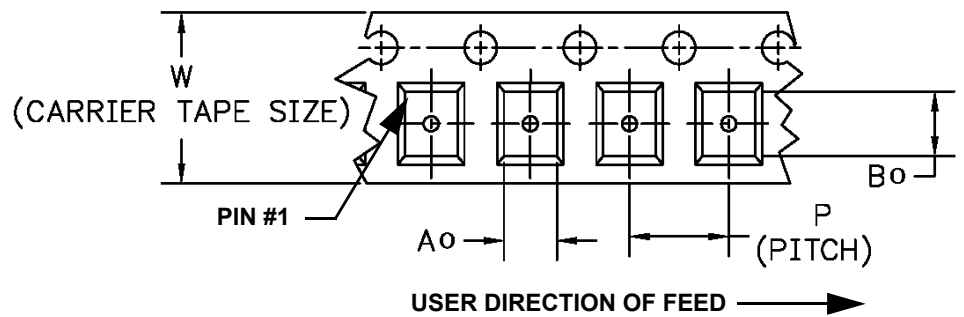
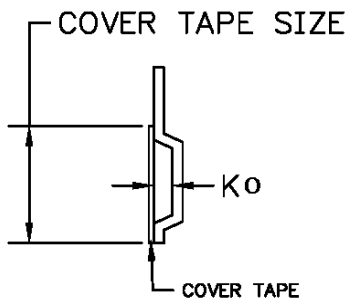
Tape and Reel Specifications



"B"		Quantity Per Reel
Inches	millimeters	
7	178	500
13	330	2000

COMPONENT ORIENTATION and DIMENSIONS

Carrier Tape Dimensions	
Ao	5.5 mm
Bo	7.5 mm
Ko	2.0 mm
Pitch	8.0 mm
W	16.0 mm



Looking for pricing, stock, or lifecycle information?

Click below to explore more details on WIN SOURCE:

- ⊖ [View SF2040B-2 on WIN SOURCE](#)
- ⊖ [Murata Electronics North America Information](#)

Optimize Your Supply Chain with WIN SOURCE Solutions

- ✓ Global Sourcing Solution
- ✓ Obsolete Management
- ✓ Cost Control Management
- ✓ Shortage Management
- ✓ Alternative Solution
- ✓ Excess Inventory Management