



**THE DATASHEET OF
UC29431D**



Precision Adjustable Shunt Regulator

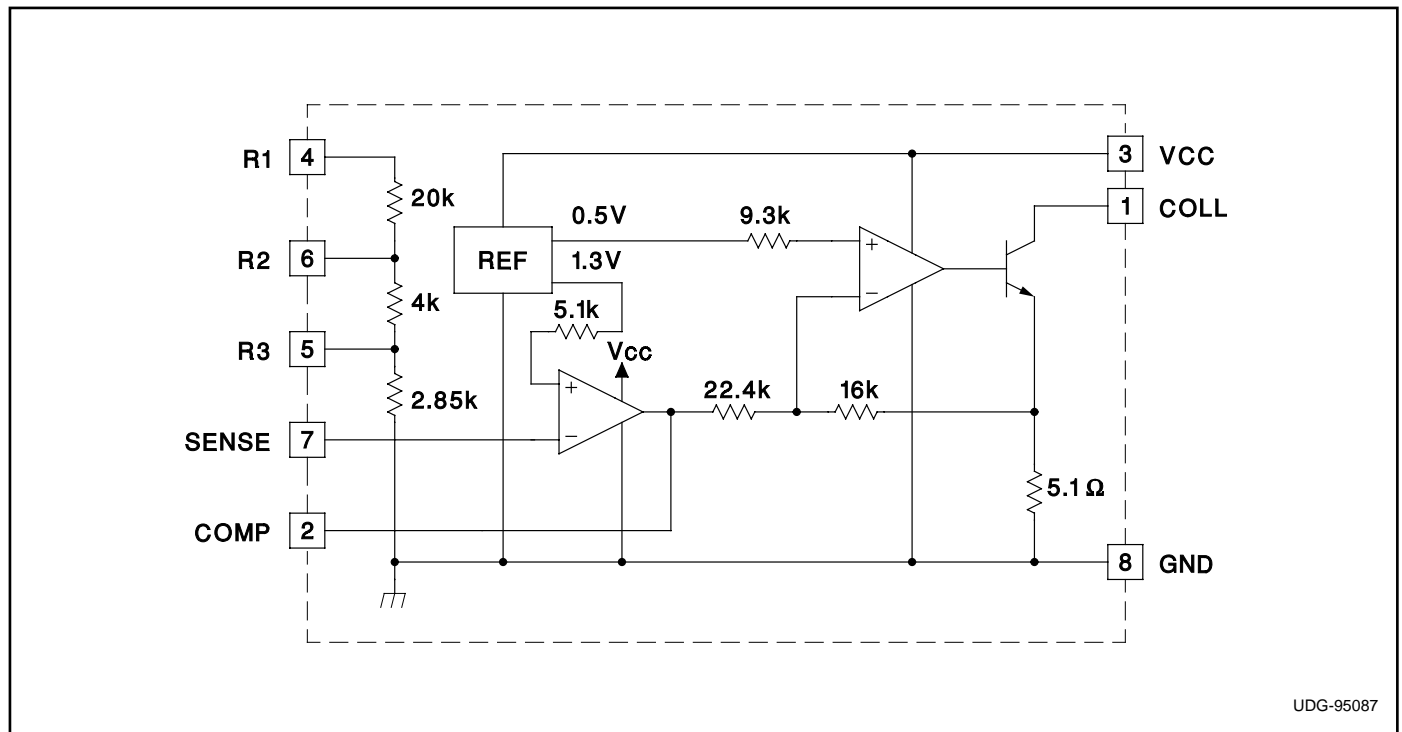
FEATURES

- Multiple On-Chip Programmable Reference Voltages
- 0.4% Initial Accuracy
- 0.7% Overall Reference Tolerance
- 2.2V to 36.0V Operating Supply Voltage and User Programmable Reference
- 36.0V Operating Supply Voltage
- Reference Accuracy Maintained For Entire Range of Supply Voltage
- Superior Accuracy and Easier Compensation for Optoisolator Application
- Improved Architecture Provides a Known Linear Transconductance with a +5% Typical Tolerance

DESCRIPTION

The UC39431 is an adjustable shunt voltage regulator with 100mA sink capability. The architecture, comprised of an error amplifier and transconductance amplifier, gives the user separate control of the small signal error voltage frequency response along with a fixed linear transconductance. A minimum 3MHz gain bandwidth product for both the error and transconductance amplifiers assures fast response. In addition to external programming, the IC has three internal resistors that can be connected in six different configurations to provide regulated voltages of 2.82V, 3.12V, 5.1V, 7.8V, 10.42V, and 12.24V. A sister device (UC39432) provides access to the non-inverting error amplifier input and reference, while eliminating the three internal resistors.

BLOCK DIAGRAM



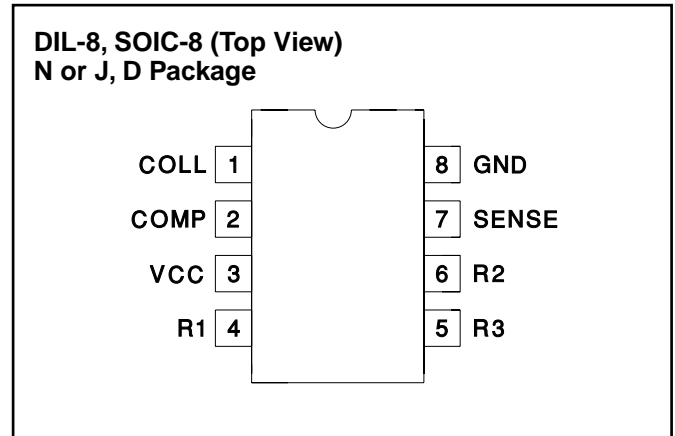
UDG-95087

ABSOLUTE MAXIMUM RATINGS

Supply Voltage: V	36V
Regulated Output: V	36V
Internal Resistors: R1, R2, R3	13V
E/A Input: SENSE	6V
E/A Compensation: COMP	6V
Output Sink Current: I	140mA
Power Dissipation at $T_A \leq 25^\circ\text{C}$ (DIL-8)	1W
Derate 8mW/ $^\circ\text{C}$ for $T_A > 25^\circ\text{C}$	
Storage Temperature Range	-65°C to $+150^\circ\text{C}$
Junction Temperature	-55°C to $+150^\circ\text{C}$
Lead Temperature (Soldering, 10 sec.)	$+300^\circ\text{C}$

Currents are positive into, negative out of the specified terminal. Consult Packaging Section of Databook for thermal limitations and considerations of packages.

CONNECTION DIAGRAM



ELECTRICAL CHARACTERISTICS: Unless otherwise stated, these specifications apply for $T_A = -55^\circ\text{C}$ to $+125^\circ\text{C}$ and COLL Output = 2.4V to 36.0V for the UC19431, $T_A = -25^\circ\text{C}$ to $+85^\circ\text{C}$ and COLL Output = 2.3V to 36.0V for the UC29431, and $T_A = 0^\circ\text{C}$ to $+70^\circ\text{C}$ and COLL Output = 2.3V to 36.0V for the UC39431/B, $V_{CC} = 15\text{V}$, $I_{COLL} = 10\text{mA}$, $T_A = T_J$.

PARAMETER	TEST CONDITIONS		MIN	TYP	MAX	UNITS
Reference Voltage Tolerance	$T_A = 25^\circ\text{C}$	19431*	1.295	1.3	1.305	V
		39431B	1.29	1.3	1.31	V
Reference Temperature Tolerance	$V_{COLL} = 5.0$	19431*	1.291	1.3	1.309	V
		39431B	1.286	1.3	1.314	V
Reference Line Regulation	$V_{CC} = 2.2\text{V}$ to 36.0V , $V_{COLL} = 5\text{V}$	19431*		10	38	mV
Reference Load Regulation	$I_{COLL} = 10\text{mA}$ to 50mA , $V_{COLL} = 5\text{V}$	39431B		10	57	mV
		19431*		10	38	mV
		39431B		10	57	mV
Sense Input Current			-0.5	-0.2		μA
Minimum Operating Current	$V_{CC} = 36.0\text{V}$, $V_{COLL} = 5\text{V}$			0.50	0.80	mA
Collector Current Limit	$V_{COLL} = V_{CC} = 36.0\text{V}$, Ref = 1.35V			130	145	mA
Collector Saturation	$I_{COLL} = 20\text{mA}$		0.7	1.1	1.5	V
Transconductance (gm)	$V_{CC} = 2.4\text{V}$ to 36.0V , $V_{COLL} = 3\text{V}$, $I_{COLL} = 20\text{mA}$	19431*	-170	-140	-110	mS
		39431B	-180	-140	-100	mS
5.1V Reference	Internal Divider	19431*	5.05	5.1	5.15	V
		39431B	5	5.1	5.2	V
12.24V Reference	Internal Divider	19431*	12	12.24	12.5	V
		39431B	12	12.24	12.5	V
Error Amplifier AVOL			60	90		dB
Error Amplifier GBW	(Note 1)		3.0	5		MHz
Transconductance Amplifier GBW				3		MHz

* Also applies to the UC29431 and UC39431

Note: The internal divider can be configured to give six unique references. These references are 2.82V, 3.12V, 5.1V, 7.8V, 10.42V, 12.24V.

Note 1: Guaranteed by design. Not 100% tested in production.

PIN DESCRIPTIONS (cont.)

COLL: The collector of the output transistor with a maximum voltage of 36V. This pin is the output of the transconductance amplifier. The overall open loop voltage gain of the transconductance amplifier is $g_m \cdot R_L$, where g_m is designed to be $-140\text{mS} \pm 30\text{mS}$ and R_L represents the output load.

COMP: The output of the error amplifier and the input to the transconductance amplifier. This pin is available to compensate the high frequency gain of the error amplifier. It is internally voltage limited to approximately 2.0V.

GND: The reference and power ground for the device. The power ground of the output transistor is isolated on the chip from the substrate ground used to bias the remainder of the device.

R1, R2, R3: Connection points to the three internal resistors.

SENSE: The inverting terminal of the error amplifier used as both the voltage sense input to the error amplifier and its other compensation point. The error amplifier uses the SENSE input to compare against the 1.3V on-chip reference.

The SENSE pin is also used as the undervoltage lockout (UVLO). It is intended to keep the chip from operating until the internal reference is properly biased. The threshold is approximately 1V. It is important that once the UVLO is released, the error amplifier can drive the transconductance amplifier to stabilize the loop. If a capacitor is connected between the SENSE and COMP pins to create a pole, it will limit the slew rate of the error amplifier. To increase the bandwidth and ensure startup at low load current, it is recommended to create a zero along with the pole as shown in the shunt regulator application. The error amplifier must slew 2.0V to drive the transconductance amplifier initially on.

VCC: The power connection for the device. The minimum to maximum operating voltage is 2.2V to 36.0V. The quiescent current is typically 0.50mA.

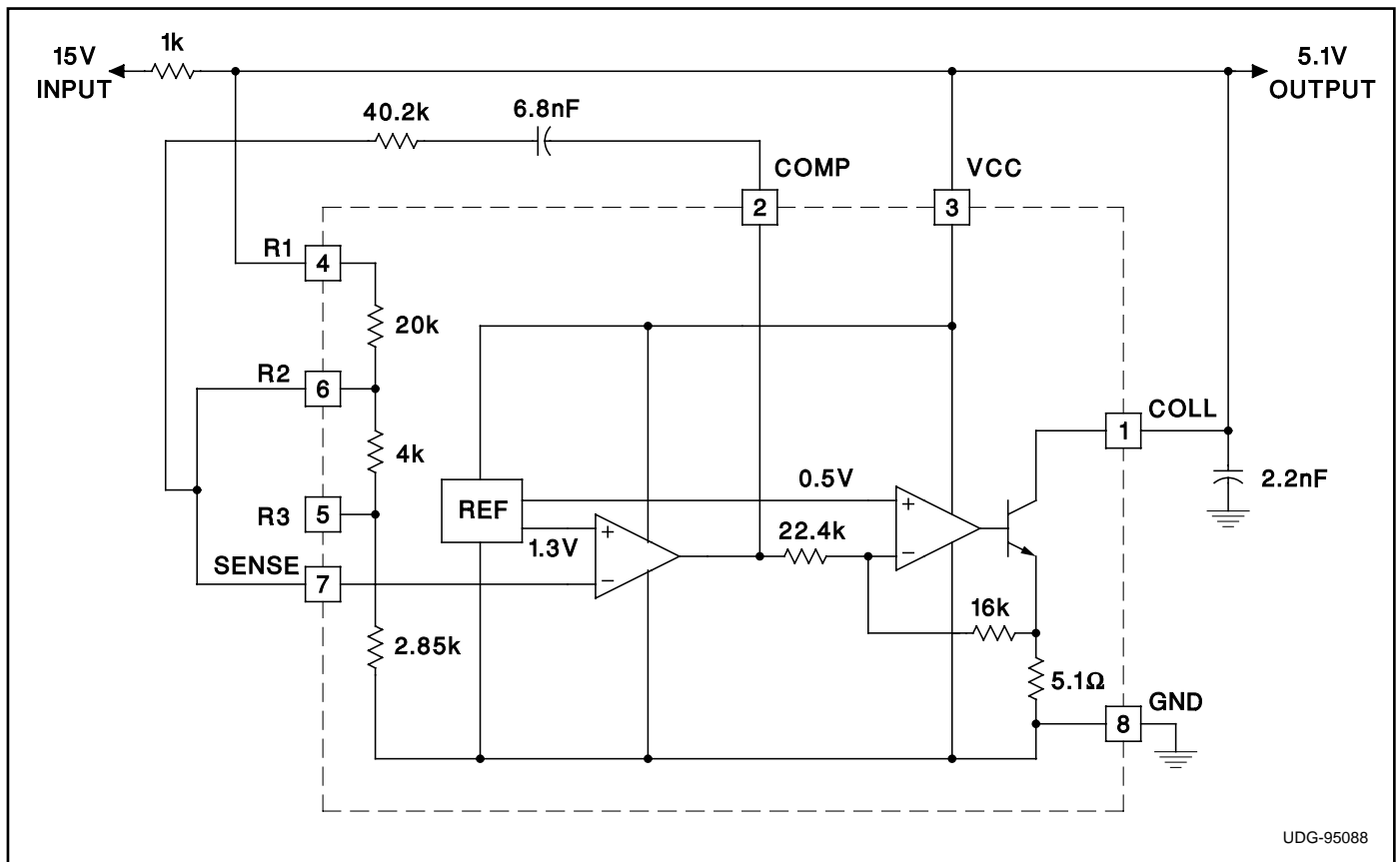


Figure 1. Typical 5.1V shunt regulator application.

APPLICATION INFORMATION

Magnetic Amplifier Controller Application

The 0.4% initial reference makes the UC39431 ideal as a programmable shunt regulator. By adding two external resistors, the on-chip 1.3V reference can be gained to any voltage between 2.2V (2.4V for the UC39431) and 36.0V. The input bias current is typically maintained at 0.2 μ A for the output voltage range. Since the non-inverting error amplifier input is not available, a 5.1k non-inverting input impedance is added to the input of the error amplifier. This allows the user to choose the SENSE pin input impedance to cancel the minimal offset voltage caused by the input bias current.

Frequency Compensation

The UC39431 shunt regulator is designed with two independent gain stages. The error amplifier provides 90dB of gain with a typical gain bandwidth product of 5MHz. The error amplifier provides sufficient gain in order for the sense voltage to be accurately compared to the 1.3V on-chip reference. Complete control of the frequency response of the error amplifier is accomplished with the COMP pin. By putting negative feedback across

the error amplifier, either a pole or a pole-zero can be added.

The second gain stage is the transconductance (g_m) amplifier. The g_m amplifier is designed with a known linear 140mS of transconductance. The voltage gain is consequently $g_m \cdot R_o$, where R_o is the output impedance at the collector pin. The frequency response of the transconductance amplifier is controlled with the COLL pin. The gain bandwidth product of the g_m amplifier is typically 3MHz. A pole or pole-zero can be added to this stage by connecting a capacitor or a series capacitor and resistor between COLL and GND.

The compensation of a control loop containing the UC39431 is made easier due to the independent compensation capability of the error amplifier and g_m amplifier. As shown in the applications information, a pole-zero is created with a series resistor and capacitor between SENSE and COMP. The pole created is dominant, while the zero is used to increase the bandwidth and cancel the effects of the pole created by the capacitor between the COLL and GND pins.

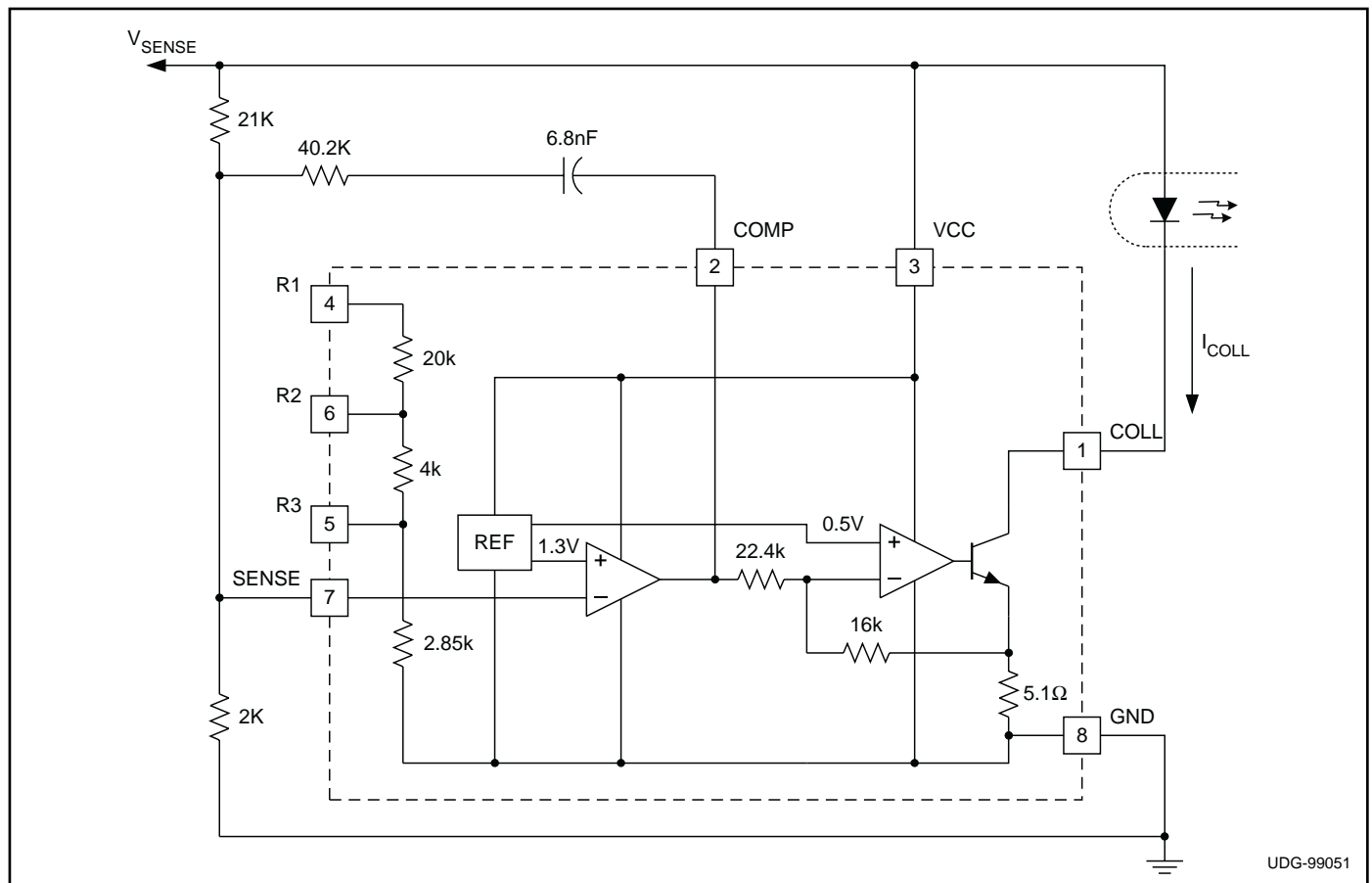


Figure 2. 15.0V optocoupler application.

APPLICATION INFORMATION (cont.)

Optocoupler Application

The two amplifier circuit architecture employed in the UC39431 is most advantageous for the optocoupler application. The error amplifier provides a fixed open loop gain that is available to apply flexible loop compensation of either poles or zeroes. A fixed transconductance amplifier provides a linear current source compared to the typical transistor's exponential output characteristics. It also eliminates the traditional optocoupler's CTR varia-

tions with power supply and voltage, and the need to suffer the additional voltage drop of a series resistor.

Magnetic Amplifier Controller Application

The UC39431 makes an excellent controller for magnetic amplifier regulated outputs. Working from either a square wave drive or from a PWM signal controlled by another output, a saturable reactor provides highly efficient control, requiring only a reset current which can be generated from its own output.

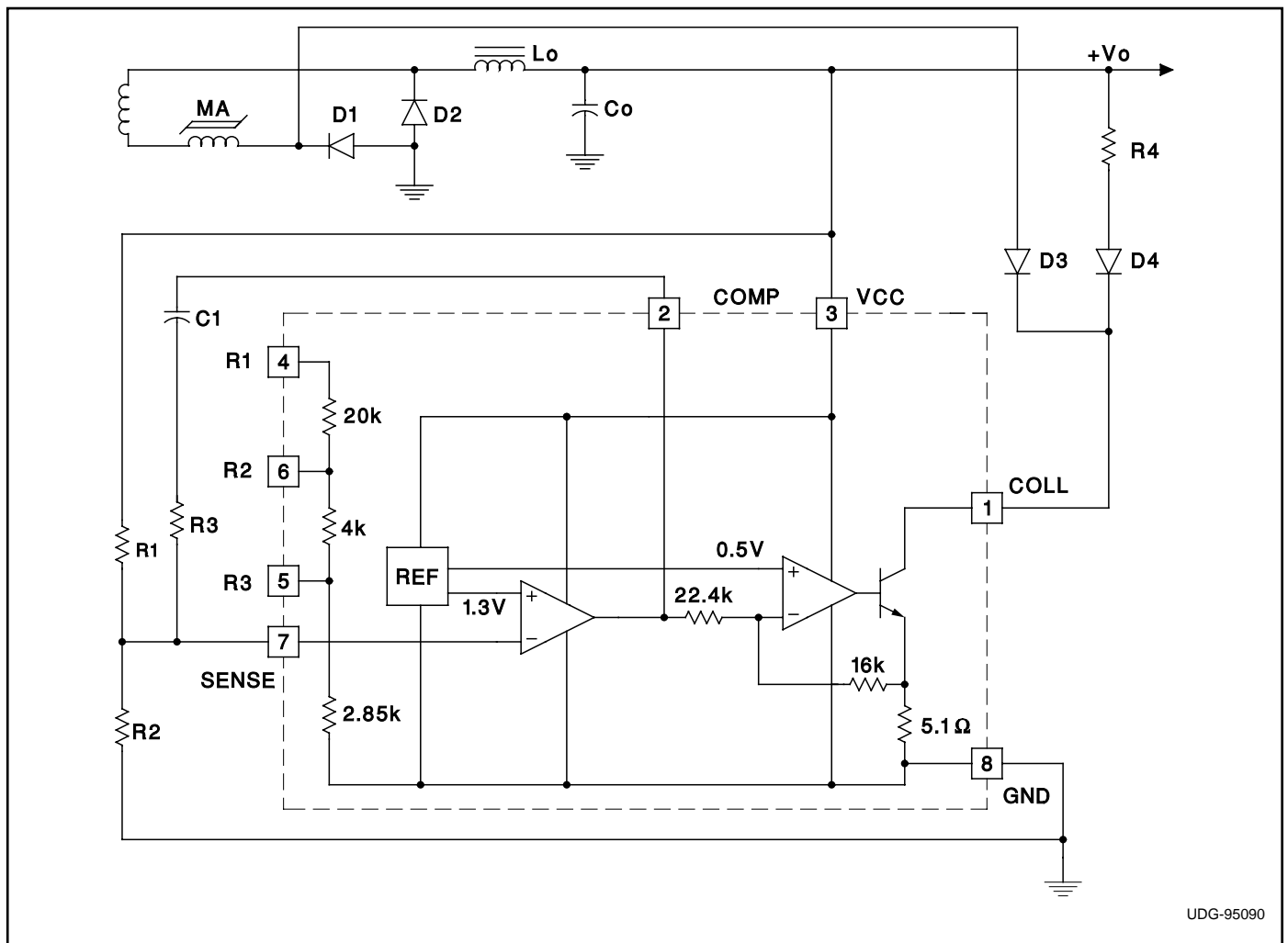


Figure 3. Magnetic amplifier controller application.

Table 1. Resistor divider connection table for shunt applications

REGULATED VOLTAGE	CONNECT R1 TO:	CONNECT R2 TO:	CONNECT R3 TO:
2.82V	SENSE (pin 7)	COLL (pin 1)	SENSE (pin 7)
3.12V	open	COLL (pin 1)	SENSE (pin 7)
5.1V	COLL (pin 1)	SENSE (pin 7)	open
7.8V	COLL (pin 1)	SENSE (pin 7)	GND (pin 8)
10.42V	COLL (pin 1)	SENSE (pin 7)	SENSE (pin 7)
12.24V	COLL (pin 1)	open	SENSE (pin 7)

Note: To obtain the shunt regulated or optocoupler sensed voltage specified in the left column, connect the internal resistors (R1, R2, R3) as indicated. Refer to the shunt regulator application in Fig. 1.

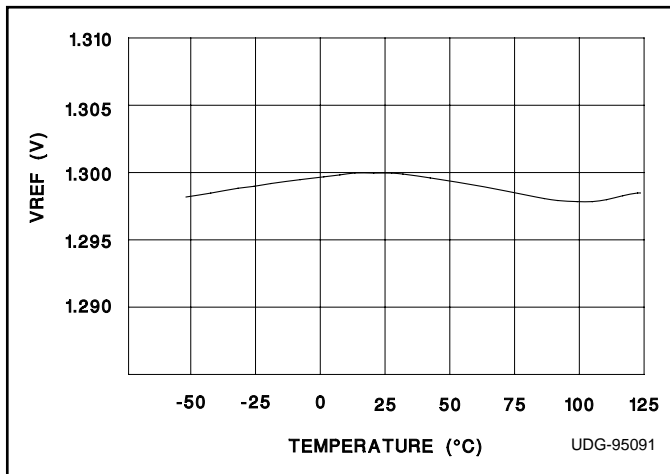


Figure 4. Internal 1.3V vs. temperature.

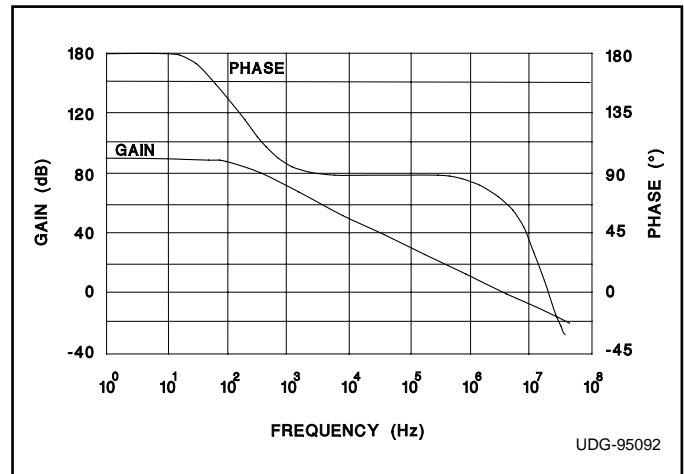


Figure 5. Error amp voltage gain and phase vs. frequency.

PACKAGING INFORMATION

Orderable Device	Status ⁽¹⁾	Package Type	Package Drawing	Pins	Package Qty	Eco Plan ⁽²⁾	Lead/Ball Finish	MSL Peak Temp ⁽³⁾
UC19431J	OBSOLETE	CDIP	JG	8		TBD	Call TI	Call TI
UC19431J883B	OBSOLETE	CDIP	JG	8		TBD	Call TI	Call TI
UC29431D	ACTIVE	SOIC	D	8	75	Green (RoHS & no Sb/Br)	CU NIPDAU	Level-2-260C-1 YEAR
UC29431DG4	ACTIVE	SOIC	D	8	75	Green (RoHS & no Sb/Br)	CU NIPDAU	Level-2-260C-1 YEAR
UC39431D	ACTIVE	SOIC	D	8	75	Green (RoHS & no Sb/Br)	CU NIPDAU	Level-2-260C-1 YEAR
UC39431DG4	ACTIVE	SOIC	D	8	75	Green (RoHS & no Sb/Br)	CU NIPDAU	Level-2-260C-1 YEAR
UC39431DTR	ACTIVE	SOIC	D	8		TBD	Call TI	Call TI
UC39431DTRG4	ACTIVE	SOIC	D	8		TBD	Call TI	Call TI
UC39431N	ACTIVE	PDIP	P	8	50	Green (RoHS & no Sb/Br)	CU NIPDAU	N / A for Pkg Type
UC39431NG4	ACTIVE	PDIP	P	8	50	Green (RoHS & no Sb/Br)	CU NIPDAU	N / A for Pkg Type

⁽¹⁾ The marketing status values are defined as follows:

ACTIVE: Product device recommended for new designs.

LIFEBUY: TI has announced that the device will be discontinued, and a lifetime-buy period is in effect.

NRND: Not recommended for new designs. Device is in production to support existing customers, but TI does not recommend using this part in a new design.

PREVIEW: Device has been announced but is not in production. Samples may or may not be available.

OBSOLETE: TI has discontinued the production of the device.

⁽²⁾ Eco Plan - The planned eco-friendly classification: Pb-Free (RoHS), Pb-Free (RoHS Exempt), or Green (RoHS & no Sb/Br) - please check <http://www.ti.com/productcontent> for the latest availability information and additional product content details.

TBD: The Pb-Free/Green conversion plan has not been defined.

Pb-Free (RoHS): TI's terms "Lead-Free" or "Pb-Free" mean semiconductor products that are compatible with the current RoHS requirements for all 6 substances, including the requirement that lead not exceed 0.1% by weight in homogeneous materials. Where designed to be soldered at high temperatures, TI Pb-Free products are suitable for use in specified lead-free processes.

Pb-Free (RoHS Exempt): This component has a RoHS exemption for either 1) lead-based flip-chip solder bumps used between the die and package, or 2) lead-based die adhesive used between the die and leadframe. The component is otherwise considered Pb-Free (RoHS compatible) as defined above.

Green (RoHS & no Sb/Br): TI defines "Green" to mean Pb-Free (RoHS compatible), and free of Bromine (Br) and Antimony (Sb) based flame retardants (Br or Sb do not exceed 0.1% by weight in homogeneous material)

⁽³⁾ MSL, Peak Temp. -- The Moisture Sensitivity Level rating according to the JEDEC industry standard classifications, and peak solder temperature.

Important Information and Disclaimer:The information provided on this page represents TI's knowledge and belief as of the date that it is provided. TI bases its knowledge and belief on information provided by third parties, and makes no representation or warranty as to the accuracy of such information. Efforts are underway to better integrate information from third parties. TI has taken and continues to take reasonable steps to provide representative and accurate information but may not have conducted destructive testing or chemical analysis on incoming materials and chemicals. TI and TI suppliers consider certain information to be proprietary, and thus CAS numbers and other limited information may not be available for release.

In no event shall TI's liability arising out of such information exceed the total purchase price of the TI part(s) at issue in this document sold by TI to Customer on an annual basis.

IMPORTANT NOTICE

Texas Instruments Incorporated and its subsidiaries (TI) reserve the right to make corrections, modifications, enhancements, improvements, and other changes to its products and services at any time and to discontinue any product or service without notice. Customers should obtain the latest relevant information before placing orders and should verify that such information is current and complete. All products are sold subject to TI's terms and conditions of sale supplied at the time of order acknowledgment.

TI warrants performance of its hardware products to the specifications applicable at the time of sale in accordance with TI's standard warranty. Testing and other quality control techniques are used to the extent TI deems necessary to support this warranty. Except where mandated by government requirements, testing of all parameters of each product is not necessarily performed.

TI assumes no liability for applications assistance or customer product design. Customers are responsible for their products and applications using TI components. To minimize the risks associated with customer products and applications, customers should provide adequate design and operating safeguards.

TI does not warrant or represent that any license, either express or implied, is granted under any TI patent right, copyright, mask work right, or other TI intellectual property right relating to any combination, machine, or process in which TI products or services are used. Information published by TI regarding third-party products or services does not constitute a license from TI to use such products or services or a warranty or endorsement thereof. Use of such information may require a license from a third party under the patents or other intellectual property of the third party, or a license from TI under the patents or other intellectual property of TI.

Reproduction of TI information in TI data books or data sheets is permissible only if reproduction is without alteration and is accompanied by all associated warranties, conditions, limitations, and notices. Reproduction of this information with alteration is an unfair and deceptive business practice. TI is not responsible or liable for such altered documentation. Information of third parties may be subject to additional restrictions.

Resale of TI products or services with statements different from or beyond the parameters stated by TI for that product or service voids all express and any implied warranties for the associated TI product or service and is an unfair and deceptive business practice. TI is not responsible or liable for any such statements.

TI products are not authorized for use in safety-critical applications (such as life support) where a failure of the TI product would reasonably be expected to cause severe personal injury or death, unless officers of the parties have executed an agreement specifically governing such use. Buyers represent that they have all necessary expertise in the safety and regulatory ramifications of their applications, and acknowledge and agree that they are solely responsible for all legal, regulatory and safety-related requirements concerning their products and any use of TI products in such safety-critical applications, notwithstanding any applications-related information or support that may be provided by TI. Further, Buyers must fully indemnify TI and its representatives against any damages arising out of the use of TI products in such safety-critical applications.

TI products are neither designed nor intended for use in military/aerospace applications or environments unless the TI products are specifically designated by TI as military-grade or "enhanced plastic." Only products designated by TI as military-grade meet military specifications. Buyers acknowledge and agree that any such use of TI products which TI has not designated as military-grade is solely at the Buyer's risk, and that they are solely responsible for compliance with all legal and regulatory requirements in connection with such use.

TI products are neither designed nor intended for use in automotive applications or environments unless the specific TI products are designated by TI as compliant with ISO/TS 16949 requirements. Buyers acknowledge and agree that, if they use any non-designated products in automotive applications, TI will not be responsible for any failure to meet such requirements.

Following are URLs where you can obtain information on other Texas Instruments products and application solutions:

Products

Amplifiers	amplifier.ti.com
Data Converters	dataconverter.ti.com
DSP	dsp.ti.com
Clocks and Timers	www.ti.com/clocks
Interface	interface.ti.com
Logic	logic.ti.com
Power Mgmt	power.ti.com
Microcontrollers	microcontroller.ti.com
RFID	www.ti-rfid.com
RF/IF and ZigBee® Solutions	www.ti.com/lprf

Applications

Audio	www.ti.com/audio
Automotive	www.ti.com/automotive
Broadband	www.ti.com/broadband
Digital Control	www.ti.com/digitalcontrol
Medical	www.ti.com/medical
Military	www.ti.com/military
Optical Networking	www.ti.com/opticalnetwork
Security	www.ti.com/security
Telephony	www.ti.com/telephony
Video & Imaging	www.ti.com/video
Wireless	www.ti.com/wireless

Mailing Address: Texas Instruments, Post Office Box 655303, Dallas, Texas 75265
Copyright © 2008, Texas Instruments Incorporated

Looking for pricing, stock, or lifecycle information?

Click below to explore more details on WIN SOURCE:

 [View UC29431D](#) on WIN SOURCE

 [Texas Instruments](#) Information

Optimize Your Supply Chain with WIN SOURCE Solutions

-  Global Sourcing Solution
-  Obsolete Management
-  Cost Control Management
-  Shortage Management
-  Alternative Solution
-  Excess Inventory Management