



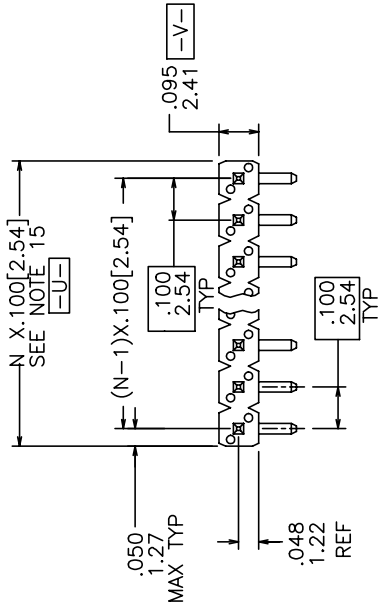
**THE DATASHEET OF  
68015-203HTLF**



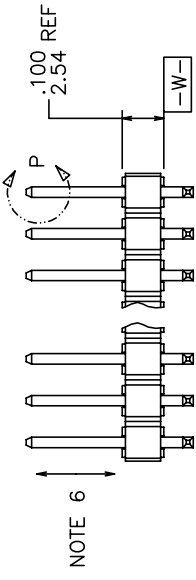
PRODUCT NUMBER

XXXX-XX H1L

- LEAD FREE OPTION  
SEE NOTE 1,8
- TUBE PACKAGING OPTION  
SEE NOTE 1
- HIGH TEMPERATURE PLASTIC  
SEE NOTE 1
- NO OF POSITIONS  
SEE NOTE 1
- PIN PLATING  
SEE SHEET 2
- BASE PART NO.



TOP VIEW



SIDE VIEW

68015-X XX-XXX XXX LF

- TAIL LENGTH (EXAMPLE BELOW)  
3.0mm=030 12.8mm=128 (SEE NOTE 11 & 12)
- MATTING LENGTH (EXAMPLE BELOW)  
5.0mm=050 25.5mm=255 (SEE NOTE 11 & 12)
- TOTAL NUMBER OF POSITION  
FROM 1 THRU 36 POS. (SEE NOTE 1)

- PIN PLATING (SEE NOTE 13)  
1=0.76µm Au  
4= PURE TIN  
8=0.36µm Au

- BASE PART NO.  
SINGLE ROW RIGHT ANGLE

mat'l. code	surface
SEE NOTES 2 & 3	ISO 1302 ✓
lit/tech n°dcr	date
BB BX-N-16105	ZK 10/22/13
BC BX-N-16356	ZK 11/25/13
	angles
	lineo
	0°±2°
AV M08-0168	MHT 6/16/08
AW M08-0267	MHT 9/25/08
AX M08-0331	MHT 12/01/08
BA N11-0118	J.Z. 04/11/11
sheet	revisior
index	sheet
	1
	2
	3
	4

PIN PLATING CODES:

XXXX-1YY	30u"/0.76u MIN (SEE NOTE 9) OVER 50u"/1.27u MIN Ni
XXXX-2YY	15u"/0.38u MIN (SEE NOTE 9) OVER 50u"/1.27u MIN Ni
XXXX-3YY	50u"/1.27u MIN (SEE NOTE 9) OVER 50u"/1.27u MIN Ni
XXXX-4YY	100u"/2.54u MIN Sn OVER 50u"/1.27u MIN Ni (SEE NOTE 10)
XXXX-4YYHLF	
XXXX-5YY	15u"/0.38u MIN (SEE NOTE 9) OVER 50u"/1.27u MIN Ni
XXXX-6YY	30u"/0.76u MIN (SEE NOTE 9) OVER 50u"/1.27u MIN Ni
XXXX-7YY	30u"/0.76u MIN (SEE NOTE 9) OVER 50u"/1.27u MIN Ni
XXXX-8YY	15u"/0.38u MIN (SEE NOTE 9) OVER 50u"/1.27u MIN Ni
XXXX-9YY	15u"/0.38u MIN (SEE NOTE 9) OVER 50u"/1.27u MIN Ni
XXXX-0YY	30u"/0.76u MIN (SEE NOTE 9) OVER 50u"/1.27u MIN Ni

NOTES

①. PART NUMBER OPTIONS:

PIN PLATING CODES (SEE ABOVE)

HIGH TEMP. MATERIAL:

PART NUMBERS WITH AND WITHOUT "H" WILL BE SUPPLIED WITH HIGH TEMPERATURE PLASTIC.

NUMBER OF POSITION:

ANY NUMBER OF POSITIONS FROM 1 THRU 36.

PACKAGING:

PACKAGED IN POLY BAGS.  
EIGHT DIGIT PART NUMBERS FOLLOWED BY A "T" ARE PACKAGED IN TUBES; SEE SPECIFIC PART NUMBERS FOR AVAILABILITY.

LEAD FREE:

ADD "HLF" SUFFIX AT THE END OF PART NUMBER FOR LEAD FREE OPTION, NOT AVAILABLE FOR -5YY,-5YYH,-6YY & -6YYH.

②. BODY MATERIAL:

MANUFACTURER'S OPTION OF NYLON OR PCT, GLASS FIBER REINFORCED, OR LCP MINERAL FILED FLAME RETARDENT PER UL-94V-0. COLOR: BLACK.

PART NUMBERS WITH AND WITHOUT "H" SUFFIX WILL WITHSTAND EXPOSURE TO 260°C PEAK TEMPERATURE FOR 20 SECONDS IN WAVE SOLDER, INFRA-RED OR VAPOR PHASE SOLDER PROCESS.

③. PIN MATERIAL: PHOS-BRONZE.

④. MEASURED WITH PART IN RESTRAINED CONDITION.

5. TWO SIDES OF PIN TIPS NOT PLATED. TYPICAL BOTH ENDS.

⑥. 2LBS/0.9KG MIN PIN RETENTION IN EITHER DIRECTION.

7. MILITARY BERGSTIK HEADER  
P/N XXXXX-YYY-MIL  
NOT AVAILABLE.

⑧. THESE PRODUCTS MEETS EUROPEAN COUNTRY REGULATION AS DESCRIBED IN PLATING OPTIONS:  
PERFORMANCE PLATING WILL BE EITHER OPTIONALLY (78~295u"/2~7.5u) TIN

⑩. THIS PRODUCT HAS 100% TIN PLATING HAS NOT BEEN TESTED FOR WHISKER ENVIRONMENTS."

⑪. THE DAL DON'T EXCEED 31mm  
DAL= MATTING DIM+4.0mm<31mm WHE LENGTH DON'T EXCEED 27mm

⑫. INCREMENTS BY 0.1mm IN LENGTHS

⑬. FOR SPECIAL PACKAGING REQUEST

14. BEND DIMENSIONS AT 1.5mm ONLY

⑮. TO DETERMINE DIMENSIONS:

N=NUMBER OF POSITION PER ROW  
EXAMPLE: 10 POS. N X .100/2.54

.100±.003 [2.54±.08  
TYP. NON-ACCUMULATIVE

RECOMM

mat'l. code	surface
SEE NOTES 2 & 3	ISO 1302 ✓
ltr/tecn n°/dr date	tolerances unles
BC	angles
	lineo
	0°±2'
	dr
	T.BREWB
	enigh
	chr
	apppd
sheet revision	
index sheet	

Form A3

1 | 2 | 3

4 PDS: Rev



1 | 2 | 3 | 4

PRODUCT NUMBER	MATING LENGTH		TAIL LENGTH		BEND DIM		PACKAGING	LF OPTION
	DIM F	DIM F	DIM G	DIM G	DIM H	DIM H		
	ENGLISH METRIC	ENGLISH METRIC	ENGLISH METRIC	ENGLISH METRIC	ENGLISH METRIC	ENGLISH METRIC		
68015-XY	0.230	5.84	0.090	2.29	0.060	1.52	POLY BAGS/TUBES	NOTE 1,8
68016-XY	0.230	5.84	0.120	3.05	0.060	1.52	POLY BAGS/TUBES	
68023-XY	0.135	3.43	0.305	7.75	0.135	3.43	POLY BAGS	
68417-XY	0.230	5.84	0.390	9.91	0.060	1.52	POLY BAGS	
68423-XY	0.318	8.08	0.120	3.05	0.060	1.52	POLY BAGS/TUBES	
68458-XY	0.318	8.08	0.110	2.79	0.060	1.52	POLY BAGS	
68461-XY	0.400	10.16	0.320	8.13	0.260	6.60	POLY BAGS	
68468-XY	0.230	5.84	0.195	4.95	0.160	4.06	POLY BAGS	OB
68488-XY	0.230	5.84	0.180	4.57	0.060	1.52	POLY BAGS	
68494-XY	0.400	10.16	0.110	2.79	0.060	1.52	POLY BAGS	OB
68498-XY	0.230	5.84	0.220	5.59	0.160	4.06	POLY BAGS	
68626-XY	0.230	5.84	0.295	7.49	0.060	1.52	POLY BAGS	
68627-XY	0.120	3.05	0.185	4.70	0.150	3.81	POLY BAGS	OB
68628-XY	0.230	5.84	0.590	14.99	0.060	1.52	POLY BAGS	OB
68641-XY	0.230	5.84	0.490	12.45	0.060	1.52	POLY BAGS	OB
68660-XY	0.110	2.79	0.230	5.84	0.135	3.43	POLY BAGS	OB
68694-XY	0.600	15.24	0.120	3.05	0.060	1.52	POLY BAGS	OB
68757-XY	0.350	8.89	0.220	5.59	0.100	2.54	POLY BAGS	OB
68758-XY	0.275	6.99	0.120	3.05	0.060	1.52	POLY BAGS	
68764-XY	0.100	2.54	0.120	3.05	0.060	1.52	POLY BAGS	
68782-XY	0.318	8.08	0.180	4.57	0.060	1.52	POLY BAGS	OB
68798-XY	0.110	2.79	0.230	5.84	0.160	4.06	POLY BAGS	NOTE 1,8
69189-XY	0.310	7.87	0.250	6.35	0.060	1.52	POLY BAGS	OB
71270-XY	0.600	15.24	0.189	4.80	0.060	1.52	POLY BAGS	OB
72342-XY	0.120	3.05	0.250	6.35	0.060	1.52	POLY BAGS	OB
78230-XY	0.310	7.87	0.330	8.38	0.060	1.52	POLY BAGS	OB
78231-XY	0.310	7.87	0.290	7.37	0.060	1.52	POLY BAGS	OB

A

B

C

FCI Connect



Copyright FCI

FORM A3

3

2

1

mat'l. code	surface
SEE NOTES 2 & 3	ISO 1302 ✓
ltr ecn n°dr	tolerances unlt
BC	angles
	line
	0±2
	dr T.BREME
	engr T.HAN
	chr T.HAN
	appd T.HAN
sheet	revision
index	sheet

4PDS: Rev

PRODUCT NUMBER	MATING LENGTH		TAIL LENGTH		BEND DIM		LF OPTION
	DIM F	ENGLISH METRIC	DIM G	ENGLISH METRIC	DIM H	ENGLISH METRIC	
<del>78234-XY</del>	<del>0.230</del>	<del>5.84</del>	<del>0.140</del>	<del>3.56</del>	<del>0.160</del>	<del>4.06</del>	<del>POLY BAGS</del>
<del>78541-XY</del>	<del>0.318</del>	<del>8.08</del>	<del>0.080</del>	<del>2.03</del>	<del>0.060</del>	<del>1.52</del>	<del>POLY BAGS</del>
<del>78587-XY</del>			UNAVAILABLE				
<del>78938-XY</del>	0.120	3.05	0.120	3.05	0.060	1.52	POLY BAGS
<del>78955-XY</del>	<del>0.075</del>	<del>1.91</del>	<del>0.090</del>	<del>2.29</del>	<del>0.060</del>	<del>1.52</del>	<del>POLY BAGS</del>
<del>78978-XY</del>	<del>0.120</del>	<del>3.05</del>	<del>0.318</del>	<del>8.08</del>	<del>0.135</del>	<del>3.43</del>	<del>POLY BAGS</del>
<del>79409-XY</del>			UNAVAILABLE				
<del>84846-XYH</del>	<del>0.140</del>	<del>3.56</del>	<del>0.290</del>	<del>7.37</del>	<del>0.153</del>	<del>3.89</del>	<del>POLY BAGS</del>
<del>84917-XYH</del>	<del>0.090</del>	<del>2.29</del>	<del>0.195</del>	<del>4.95</del>	<del>0.190</del>	<del>4.83</del>	<del>POLY BAGS</del>
<del>84935-XYH</del>	<del>0.450</del>	<del>11.43</del>	<del>0.320</del>	<del>8.13</del>	<del>0.260</del>	<del>6.60</del>	<del>POLY BAGS</del>
<del>84936-XYH</del>	<del>0.350</del>	<del>8.89</del>	<del>0.120</del>	<del>3.05</del>	<del>0.060</del>	<del>1.52</del>	<del>POLY BAGS</del>
<del>87532-XYH</del>	<del>0.230</del>	<del>5.84</del>	<del>0.890</del>	<del>22.61</del>	<del>0.060</del>	<del>1.52</del>	<del>POLY BAGS</del>
<del>88813-XY</del>	<del>0.230</del>	<del>5.84</del>	<del>0.085</del>	<del>2.16</del>	<del>0.060</del>	<del>1.52</del>	<del>POLY BAGS</del>
<del>92050-XY</del>	<del>0.162</del>	<del>4.11</del>	<del>0.120</del>	<del>3.05</del>	<del>0.060</del>	<del>1.52</del>	<del>POLY BAGS</del>
<del>92632-XY</del>	<del>0.100</del>	<del>2.54</del>	<del>0.318</del>	<del>8.08</del>	<del>0.060</del>	<del>1.52</del>	<del>POLY BAGS</del>
<del>92909-XY</del>	<del>0.400</del>	<del>10.16</del>	<del>0.220</del>	<del>5.59</del>	<del>0.060</del>	<del>1.52</del>	<del>POLY BAGS</del>
<del>94099-XY</del>	<del>0.157</del>	<del>3.99</del>	<del>0.090</del>	<del>2.29</del>	<del>0.060</del>	<del>1.52</del>	<del>POLY BAGS</del>
<del>94529-XYH</del>	<del>0.120</del>	<del>3.05</del>	<del>0.295</del>	<del>7.49</del>	<del>0.135</del>	<del>3.43</del>	<del>POLY BAGS</del>
<del>94671-XYH</del>	<del>0.090</del>	<del>2.29</del>	<del>0.085</del>	<del>2.16</del>	<del>0.180</del>	<del>4.57</del>	<del>POLY BAGS</del>
<del>95653-XYH</del>	<del>0.330</del>	<del>8.38</del>	<del>0.310</del>	<del>7.87</del>	<del>0.160</del>	<del>4.06</del>	<del>POLY BAGS</del>
<del>95666-XYH</del>	<del>0.230</del>	<del>5.84</del>	<del>0.145</del>	<del>3.68</del>	<del>0.060</del>	<del>1.52</del>	<del>POLY BAGS</del>
<del>10089061-XY</del>	<del>0.125</del>	<del>3.18</del>	<del>0.318</del>	<del>8.08</del>	<del>0.135</del>	<del>3.43</del>	<del>POLY BAGS</del>

A

B

C

D



Copyright FCI

Form A3

3

2

1



4

PDS: Rev

mat'l. code	surface
SEE NOTES 2 & 3	ISD 1302 ✓
tr/echn n°dtr	date
BC	tolerances unles
	angles
	linec
	0°±2°
	T.BREWE
	engr T.HAN
	chr T.HAN
	appd T.HAN
sheet	revision
index	sheet

## Looking for pricing, stock, or lifecycle information?

Click below to explore more details on WIN SOURCE:

-  [View 68015-203HTLF on WIN SOURCE](#)
-  [Amphenol FCI Information](#)

## Optimize Your Supply Chain with WIN SOURCE Solutions

-  Global Sourcing Solution
-  Obsolete Management
-  Cost Control Management
-  Shortage Management
-  Alternative Solution
-  Excess Inventory Management