



**THE DATASHEET OF
MAX391ESE+**



Precision, Quad, SPST Analog Switches

General Description

The MAX391/MAX392/MAX393 are precision, quad, single-pole/single-throw (SPST) analog switches designed to operate at +3V, +5V, or ±5V. The MAX391 has four normally closed (NC) switches, and the MAX392 has four normally open (NO) switches. The MAX393 has two NO and two NC switches. All three devices offer low leakage (100pA max) and fast switching speeds ($t_{ON} \leq 130\text{ns}$, $t_{OFF} \leq 75\text{ns}$). Power consumption is just 1 μW —ideal for battery-operated equipment. All devices operate from a single +3V to +15V supply or from dual ±3.0V to ±8V supplies.

With ±5V supplies, the MAX391/MAX392/MAX393 offer guaranteed 2 Ω max channel-to-channel matching, 30 Ω max on-resistance (R_{ON}), and 4 Ω max R_{ON} flatness over the specified range.

These switches are also fully specified for single +5V operation, with 2 Ω max R_{ON} match, 60 Ω max R_{ON} , and 6 Ω max flatness.

These low-voltage switches also offer 5pC max charge injection, and ESD protection is greater than 2000V, per method 3015.7.

Applications

| | |
|---------------------------|------------------------------|
| Battery-Operated Systems | Sample-and-Hold Circuits |
| Heads-Up Displays | Guidance and Control Systems |
| Audio and Video Switching | Military Radios |
| Test Equipment | Communications Systems |
| ±5V DACs and ADCs | PBX, PABX |

Features

- ◆ Low On-Resistance, 20 Ω Typical
- ◆ Guaranteed On-Resistance Match Between Channels, < 2 Ω
- ◆ Guaranteed On-Resistance Flatness Over Signal Range, 4 Ω Max
- ◆ Guaranteed Charge Injection, < 5pC
- ◆ Improved Leakage Over Temperature, < 2.5nA at +85°C
- ◆ Electrostatic Discharge > 2000V per Method 3015.7
- ◆ Single-Supply Operation (+3V to +15V)
Bipolar-Supply Operation (±3V to ±8V)
- ◆ Low Power Consumption, < 1 μW
- ◆ TTL/CMOS-Logic Compatible

Ordering Information

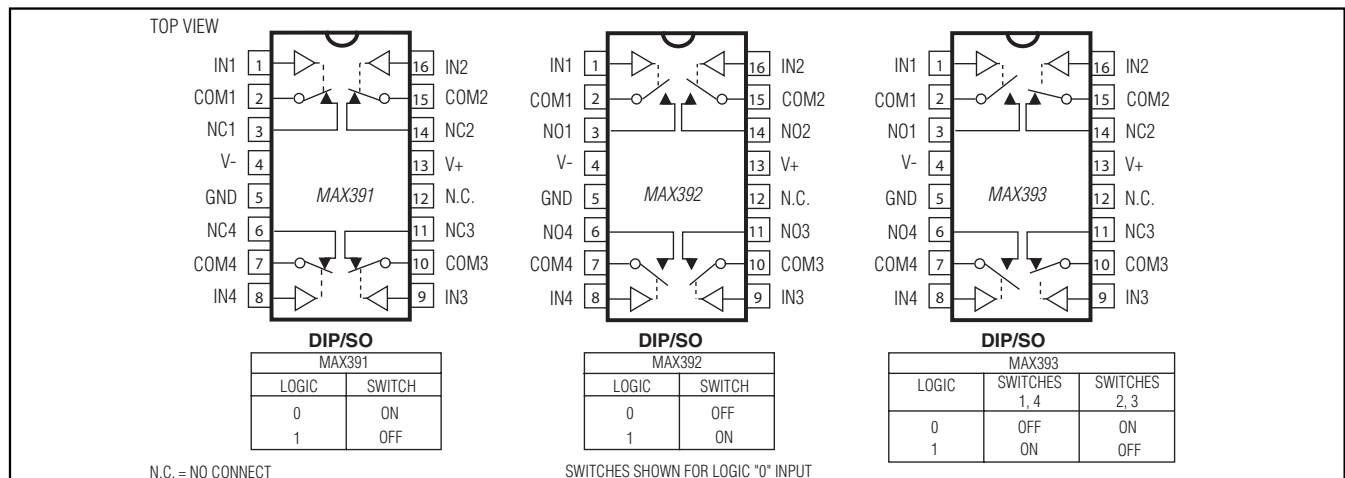
| PART | TEMP RANGE | PIN-PACKAGE | PKG CODE |
|-----------|----------------|----------------|----------|
| MAX391CPE | 0°C to +70°C | 16 Plastic DIP | P16-1 |
| MAX391CSE | 0°C to +70°C | 16 Narrow SO | S16-2 |
| MAX391CUE | 0°C to +70°C | 16 TSSOP | U16-2 |
| MAX391CGE | 0°C to +70°C | 16 QFN-EP† | G1644-1 |
| MAX391C/D | 0°C to +70°C | Dice* | — |
| MAX391EPE | -40°C to +85°C | 16 Plastic DIP | P16-1 |

Ordering Information continued on last page.

*Contact factory for dice specifications.

†EP = Exposed pad.

Pin Configurations/Functional Diagrams/Truth Tables



For pricing, delivery, and ordering information, please contact Maxim Direct at 1-888-629-4642, or visit Maxim's website at www.maximintegrated.com.

MAX391/MAX392/MAX393

Precision, Quad, SPST Analog Switches

ABSOLUTE MAXIMUM RATINGS

Voltage Referenced to V-

| | |
|--|----------------------|
| V+ | -0.3V to +17V |
| GND | -0.3V to +17V |
| GND | -0.3V to (V+ + 0.3V) |
| VIN_, VCOM_, VNC_, VNO_ (Note 1) | V- to V+ |
| Current (any terminal) | 30mA |
| Peak Current, COM_, NO_, NC_ (pulsed at 1ms, 10% duty cycle max) | 100mA |
| ESD per Method 3015.7 | > 2000V |
| Continuous Power Dissipation (TA = +70°C) | 842mW |
| Plastic DIP (derate 10.53mW/°C above +70°C) | 842mW |

| | |
|--|-----------------|
| Narrow SO (derate 8.70mW/°C above +70°C) | 696mW |
| TSSOP (derate 6.7mW/°C above +70°C) | 457mW |
| CERDIP (derate 10.00mW/°C above +70°C) | 800mW |
| QFN (derate 18.5mW/°C above +70°C) | 1481mW |
| Operating Temperature Ranges | |
| MAX39_C_ | 0°C to +70°C |
| MAX39_E_ | -40°C to +85°C |
| MAX39_M_ | -55°C to +125°C |
| Storage Temperature Range | -65°C to +150°C |
| Lead Temperature (soldering, 10s) | +300°C |

Note 1: Signals on NC_, NO_, COM_, or IN_ exceeding V+ or V- are clamped by internal diodes. Limit forward diode current to maximum current rating.

Stresses beyond those listed under "Absolute Maximum Ratings" may cause permanent damage to the device. These are stress ratings only, and functional operation of the device at these or any other conditions beyond those indicated in the operational sections of the specifications is not implied. Exposure to absolute maximum rating conditions for extended periods may affect device reliability.

ELECTRICAL CHARACTERISTICS—Dual Supplies

(V+ = +5V ±10%, V- = -5V ±10%, GND = 0V, VINH = 2.4V, VINL = 0.8V, TA = TMIN to TMAX, unless otherwise noted.)

| PARAMETER | SYMBOL | CONDITIONS | MIN | TYP (Note 2) | MAX | UNITS | |
|---|----------------------|--|-------------------|-----------------|------|-------|----|
| ANALOG SWITCH | | | | | | | |
| Analog Signal Range | VCOM_, VNO_, VNC_ | (Note 3) | V- | | V+ | V | |
| On-Resistance | RON | V+ = 4.5V, V- = -4.5V, ICOM_ = -10mA, VNO_ or VNC_ = ±3.5V | TA = +25°C | C, E | 20 | 35 | Ω |
| | | | | M | 20 | 30 | |
| | | | TA = TMIN to TMAX | | 45 | | |
| On-Resistance Match Between Channels (Note 4) | ΔRON | V+ = 5V, V- = -5V, ICOM_ = -10mA, VNO_ or VNC_ = ±3V | TA = +25°C | | 0.3 | 2 | Ω |
| | | | TA = TMIN to TMAX | | 4 | | |
| On-Resistance Flatness (Note 5) | RFLAT(ON) | V+ = 5V, V- = -5V, ICOM_ = -10mA, VNO_ or VNC_ = ±3V | TA = +25°C | | 1 | 4 | Ω |
| | | | TA = TMIN to TMAX | | 6 | | |
| NO or NC Off-Leakage Current (Note 6) | INO(OFF) or INC(OFF) | V+ = 5.5V, V- = -5.5V, VCOM_ = ±4.5V, VNO_ or VNC_ = ±4.5V | TA = +25°C | | -0.1 | ±0.01 | nA |
| | | | TA = TMIN to TMAX | C, E | -2.5 | +2.5 | |
| | | | | M | -5 | +5 | |
| COM Off-Leakage Current (Note 6) | ICOM(OFF) | V+ = 5.5V, V- = -5.5V, VCOM_ = ±4.5V, VNO_ or VNC_ = ±4.5V | TA = +25°C | | -0.1 | ±0.01 | nA |
| | | | TA = TMIN to TMAX | C, E | -2.5 | +2.5 | |
| | | | | M | -5 | +5 | |
| COM On-Leakage Current (Note 6) | ICOM(ON) | V+ = 5.5V, V- = -5.5V, VCOM_ = ±4.5V, VNO_ or VNC_ = ±4.5V | TA = +25°C | | -0.2 | ±0.01 | nA |
| | | | TA = TMIN to TMAX | C, E | -5.0 | +5.0 | |
| | | | | M | -20 | +20 | |

MAX391/MAX392/MAX393

Precision, Quad, SPST Analog Switches

ELECTRICAL CHARACTERISTICS—Dual Supplies (continued)

(V+ = +5V ±10%, V- = -5V ±10%, GND = 0V, VINH = 2.4V, VINL = 0.8V, TA = TMIN to TMAX, unless otherwise noted.)

| PARAMETER | SYMBOL | CONDITIONS | MIN | TYP (Note 2) | MAX | UNITS |
|---------------------------------------|-----------------------|---|---|-----------------|------|-------|
| LOGIC INPUT | | | | | | |
| Input Current with Input-Voltage High | I _{INH} | IN = 2.4V, all others = 0.8V | -0.5 | ±0.005 | +0.5 | μA |
| Input Current with Input-Voltage Low | I _{INL} | IN = 0.8V, all others = 2.4V | -0.5 | ±0.005 | +0.5 | μA |
| DYNAMIC | | | | | | |
| Turn-On Time | t _{ON} | V _{COM_} = ±3V, Figure 2 | TA = +25°C | 65 | 130 | ns |
| | | | TA = T _{MIN} to T _{MAX} | | 175 | |
| Turn-Off Time | t _{OFF} | V _{COM_} = ±3V, Figure 2 | TA = +25°C | 35 | 75 | ns |
| | | | TA = T _{MIN} to T _{MAX} | | 100 | |
| Break-Before-Make Time Delay (Note 3) | t _D | MAX393 only, RL = 300Ω, CL = 35pF, Figure 3 | 5 | 10 | | ns |
| Charge Injection (Note 3) | Q | CL = 1.0nF, VGEN = 0V, RGEN = 0Ω, Figure 4 | | 2 | 5 | pC |
| Off-Isolation (Note 7) | OIRR | RL = 50Ω, CL = 5pF, f = 1MHz, Figure 5 | | 72 | | dB |
| Crosstalk (Note 8) | | RL = 50Ω, CL = 5pF, f = 1MHz, Figure 6 | | 85 | | dB |
| NC or NO Capacitance | C _(OFF) | f = 1MHz, Figure 7 | | 9 | | pF |
| COM Off-Capacitance | C _{COM(OFF)} | f = 1MHz, Figure 7 | | 9 | | pF |
| COM On-Capacitance | C _{COM(ON)} | f = 1MHz, Figure 8 | | 22 | | pF |
| SUPPLY | | | | | | |
| Power-Supply Range | | | -8.0 | | +8.0 | V |
| Positive Supply Current | I+ | V+ = 5.5V, V- = -5.5V, VIN = 0V or V+, all channels on or off | | -1 | +1 | μA |
| Negative Supply Current | I- | V+ = 5.5V, V- = -5.5V, VIN = 0V or V+, all channels on or off | | -1 | +1 | μA |

MAX391/MAX392/MAX393

Precision, Quad, SPST Analog Switches

ELECTRICAL CHARACTERISTICS—Single +5V Supply

(V+ = +5V ±10%, V- = 0V ±10%, GND = 0V, VINH = 2.4V, VINL = 0.8V, TA = TMIN to TMAX, unless otherwise noted.)

| PARAMETER | SYMBOL | CONDITIONS | | MIN | TYP (Note 2) | MAX | UNITS |
|--|----------------------------|--|----------------------|-------|-----------------|-------|-------|
| ANALOG SWITCH | | | | | | | |
| Analog Signal Range | VCOM_, VNO_, VNC_ | (Note 3) | | 0 | | V+ | V |
| On-Resistance | RON | V+ = 4.5V, ICOM_ = -10mA, VNO_ or VNC_ = 3.5V | TA = +25°C | 30 | 60 | | Ω |
| | | | TA = TMIN to TMAX | | | 75 | |
| On-Resistance Match Between Channels (Note 4) | ΔRON | V+ = 5V, ICOM_ = -1.0mA, VNO_ or VNC_ = 3V | TA = +25°C | 0.8 | 2 | | Ω |
| | | | TA = TMIN to TMAX | | | 4 | |
| On-Resistance Flatness (Notes 3, 5) | RFLAT(ON) | V+ = 5V, ICOM_ = -1.0mA, VNO_ or VNC_ = 1V, 3V | TA = +25°C | 2 | 6 | | Ω |
| | | | TA = TMIN to TMAX | | | 8 | |
| NO or NC Off-Leakage Current (Note 9) | INO(OFF) or INC(OFF) | V+ = 5.5V, VCOM_ = 0V, VNO_ or VNC_ = 4.5V | TA = +25°C | -0.25 | ±0.01 | +0.25 | nA |
| | | | TA = TMIN to TMAX | C, E | -0.1 | +0.1 | |
| | | | | M | -2.5 | +2.5 | |
| COM Off-Leakage Current (Note 9) | ICOM(OFF) | V+ = 5.5V, VCOM_ = 0V, VNO_ or VNC_ = 4.5V | TA = +25°C | -0.1 | +0.1 | | nA |
| | | | TA = TMIN to TMAX | C, E | -2.5 | +2.5 | |
| | | | | M | -5.0 | +5.0 | |
| COM On-Leakage Current (Note 9) | ICOM(ON) | V+ = 5.5V, VCOM_ = 5V, VNO_ or VNC_ = 4.5V | TA = +25°C | -0.2 | +0.2 | | nA |
| | | | TA = TMIN to TMAX | C, E | -5.0 | +5.0 | |
| | | | | M | -20 | +20 | |
| DYNAMIC | | | | | | | |
| Turn-On Time | tON | VNO_ or VNC_ = 3V | TA = +25°C | 85 | 170 | | ns |
| | | | TA = TMIN to TMAX | | | 240 | |
| Turn-Off Time | tOFF | VNO_ or VNC_ = 3V | TA = +25°C | 25 | 50 | | ns |
| | | | TA = TMIN to TMAX | | | 100 | |
| Break-Before-Make Time Delay (Note 3) | tD | MAX393 only, RL = 300Ω, CL = 35pF | | 10 | | | ns |
| Charge Injection (Note 3) | Q | CL = 1.0nF, VGEN = 0V, RGEN = 0V, Figure 4 | TA = +25°C | 1 | 5 | | pC |
| SUPPLY | | | | | | | |
| Positive Supply Current | I+ | V+ = 5.5V, VIN = 0V or V+, all channels on or off | | -1 | +1 | | μA |
| Negative Supply Current | I- | V+ = 5.5V, VIN = 0V or V+, all channels on or off | | -1 | +1 | | μA |

MAX391/MAX392/MAX393

Precision, Quad, SPST Analog Switches

ELECTRICAL CHARACTERISTICS—Single +3.3V Supply

(V+ = +3.0V to +3.6V, GND = 0V, V_{INH} = 2.4V, V_{INL} = 0.8V, T_A = T_{MIN} to T_{MAX}, unless otherwise noted.)

| PARAMETER | SYMBOL | CONDITIONS | | MIN | TYP (Note 2) | MAX | UNITS |
|---------------------------------------|---|--|---|-----|-----------------|-----|-------|
| ANALOG SWITCH | | | | | | | |
| Analog Signal Range | V _{COM_} , V _{NO_} , V _{NC_} | (Note 3) | | 0 | | V+ | V |
| Channel On-Resistance | R _{ON} | V+ = 3V, I _{COM_} = -1.0mA, V _{NO_} or V _{NC_} = 1.5V | T _A = +25°C | 83 | 175 | | Ω |
| | | | T _A = T _{MIN} to T _{MAX} | | 275 | | |
| DYNAMIC | | | | | | | |
| Turn-On Time (Note 3) | t _{ON} | V _{NO_} or V _{NC_} = 1.5V | T _A = +25°C | 160 | 400 | | ns |
| | | | T _A = T _{MIN} to T _{MAX} | | 500 | | |
| Turn-Off Time (Note 3) | t _{OFF} | V _{NO_} or V _{NC_} = 1.5V | T _A = +25°C | 40 | 125 | | ns |
| | | | T _A = T _{MIN} to T _{MAX} | | 175 | | |
| Break-Before-Make Time Delay (Note 3) | t _D | MAX393 only, R _L = 300Ω, C _L = 35pF | T _A = +25°C | 20 | | | ns |
| Charge Injection (Note 3) | Q | C _L = 1.0nF, V _{GEN} = 0V, R _{GEN} = 0V | T _A = +25°C | | 1 | 5 | pC |
| SUPPLY | | | | | | | |
| Positive Supply Current | I+ | V+ = 3.6V, V _{IN} = 0V or V+, all channels on or off | | -1 | | +1 | μA |
| Negative Supply Current | I- | V+ = 3.6V, V _{IN} = 0V or V+, all channels on or off | | -1 | | +1 | μA |

Note 2: The algebraic convention, where the most negative value is a minimum and the most positive value a maximum, is used in this data sheet.

Note 3: Guaranteed by design.

Note 4: ΔR_{ON} = ΔR_{ON} max - ΔR_{ON} min.

Note 5: Flatness is defined as the difference between the maximum and minimum value of on-resistance as measured over the specified analog signal range.

Note 6: Leakage parameters are 100% tested at maximum rated hot temperature and guaranteed by correlation at +25°C.

Note 7: Off-isolation = 20 log₁₀ [V_{COM_} / (V_{NC_} or V_{NO_})], V_{COM_} = output, V_{NC_} or V_{NO_} = input to off switch.

Note 8: Between any two switches.

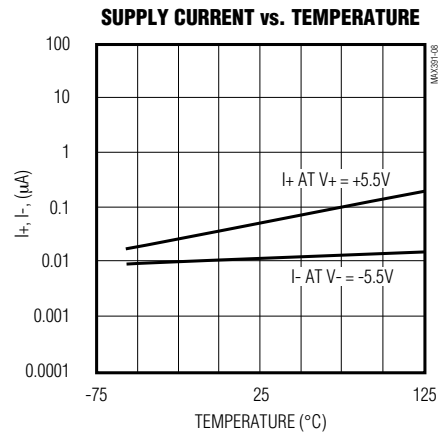
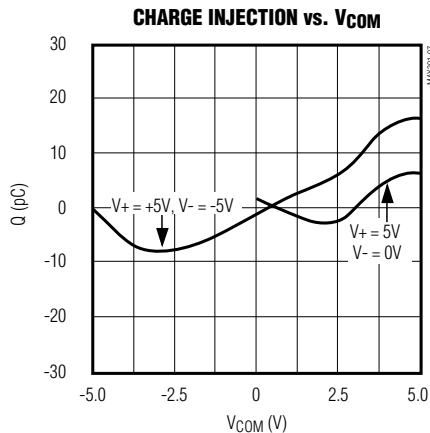
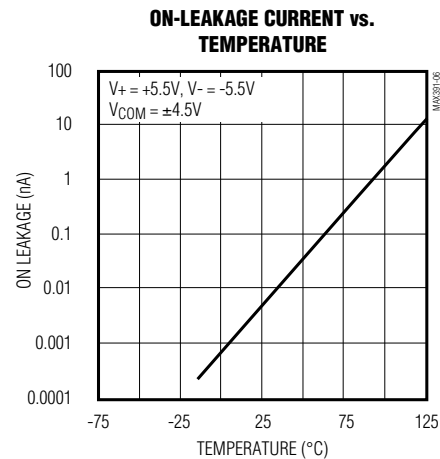
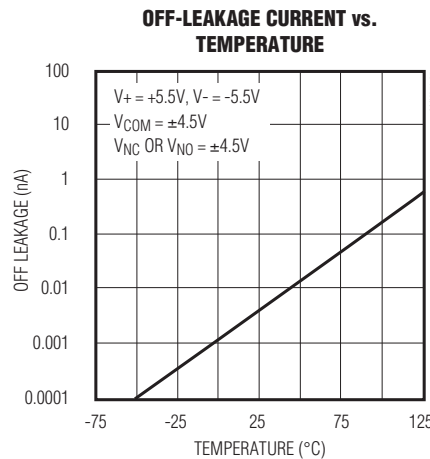
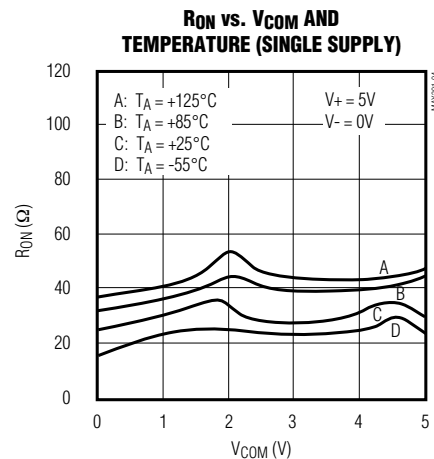
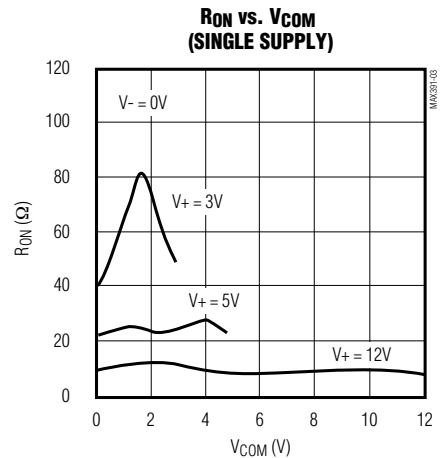
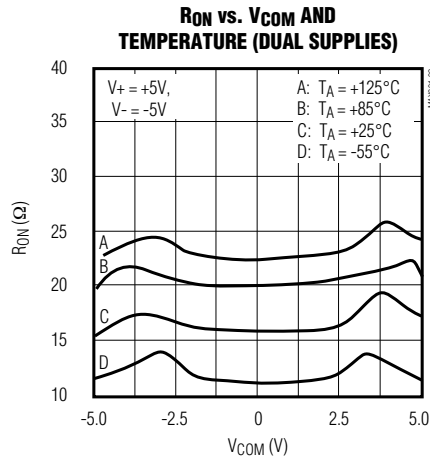
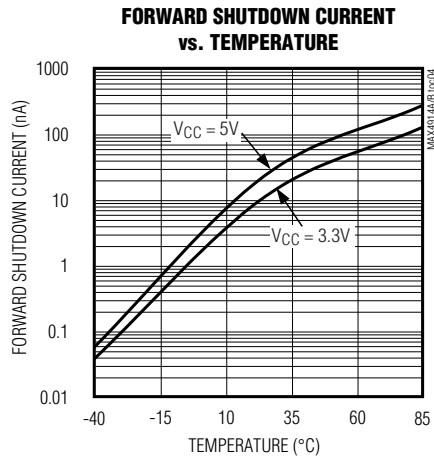
Note 9: Leakage testing at single supply is guaranteed by testing with dual singles.

MAX391/MAX392/MAX393

Precision, Quad, SPST Analog Switches

Typical Operating Characteristics

($T_A = +25^\circ\text{C}$, unless otherwise noted.)



MAX391/MAX392/MAX393

Precision, Quad, SPST Analog Switches

Pin Description

| PIN | | NAME | FUNCTION |
|--------------|--------------|--------------------------|--|
| DIP/SO/TSSOP | QFN | | |
| 1, 16, 9, 8 | 15, 14, 7, 6 | IN1–IN4 | Inputs |
| 2, 15, 10, 7 | 16, 13, 8, 5 | COM1–COM | Analog Switch Common Terminal |
| 3, 14, 11, 6 | 1, 12, 9, 4 | NO1–NO4 or NC1–NC4 | Switch Inputs |
| 4 | 2 | V- | Negative-Supply Voltage Input |
| 5 | 3 | GND | Ground |
| 12 | 10 | N.C. | No Connection. Not internally connected |
| 13 | 11 | V+ | Positive-Supply Voltage Input—connected to substrate |
| — | EP | EP | Exposed Pad. Connect to V+. |

Applications Information

Overvoltage Protection

Proper power-supply sequencing is recommended for all CMOS devices. Do not exceed the absolute maximum ratings, because stresses beyond the listed ratings may cause permanent damage to the devices. Always sequence V+ on first, followed by V-, and then logic inputs. If power-supply sequencing is not possible, add two small signal diodes in series with supply pins for overvoltage protection (Figure 1). Adding diodes reduces the analog signal range to 1V below V+ and 1V below V-, but low switch resistance and low leakage characteristics are unaffected. Device operation is unchanged, and the difference between V+ and V- should not exceed 17V.

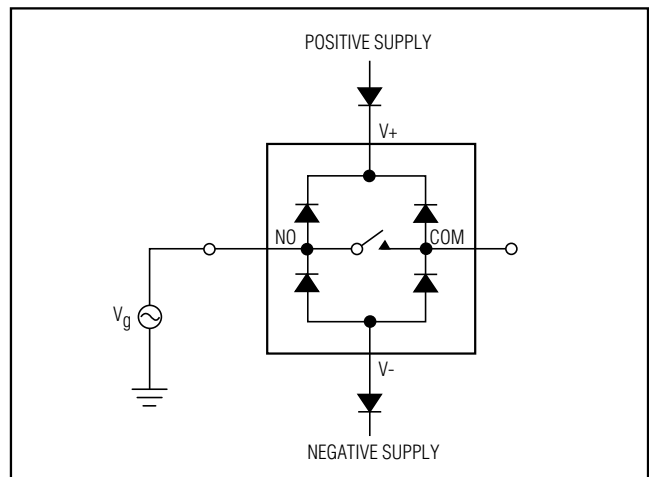


Figure 1. Overvoltage Protection Using Two External Blocking Diodes

MAX391/MAX392/MAX393

Precision, Quad, SPST Analog Switches

Test Circuits/Timing Diagrams

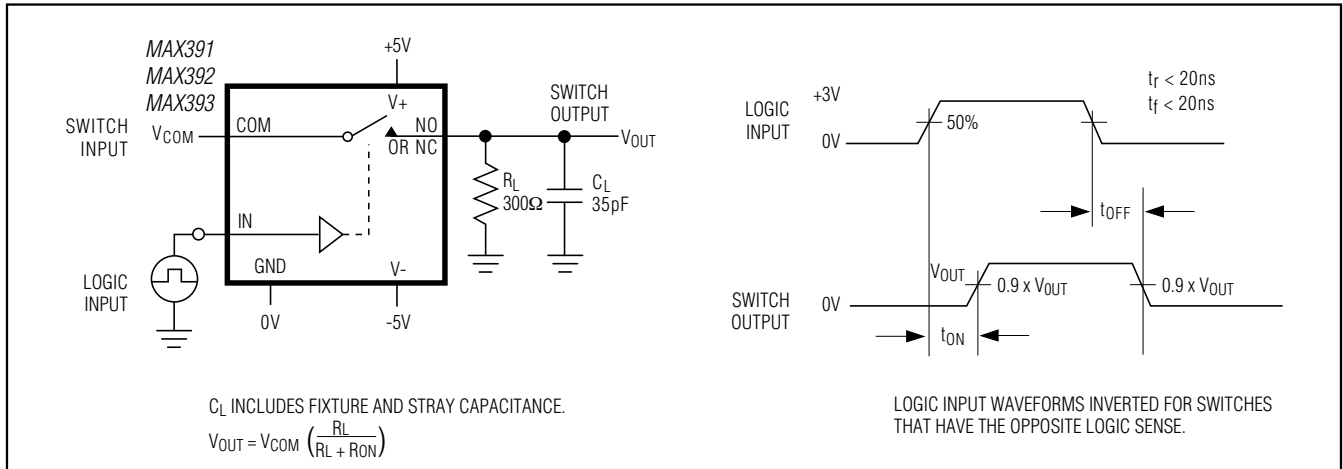


Figure 2. Switching Time

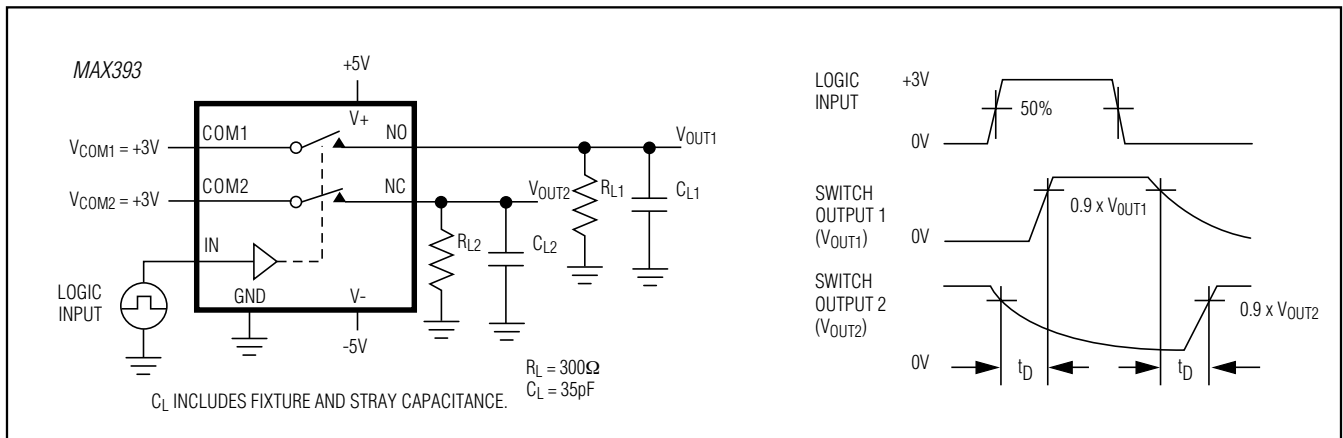


Figure 3. Break-Before-Make Interval (MAX393 only)

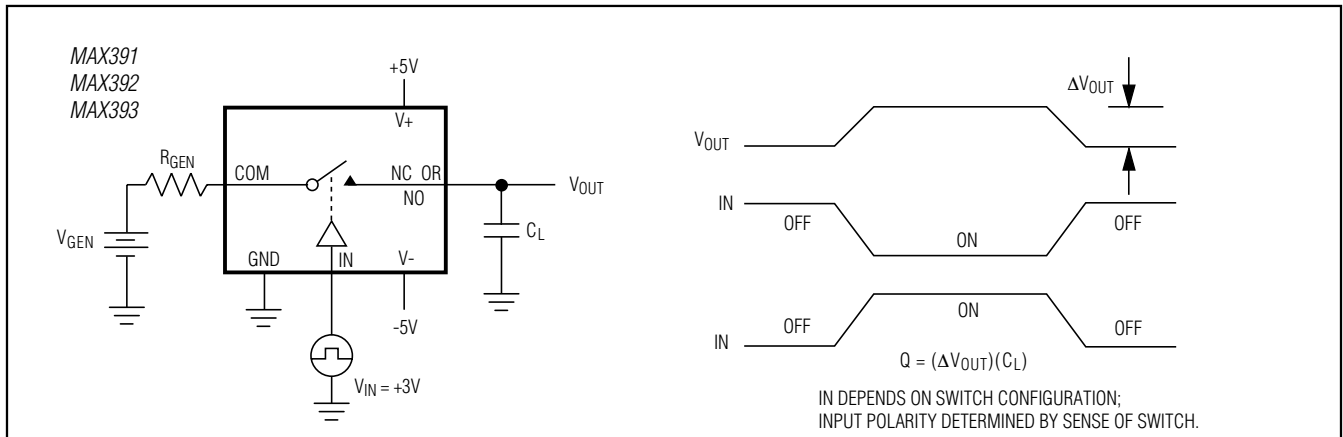


Figure 4. Charge Injection

MAX391/MAX392/MAX393

Precision, Quad, SPST Analog Switches

Test Circuits/Timing Diagrams (continued)

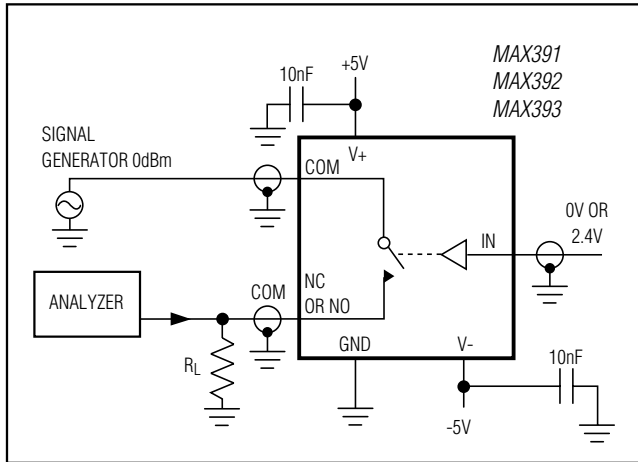


Figure 5. Off-Isolation

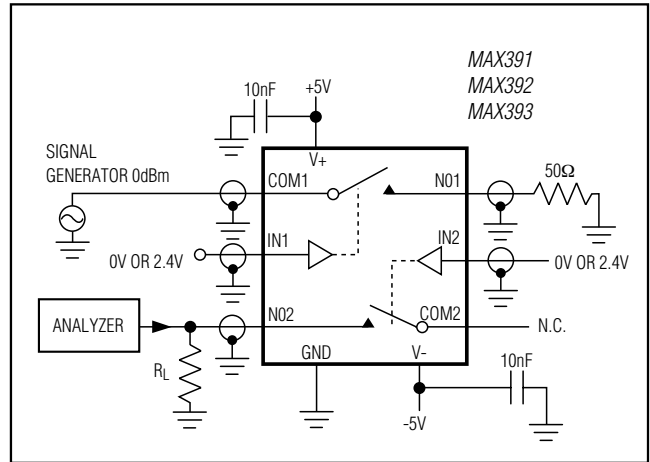


Figure 6. Crosstalk

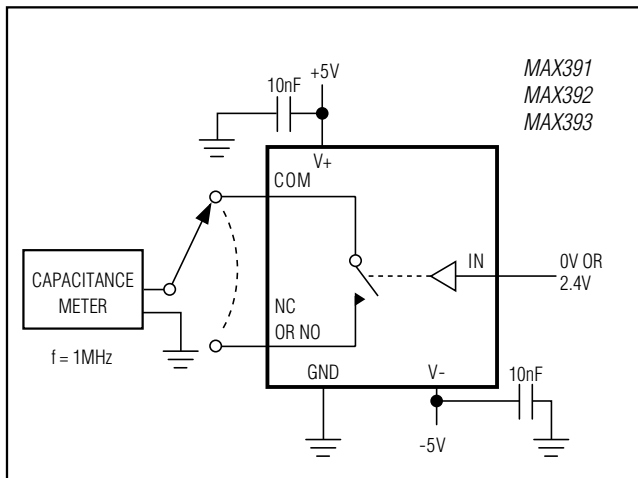


Figure 7. Channel Off-Capacitance

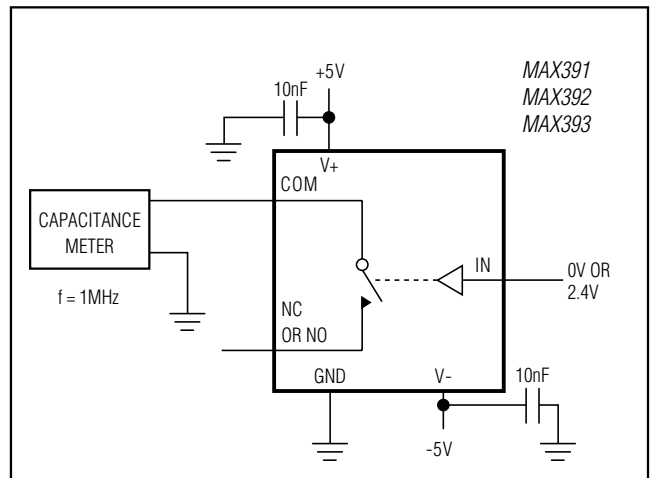


Figure 8. Channel On-Capacitance

MAX391/MAX392/MAX393

Precision, Quad, SPST Analog Switches

Ordering Information (continued)

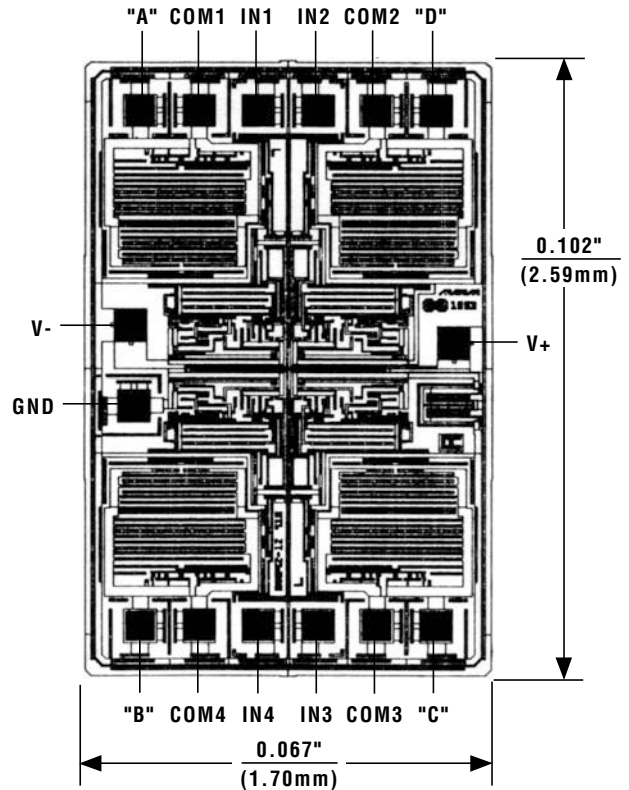
| PART | TEMP RANGE | PIN-PACKAGE | PKG CODE |
|------------------|-----------------|----------------|----------|
| MAX391ESE | -40°C to +85°C | 16 Narrow SO | S16-2 |
| MAX391EUE | -40°C to +85°C | 16 TSSOP | U16-2 |
| MAX391EGE | -40°C to +85°C | 16 QFN-EP† | G1655-3 |
| MAX391EJE | -40°C to +85°C | 16 CERDIP | J16-3 |
| MAX391MJE | -55°C to +125°C | 6 CERDIP** | — |
| MAX392CPE | 0°C to +70°C | 16 Plastic DIP | P16-1 |
| MAX392CSE | 0°C to +70°C | 16 Narrow SO | S16-2 |
| MAX392CUE | 0°C to +70°C | 16 TSSOP | U16-2 |
| MAX392CGE | 0°C to +70°C | 16 QFN-EP† | G1655-3 |
| MAX392C/D | 0°C to +70°C | Dice* | — |
| MAX392EPE | -40°C to +85°C | 16 Plastic DIP | P16-1 |
| MAX392ESE | -40°C to +85°C | 16 Narrow SO | S16-2 |
| MAX392EUE | -40°C to +85°C | 16 TSSOP | U16-2 |
| MAX392EGE | -40°C to +85°C | 16 QFN | G1655-3 |
| MAX392EJE | -40°C to +85°C | 16 CERDIP | J16-3 |
| MAX392MJE | -55°C to +125°C | 6 CERDIP** | — |
| MAX393CPE | 0°C to +70°C | 16 Plastic DIP | P16-1 |
| MAX393CSE | 0°C to +70°C | 16 Narrow SO | S16-2 |
| MAX393CUE | 0°C to +70°C | 16 TSSOP | U16-2 |
| MAX393CGE | 0°C to +70°C | 16 QFN-EP† | G1655-3 |
| MAX393C/D | 0°C to +70°C | Dice* | — |
| MAX393EPE | -40°C to +85°C | 16 Plastic DIP | P16-1 |
| MAX393ESE | -40°C to +85°C | 16 Narrow SO | S16-2 |
| MAX393EUE | -40°C to +85°C | 16 TSSOP | U16-2 |
| MAX393EGE | -40°C to +85°C | 16 QFN-EP† | G1655-3 |
| MAX393EJE | -40°C to +85°C | 16 CERDIP | J16-3 |
| MAX393MJE | -55°C to +125°C | 6 CERDIP** | — |

*Contact factory for dice specifications.

**Contact factory for availability and processing to MIL-STD-883.

†EP = Exposed pad.

Chip Topography



| MAX391 | | MAX392 | | MAX393 | |
|--------|------|--------|------|--------|------|
| PIN | NAME | PIN | NAME | PIN | NAME |
| A | NC1 | A | N01 | A | N01 |
| B | NC4 | B | N04 | B | N04 |
| C | NC3 | C | N03 | C | NC3 |
| D | NC2 | D | N02 | D | NC2 |

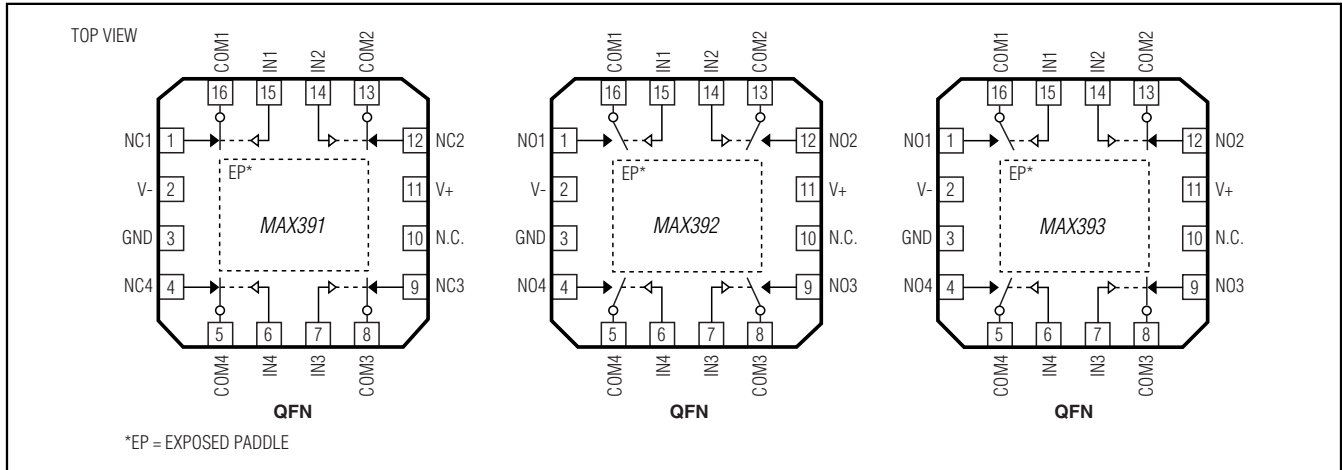
TRANSISTOR COUNT: 76

SUBSTRATE CONNECTED TO V+

MAX391/MAX392/MAX393

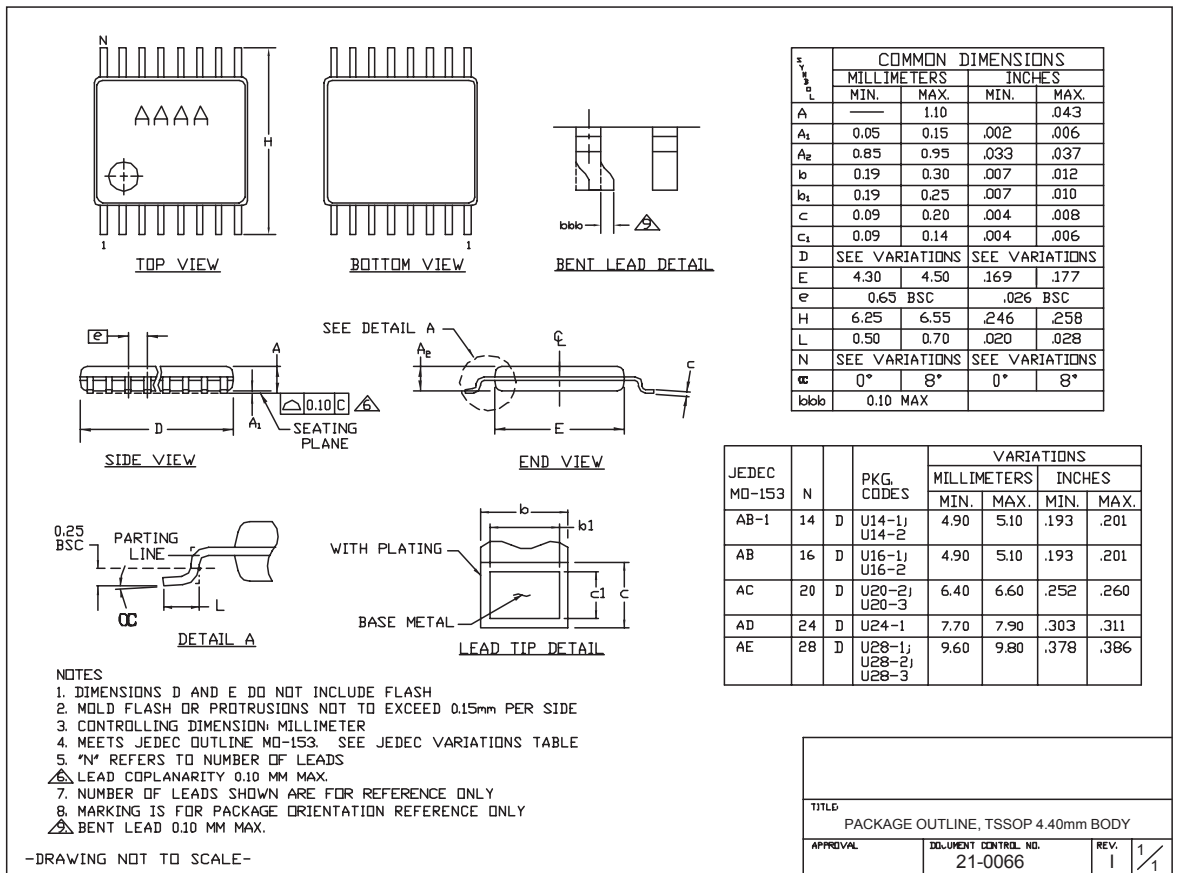
Precision, Quad, SPST Analog Switches

Pin Configurations/Functional Diagrams/Truth Tables (continued)



Package Information

(The package drawing(s) in this data sheet may not reflect the most current specifications. For the latest package outline information go to www.maxim-ic.com/packages.)

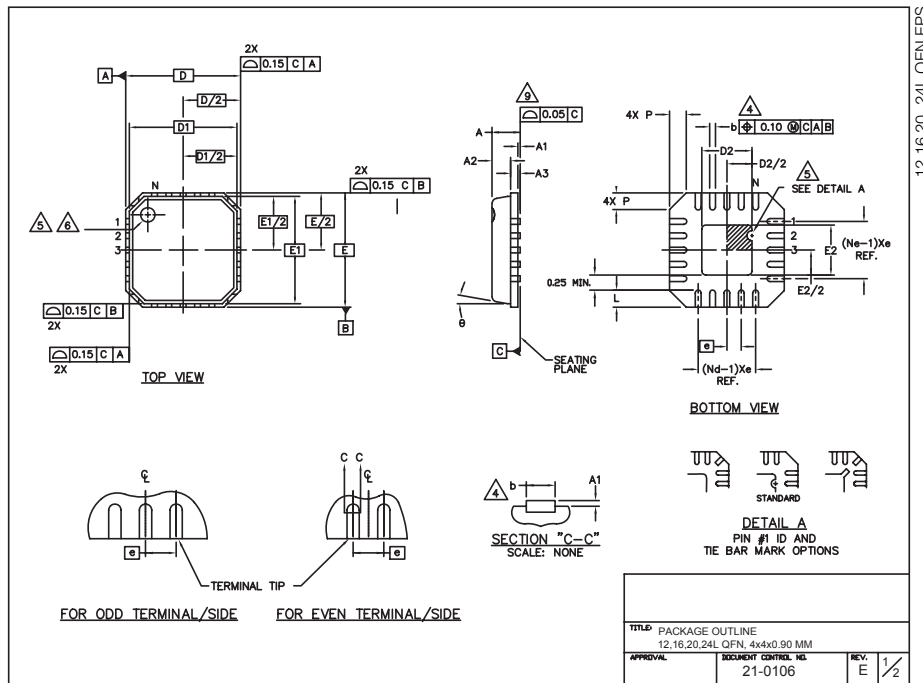


MAX391/MAX392/MAX393

Precision, Quad, SPST Analog Switches

Package Information (continued)

(The package drawing(s) in this data sheet may not reflect the most current specifications. For the latest package outline information go to www.maxim-ic.com/packages.)



12,16,20, 24L QFN/EPS

NOTES:

- DIE THICKNESS ALLOWABLE IS 0.305mm MAXIMUM (.012 INCHES MAXIMUM).
- DIMENSIONING & TOLERANCES CONFORM MUST TO ASME Y14.5M. - 1994.
- N IS THE NUMBER OF TERMINALS.
Nd IS THE NUMBER OF TERMINALS IN X-DIRECTION &
Ne IS THE NUMBER OF TERMINALS IN Y-DIRECTION.
- △ DIMENSION b APPLIES TO PLATED TERMINAL AND IS MEASURED BETWEEN 0.20 AND 0.25mm FROM TERMINAL TIP.
- △ THE PIN #1 IDENTIFIER MUST BE EXISTED ON THE TOP SURFACE OF THE PACKAGE BY USING INDENTATION MARK OR INK/LASER MARKED. DETAILS OF PIN #1 IDENTIFIER IS OPTIONAL, BUT MUST BE LOCATED WITHIN ZONE INDICATED.
- △ EXACT SHAPE AND SIZE OF THIS FEATURE IS OPTIONAL.
- ALL DIMENSIONS ARE IN MILLIMETERS.
- PACKAGE WARPAGE MAX 0.05mm.
- △ APPLIED FOR EXPOSED PAD AND TERMINALS.
EXCLUDE EMBEDDING PART OF EXPOSED PAD FROM MEASURING.
- MEETS JEDEC MO220; EXCEPT DIMENSION "b".
- THIS PACKAGE OUTLINE APPLIES TO PUNCHED QFN (STEPPED SIDES).

| S | COMMON DIMENSIONS | | | No. E |
|----|-------------------|-----------|------|-------|
| | MIN. | NOM. | MAX. | |
| A | 0.80 | 0.90 | 1.00 | |
| A1 | 0.00 | 0.01 | 0.05 | |
| A2 | 0.00 | 0.65 | 0.80 | |
| A3 | | 0.20 REF. | | |
| D | | 4.00 BSC | | |
| D1 | | 3.75 BSC | | |
| E | | 4.00 BSC | | |
| E1 | | 3.75 BSC | | |
| b | 0" | | 12" | |
| P | 0.24 | 0.42 | 0.60 | |

| S | PITCH VARIATION A | | | No. E | S | PITCH VARIATION B | | | No. E | S | PITCH VARIATION C | | | No. E | S | PITCH VARIATION D | | | No. E |
|----|-------------------|------|------|-------|---|-------------------|------|------|-------|----|-------------------|------|------|-------|------|-------------------|------|------|-------|
| | MIN. | NOM. | MAX. | | | MIN. | NOM. | MAX. | | | MIN. | NOM. | MAX. | | | MIN. | NOM. | MAX. | |
| 1 | 0.60 | 0.60 | 0.75 | 3 | 1 | 0.50 | 0.60 | 0.75 | 3 | 1 | 0.50 | 0.60 | 0.75 | 1 | 0.30 | 0.40 | 0.50 | 3 | |
| N | 12 | 3 | N | 3 | N | 16 | 3 | N | 3 | N | 20 | 3 | N | 24 | 3 | 24 | 3 | 3 | |
| Nd | 3 | 3 | Nd | 4 | 3 | 4 | 3 | Nd | 3 | Nd | 5 | 3 | Nd | 6 | 3 | 6 | 3 | 3 | |
| Ne | 3 | 3 | Ne | 4 | 3 | 4 | 3 | Ne | 3 | Ne | 5 | 3 | Ne | 6 | 3 | 6 | 3 | 3 | |
| L | 0.50 | 0.60 | 0.75 | 11 | L | 0.50 | 0.60 | 0.75 | 11 | L | 0.50 | 0.60 | 0.75 | 11 | 0.30 | 0.40 | 0.50 | 3 | |
| b | 0.28 | 0.33 | 0.40 | 4 | b | 0.23 | 0.28 | 0.35 | 4 | b | 0.18 | 0.3 | 0.30 | 4 | b | 0.18 | 0.23 | 0.30 | 4 |

| PKG. CODE | D2 | | | E2 | | |
|-----------|------|------|------|------|------|------|
| | MIN. | NOM. | MAX. | MIN. | NOM. | MAX. |
| G1244-2 | 1.95 | 2.10 | 2.25 | 1.95 | 2.10 | 2.25 |
| G1644-1 | 1.95 | 2.10 | 2.25 | 1.95 | 2.10 | 2.25 |
| G2044-3 | 1.95 | 2.10 | 2.25 | 1.95 | 2.10 | 2.25 |
| G2044-4 | 1.55 | 1.70 | 1.85 | 1.55 | 1.70 | 1.85 |
| G2444-1 | 1.95 | 2.10 | 2.25 | 1.95 | 2.10 | 2.25 |

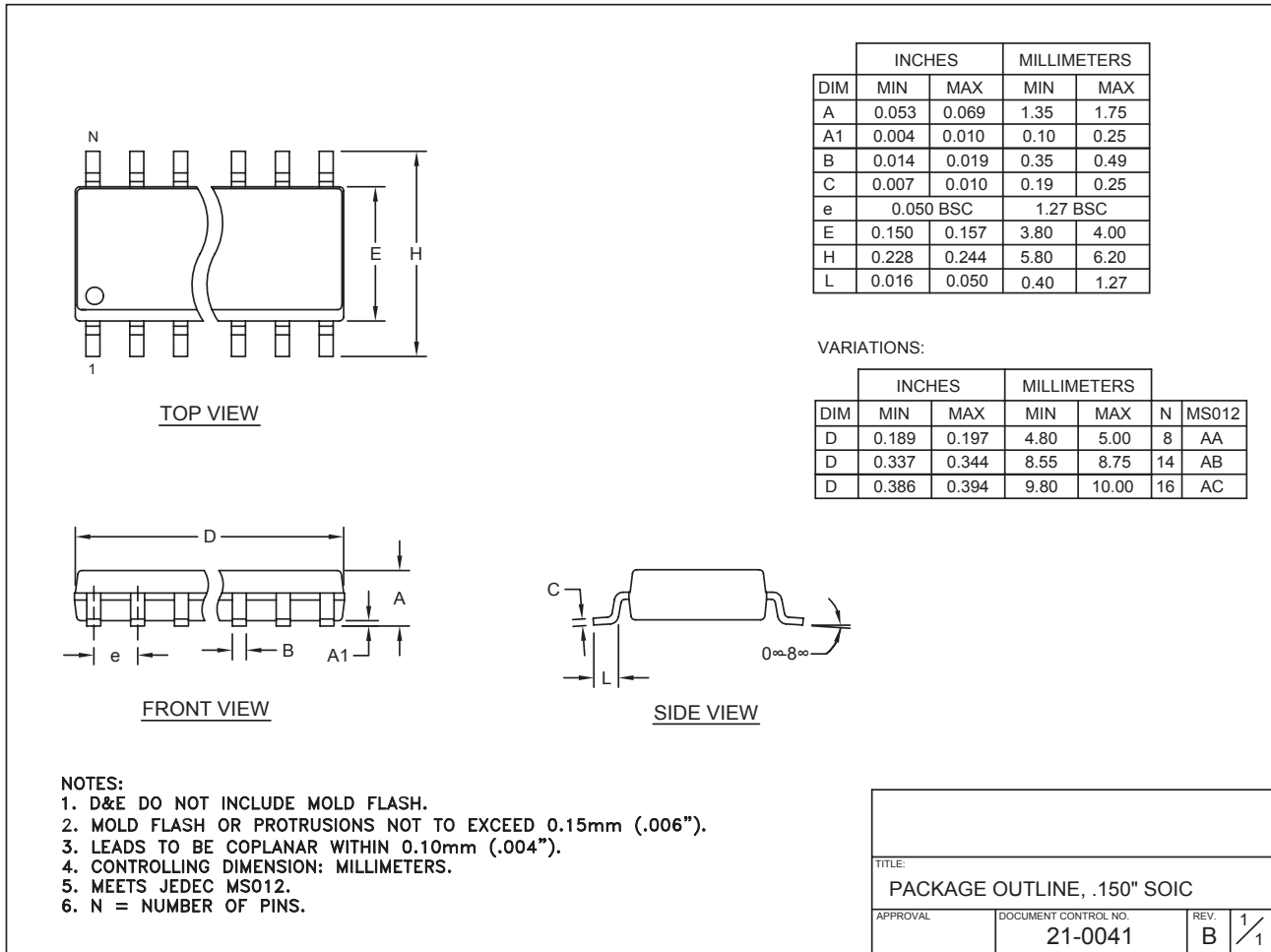
| | | | |
|-------------------------------|-----------------------|------|-----|
| TITLE PACKAGE OUTLINE | | | |
| 12,16,20,24L QFN, 4x4x0.90 MM | | | |
| APPROVAL | DOCUMENT CONTROL, NO. | REV. | 2/2 |
| | 21-0106 | E | |

MAX391/MAX392/MAX393

Precision, Quad, SPST Analog Switches

Package Information (continued)

(The package drawing(s) in this data sheet may not reflect the most current specifications. For the latest package outline information go to www.maxim-ic.com/packages.)



Revision History

Pages changed at Rev 3: 1-11, 13





Maxim cannot assume responsibility for use of any circuitry other than circuitry entirely embodied in a Maxim product. No circuit patent licenses are implied. Maxim reserves the right to change the circuitry and specifications without notice at any time. The parametric values (min and max limits) shown in the Electrical Characteristics table are guaranteed. Other parametric values quoted in this data sheet are provided for guidance.

Maxim Integrated 160 Rio Robles, San Jose, CA 95134 USA 1-408-601-1000

Looking for pricing, stock, or lifecycle information?

Click below to explore more details on WIN SOURCE:

-  [View MAX391ESE+ on WIN SOURCE](#)
-  [Maxim Integrated Information](#)

Optimize Your Supply Chain with WIN SOURCE Solutions

-  Global Sourcing Solution
-  Obsolete Management
-  Cost Control Management
-  Shortage Management
-  Alternative Solution
-  Excess Inventory Management