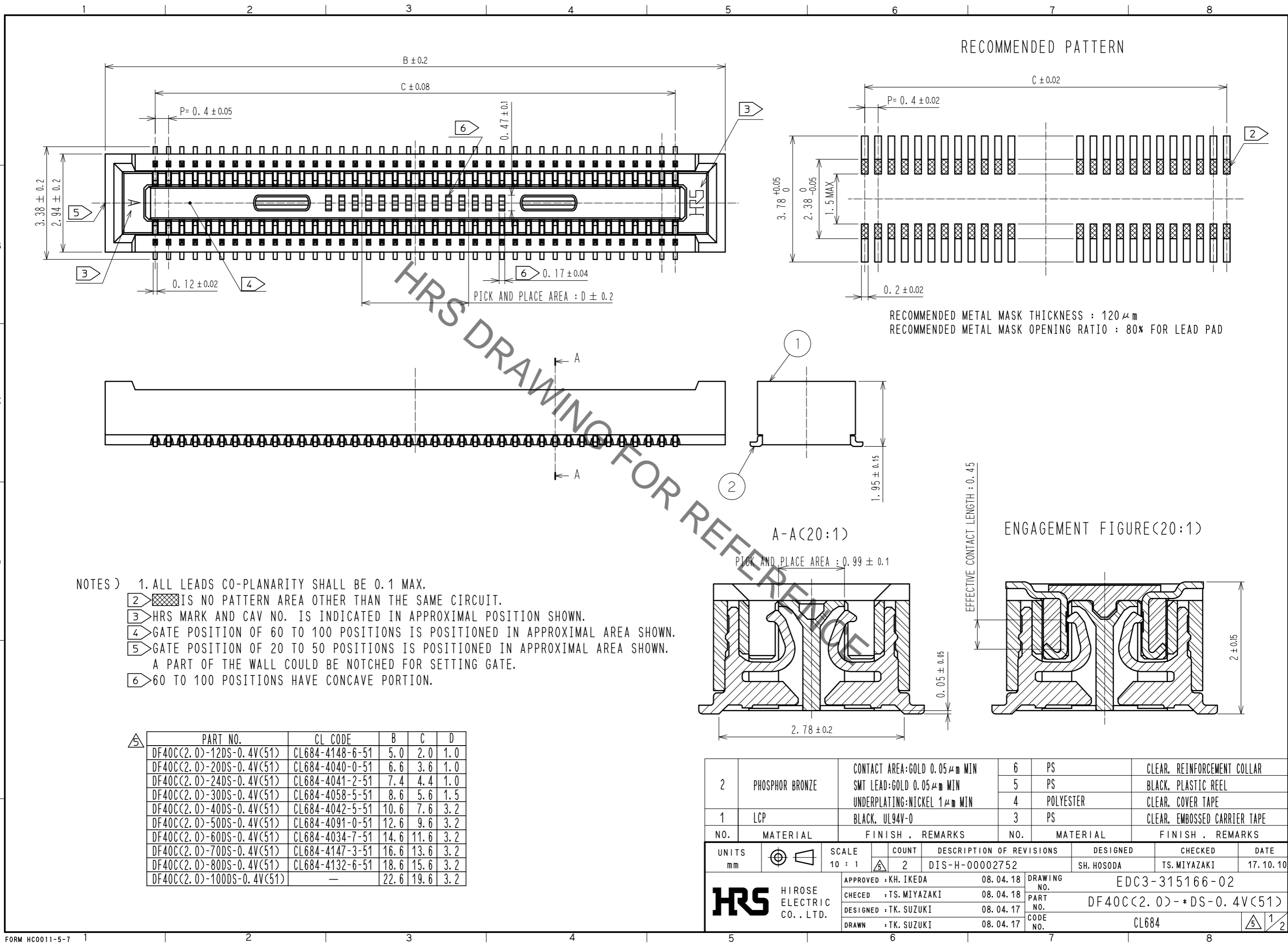




**THE DATASHEET OF  
DF40C(2.0)-30DS-0.4V(51)**



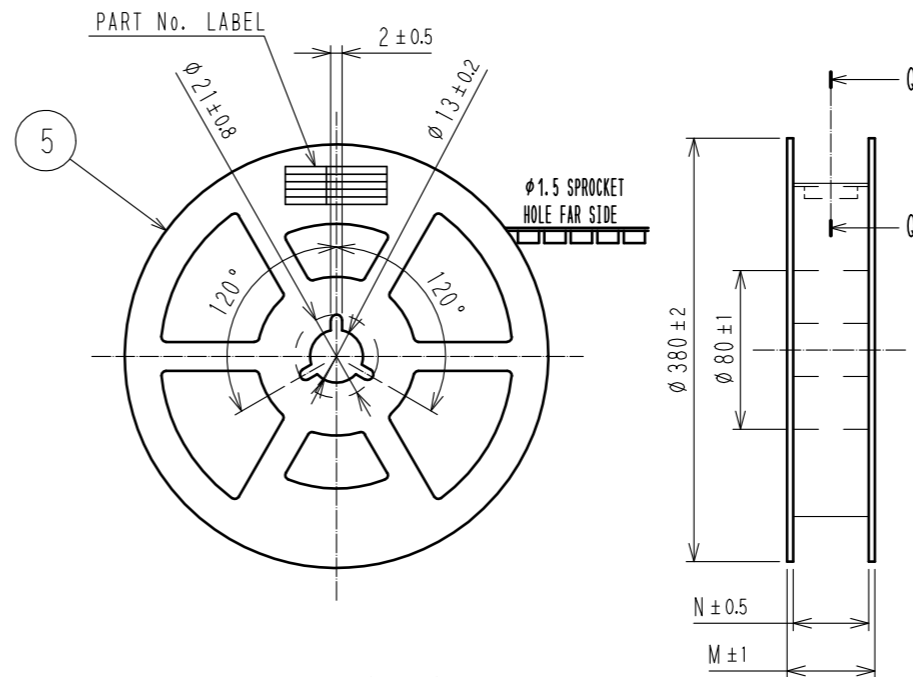
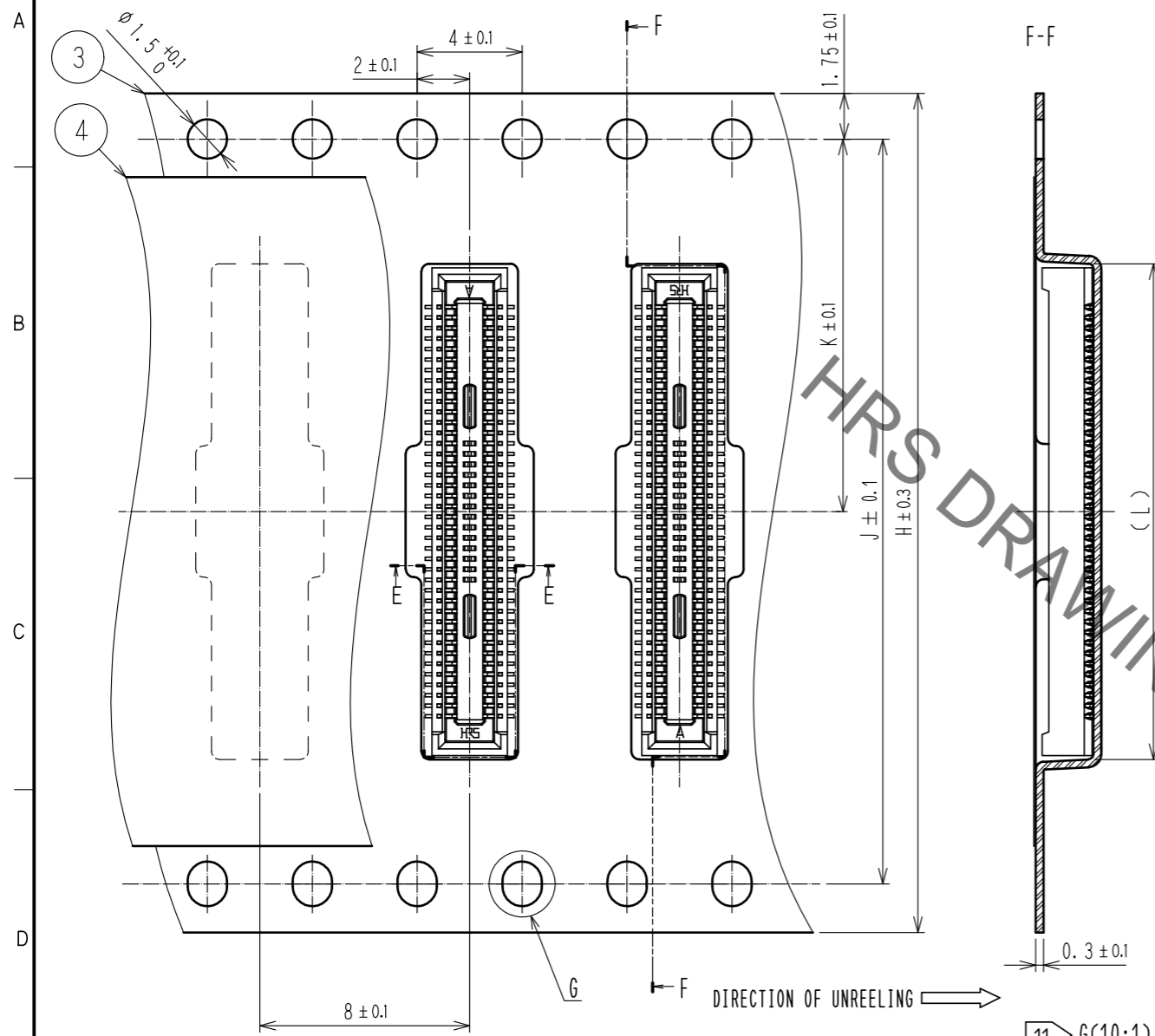
Aug.1.2019 Copyright 2019 HIROSE ELECTRIC CO., LTD. All Rights Reserved.  
In case of consideration for using Automotive equipment / device which demand high reliability, kindly contact our sales window correspondents.



Aug.1.2019 Copyright 2019 HIROSE ELECTRIC CO., LTD. All Rights Reserved.  
In case of consideration for using Automotive equipment / device which demand high reliability, kindly contact our sales window correspondents.

# EMBOSSED CARRIER TAPE PACKAGING(5:1)

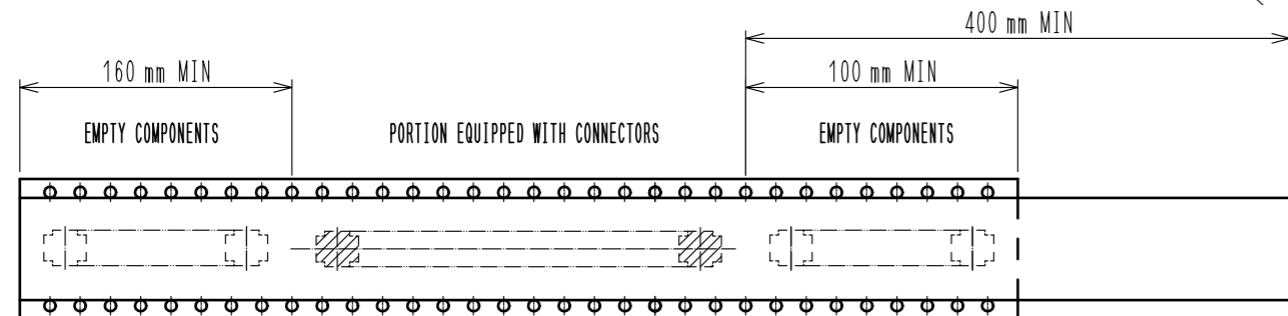
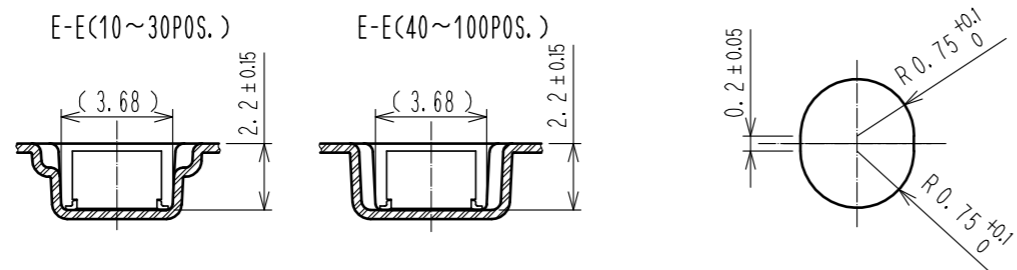
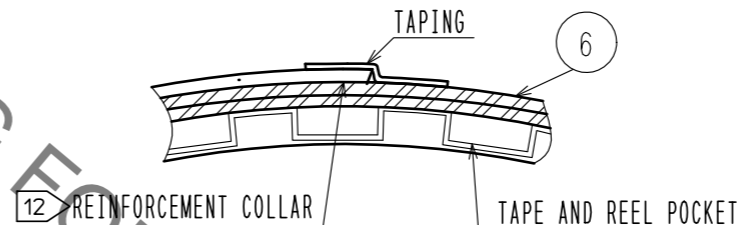
# STYLE AND DIMENSION OF REEL(FREE SIZE)



10 DETAIL OF PART No. LABEL

|       |                         |
|-------|-------------------------|
| 製造年月日 | ** ** *                 |
| 製品コード | CL684-****-51           |
| 製品名   | DF40C(2.0)-*DS-0.4V(51) |
| 数量    | 4000                    |
| 納入者   | ヒロセ電機(株)                |

| PART NO.                  | H  | J    | K    | L    | M    | N    |
|---------------------------|----|------|------|------|------|------|
| DF40C(2.0)-12DS-0.4V(51)  | 16 | —    | 7.5  | 5.3  | 21.5 | 17.5 |
| DF40C(2.0)-20DS-0.4V(51)  | 16 | —    | 7.5  | 6.9  | 21.5 | 17.5 |
| DF40C(2.0)-24DS-0.4V(51)  | 16 | —    | 7.5  | 7.7  | 21.5 | 17.5 |
| DF40C(2.0)-30DS-0.4V(51)  | 24 | —    | 11.5 | 8.9  | 29.5 | 25.5 |
| DF40C(2.0)-40DS-0.4V(51)  | 24 | —    | 11.5 | 10.9 | 29.5 | 25.5 |
| DF40C(2.0)-50DS-0.4V(51)  | 24 | —    | 11.5 | 12.9 | 29.5 | 25.5 |
| DF40C(2.0)-60DS-0.4V(51)  | 24 | —    | 11.5 | 14.9 | 29.5 | 25.5 |
| DF40C(2.0)-70DS-0.4V(51)  | 32 | 28.4 | 14.2 | 16.9 | 37.5 | 33.5 |
| DF40C(2.0)-80DS-0.4V(51)  | 32 | 28.4 | 14.2 | 18.9 | 37.5 | 33.5 |
| DF40C(2.0)-100DS-0.4V(51) | 44 | 40.4 | 20.2 | 22.9 | 49.5 | 45.5 |



NOTES

8 PER REEL 4000 CONNECTORS.

9 THE DIMENSIONS IN PARENTHESES ARE FOR REFERENCE.

10 REFER TO JIS C 0806(PACKING OF COMPONENTS FOR AUTOMATIC HANDLING)

DETAIL OF PART No. LABEL IS WRITTEN IN JAPANESE.

PART No. LABEL DESCRIBES THE FOLLOWING INFORMATION FROM TOP.

PRODUCTION DATE:

PRODUCT CODE: CL684-\*\*\*\*-51

PART NUMBER: DF40C(2.0)-\*DS-0.4V(51)

NUMBER OF PIECES: 4000 PIECES

SUPPLIER NAME: HIROSE ELECTRIC CO., LTD.

11 20 TO 60 POSITIONS EMBOSSED CARRIER TAPE HAS THE SPROCKET HOLE ON ONE SIDES.

12 AFTER PACKAGING, ROLL 2 METERS OF THE REINFORCEMENT COLLAR TO OUTER CIRCUMFERENCE OF TAPE AND REEL POCKET, AND TAPE DOWN AT THE END THE COLLAR.

|            |             |                         |
|------------|-------------|-------------------------|
| <b>HRS</b> | DRAWING NO. | EDC3-315166-02          |
|            | PART NO.    | DF40C(2.0)-*DS-0.4V(51) |
|            | CODE NO.    | CL684                   |

## Looking for pricing, stock, or lifecycle information?

Click below to explore more details on WIN SOURCE:

- ⊖ [View DF40C\(2.0\)-30DS-0.4V\(51\) on WIN SOURCE](#)
- ⊖ [Hirose Electric Co Ltd Information](#)

## Optimize Your Supply Chain with WIN SOURCE Solutions

- ✓ Global Sourcing Solution
- ✓ Obsolete Management
- ✓ Cost Control Management
- ✓ Shortage Management
- ✓ Alternative Solution
- ✓ Excess Inventory Management