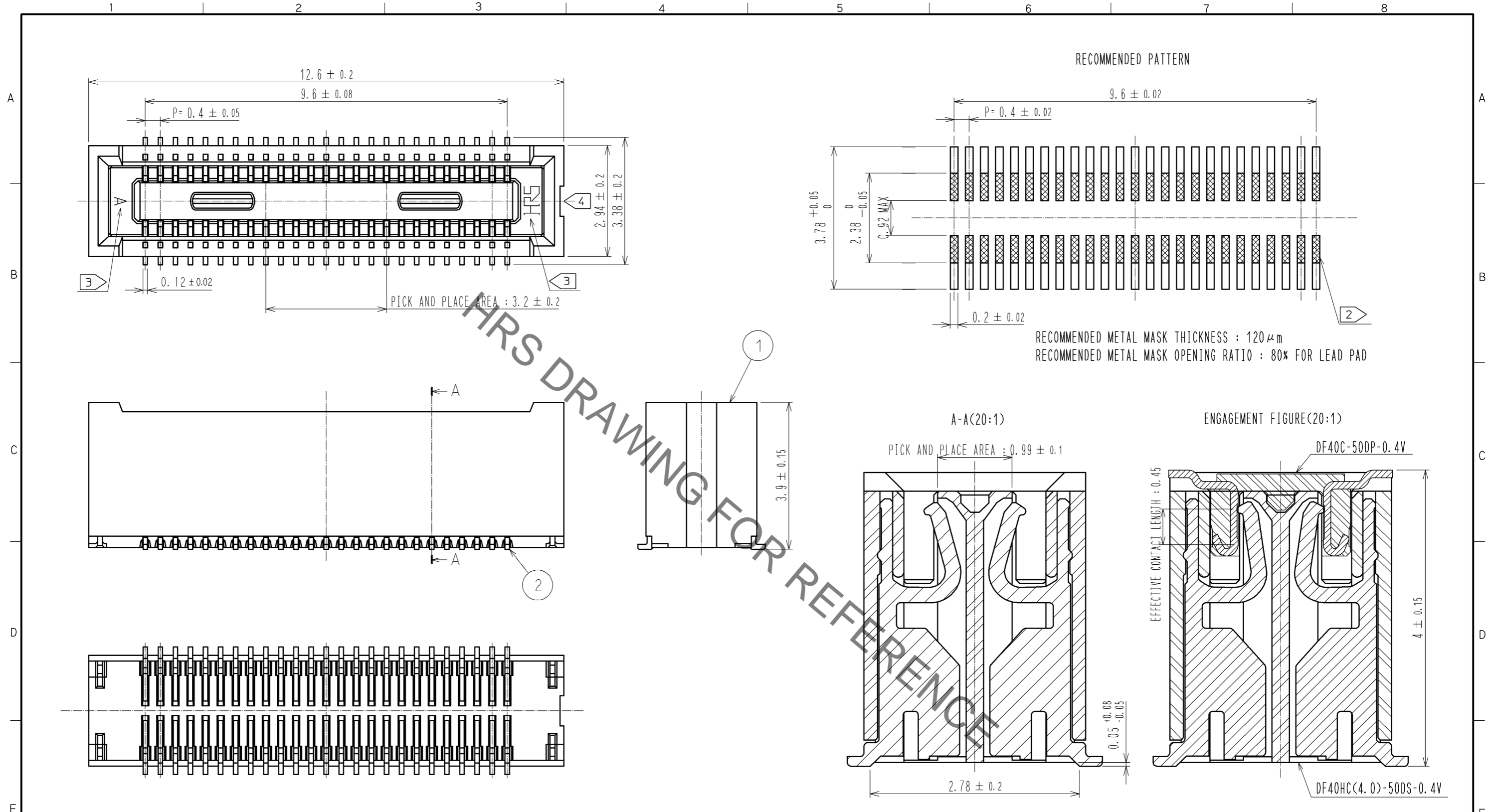




**THE DATASHEET OF
DF40HC(4.0)-50DS-0.4V(51)**



Sep.1.2019 Copyright 2019 HIROSE ELECTRIC CO., LTD. All Rights Reserved.
In case of consideration for using Automotive equipment / device which demand high reliability, kindly contact our sales window correspondents.

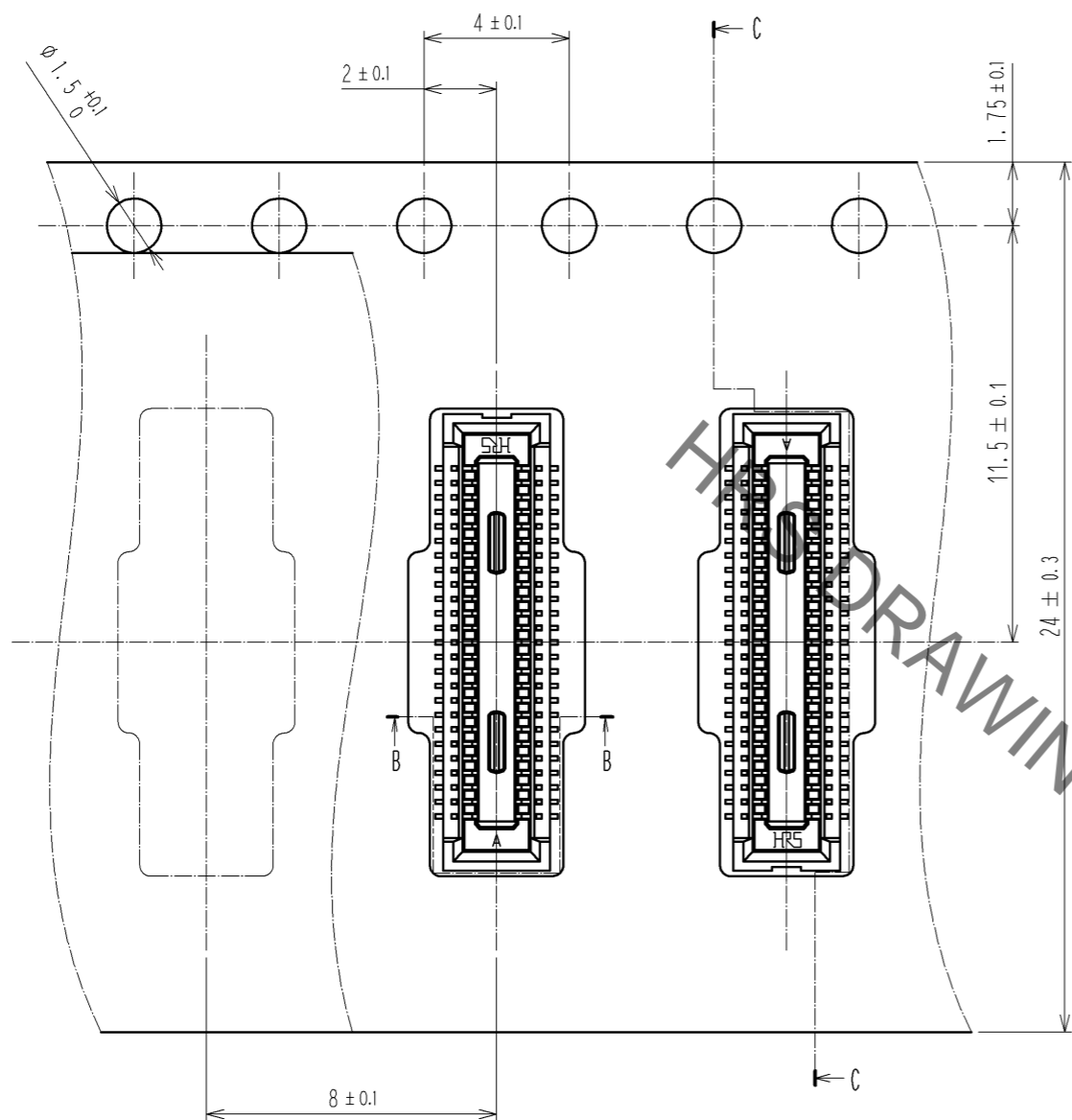


NOTE 1. ALL LEADS CO-PLANARITY SHALL BE 0.1 MAX.
 ② IS NO PATTERN AREA OTHER THAN THE SAME CIRCUIT.
 ③ HRS MARK AND CAV NO. IS INDICATED IN AROUND POSITION SHOWN.
 ④ GATE POSITION IS POSITIONED IN AROUND POSITION SHOWN.

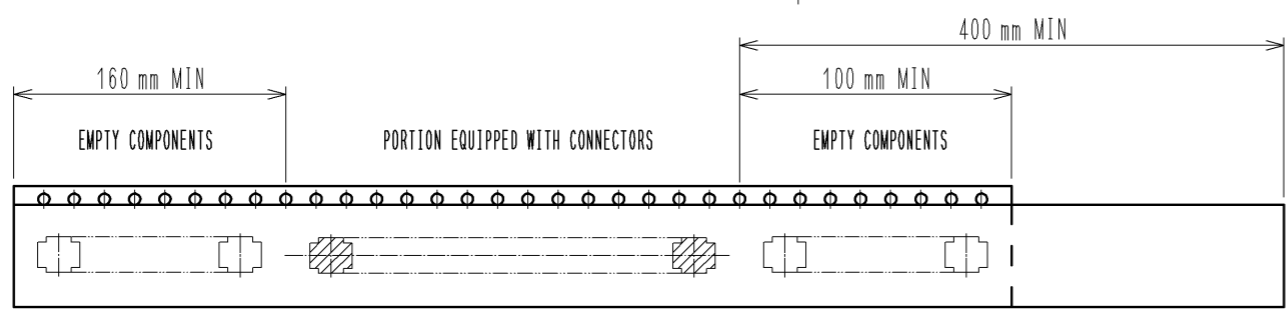
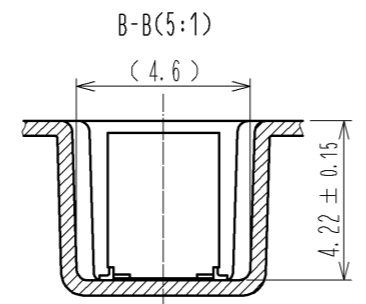
| 2 | PHOSPHOR BRONZE | CONTACT AREA:GOLD 0.05 μm MIN | 6 | PS | CLEAR, REINFORCEMENT COLLAR | | | |
|--------------------------------------|-----------------|-------------------------------|----------|------------------------------------|------------------------------|----------|---------|------|
| | | SMT LEAD:GOLD 0.05 μm MIN | 5 | PS | BLACK | | | |
| | | UNDERPLATING:NICKEL 1 μm MIN | 4 | POLYESTER | CLEAR, COVER TAPE | | | |
| 1 | LCP | BLACK, UL94V-0 | 3 | PS | CLEAR, EMBOSSED CARRIER TAPE | | | |
| NO. | MATERIAL | FINISH . REMARKS | NO. | MATERIAL | FINISH . REMARKS | | | |
| UNITS | mm | SCALE | 10 : 1 | COUNT | DESCRIPTION OF REVISIONS | DESIGNED | CHECKED | DATE |
| HRS HIROSE ELECTRIC CO., LTD. | | APPROVED : KH. IKEDA | 14.04.02 | DRAWING NO. EDC3-355791-01 | | | | |
| | | CHECED : TS. MIYAZAKI | 14.04.02 | PART NO. DF40HC(4.0)-50DS-0.4V(51) | | | | |
| | | DESIGNED : RT. SHIMIZU | 14.04.01 | CODE NO. CL684-4215-1-51 | | | | |
| | | DRAWN : TH. YASUI | 14.04.01 | | | | | |

Sep.1.2019 Copyright 2019 HIROSE ELECTRIC CO., LTD. All Rights Reserved.
In case of consideration for using Automotive equipment / device which demand high reliability, kindly contact our sales window correspondents.

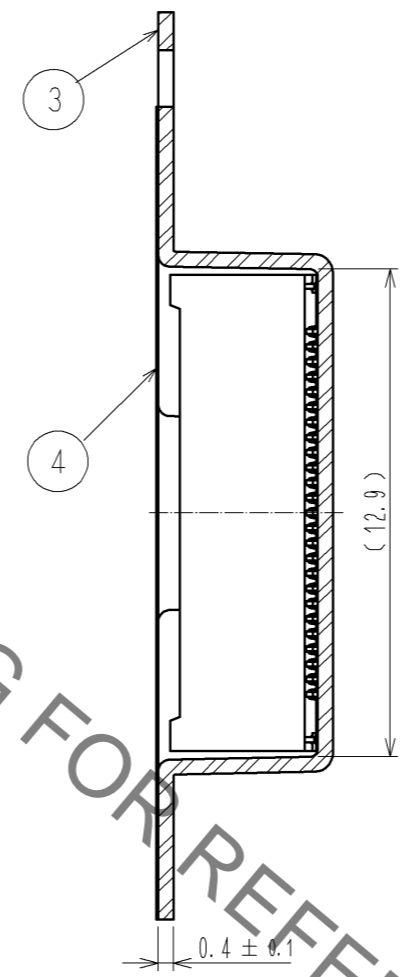
EMBOSSED CARRIER TAPE PACKAGING (5:1)



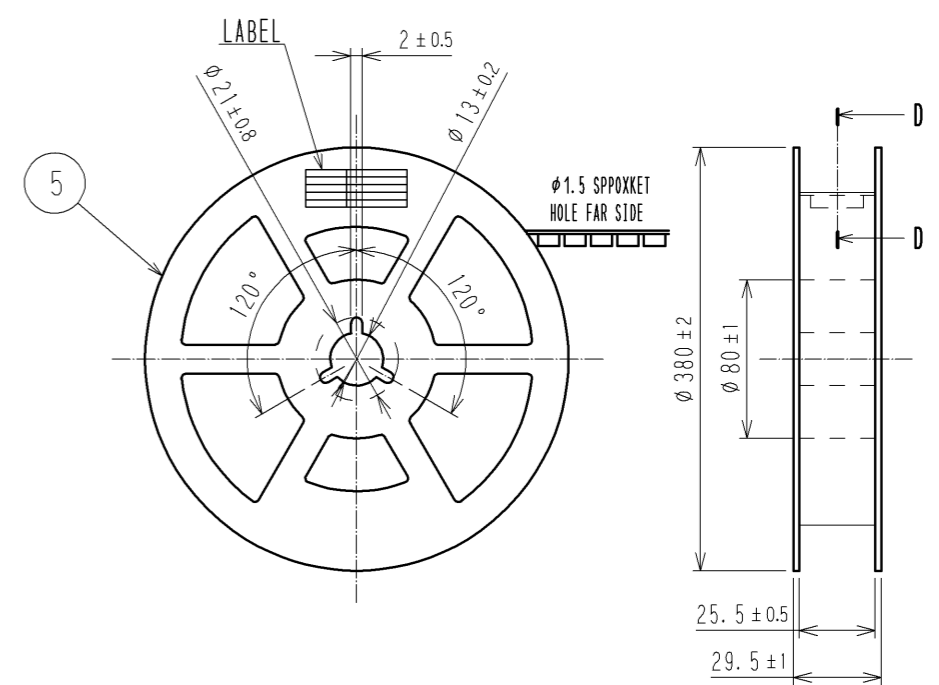
DIRECTION OF UNREELING →



C-C (5:1)



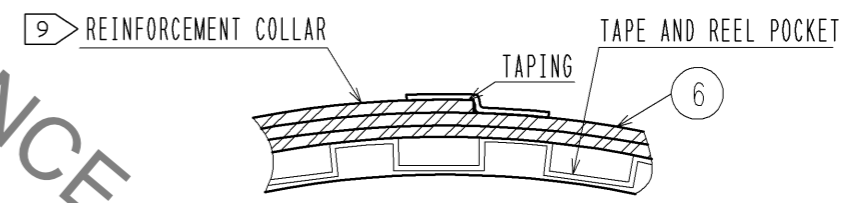
STYLE AND DIMENSION OF REEL (FREE SIZE)



8 > DETAIL OF PART NO. LABEL

| | |
|-------|---------------------------|
| 製造年月日 | ** ** * |
| 製品コード | CL684-4215-1-51 |
| 製品名 | DF40HC(4.0)-50DS-0.4V(51) |
| 数量 | 2000 |
| 納入者 | ヒロセ電機(株) |

D-D (FREE)



- NOTES)
- PER REEL 2000 CONNECTORS.
 - THE DIMENSIONS IN PARENTHESES ARE FOR REFERENCE.
 - REFER TO JIS C 0806(IEC 60286-3)(PACKING OF COMPONENTS FOR AUTOMATIC HANDLING)
 - DETAIL OF PART NO. LABEL IS WRITTEN IN JAPANESE.
PRODUCTION DATE:
PRODUCT CODE: CL684-4215-1-51
PART NUMBER: DF40HC(4.0)-50DS-0.4V(51)
NUMBER OF PIECES: 2000 PIECES
SUPPLIER NAME: HIROSE ELECTRIC CO., LTD.
 - AFTER PACKAGING, ROLL 2 METERS OF THE REINFORCEMENT COLLAR TO OUTER CIRCUMFERENCE OF TAPE AND REEL POCKET, AND TAPE DOWN AT THE END THE COLLAR.

| | | | |
|------------|-------------|---------------------------|-------|
| HRS | DRAWING NO. | EDC3-355791-01 | |
| | PART NO. | DF40HC(4.0)-50DS-0.4V(51) | |
| | CODE NO. | CL684-4215-1-51 | △ 2/2 |
| | | | |

Looking for pricing, stock, or lifecycle information?

Click below to explore more details on WIN SOURCE:

- ⊖ [View DF40HC\(4.0\)-50DS-0.4V\(51\) on WIN SOURCE](#)
- ⊖ [Hirose Electric Co Ltd Information](#)

Optimize Your Supply Chain with WIN SOURCE Solutions

- ✓ Global Sourcing Solution
- ✓ Obsolete Management
- ✓ Cost Control Management
- ✓ Shortage Management
- ✓ Alternative Solution
- ✓ Excess Inventory Management