



**THE DATASHEET OF
JB-3955-KO**



PART NAME

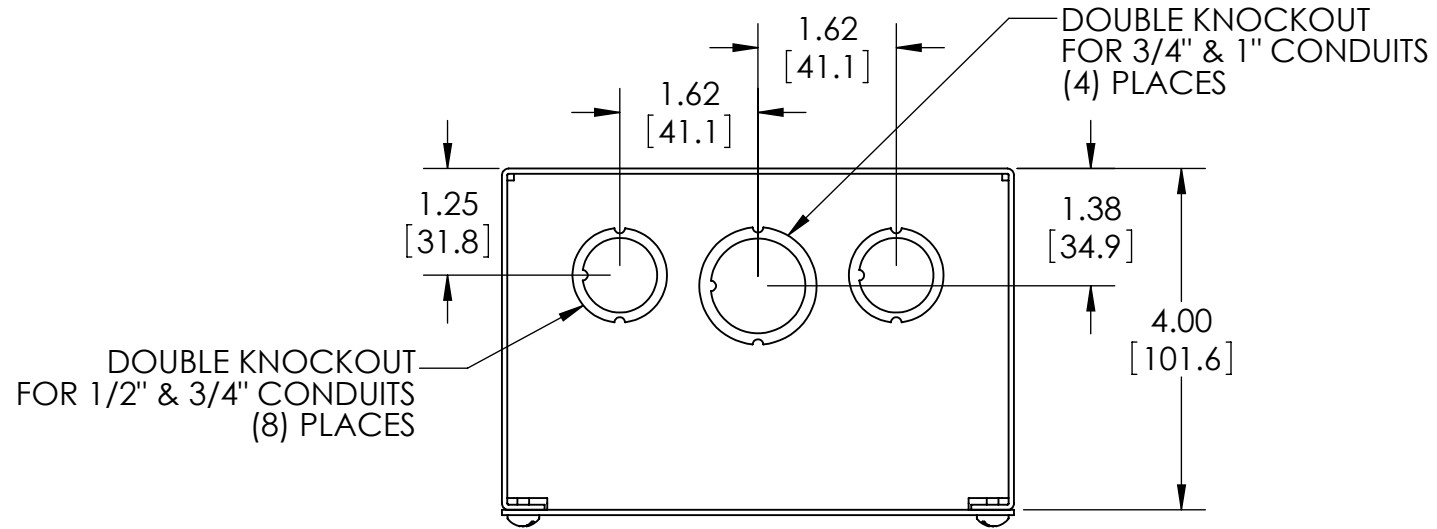
JUNCTION BOX w / KNOCKOUTS

PART No.

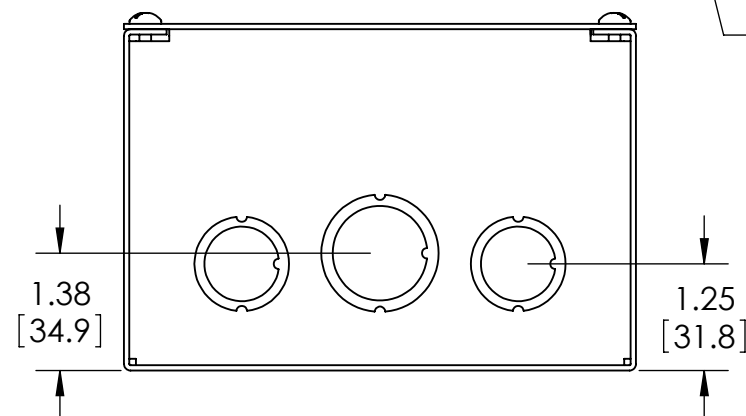
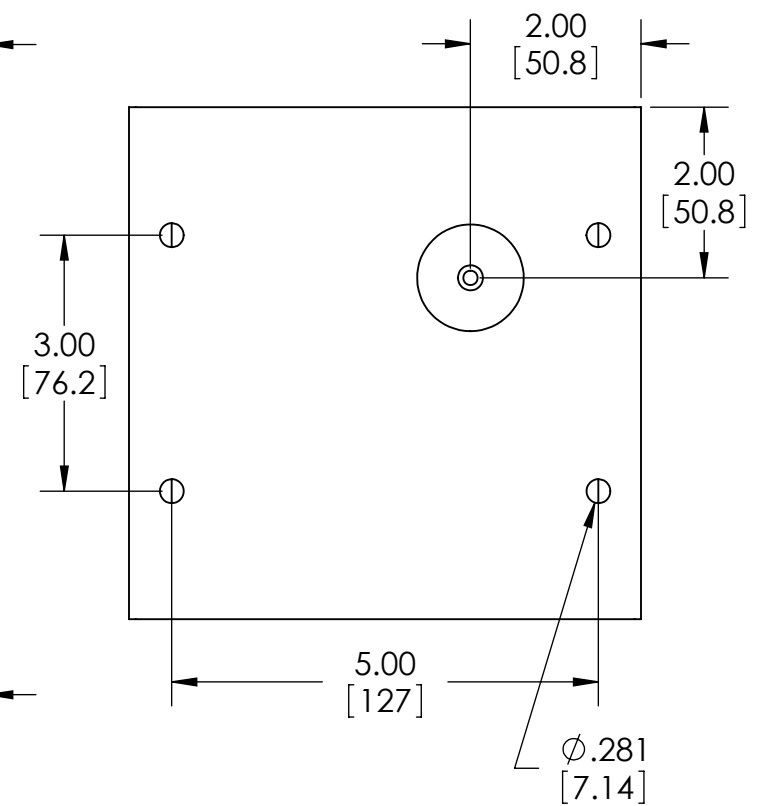
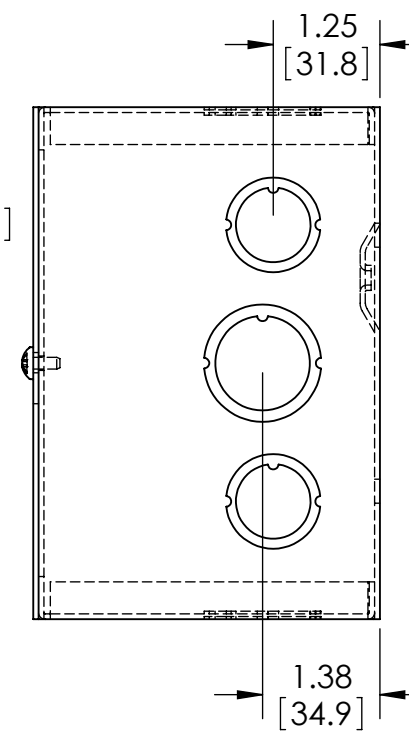
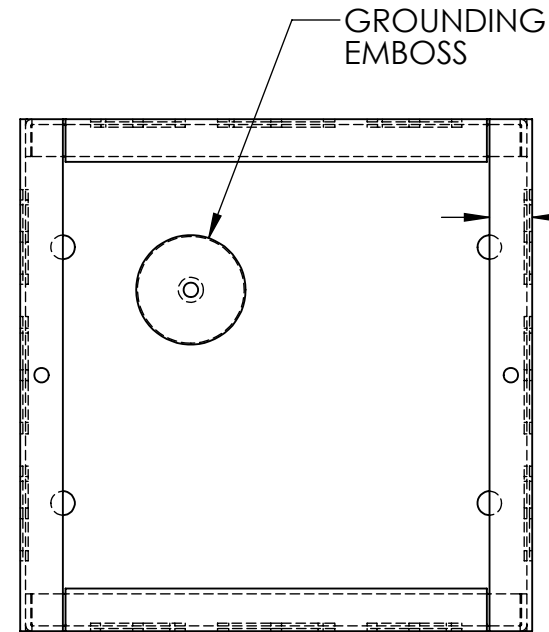
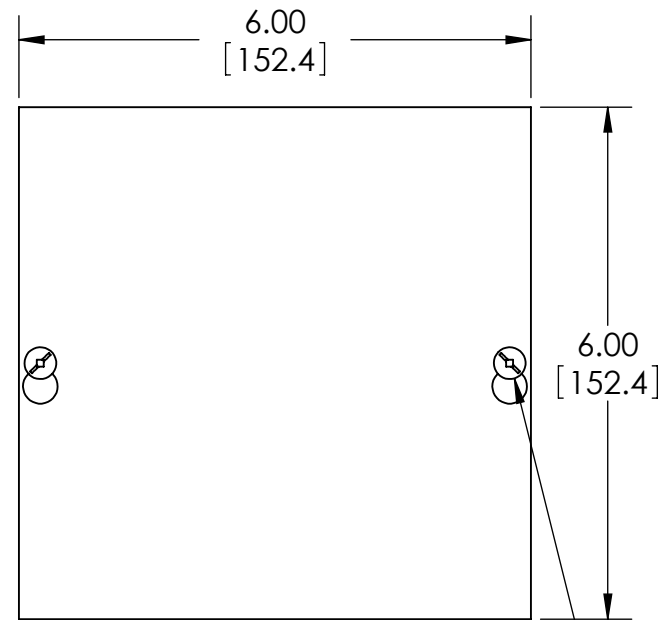
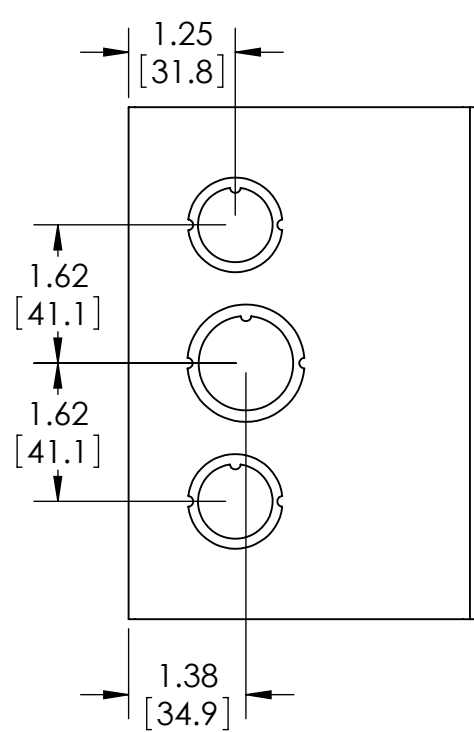
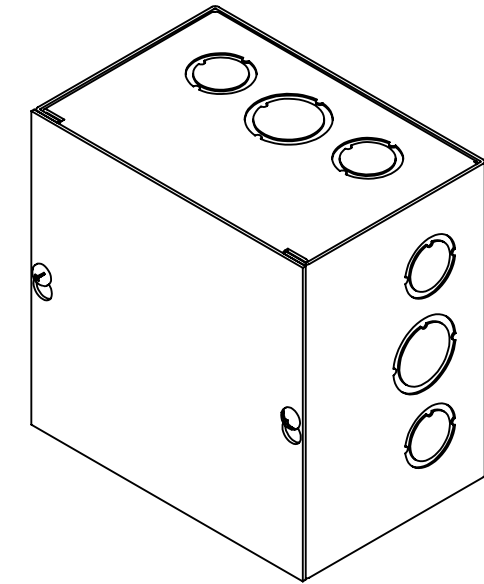
JB-3955-KO

REVISION DATE

7-18-11



MATERIAL - 16 GA. [1.5mm] STEEL
 FINISH - SMOOTH GRAY POWDERCOAT



SCREWS: #10-32 x .31" [8mm] LG. MACHINE, PAN HEAD, SLOTTED/SQUARE COMBINATION STYLE DRIVE, STEEL, ZINC PLATED. (SUPPLIED FOR COVER MOUNTING AND FOR GROUND POINT).

Looking for pricing, stock, or lifecycle information?

Click below to explore more details on WIN SOURCE:

[View JB-3955-KO on WIN SOURCE](#)

[Bud Industries Information](#)

Optimize Your Supply Chain with WIN SOURCE Solutions

- ✓ Global Sourcing Solution
- ✓ Obsolete Management
- ✓ Cost Control Management
- ✓ Shortage Management
- ✓ Alternative Solution
- ✓ Excess Inventory Management