



**THE DATASHEET OF  
TLV5620CDRG4**

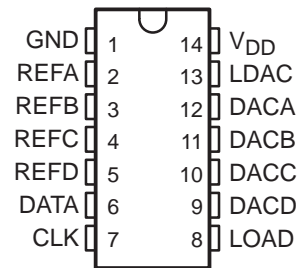


# TLV5620C, TLV5620I QUADRUPLE 8-BIT DIGITAL-TO-ANALOG CONVERTERS

SLAS110B – JANUARY 1995 – REVISED APRIL 1997

- Four 8-Bit Voltage Output DACs
- 3-V Single-Supply Operation
- Serial Interface
- High-Impedance Reference Inputs
- Programmable for 1 or 2 Times Output Range
- Simultaneous Update Facility
- Internal Power-On Reset
- Low-Power Consumption
- Half-Buffered Output

D OR N PACKAGE  
(TOP VIEW)



## applications

- Programmable Voltage Sources
- Digitally Controlled Amplifiers/Attenuators
- Mobile Communications
- Automatic Test Equipment
- Process Monitoring and Control
- Signal Synthesis

## description

The TLV5620C and TLV5620I are quadruple 8-bit voltage output digital-to-analog converters (DACs) with buffered reference inputs (high impedance). The DACs produce an output voltage that ranges between either one or two times the reference voltages and GND; and, the DACs are monotonic. The device is simple to use, because it runs from a single supply of 3 V to 3.6 V. A power-on reset function is incorporated to ensure repeatable start-up conditions.

Digital control of the TLV5620C and TLV5620I is over a simple three-wire serial bus that is CMOS compatible and easily interfaced to all popular microprocessor and microcontroller devices. The 11-bit command word comprises eight bits of data, two DAC select bits, and a range bit, the latter allowing selection between the times 1 or times 2 output range. The DAC registers are double buffered, allowing a complete set of new values to be written to the device, then all DAC outputs update simultaneously through control of LDAC. The digital inputs feature Schmitt triggers for high noise immunity.

The 14-terminal small-outline (SO) package allows digital control of analog functions in space-critical applications. The TLV5620C is characterized for operation from 0°C to 70°C. The TLV5620I is characterized for operation from -40°C to 85°C. The TLV5620C and TLV5620I do not require external trimming.

AVAILABLE OPTIONS

PACKAGE		
T <sub>A</sub>	SMALL OUTLINE (D)	PLASTIC DIP (N)
0°C to 70°C	TLV5620CD	TLV5620CN
-40°C to 85°C	TLV5620ID	TLV5620IN



Please be aware that an important notice concerning availability, standard warranty, and use in critical applications of Texas Instruments semiconductor products and disclaimers thereto appears at the end of this data sheet.

PRODUCTION DATA information is current as of publication date. Products conform to specifications per the terms of Texas Instruments standard warranty. Production processing does not necessarily include testing of all parameters.

 **TEXAS  
INSTRUMENTS**

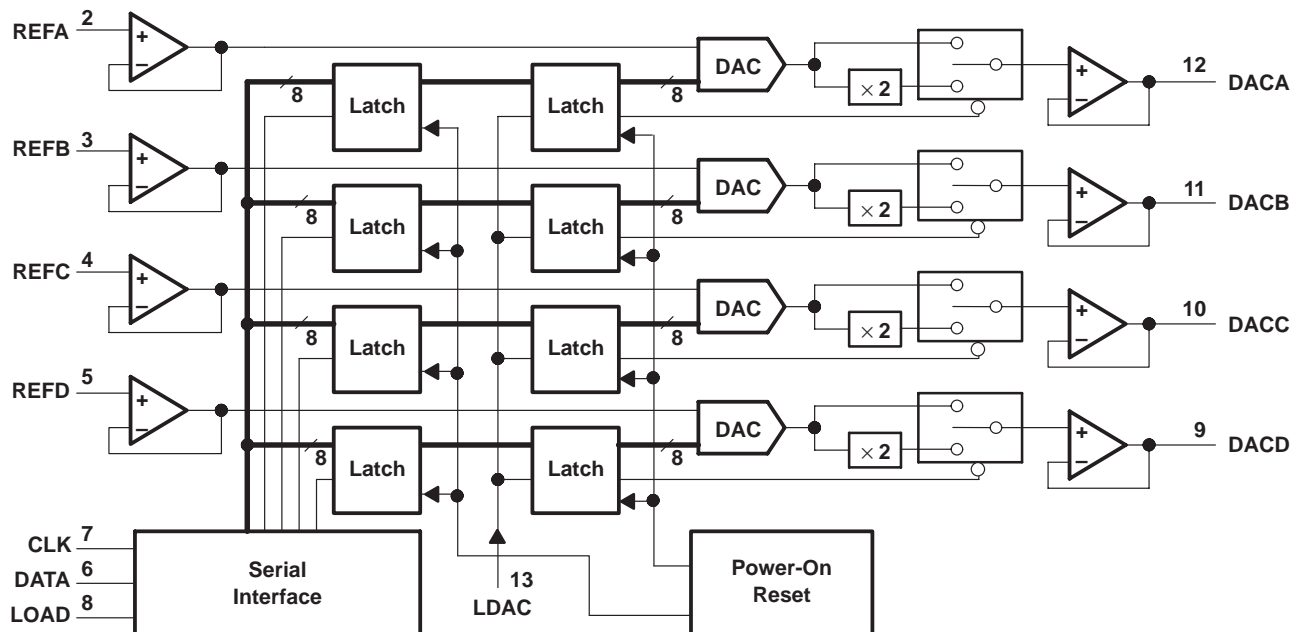
POST OFFICE BOX 655303 • DALLAS, TEXAS 75265

Copyright © 1997, Texas Instruments Incorporated

# TLV5620C, TLV5620I QUADRUPLE 8-BIT DIGITAL-TO-ANALOG CONVERTERS

SLAS110B – JANUARY 1995 – REVISED APRIL 1997

## functional block diagram



## Terminal Functions

TERMINAL NAME	NO.	I/O	DESCRIPTION
CLK	7	I	Serial interface clock. The input digital data is shifted into the serial interface register on the falling edge of the clock applied to the CLK terminal.
DACA	12	O	DAC A analog output
DACB	11	O	DAC B analog output
DACC	10	O	DAC C analog output
DACD	9	O	DAC D analog output
DATA	6	I	Serial interface digital data input. The digital code for the DAC is clocked into the serial interface register serially. Each data bit is clocked into the register on the falling edge of the clock signal.
GND	1	I	Ground return and reference terminal
LDAC	13	I	Load DAC. When this signal is high, no DAC output updates occur when the input digital data is read into the serial interface. The DAC outputs are only updated when LDAC is taken from high to low.
LOAD	8	I	Serial interface load control. When the LDAC terminal is low, the falling edge of the LOAD signal latches the digital data into the output latch and immediately produces the analog voltage at the DAC output terminal.
REFA	2	I	Reference voltage input to DAC A. This voltage defines the output analog range.
REFB	3	I	Reference voltage input to DAC B. This voltage defines the analog output range.
REFC	4	I	Reference voltage input to DAC C. This voltage defines the analog output range.
REFD	5	I	Reference voltage input to DAC D. This voltage defines the analog output range.
VDD	14	I	Positive supply voltage

**detailed description**

The TLV5620 is implemented using four resistor-string DACs. The core of each DAC is a single resistor with 256 taps, corresponding to the 256 possible codes listed in Table 1. One end of each resistor string is connected to GND and the other end is fed from the output of the reference input buffer. Monotonicity is maintained by use of the resistor strings. Linearity depends upon the matching of the resistor segments and upon the performance of the output buffer. Since the inputs are buffered, the DACs always presents a high-impedance load to the reference source.

Each DAC output is buffered by a configurable-gain output amplifier, which can be programmed to times 1 or times 2 gain.

On power up, the DACs are reset to CODE 0.

Each output voltage is given by:

$$V_O(\text{DACA|B|C|D}) = \text{REF} \times \frac{\text{CODE}}{256} \times (1 + \text{RNG bit value})$$

where CODE is in the range 0 to 255 and the range (RNG) bit is a 0 or 1 within the serial control word.

**Table 1. Ideal Output Transfer**

D7	D6	D5	D4	D3	D2	D1	D0	OUTPUT VOLTAGE
0	0	0	0	0	0	0	0	GND
0	0	0	0	0	0	0	1	$(1/256) \times \text{REF} (1+\text{RNG})$
•	•	•	•	•	•	•	•	•
•	•	•	•	•	•	•	•	•
0	1	1	1	1	1	1	1	$(127/256) \times \text{REF} (1+\text{RNG})$
1	0	0	0	0	0	0	0	$(128/256) \times \text{REF} (1+\text{RNG})$
•	•	•	•	•	•	•	•	•
•	•	•	•	•	•	•	•	•
1	1	1	1	1	1	1	1	$(255/256) \times \text{REF} (1+\text{RNG})$

**data interface**

With LOAD high, data is clocked into the DATA terminal on each falling edge of CLK. Once all data bits have been clocked in, LOAD is pulsed low to transfer the data from the serial input register to the selected DAC as shown in Figure 1. When LDAC is low, the selected DAC output voltage is updated when LOAD goes low. When LDAC is high during serial programming, the new value is stored within the device and can be transferred to the DAC output at a later time by pulsing LDAC low as shown in Figure 2. Data is entered MSB first. Data transfers using two 8-clock-cycle periods are shown in Figures 3 and 4.

Table 2 lists the A1 and A0 bits and the selection of the updated DACs. The RNG bit controls the DAC output range. When RNG = low, the output range is between the applied reference voltage and GND, and when RNG = high, the range is between twice the applied reference voltage and GND.

**Table 2. Serial Input Decode**

A1	A0	DAC UPDATED
0	0	DACA
0	1	DACB
1	0	DACC
1	1	DACD

# TLV5620C, TLV5620I QUADRUPLE 8-BIT DIGITAL-TO-ANALOG CONVERTERS

SLAS110B – JANUARY 1995 – REVISED APRIL 1997

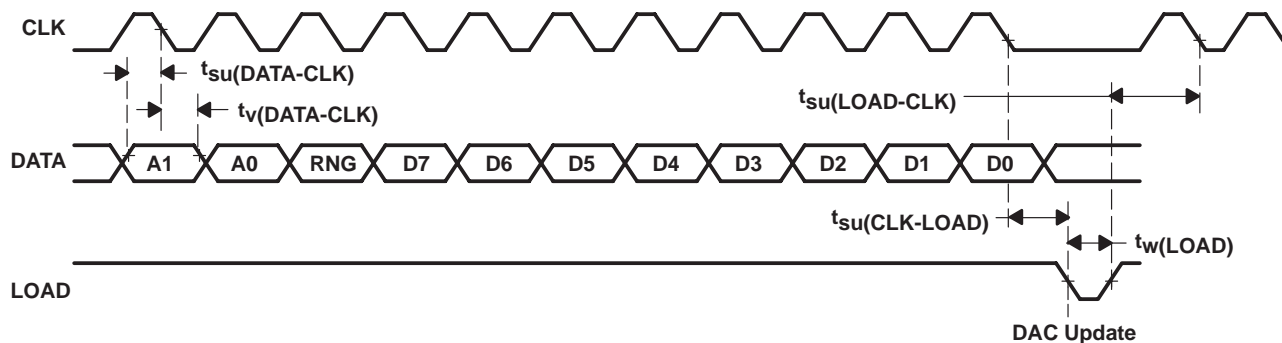


Figure 1. LOAD-Controlled Update (LDAC = Low)

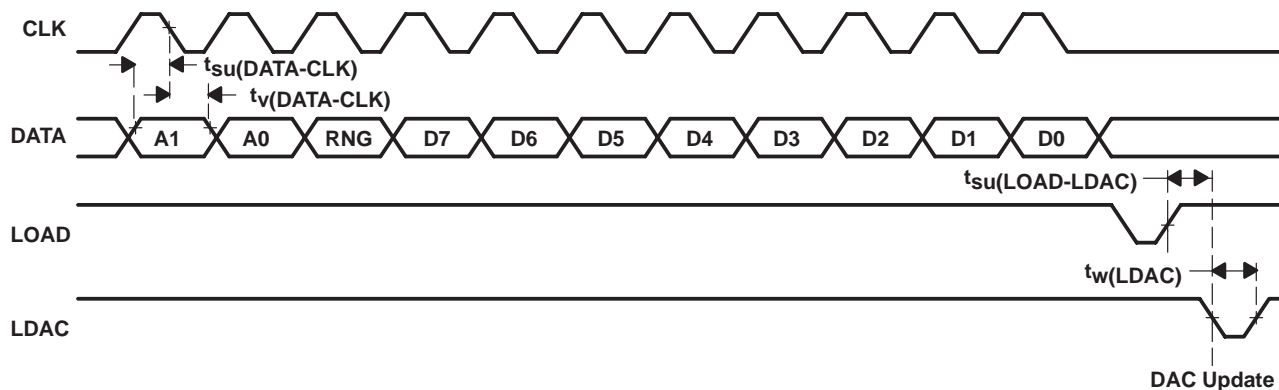


Figure 2. LDAC-Controlled Update



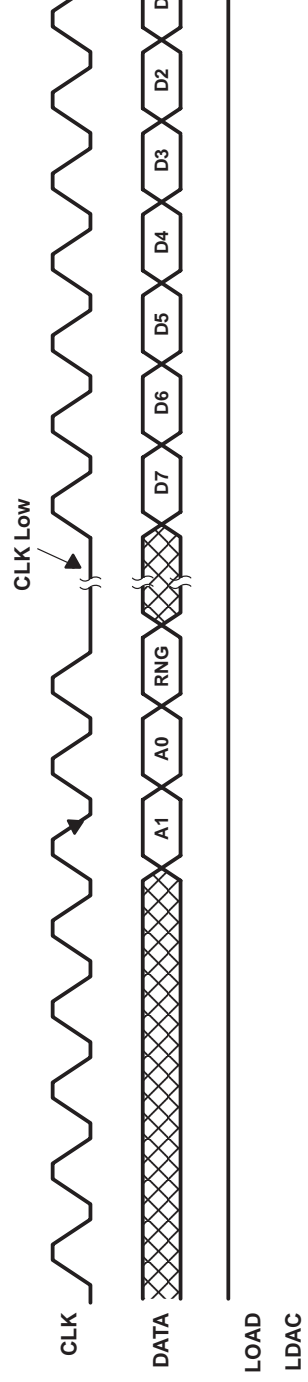


Figure 3. Load Controlled Update Using 8-Bit Serial Word (LDAC = Low)

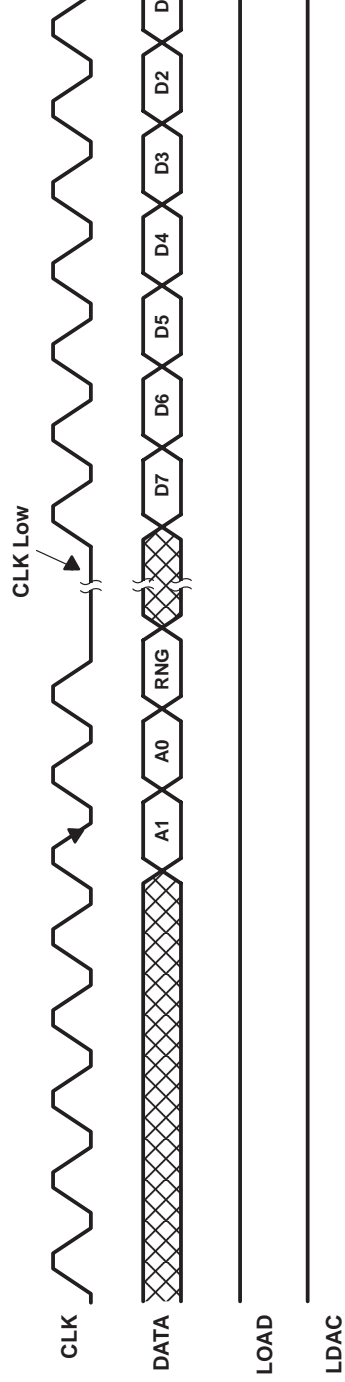


Figure 4. LDAC Controlled Update Using 8-Bit Serial Word

# TLV5620C, TLV5620I

## QUADRUPLE 8-BIT DIGITAL-TO-ANALOG CONVERTERS

SLAS110B – JANUARY 1995 – REVISED APRIL 1997

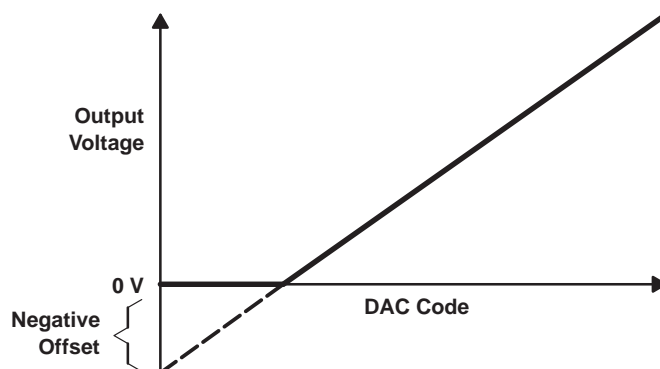
---

### linearity, offset, and gain error using single-end supplies

When an amplifier is operated from a single supply, the voltage offset can still be either positive or negative. With a positive offset voltage, the output voltage changes on the first code change. With a negative offset the output voltage may not change with the first code depending on the magnitude of the offset voltage.

The output amplifier, therefore, attempts to drive the output to a negative voltage. However, because the most negative supply rail is ground, the output cannot drive below ground and clamps the output at 0 V.

The output voltage remains at zero until the input code value produces a sufficient positive output voltage to overcome the negative offset voltage, resulting in the transfer function shown in Figure 5.



**Figure 5. Effect of Negative Offset (Single Supply)**

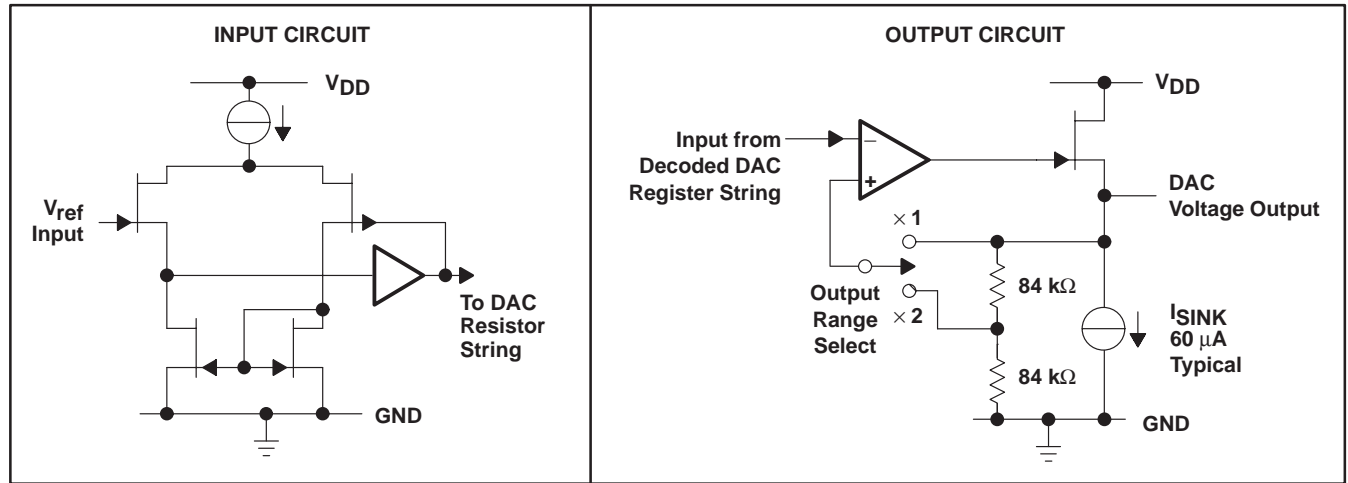
This offset error, not the linearity error, produces this breakpoint. The transfer function would have followed the dotted line if the output buffer could drive below ground.

For a DAC, linearity is measured between zero-input code (all inputs 0) and full-scale code (all inputs 1) after offset and full scale are adjusted out or accounted for in some way. However, single-supply operation does not allow for adjustment when the offset is negative due to the breakpoint in the transfer function. So the linearity is measured between full-scale code and the lowest code that produces a positive output voltage. The code is calculated from the maximum specification for the negative offset.

# TLV5620C, TLV5620I QUADRUPLE 8-BIT DIGITAL-TO-ANALOG CONVERTERS

SLAS110B – JANUARY 1995 – REVISED APRIL 1997

## equivalent inputs and outputs



## absolute maximum ratings over operating free-air temperature range (unless otherwise noted)†

Supply voltage ( $V_{DD} - GND$ )	7 V
Digital input voltage range	$GND - 0.3\text{ V}$ to $V_{DD} + 0.3\text{ V}$
Reference input voltage range, $V_{ID}$	$GND - 0.3\text{ V}$ to $V_{DD} + 0.3\text{ V}$
Operating free-air temperature range, $T_A$ : TLV5620C	$0^\circ\text{C}$ to $70^\circ\text{C}$
TLV5620I	$-40^\circ\text{C}$ to $85^\circ\text{C}$
Storage temperature range, $T_{stg}$	$-50^\circ\text{C}$ to $150^\circ\text{C}$
Lead temperature 1,6 mm (1/16 inch) from case for 10 seconds	$260^\circ\text{C}$

† Stresses beyond those listed under "absolute maximum ratings" may cause permanent damage to the device. These are stress ratings only, and functional operation of the device at these or any other conditions beyond those indicated under "recommended operating conditions" is not implied. Exposure to absolute-maximum-rated conditions for extended periods may affect device reliability.

## recommended operating conditions

	MIN	NOM	MAX	UNIT
Supply voltage, $V_{DD}$	2.7	3.3	5.25	V
High-level input voltage, $V_{IH}$	$0.8 V_{DD}$			V
Low-level input voltage, $V_{IL}$	0.8			V
Reference voltage, $V_{ref}$ [A B C D], $\times 1$ gain	$V_{DD} - 1.5$			V
Load resistance, $R_L$	10			$\text{k}\Omega$
Setup time, data input, $t_{su}(\text{DATA-CLK})$ (see Figures 1 and 2)	50			ns
Valid time, data input valid after $\text{CLK}\downarrow$ , $t_v(\text{DATA-CLK})$ (see Figures 1 and 2)	50			ns
Setup time, CLK eleventh falling edge to LOAD, $t_{su}(\text{CLK-LOAD})$ (see Figure 1)	50			ns
Setup time, $\text{LOAD}\uparrow$ to $\text{CLK}\downarrow$ , $t_{su}(\text{LOAD-CLK})$ (see Figure 1)	50			ns
Pulse duration, LOAD, $t_w(\text{LOAD})$ (see Figure 1)	250			ns
Pulse duration, LDAC, $t_w(\text{LDAC})$ (see Figure 2)	250			ns
Setup time, $\text{LOAD}\uparrow$ to $\text{LDAC}\downarrow$ , $t_{su}(\text{LOAD-LDAC})$ (see Figure 2)	0			ns
CLK frequency			1	MHz
Operating free-air temperature, $T_A$	TLV5620C	0	70	$^\circ\text{C}$
	TLV5620I	-40	85	

# TLV5620C, TLV5620I

## QUADRUPLE 8-BIT DIGITAL-TO-ANALOG CONVERTERS

SLAS110B – JANUARY 1995 – REVISED APRIL 1997

### electrical characteristics over recommended operating free-air temperature range, $V_{DD} = 3\text{ V to }3.6\text{ V}$ , $V_{ref} = 2\text{ V}$ , $\times 1$ gain output range (unless otherwise noted)

PARAMETER		TEST CONDITIONS	MIN	TYP	MAX	UNIT
$I_{IH}$	High-level input current	$V_I = V_{DD}$			$\pm 10$	$\mu\text{A}$
$I_{IL}$	Low-level input current	$V_I = 0\text{ V}$			$\pm 10$	$\mu\text{A}$
$I_{O(\text{sink})}$	Output sink current	Each DAC output	20			$\mu\text{A}$
$I_{O(\text{source})}$	Output source current		1			$\text{mA}$
$C_i$	Input capacitance			15		$\text{pF}$
	Reference input capacitance			15		
$I_{DD}$	Supply current	$V_{DD} = 3.3\text{ V}$			2	$\text{mA}$
$I_{ref}$	Reference input current	$V_{DD} = 3.3\text{ V}$ , $V_{ref} = 1.5\text{ V}$			$\pm 10$	$\mu\text{A}$
$E_L$	Linearity error (end point corrected)	$V_{ref} = 1.25\text{ V}$ , $\times 2$ gain, See Note 1			$\pm 1$	LSB
$E_D$	Differential linearity error	$V_{ref} = 1.25\text{ V}$ , $\times 2$ gain, See Note 2			$\pm 0.9$	LSB
$E_{ZS}$	Zero-scale error	$V_{ref} = 1.25\text{ V}$ , $\times 2$ gain, See Note 3	0		30	$\text{mV}$
	Zero-scale error temperature coefficient	$V_{ref} = 1.25\text{ V}$ , $\times 2$ gain, See Note 4		10		$\mu\text{V}/^\circ\text{C}$
$E_{FS}$	Full-scale error	$V_{ref} = 1.25\text{ V}$ , $\times 2$ gain, See Note 5			$\pm 60$	$\text{mV}$
	Full-scale error temperature coefficient	$V_{ref} = 1.25\text{ V}$ , $\times 2$ gain, See Note 6		$\pm 25$		$\mu\text{V}/^\circ\text{C}$
PSRR	Power-supply sensitivity	See Notes 7 and 8		0.5		$\text{mV}/\text{V}$

- NOTES: 1. Integral nonlinearity (INL) is the maximum deviation of the output from the line between zero and full scale (excluding the effects of zero code and full-scale errors).
2. Differential nonlinearity (DNL) is the difference between the measured and ideal 1 LSB amplitude change of any two adjacent codes. Monotonic means the output voltage changes in the same direction (or remains constant) as a change in the digital input code.
3. Zero-scale error is the deviation from zero voltage output when the digital input code is zero.
4. Zero-scale error temperature coefficient is given by:  $ZSETC = [ZSE(T_{max}) - ZSE(T_{min})]/V_{ref} \times 10^6/(T_{max} - T_{min})$ .
5. Full-scale error is the deviation from the ideal full-scale output ( $V_{ref} - 1\text{ LSB}$ ) with an output load of  $10\text{ k}\Omega$ .
6. Full-scale error temperature coefficient is given by:  $FSETC = [FSE(T_{max}) - FSE(T_{min})]/V_{ref} \times 10^6/(T_{max} - T_{min})$ .
7. Zero-scale error rejection ratio (ZSE-RR) is measured by varying the  $V_{DD}$  voltage from  $4.5\text{ V}$  to  $5.5\text{ V}$  dc and measuring the effect of this signal on the zero-code output voltage.
8. Full-scale error rejection ratio (FSE-RR) is measured by varying the  $V_{DD}$  voltage from  $3\text{ V}$  to  $3.6\text{ V}$  dc and measuring the effect of this signal on the full-scale output voltage.

### operating characteristics over recommended operating free-air temperature range, $V_{DD} = 3\text{ V to }3.6\text{ V}$ , $V_{ref} = 2\text{ V}$ , $\times 1$ gain output range (unless otherwise noted)

	TEST CONDITIONS	MIN	TYP	MAX	UNIT
Output slew rate	$C_L = 100\text{ pF}$ , $R_L = 10\text{ k}\Omega$		1		$\text{V}/\mu\text{s}$
Output settling time	To $\pm 0.5\text{ LSB}$ , $C_L = 100\text{ pF}$ , $R_L = 10\text{ k}\Omega$ , See Note 9		10		$\mu\text{s}$
Large-signal bandwidth	Measured at $-3\text{ dB}$ point		100		$\text{kHz}$
Digital crosstalk	$\text{CLK} = 1\text{-MHz}$ square wave measured at DACA-DACD		$-50$		$\text{dB}$
Reference feedthrough	See Note 10		$-60$		$\text{dB}$
Channel-to-channel isolation	See Note 11		$-60$		$\text{dB}$
Reference input bandwidth	See Note 12		100		$\text{kHz}$

- NOTES: 9. Settling time is the time between a LOAD falling edge and the DAC output reaching full-scale voltage within  $\pm 0.5\text{ LSB}$  starting from an initial output voltage equal to zero.
10. Reference feedthrough is measured at any DAC output with an input code = 00 hex with a  $V_{ref}$  input =  $1\text{ V}$  dc +  $1\text{ V}_{PP}$  at  $10\text{ kHz}$ .
11. Channel-to-channel isolation is measured by setting the input code of one DAC to FF hex and the code of all other DACs to 00 hex with  $V_{ref}$  input =  $1\text{ V}$  dc +  $1\text{ V}_{PP}$  at  $10\text{ kHz}$ .
12. Reference bandwidth is the  $-3\text{ dB}$  bandwidth with an input at  $V_{ref} = 1.25\text{ V}$  dc +  $2\text{ V}_{PP}$  and with a digital input code of full-scale.



PARAMETER MEASUREMENT INFORMATION

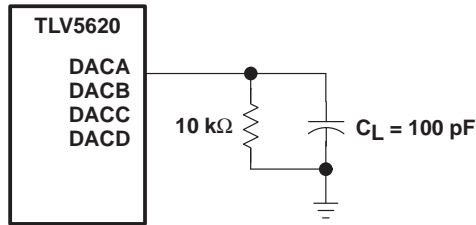
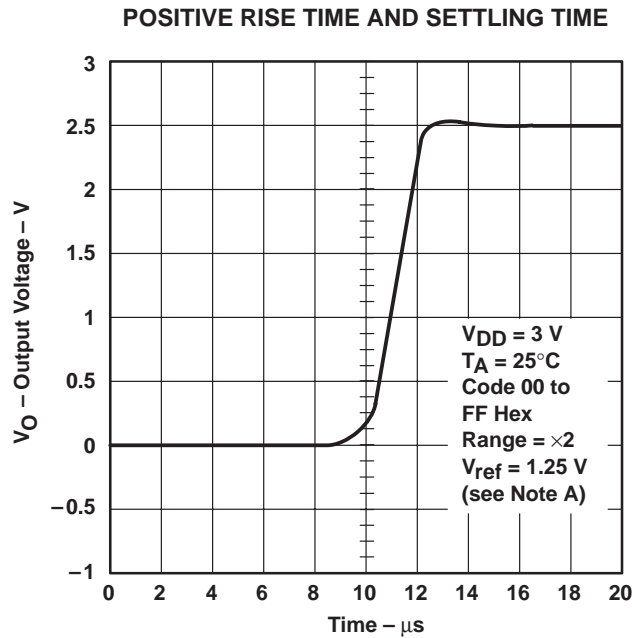


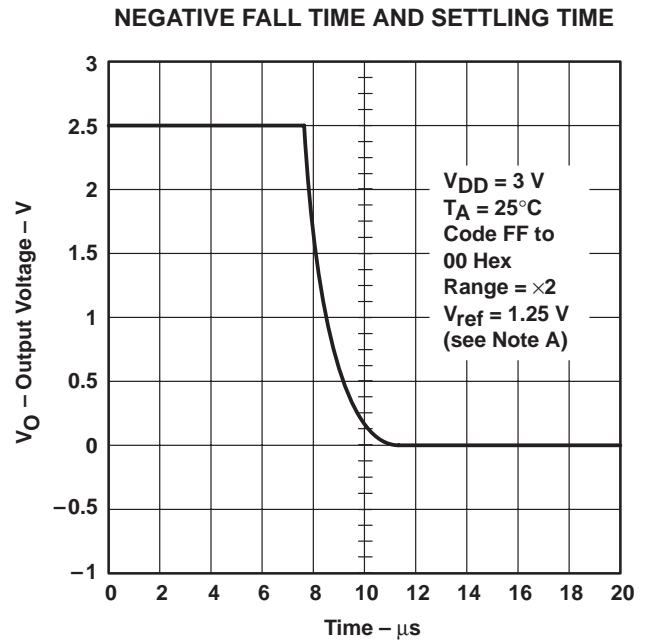
Figure 6. Slew, Settling Time, and Linearity Measurements

TYPICAL CHARACTERISTICS



NOTE A: Rise time = 2.05  $\mu$ s, positive slew rate = 0.96 V/ $\mu$ s, settling time = 4.5  $\mu$ s.

Figure 7



NOTE A: Fall time = 4.25  $\mu$ s, negative slew rate = 0.46 V/ $\mu$ s, settling time = 8.5  $\mu$ s.

Figure 8

# TLV5620C, TLV5620I QUADRUPLE 8-BIT DIGITAL-TO-ANALOG CONVERTERS

SLAS110B – JANUARY 1995 – REVISED APRIL 1997

## TYPICAL CHARACTERISTICS

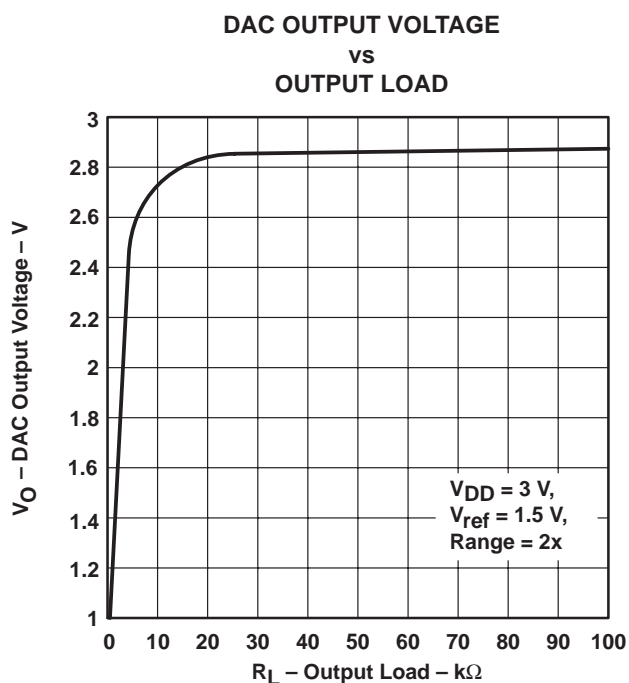


Figure 9

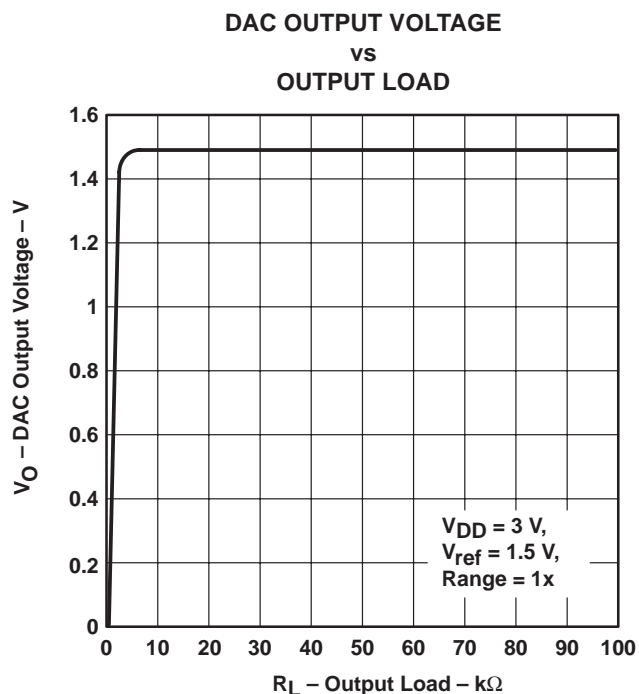


Figure 10

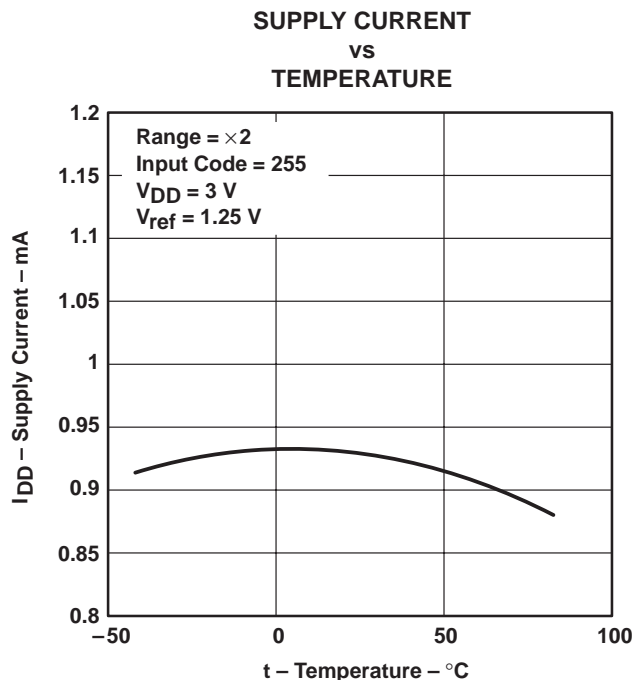
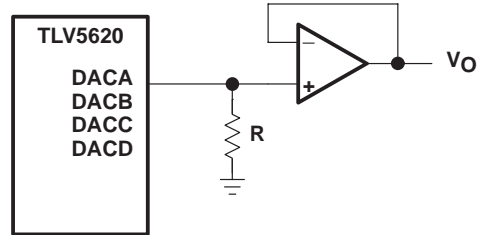


Figure 11

APPLICATION INFORMATION



NOTE A: Resistor R  $\geq$  10 k $\Omega$

Figure 12. Output Buffering Scheme

**PACKAGING INFORMATION**

Orderable Device	Status (1)	Package Type	Package Drawing	Pins	Package Qty	Eco Plan (2)	Lead/Ball Finish (6)	MSL Peak Temp (3)	Op Temp (°C)	Device Marking (4/5)	Samples
TLV5620CD	ACTIVE	SOIC	D	14	50	Green (RoHS & no Sb/Br)	CU NIPDAU	Level-1-260C-UNLIM	0 to 70	TLV5620C	<a href="#">Samples</a>
TLV5620CDG4	ACTIVE	SOIC	D	14	50	Green (RoHS & no Sb/Br)	CU NIPDAU	Level-1-260C-UNLIM	0 to 70	TLV5620C	<a href="#">Samples</a>
TLV5620CDR	ACTIVE	SOIC	D	14	2500	Green (RoHS & no Sb/Br)	CU NIPDAU	Level-1-260C-UNLIM	0 to 70	TLV5620C	<a href="#">Samples</a>
TLV5620CN	ACTIVE	PDIP	N	14	25	Green (RoHS & no Sb/Br)	CU NIPDAU	N / A for Pkg Type	0 to 70	TLV5620CN	<a href="#">Samples</a>
TLV5620ID	ACTIVE	SOIC	D	14	50	Green (RoHS & no Sb/Br)	CU NIPDAU	Level-1-260C-UNLIM	-40 to 85	TLV5620I	<a href="#">Samples</a>
TLV5620IDG4	ACTIVE	SOIC	D	14	50	Green (RoHS & no Sb/Br)	CU NIPDAU	Level-1-260C-UNLIM	-40 to 85	TLV5620I	<a href="#">Samples</a>
TLV5620IDR	ACTIVE	SOIC	D	14	2500	Green (RoHS & no Sb/Br)	CU NIPDAU	Level-1-260C-UNLIM	-40 to 85	TLV5620I	<a href="#">Samples</a>
TLV5620IN	ACTIVE	PDIP	N	14	25	Green (RoHS & no Sb/Br)	CU NIPDAU	N / A for Pkg Type	-40 to 85	TLV5620IN	<a href="#">Samples</a>

(1) The marketing status values are defined as follows:

**ACTIVE:** Product device recommended for new designs.

**LIFEBUY:** TI has announced that the device will be discontinued, and a lifetime-buy period is in effect.

**NRND:** Not recommended for new designs. Device is in production to support existing customers, but TI does not recommend using this part in a new design.

**PREVIEW:** Device has been announced but is not in production. Samples may or may not be available.

**OBSOLETE:** TI has discontinued the production of the device.

(2) **RoHS:** TI defines "RoHS" to mean semiconductor products that are compliant with the current EU RoHS requirements for all 10 RoHS substances, including the requirement that RoHS substance do not exceed 0.1% by weight in homogeneous materials. Where designed to be soldered at high temperatures, "RoHS" products are suitable for use in specified lead-free processes. TI may reference these types of products as "Pb-Free".

**RoHS Exempt:** TI defines "RoHS Exempt" to mean products that contain lead but are compliant with EU RoHS pursuant to a specific EU RoHS exemption.

**Green:** TI defines "Green" to mean the content of Chlorine (Cl) and Bromine (Br) based flame retardants meet JS709B low halogen requirements of <=1000ppm threshold. Antimony trioxide based flame retardants must also meet the <=1000ppm threshold requirement.

(3) MSL, Peak Temp. - The Moisture Sensitivity Level rating according to the JEDEC industry standard classifications, and peak solder temperature.

(4) There may be additional marking, which relates to the logo, the lot trace code information, or the environmental category on the device.

<sup>(5)</sup> Multiple Device Markings will be inside parentheses. Only one Device Marking contained in parentheses and separated by a "-" will appear on a device. If a line is indented then it is a continuation of the previous line and the two combined represent the entire Device Marking for that device.

<sup>(6)</sup> Lead/Ball Finish - Orderable Devices may have multiple material finish options. Finish options are separated by a vertical ruled line. Lead/Ball Finish values may wrap to two lines if the finish value exceeds the maximum column width.

**Important Information and Disclaimer:**The information provided on this page represents TI's knowledge and belief as of the date that it is provided. TI bases its knowledge and belief on information provided by third parties, and makes no representation or warranty as to the accuracy of such information. Efforts are underway to better integrate information from third parties. TI has taken and continues to take reasonable steps to provide representative and accurate information but may not have conducted destructive testing or chemical analysis on incoming materials and chemicals. TI and TI suppliers consider certain information to be proprietary, and thus CAS numbers and other limited information may not be available for release.

In no event shall TI's liability arising out of such information exceed the total purchase price of the TI part(s) at issue in this document sold by TI to Customer on an annual basis.

## TAPE AND REEL INFORMATION



### QUADRANT ASSIGNMENTS FOR PIN 1 ORIENTATION IN TAPE



\*All dimensions are nominal

Device	Package Type	Package Drawing	Pins	SPQ	Reel Diameter (mm)	Reel Width W1 (mm)	A0 (mm)	B0 (mm)	K0 (mm)	P1 (mm)	W (mm)	Pin1 Quadrant
TLV5620IDR	SOIC	D	14	2500	330.0	16.4	6.5	9.0	2.1	8.0	16.0	Q1

**TAPE AND REEL BOX DIMENSIONS**


\*All dimensions are nominal

Device	Package Type	Package Drawing	Pins	SPQ	Length (mm)	Width (mm)	Height (mm)
TLV5620IDR	SOIC	D	14	2500	350.0	350.0	43.0

## IMPORTANT NOTICE AND DISCLAIMER

TI PROVIDES TECHNICAL AND RELIABILITY DATA (INCLUDING DATASHEETS), DESIGN RESOURCES (INCLUDING REFERENCE DESIGNS), APPLICATION OR OTHER DESIGN ADVICE, WEB TOOLS, SAFETY INFORMATION, AND OTHER RESOURCES "AS IS" AND WITH ALL FAULTS, AND DISCLAIMS ALL WARRANTIES, EXPRESS AND IMPLIED, INCLUDING WITHOUT LIMITATION ANY IMPLIED WARRANTIES OF MERCHANTABILITY, FITNESS FOR A PARTICULAR PURPOSE OR NON-INFRINGEMENT OF THIRD PARTY INTELLECTUAL PROPERTY RIGHTS.

These resources are intended for skilled developers designing with TI products. You are solely responsible for (1) selecting the appropriate TI products for your application, (2) designing, validating and testing your application, and (3) ensuring your application meets applicable standards, and any other safety, security, or other requirements. These resources are subject to change without notice. TI grants you permission to use these resources only for development of an application that uses the TI products described in the resource. Other reproduction and display of these resources is prohibited. No license is granted to any other TI intellectual property right or to any third party intellectual property right. TI disclaims responsibility for, and you will fully indemnify TI and its representatives against, any claims, damages, costs, losses, and liabilities arising out of your use of these resources.

TI's products are provided subject to TI's Terms of Sale ([www.ti.com/legal/termsofsale.html](http://www.ti.com/legal/termsofsale.html)) or other applicable terms available either on [ti.com](http://ti.com) or provided in conjunction with such TI products. TI's provision of these resources does not expand or otherwise alter TI's applicable warranties or warranty disclaimers for TI products.

Mailing Address: Texas Instruments, Post Office Box 655303, Dallas, Texas 75265  
Copyright © 2019, Texas Instruments Incorporated

## Looking for pricing, stock, or lifecycle information?

Click below to explore more details on WIN SOURCE:

 [View TLV5620CDRG4](#) on WIN SOURCE

 [Texas Instruments](#) Information

## Optimize Your Supply Chain with WIN SOURCE Solutions

-  Global Sourcing Solution
-  Obsolete Management
-  Cost Control Management
-  Shortage Management
-  Alternative Solution
-  Excess Inventory Management