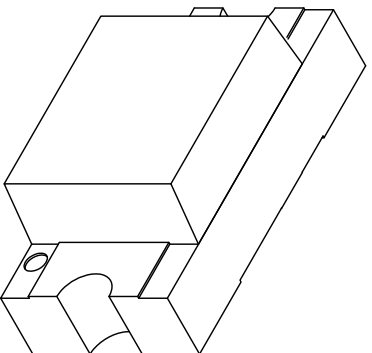




**THE DATASHEET OF
SML-LX0603YW-TR**



PART NUMBER	SML-LX0603YW-TR		REV.	G
DATE	E.C.N. NUMBER AND REVISION COMMENTS		REV.	
09.30.98	E.C.N. #10BRDR. & REDRAWN.		A	
07.18.00	E.C.N. #10644.		B	
12.03.02	E.C.N. #10933.		C	
03.14.03	E.C.N. #10967.		D	
12.07.04	E.C.N. #11148.		E	
03.05.09	E.C.N. #11508.		F	
09.12.13	E.C.N. #10BRDR. & REDRAWN.		G	



CATHODE MARK

[A]

ELECTRO-OPTICAL CHARACTERISTICS $T_a=25^{\circ}\text{C}$, $I_f=20\text{mA}$

PARAMETER	MIN	TYP	MAX	UNITS	TEST COND
PEAK WAVELENGTH		585		nm	
FORWARD VOLTAGE		2.1	2.6	V _f	$I_f=100\mu\text{A}$
REVERSE VOLTAGE	5.0			V _r	$I_f=20\text{mA}$
AXIAL INTENSITY		14		med	
VIEWING ANGLE		160		2x theta	
EMITTED COLOR:	YELLOW				
LENS FINISH:	MILKY WHITE DIFFUSED				

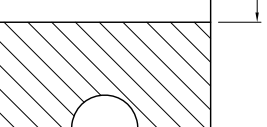
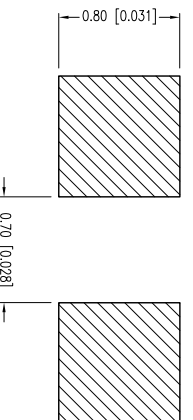
[B] LIMITS OF SAFE OPERATION AT 25°C

PARAMETER	MAX	UNITS
PEAK FORWARD CURRENT*	150	mA
STEADY CURRENT	30	mA
POWER DISSIPATION	50	mW
DERATE FROM 25°C	-1.2	mW/°C
OPERATING TEMP.	-25 TO +85	°C
STORAGE TEMP.	-30 TO +85	°C

* I<10μS

[E] [D] CAUTION: MOISTURE SENSITIVE DEVICE
PER JEDEC LEVEL 2 STANDARDS

RECOMMENDED SOLDER PAD LAYOUT



X±1 (±0.039), X.X=±0.5 (±0.020), X.XX=±0.25 (±0.010), X.XXX=±0.127 (±0.005), LEAD SIZE=±0.05 (±0.002), LEAD LENGTH=±0.75 (±0.030), MIN.= -0.001, DECIMAL PRECISION MAX.= +0.001, DECIMAL PRECISION

DATE: 09.12.13 DRAWN BY: MA
 PAGE: 1 OF 2 CHKD BY: KF
 SCALE: NTS APRVD BY: KF
 UNIT: mm [INCH]

1.6mm x 0.8mm PCB CHIP, SURFACE MOUNT LED, 585nm YELLOW LED, MILKY WHITE DIFFUSED LENS.

THE SPECIFICATIONS MAY CHANGE AT ANY TIME WITHOUT NOTICE DUE TO NEW MATERIALS OR PRODUCT IMPROVEMENT.

CONFIDENTIAL INFORMATION
 THE INFORMATION CONTAINED IN THIS DOCUMENT IS THE PROPERTY OF LUXEY INC. EXCEPT AS SPECIFICALLY AUTHORIZED IN WRITING BY LUXEY INC., THE HOLDER OF THIS DOCUMENT SHALL KEEP ALL INFORMATION CONTAINED HEREIN CONFIDENTIAL AND SHALL PROTECT SAME IN WHOLE OR IN PART FROM DISCLOSURE AND DISSEMINATION TO ALL THIRD PARTIES.

Y AVE.
 SAN LIL 60188-4900
 800.278.5666
 3.15.2152
 LUXEY.COM
 /TW PHOTONICS GROUP

UNCONTROLLED DOCUMENT

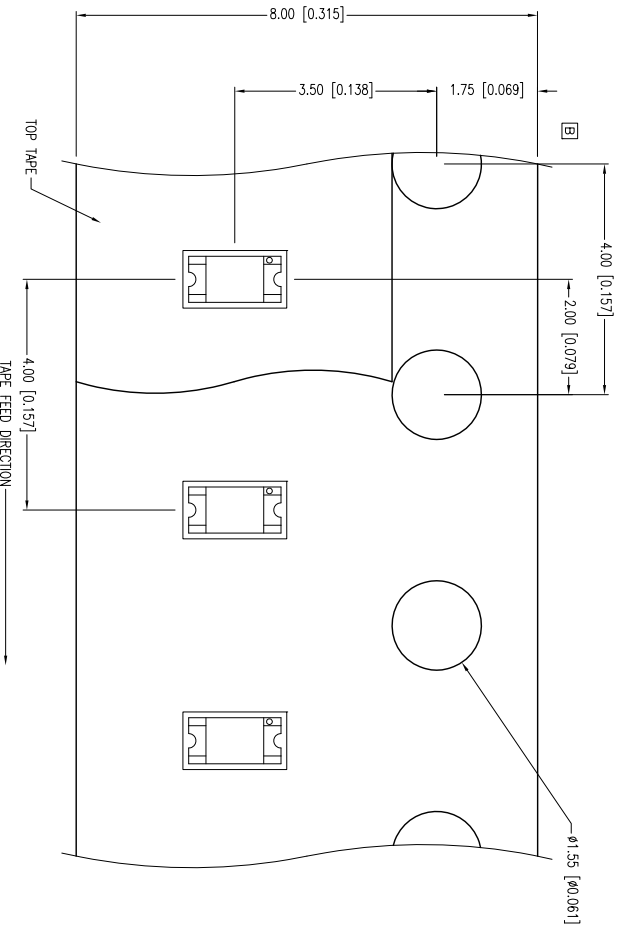
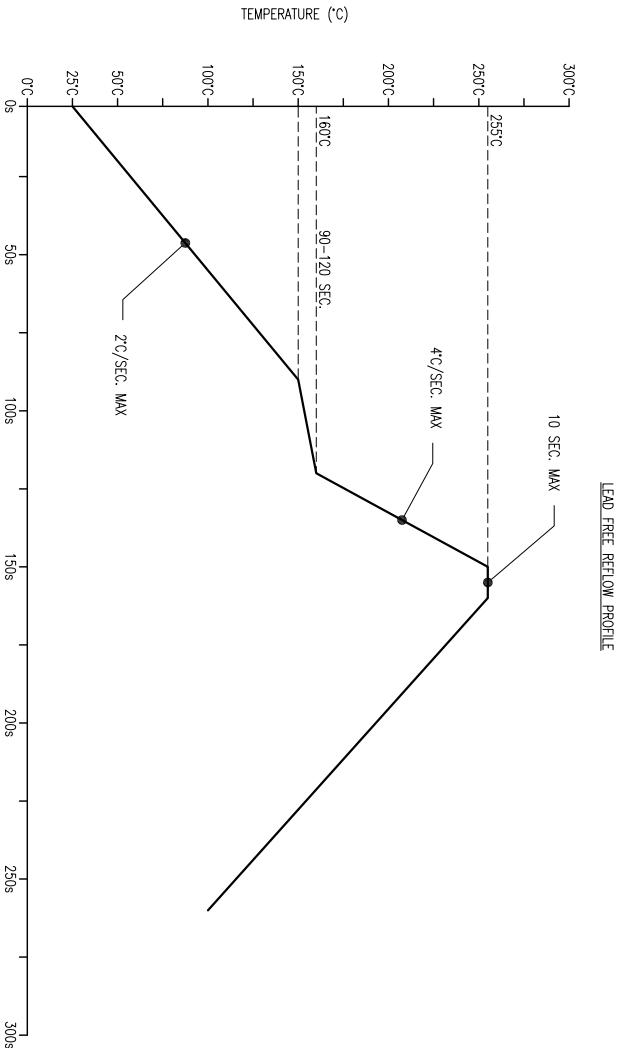
(P)

PART NUMBER

SML-LX0603YW-TR

REV.

G



TOTAL TIME ABOVE 220°C IS 60 SECONDS MAX.

NOTES:

1. THE CATHODE MARK IS ORIENTED TOWARDS THE TAPE SPROCKET HOLE.

Y A/E (+0.039), X.X=±0.5 (+0.020), X.XX=±0.25 (+0.010), X.XXX=±0.127 (+0.005), LEAD SIZE=±0.05 (+0.002), LEAD LENGTH=±0.75 (+0.030), MIN.= -0.00 DECMAL PRECISION MAX.= +0.00 DECMAL PRECISION
 MAIL: L 60188-4900
 800.278.5666
 3.15.2152
 LUXE.COM
LUXE PHOTONICS GROUP

1.6mm x 0.8mm PCB CHIP, SURFACE MOUNT LED, 585nm YELLOW LED, MILKY WHITE DIFFUSED LENS.

THE SPECIFICATIONS MAY CHANGE AT ANY TIME WITHOUT NOTICE DUE TO NEW MATERIALS OR PRODUCT IMPROVEMENT

CONFIDENTIAL INFORMATION
 THE INFORMATION CONTAINED IN THIS DOCUMENT IS THE PROPERTY OF LUXE INC. EXCEPT AS SPECIFICALLY AUTHORIZED IN WRITING BY LUXE INC., THE HOLDER OF THIS DOCUMENT SHALL KEEP ALL INFORMATION CONTAINED HEREIN CONFIDENTIAL AND SHALL PROTECT SAME IN WHOLE OR IN PART FROM DISCLOSURE AND DISSEMINATION TO ALL THIRD PARTIES.

UNCONTROLLED DOCUMENT

DATE:	09.12.13	DRAWN BY:	MA
PAGE:	2 OF 2	CHKD BY:	KF
SCALE:	NTS	APRVD BY:	KF
UNIT:	mm [INCH]		

Looking for pricing, stock, or lifecycle information?

Click below to explore more details on WIN SOURCE:

- ⊖ [View SML-LX0603YW-TR on WIN SOURCE](#)
- ⊖ [Lumex Opto/Components Inc. Information](#)

Optimize Your Supply Chain with WIN SOURCE Solutions

- ✓ Global Sourcing Solution
- ✓ Obsolete Management
- ✓ Cost Control Management
- ✓ Shortage Management
- ✓ Alternative Solution
- ✓ Excess Inventory Management