



**THE DATASHEET OF  
NTCG163JF103HTDS**



TDK Corporation

Piezo & Protection Device B. Grp.

3-9-1, Shibaura, Minato-ku, Tokyo,

108-0023, Japan

TEL. 03-6852-7300



NTCG

NTC Chip Thermistor  
Temperature Sensing Device

PRODUCT: NTCG163JF103HTDS

This product is compliant with the  
AEC-Q200 standard.

PAGE NO.: 1 OF 1

Dimensions and construction

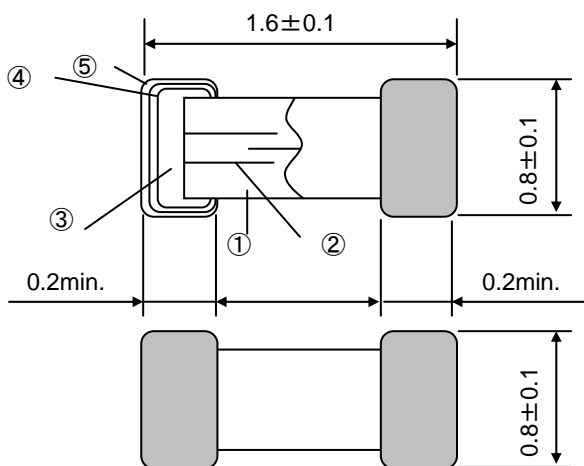


TABLE1. Parts List

	Part Name	Material
①	Element	Manganese, Nickel-oxide base Ceramics materials
②	Inner electrodes	Palladium
③	Terminal	Silver base
④	electrodes	Nickel-plating
⑤		Tin-plating

Operating temperature range

-40 ~ +125°C

TABLE 2. Electric Performance:



Item	Symbol	Specification
Nominal resistance and tolerance	R25	10kΩ ± 3%
B value and tolerance	B25/85	3435K ± 1%
Maximum rated power (condition: chip)	P25	100 mW / 25°C in still air

TABLE 3. Resistance - Temperature Characteristics (condition: chip in silicone oil)

Temp (°C)	Min (kΩ)	Nom (kΩ)	Max (kΩ)	Temp (°C)	Min (kΩ)	Nom (kΩ)	Max (kΩ)	Temp (°C)	Min (kΩ)	Nom (kΩ)	Max (kΩ)
-40.0	177.6	188.5	199.9	20.0	11.71	12.09	12.48	80.0	1.589	1.668	1.749
-35.0	136.3	144.3	152.6	25.0	9.700	10.00	10.30	85.0	1.381	1.451	1.524
-30.0	105.4	111.3	117.5	30.0	8.048	8.312	8.577	90.0	1.204	1.267	1.332
-25.0	82.17	86.56	91.10	35.0	6.709	6.942	7.177	95.0	1.053	1.110	1.169
-20.0	64.51	67.79	71.17	40.0	5.620	5.826	6.033	100.0	0.924	0.975	1.028
-15.0	51.00	53.46	56.00	45.0	4.730	4.911	5.094	105.0	0.814	0.860	0.907
-10.0	40.59	42.45	44.36	50.0	3.998	4.158	4.321	110.0	0.718	0.760	0.803
-5.0	32.51	33.93	35.37	55.0	3.394	3.536	3.680	115.0	0.636	0.674	0.713
0.0	26.20	27.28	28.39	60.0	2.894	3.019	3.147	120.0	0.565	0.599	0.635
5.0	21.24	22.07	22.92	65.0	2.477	2.588	2.702	125.0	0.503	0.534	0.567
10.0	17.32	17.96	18.61	70.0	2.128	2.227	2.329				
15.0	14.20	14.70	15.20	75.0	1.836	1.924	2.015				

## Looking for pricing, stock, or lifecycle information?

Click below to explore more details on WIN SOURCE:

-  [View NTCG163JF103HTDS on WIN SOURCE](#)
-  [TDK Corporation](#) Information

## Optimize Your Supply Chain with WIN SOURCE Solutions

-  Global Sourcing Solution
-  Obsolete Management
-  Cost Control Management
-  Shortage Management
-  Alternative Solution
-  Excess Inventory Management