



**THE DATASHEET OF  
C4532X7R2A155M230KA**



# DELIVERY SPECIFICATION

SPEC. No. C-General-f

D A T E : Aug,2019

To

**Non-Controlled Copy**

CUSTOMER'S PRODUCT NAME

TDK'S PRODUCT NAME

Multilayer Ceramic Chip Capacitors  
 Bulk and tape packaging **【RoHS compliant】**  
 C1005,C1608,C2012,C3216,C3225,  
 C4532,C5750 Type  
 C0G,CH,X5R,X6S,X7R,X7S,X7T,B Characteristics

Please return this specification to TDK representatives with your signature.  
 If orders are placed without returned specification, please allow us to judge that specification is accepted by your side.

## RECEIPT CONFIRMATION

DATE:                      YEAR                      MONTH                      DAY

TDK Corporation  
 Sales  
 Electronic Components  
 Sales & Marketing Group

Engineering  
 Electronic Components Business Company  
 Ceramic Capacitors Business Group

|          |                  |
|----------|------------------|
| APPROVED | Person in charge |
|          |                  |

|          |         |                  |
|----------|---------|------------------|
| APPROVED | CHECKED | Person in charge |
|          |         |                  |

## CATALOG NUMBER CONSTRUCTION

|          |             |            |           |            |          |            |          |          |
|----------|-------------|------------|-----------|------------|----------|------------|----------|----------|
| <b>C</b> | <b>3216</b> | <b>X5R</b> | <b>1A</b> | <b>107</b> | <b>M</b> | <b>160</b> | <b>A</b> | <b>C</b> |
| (1)      | (2)         | (3)        | (4)       | (5)        | (6)      | (7)        | (8)      | (9)      |

### (1) Series

### (2) Dimensions L x W (mm)

| Code | EIA     | Length | Width | Terminal width |
|------|---------|--------|-------|----------------|
| 0402 | CC01005 | 0.40   | 0.20  | 0.07           |
| 0603 | CC0201  | 0.60   | 0.30  | 0.10           |
| 1005 | CC0402  | 1.00   | 0.50  | 0.10           |
| 1608 | CC0603  | 1.60   | 0.80  | 0.20           |
| 2012 | CC0805  | 2.00   | 1.25  | 0.20           |
| 3216 | CC1206  | 3.20   | 1.60  | 0.20           |
| 3225 | CC1210  | 3.20   | 2.50  | 0.20           |
| 4532 | CC1812  | 4.50   | 3.20  | 0.20           |
| 5750 | CC2220  | 5.70   | 5.00  | 0.20           |

### (3) Temperature characteristics

| Temperature characteristics | Temperature coefficient or capacitance change | Temperature range |
|-----------------------------|---|-------------------|
| CH                          | 0±60 ppm/°C                                   | -25 to +85°C      |
| C0G                         | 0±30 ppm/°C                                   | -55 to +125°C     |
| JB                          | ±10%  | -25 to +85°C      |
| X5R                         | ±15%  | -55 to +85°C      |
| X6S                         | ±22%  | -55 to +105°C     |
| X7R                         | ±15%  | -55 to +125°C     |
| X7S                         | ±22%  | -55 to +125°C     |

### (4) Rated voltage (DC)

| Code | Voltage (DC) |
|------|--------------|
| 0G   | 4V           |
| 0J   | 6.3V         |
| 1A   | 10V          |
| 1C   | 16V          |
| 1E   | 25V          |
| 1V   | 35V          |
| 1H   | 50V          |
| 1N   | 75V          |

### (5) Nominal capacitance (pF)

The capacitance is expressed in three digit codes and in units of pico Farads (pF). The first and second digits identify the first and second significant figures of the capacitance. The third digit identifies the multiplier. R designates a decimal point.

(Example)0R5 = 0.5pF

101 = 100pF

225 = 2,200,000pF = 2.2μF

### (6) Capacitance tolerance

| Code | Tolerance |
|------|-----------|
| B    | ±0.10pF   |
| C    | ±0.25pF   |
| D    | ±0.50pF   |
| F    | ±1%       |
| G    | ±2%       |
| J    | ±5%       |
| K    | ±10%      |
| M    | ±20%      |

### (7) Thickness

| Code | Thickness |
|------|-----------|
| 020  | 0.20 mm   |
| 030  | 0.30 mm   |
| 050  | 0.50 mm   |
| 060  | 0.60 mm   |
| 080  | 0.80 mm   |
| 085  | 0.85 mm   |
| 115  | 1.15 mm   |
| 125  | 1.25 mm   |
| 130  | 1.30 mm   |
| 160  | 1.60 mm   |
| 200  | 2.00 mm   |
| 230  | 2.30 mm   |
| 250  | 2.50 mm   |
| 280  | 2.80 mm   |
| 320  | 3.20 mm   |

### (8) Packaging style

| Code | Style                 |
|------|-----------------------|
| A    | 178mm reel, 4mm pitch |
| B    | 178mm reel, 2mm pitch |
| K    | 178mm reel, 8mm pitch |

### (9) Special reserved code

| Code    | Description       |
|---------|-------------------|
| A, B, C | TDK internal code |

## ■ CATALOG NUMBER CONSTRUCTION

|          |             |            |           |            |          |            |          |          |
|----------|-------------|------------|-----------|------------|----------|------------|----------|----------|
| <b>C</b> | <b>5750</b> | <b>X7S</b> | <b>2A</b> | <b>226</b> | <b>M</b> | <b>280</b> | <b>K</b> | <b>B</b> |
| (1)      | (2)         | (3)        | (4)       | (5)        | (6)      | (7)        | (8)      | (9)      |

### (1) Series

### (2) Dimensions L x W (mm)

| Code | EIA    | Length | Width | Terminal width |
|------|--------|--------|-------|----------------|
| 1005 | CC0402 | 1.00   | 0.50  | 0.10           |
| 1608 | CC0603 | 1.60   | 0.80  | 0.20           |
| 2012 | CC0805 | 2.00   | 1.25  | 0.20           |
| 3216 | CC1206 | 3.20   | 1.60  | 0.20           |
| 3225 | CC1210 | 3.20   | 2.50  | 0.20           |
| 4532 | CC1812 | 4.50   | 3.20  | 0.20           |
| 5750 | CC2220 | 5.70   | 5.00  | 0.20           |

### (3) Temperature characteristics

| Temperature characteristics | Temperature coefficient or capacitance change | Temperature range |
|-----------------------------|---|-------------------|
| CH                          | 0±60 ppm/°C                                   | -25 to +85°C      |
| C0G                         | 0±30 ppm/°C                                   | -55 to +125°C     |
| JB                          | ±10%  | -25 to +85°C      |
| X5R                         | ±15%  | -55 to +85°C      |
| X6S                         | ±22%  | -55 to +105°C     |
| X7R                         | ±15%  | -55 to +125°C     |
| X7S                         | ±22%  | -55 to +125°C     |
| X7T                         | +22,-33%                                      | -55 to +125°C     |

### (4) Rated voltage (DC)

| Code | Voltage (DC) |
|------|--------------|
| 2A   | 100V         |
| 2E   | 250V         |
| 2V   | 350V         |
| 2W   | 450V         |
| 2J   | 630V         |

### (5) Nominal capacitance (pF)

The capacitance is expressed in three digit codes and in units of pico Farads (pF). The first and second digits identify the first and second significant figures of the capacitance. The third digit identifies the multiplier. R designates a decimal point.

(Example) 0R5 = 0.5pF  
 101 = 100pF  
 225 = 2,200,000pF = 2.2μF

### (6) Capacitance tolerance

| Code | Tolerance |
|------|-----------|
| C    | ±0.25pF   |
| D    | ±0.50pF   |
| F    | ±1%       |
| G    | ±2%       |
| J    | ±5%       |
| K    | ±10%      |
| M    | ±20%      |

### (7) Thickness

| Code | Thickness |
|------|-----------|
| 050  | 0.50 mm   |
| 060  | 0.60 mm   |
| 080  | 0.80 mm   |
| 085  | 0.85 mm   |
| 115  | 1.15 mm   |
| 125  | 1.25 mm   |
| 130  | 1.30 mm   |
| 160  | 1.60 mm   |
| 200  | 2.00 mm   |
| 230  | 2.30 mm   |
| 250  | 2.50 mm   |
| 280  | 2.80 mm   |
| 320  | 3.20 mm   |

### (8) Packaging style

| Code | Style                 |
|------|-----------------------|
| A    | 178mm reel, 4mm pitch |
| B    | 178mm reel, 2mm pitch |
| K    | 178mm reel, 8mm pitch |

### (9) Special reserved code

| Code       | Description       |
|------------|-------------------|
| A, B, C, N | TDK internal code |

**SCOPE**

This delivery specification shall be applied to Multilayer ceramic chip capacitors to be delivered to \_\_\_\_\_.

**PRODUCTION PLACES**

Production places defined in this specification shall be TDK Corporation, TDK(Suzhou)Co.,Ltd and TDK Components U.S.A.,Inc.

**PRODUCT NAME**

The name of the product to be defined in this specifications shall be C◇◇◇◇○○○△△□□□×.

**REFERENCE STANDARD**

|                       |   |
|-----------------------|---|
| JIS C 5101-1 : 2010   | Fixed capacitors for use in electronic equipment-Part 1: Generic specification  |
| C 5101-21 : 2014      | Fixed capacitors for use in electronic equipment-Part 21 : Sectional specification : Fixed surface mount multilayer capacitors of ceramic dielectric,Class1 |
| C 5101-22 : 2014      | Fixed capacitors for use in electronic equipment-Part 22 : Sectional specification : Fixed surface mount multilayer capacitors of ceramic dielectric,Class2 |
| C 0806-3 : 2014       | Packaging of components for automatic handling - Part 3: Packaging of surface mount components on continuous tapes  |
| JEITA RCR-2335 C 2014 | Safety application guide for fixed ceramic capacitors for use in electronic equipment   |

**CONTENTS**

1. CODE CONSTRUCTION
2. COMBINATION OF RATED CAPACITANCE AND TOLERANCE
3. OPERATING TEMPERATURE RANGE
4. STORING CONDITION AND TERM
5. P.C. BOARD
6. INDUSTRIAL WASTE DISPOSAL
7. PERFORMANCE
8. INSIDE STRUCTURE AND MATERIAL
9. PACKAGING
10. RECOMMENDATION
11. SOLDERING CONDITION
12. CAUTION
13. TAPE PACKAGING SPECIFICATION

**<EXPLANATORY NOTE>**

When the mistrust in the spec arises, this specification is given priority. And it will be confirmed by written spec change after conference of both posts involved.

This specification warrants the quality of the ceramic chip capacitor. Capacitors should be evaluated or confirmed a state of mounted on your product.

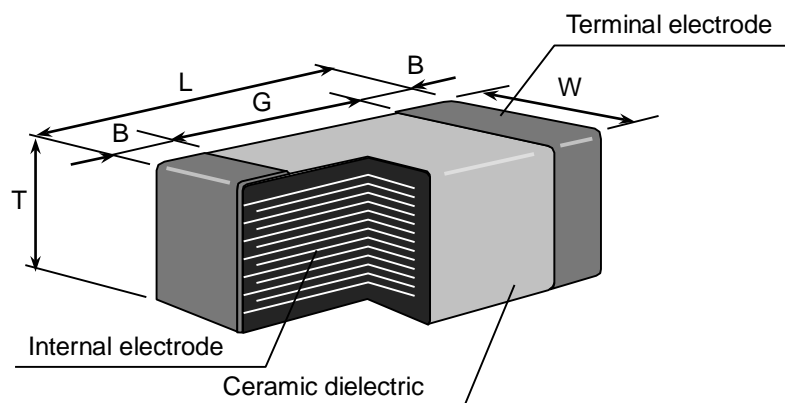
If the use of the capacitors goes beyond the bounds of this specification, we can not afford to guarantee.

| Division                          | Date      | SPEC. No.   |
|-----------------------------------|-----------|-------------|
| Ceramic Capacitors Business Group | Aug, 2019 | C-General-f |

## 1. CODE CONSTRUCTION

(Example) C2012 X7R 1E 225 K T 0000  
 (1) (2) (3) (4) (5) (6) (7)

(1) Case size



| Case size<br>[EIA style] | Dimensions (mm)                        |  |  |           |           |
|--------------------------|--|--|--|-----------|-----------|
|                          | L                                      | W                                      | T                                      | B         | G         |
| C1005<br>[CC0402]        | 1.00±0.05                              | 0.50±0.05                              | 0.50±0.05                              | 0.10 min. | 0.30 min. |
|                          | 1.00±0.10                              | 0.50±0.10                              | 0.50±0.10                              |           |           |
|                          | 1.00 <sup>+0.15</sup> <sub>-0.10</sub> | 0.50 <sup>+0.15</sup> <sub>-0.10</sub> | 0.50 <sup>+0.15</sup> <sub>-0.10</sub> |           |           |
| C1608<br>[CC0603]        | 1.60±0.10                              | 0.80±0.10                              | 0.80±0.10                              | 0.20 min. | 0.30 min. |
|                          | 1.60 <sup>+0.15</sup> <sub>-0.10</sub> | 0.80 <sup>+0.15</sup> <sub>-0.10</sub> | 0.80 <sup>+0.15</sup> <sub>-0.10</sub> |           |           |
|                          | 1.60 <sup>+0.20</sup> <sub>-0.10</sub> | 0.80 <sup>+0.20</sup> <sub>-0.10</sub> | 0.80 <sup>+0.20</sup> <sub>-0.10</sub> |           |           |
| C2012<br>[CC0805]        | 2.00±0.20                              | 1.25±0.20                              | 0.60±0.15                              | 0.20 min. | 0.50 min. |
|                          |  |  | 0.85±0.15                              |           |           |
|                          |  |  | 1.25±0.20                              |           |           |
|                          | 2.00 <sup>+0.25</sup> <sub>-0.15</sub> | 1.25 <sup>+0.25</sup> <sub>-0.15</sub> | 1.25 <sup>+0.25</sup> <sub>-0.15</sub> |           |           |
| C3216<br>[CC1206]        | 3.20±0.20                              | 1.60±0.20                              | 0.60±0.15                              | 0.20 min. | 1.00 min. |
|                          |  |  | 0.85±0.15                              |           |           |
|                          |  |  | 1.15±0.15                              |           |           |
|                          |  |  | 1.30±0.20                              |           |           |
|                          |  |  | 1.60±0.20                              |           |           |
|                          | 3.20 <sup>+0.30</sup> <sub>-0.10</sub> | 1.60 <sup>+0.30</sup> <sub>-0.10</sub> | 1.60 <sup>+0.30</sup> <sub>-0.10</sub> |           |           |
| C3225<br>[CC1210]        | 3.20±0.40                              | 2.50±0.30                              | 1.25±0.20                              | 0.20 min. | —         |
|                          |  |  | 1.60±0.20                              |           |           |
|                          |  |  | 2.00±0.20                              |           |           |
|                          |  |  | 2.30±0.20                              |           |           |
|                          |  |  | 2.50±0.30                              |           |           |
| C4532<br>[CC1812]        | 4.50±0.40                              | 3.20±0.40                              | 1.60±0.20                              | 0.20 min. | —         |
|                          |  |  | 2.00±0.20                              |           |           |
|                          |  |  | 2.30±0.20                              |           |           |
|                          |  |  | 2.50±0.30                              |           |           |
|                          |  |  | 2.80±0.30                              |           |           |
| C5750<br>[CC2220]        | 5.70±0.40                              | 5.00±0.40                              | 1.60±0.20                              | 0.20 min. | —         |
|                          |  |  | 2.00±0.20                              |           |           |
|                          |  |  | 2.30±0.20                              |           |           |
|                          |  |  | 2.50±0.30                              |           |           |
|                          |  |  | 2.80±0.30                              |           |           |

\* As for each item, please refer to detail page on TDK Web.

## (2) Temperature Characteristics

\* Details are shown in table 1 No.6 and No.7 at 7.PERFORMANCE

## (3) Rated Voltage

| Symbol | Rated Voltage | Symbol | Rated Voltage |
|--------|---------------|--------|---------------|
| 2 J    | DC 630 V      | 1 V    | DC 35 V       |
| 2 W    | DC 450 V      | 1 E    | DC 25 V       |
| 2 V    | DC 350 V      | 1 C    | DC 16 V       |
| 2 E    | DC 250 V      | 1 A    | DC 10 V       |
| 2 A    | DC 100 V      | 0 J    | DC 6.3 V      |
| 1 N    | DC 75 V       | 0 G    | DC 4 V        |
| 1 H    | DC 50 V       |        |               |

## (4) Rated Capacitance

Stated in three digits and in units of pico farads (pF).  
 The first and Second digits identify the first and second significant figures of the capacitance, the third digit identifies the multiplier.  
 R is designated for a decimal point.

(Example)

| Symbol | Rated Capacitance |
|--------|-------------------|
| 2R2    | 2.2 pF            |
| 225    | 2,200,000 pF      |

## (5) Capacitance tolerance

\* M tolerance shall be standard for over 10uF.

| Symbol | Tolerance | Capacitance    |
|--------|-----------|----------------|
| C      | ± 0.25 pF | 10pF and under |
| D      | ± 0.5 pF  |                |
| J      | ± 5 %     | Over 10pF      |
| K      | ± 10 %    |                |
| * M    | ± 20 %    |                |

## (6) Packaging

\* C1005 type is applicable to tape packaging only.

| Symbol | Packaging |
|--------|-----------|
| B      | Bulk      |
| T      | Taping    |

## (7) TDK internal code

## 2. COMBINATION OF RATED CAPACITANCE AND TOLERANCE

| Class | Temperature Characteristics          | Capacitance tolerance |                                      | Rated capacitance             |
|-------|--------------------------------------|-----------------------|--------------------------------------|-------------------------------|
| 1     | C0G<br>CH                            | 10pF and under        | C ( $\pm 0.25\text{pF}$ )            | 1, 2, 3, 4, 5                 |
|       |                                      |                       | D ( $\pm 0.5\text{pF}$ )             | 6, 7, 8, 9, 10                |
|       |                                      | Over 10pF             | J ( $\pm 5\%$ )                      | E – 6 series<br>E – 12 series |
| 2     | X5R<br>X6S<br>X7R<br>X7S<br>X7T<br>B | 10uF and under        | K ( $\pm 10\%$ )<br>M ( $\pm 20\%$ ) | E – 6 series                  |
|       |                                      | Over 10uF             | M ( $\pm 20\%$ )                     |                               |

Capacitance Step in E series

| E series | Capacitance Step |     |     |     |     |     |     |     |     |     |     |     |
|----------|------------------|-----|-----|-----|-----|-----|-----|-----|-----|-----|-----|-----|
| E-6      | 1.0              |     | 1.5 |     | 2.2 |     | 3.3 |     | 4.7 |     | 6.8 |     |
| E-12     | 1.0              | 1.2 | 1.5 | 1.8 | 2.2 | 2.7 | 3.3 | 3.9 | 4.7 | 5.6 | 6.8 | 8.2 |

## 3. OPERATING TEMPERATURE RANGE

| T.C.            | Min. operating Temperature | Max. operating Temperature | Reference Temperature |
|-----------------|----------------------------|----------------------------|-----------------------|
| CH/B            | -25°C                      | 85°C                       | 20°C                  |
| X5R             | -55°C                      | 85°C                       | 25°C                  |
| X6S             | -55°C                      | 105°C                      | 25°C                  |
| C0G/X7R/X7S/X7T | -55°C                      | 125°C                      | 25°C                  |

## 4. STORING CONDITION AND TERM

| Storing temperature | Storing humidity | Storing term                  |
|---------------------|------------------|-------------------------------|
| 5~40°C              | 20~70%RH         | Within 6 months upon receipt. |

## 5. P.C. BOARD

When mounting on an aluminum substrate, large case sizes such as C3225[CC1210] and larger are more likely to be affected by heat stress from the substrate. Please inquire separate specification for the large case sizes when mounted on the substrate.

## 6. INDUSTRIAL WASTE DISPOSAL

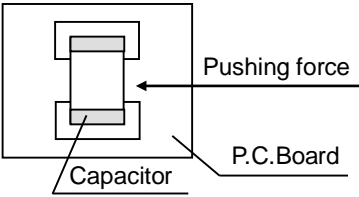
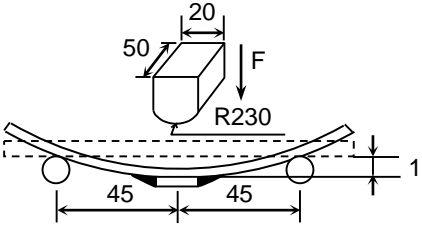
Dispose this product as industrial waste in accordance with the Industrial Waste Law.

## 7. PERFORMANCE

table 1

| No.   | Item                  |                     | Performance  | Test or inspection method  |       |                   |               |   |                |                   |                       |                     |             |                     |   |                |                     |                       |                     |             |                     |
|-------|-----------------------|---------------------|--|--|-------|-------------------|---------------|---|----------------|-------------------|-----------------------|---------------------|-------------|---------------------|---|----------------|---------------------|-----------------------|---------------------|-------------|---------------------|
| 1     | External Appearance   |                     | No defects which may affect performance.                             | Inspect with magnifying glass (3×)   |       |                   |               |   |                |                   |                       |                     |             |                     |   |                |                     |                       |                     |             |                     |
| 2     | Insulation Resistance |                     | Please refer to detail page on TDK Web.                              | Measuring voltage : Rated voltage<br>(As for the capacitor of rated voltage 630V DC, apply 500V DC.)<br>Voltage application time : 60s.  |       |                   |               |   |                |                   |                       |                     |             |                     |   |                |                     |                       |                     |             |                     |
| 3     | Voltage Proof         |                     | Withstand test voltage without insulation breakdown or other damage. | <table border="1"> <thead> <tr> <th>Class</th> <th>Rated voltage(RV)</th> <th>Apply voltage</th> </tr> </thead> <tbody> <tr> <td rowspan="3">1</td> <td><math>RV \leq 100V</math></td> <td>3 × rated voltage</td> </tr> <tr> <td><math>100V &lt; RV \leq 500V</math></td> <td>1.5 × rated voltage</td> </tr> <tr> <td><math>500V &lt; RV</math></td> <td>1.3 × rated voltage</td> </tr> <tr> <td rowspan="3">2</td> <td><math>RV \leq 100V</math></td> <td>2.5 × rated voltage</td> </tr> <tr> <td><math>100V &lt; RV \leq 500V</math></td> <td>1.5 × rated voltage</td> </tr> <tr> <td><math>500V &lt; RV</math></td> <td>1.3 × rated voltage</td> </tr> </tbody> </table> <p>Voltage application time : 1s.<br/>Charge / discharge current : 50mA or lower</p> | Class | Rated voltage(RV) | Apply voltage | 1 | $RV \leq 100V$ | 3 × rated voltage | $100V < RV \leq 500V$ | 1.5 × rated voltage | $500V < RV$ | 1.3 × rated voltage | 2 | $RV \leq 100V$ | 2.5 × rated voltage | $100V < RV \leq 500V$ | 1.5 × rated voltage | $500V < RV$ | 1.3 × rated voltage |
| Class | Rated voltage(RV)     | Apply voltage       |  |  |       |                   |               |   |                |                   |                       |                     |             |                     |   |                |                     |                       |                     |             |                     |
| 1     | $RV \leq 100V$        | 3 × rated voltage   |  |  |       |                   |               |   |                |                   |                       |                     |             |                     |   |                |                     |                       |                     |             |                     |
|       | $100V < RV \leq 500V$ | 1.5 × rated voltage |  |  |       |                   |               |   |                |                   |                       |                     |             |                     |   |                |                     |                       |                     |             |                     |
|       | $500V < RV$           | 1.3 × rated voltage |  |  |       |                   |               |   |                |                   |                       |                     |             |                     |   |                |                     |                       |                     |             |                     |
| 2     | $RV \leq 100V$        | 2.5 × rated voltage |  |  |       |                   |               |   |                |                   |                       |                     |             |                     |   |                |                     |                       |                     |             |                     |
|       | $100V < RV \leq 500V$ | 1.5 × rated voltage |  |  |       |                   |               |   |                |                   |                       |                     |             |                     |   |                |                     |                       |                     |             |                     |
|       | $500V < RV$           | 1.3 × rated voltage |  |  |       |                   |               |   |                |                   |                       |                     |             |                     |   |                |                     |                       |                     |             |                     |
| 4     | Capacitance           |                     | Within the specified tolerance.                                      | As for measuring condition, please refer to the TABLE A.   |       |                   |               |   |                |                   |                       |                     |             |                     |   |                |                     |                       |                     |             |                     |
| 5     | Q                     | Class1              | Please refer to detail page on TDK Web.                              | See No.4 in this table for measuring condition.  |       |                   |               |   |                |                   |                       |                     |             |                     |   |                |                     |                       |                     |             |                     |
|       | Dissipation Factor    | Class2              |  |  |       |                   |               |   |                |                   |                       |                     |             |                     |   |                |                     |                       |                     |             |                     |

(continued)

| No.                    | Item  | Performance   | Test or inspection method   |                                  |                    |                      |           |   |                   |  |  |                   |         |  |      |                 |   |                     |   |                          |   |                     |   |                          |
|------------------------|---|---|---|----------------------------------|--------------------|----------------------|-----------|---|-------------------|--|--|-------------------|---------|--|------|-----------------|---|---------------------|---|--------------------------|---|---------------------|---|--------------------------|
| 6                      | Temperature Characteristics of Capacitance (Class1) | <table border="1"> <tr> <td>T.C.</td> <td>Temperature Coefficient (ppm/°C)</td> </tr> <tr> <td>C0G</td> <td>0 ± 30</td> </tr> <tr> <td>CH</td> <td>0 ± 60</td> </tr> <tr> <td>Capacitance drift</td> <td>Within ± 0.2% or ± 0.05pF, whichever larger.</td> </tr> </table>   | T.C.  | Temperature Coefficient (ppm/°C) | C0G                | 0 ± 30               | CH        | 0 ± 60  | Capacitance drift | Within ± 0.2% or ± 0.05pF, whichever larger. | <p>Temperature coefficient shall be calculated based on values at 25°C(CH:20°C) and 85°C temperature.</p> <p>Measuring temperature below 25°C(CH:20°C) shall be -10°C and -25°C.</p> |                   |         |  |      |                 |   |                     |   |                          |   |                     |   |                          |
| T.C.                   | Temperature Coefficient (ppm/°C)                    |   |   |                                  |                    |                      |           |   |                   |  |  |                   |         |  |      |                 |   |                     |   |                          |   |                     |   |                          |
| C0G                    | 0 ± 30  |   |   |                                  |                    |                      |           |   |                   |  |  |                   |         |  |      |                 |   |                     |   |                          |   |                     |   |                          |
| CH                     | 0 ± 60  |   |   |                                  |                    |                      |           |   |                   |  |  |                   |         |  |      |                 |   |                     |   |                          |   |                     |   |                          |
| Capacitance drift      | Within ± 0.2% or ± 0.05pF, whichever larger.        |   |   |                                  |                    |                      |           |   |                   |  |  |                   |         |  |      |                 |   |                     |   |                          |   |                     |   |                          |
| 7                      | Temperature Characteristics of Capacitance (Class2) | <table border="1"> <tr> <th colspan="2">Capacitance Change (%)</th> </tr> <tr> <th>No voltage applied</th> <th>With voltage Applied</th> </tr> <tr> <td>X5R : ±15</td> <td rowspan="6">Please contact with our sales representative.</td> </tr> <tr> <td>X6S : ±22</td> </tr> <tr> <td>X7R : ±15</td> </tr> <tr> <td>X7S : ±22</td> </tr> <tr> <td>X7T : +22<br/>- 33</td> </tr> <tr> <td>B : ±10</td> </tr> </table> | Capacitance Change (%)  |                                  | No voltage applied | With voltage Applied | X5R : ±15 | Please contact with our sales representative. | X6S : ±22         | X7R : ±15                                    | X7S : ±22  | X7T : +22<br>- 33 | B : ±10 | <p>Capacitance shall be measured by the steps shown in the following table after thermal equilibrium is obtained for each step. <math>\Delta C</math> be calculated ref. STEP3 reading</p> <table border="1"> <tr> <th>Step</th> <th>Temperature(°C)</th> </tr> <tr> <td>1</td> <td>Reference temp. ± 2</td> </tr> <tr> <td>2</td> <td>Min. operating temp. ± 2</td> </tr> <tr> <td>3</td> <td>Reference temp. ± 2</td> </tr> <tr> <td>4</td> <td>Max. operating temp. ± 2</td> </tr> </table> <p>As for Min./Max operating temp and Reference temp., please refer to "3. OPERATING TEMPERATURE RANGE"<br/>Apply a voltage of 1/2 rated voltage.<br/>As for measuring voltage, please contact with our sales representative.</p> | Step | Temperature(°C) | 1 | Reference temp. ± 2 | 2 | Min. operating temp. ± 2 | 3 | Reference temp. ± 2 | 4 | Max. operating temp. ± 2 |
| Capacitance Change (%) |   |   |   |                                  |                    |                      |           |   |                   |  |  |                   |         |  |      |                 |   |                     |   |                          |   |                     |   |                          |
| No voltage applied     | With voltage Applied                                |   |   |                                  |                    |                      |           |   |                   |  |  |                   |         |  |      |                 |   |                     |   |                          |   |                     |   |                          |
| X5R : ±15              | Please contact with our sales representative.       |   |   |                                  |                    |                      |           |   |                   |  |  |                   |         |  |      |                 |   |                     |   |                          |   |                     |   |                          |
| X6S : ±22              |   |   |   |                                  |                    |                      |           |   |                   |  |  |                   |         |  |      |                 |   |                     |   |                          |   |                     |   |                          |
| X7R : ±15              |   |   |   |                                  |                    |                      |           |   |                   |  |  |                   |         |  |      |                 |   |                     |   |                          |   |                     |   |                          |
| X7S : ±22              |   |   |   |                                  |                    |                      |           |   |                   |  |  |                   |         |  |      |                 |   |                     |   |                          |   |                     |   |                          |
| X7T : +22<br>- 33      |   |   |   |                                  |                    |                      |           |   |                   |  |  |                   |         |  |      |                 |   |                     |   |                          |   |                     |   |                          |
| B : ±10                |   |   |   |                                  |                    |                      |           |   |                   |  |  |                   |         |  |      |                 |   |                     |   |                          |   |                     |   |                          |
| Step                   | Temperature(°C)                                     |   |   |                                  |                    |                      |           |   |                   |  |  |                   |         |  |      |                 |   |                     |   |                          |   |                     |   |                          |
| 1                      | Reference temp. ± 2                                 |   |   |                                  |                    |                      |           |   |                   |  |  |                   |         |  |      |                 |   |                     |   |                          |   |                     |   |                          |
| 2                      | Min. operating temp. ± 2                            |   |   |                                  |                    |                      |           |   |                   |  |  |                   |         |  |      |                 |   |                     |   |                          |   |                     |   |                          |
| 3                      | Reference temp. ± 2                                 |   |   |                                  |                    |                      |           |   |                   |  |  |                   |         |  |      |                 |   |                     |   |                          |   |                     |   |                          |
| 4                      | Max. operating temp. ± 2                            |   |   |                                  |                    |                      |           |   |                   |  |  |                   |         |  |      |                 |   |                     |   |                          |   |                     |   |                          |
| 8                      | Robustness of Terminations                          | No sign of termination coming off, breakage of ceramic, or other abnormal signs.  | <p>Reflow solder the capacitors on a P.C.Board shown in Appendix 2.</p> <p>Apply a pushing force gradually at the center of a specimen in a horizontal direction of P.C.board.</p> <p>Pushing force : 5N<br/>(2N is applied for C1005 type.)<br/>Holding time : 10±1s</p>  |                                  |                    |                      |           |   |                   |  |  |                   |         |  |      |                 |   |                     |   |                          |   |                     |   |                          |
| 9                      | Bending   | No mechanical damage.   | <p>Reflow solder the capacitors on a P.C.Board shown in Appendix1 and bend it for 1mm.</p>  <p>(Unit : mm)</p>  |                                  |                    |                      |           |   |                   |  |  |                   |         |  |      |                 |   |                     |   |                          |   |                     |   |                          |

(continued)

| No.                   | Item   | Performance   | Test or inspection method   |   |             |  |  |         |                                      |         |           |  |         |                                      |         |            |                        |               |                        |                       |                        |               |  |  |
|-----------------------|--|---|---|---|-------------|--|--|---------|--------------------------------------|---------|-----------|--|---------|--------------------------------------|---------|------------|------------------------|---------------|------------------------|-----------------------|------------------------|---------------|--|--|
| 10                    | Solderability  | <p>New solder to cover over 75% of termination.</p> <p>25% may have pin holes or rough spots but not concentrated in one spot.</p> <p>Ceramic surface of A sections shall not be exposed due to melting or shifting of termination material.</p>   | <p>Solder : Sn-3.0Ag-0.5Cu or Sn-37Pb</p> <p>Flux : Isopropyl alcohol (JIS K 8839) Rosin (JIS K 5902) 25% solid solution.</p> <p>Solder temp. : 245±5°C (Sn-3.0Ag-0.5Cu)<br/>235±5°C (Sn-37Pb)</p> <p>Dwell time : 3±0.3s.(Sn-3.0Ag-0.5Cu)<br/>2±0.2s.(Sn-37Pb)</p> <p>Solder position : Until both terminations are completely soaked.</p> |   |             |  |  |         |                                      |         |           |  |         |                                      |         |            |                        |               |                        |                       |                        |               |  |  |
| 11                    | Resistance to solder heat  | <table border="1"> <tr> <td>External appearance</td> <td>No cracks are allowed and terminations shall be covered at least 60% with new solder.</td> </tr> <tr> <td>Capacitance</td> <td> <table border="1"> <thead> <tr> <th colspan="2">Characteristics</th> <th>Change from the value before test</th> </tr> </thead> <tbody> <tr> <td>Class 1</td> <td>C0G<br/>CH</td> <td>Capacitance drift within ±2.5% or ±0.25pF, whichever larger.</td> </tr> <tr> <td>Class 2</td> <td>X5R<br/>X6S<br/>X7R<br/>X7S<br/>X7T<br/>B</td> <td>± 7.5 %</td> </tr> </tbody> </table> </td> </tr> <tr> <td>Q (Class1)</td> <td>Meet the initial spec.</td> </tr> <tr> <td>D.F. (Class2)</td> <td>Meet the initial spec.</td> </tr> <tr> <td>Insulation Resistance</td> <td>Meet the initial spec.</td> </tr> <tr> <td>Voltage proof</td> <td>No insulation breakdown or other damage.</td> </tr> </table> | External appearance   | No cracks are allowed and terminations shall be covered at least 60% with new solder. | Capacitance | <table border="1"> <thead> <tr> <th colspan="2">Characteristics</th> <th>Change from the value before test</th> </tr> </thead> <tbody> <tr> <td>Class 1</td> <td>C0G<br/>CH</td> <td>Capacitance drift within ±2.5% or ±0.25pF, whichever larger.</td> </tr> <tr> <td>Class 2</td> <td>X5R<br/>X6S<br/>X7R<br/>X7S<br/>X7T<br/>B</td> <td>± 7.5 %</td> </tr> </tbody> </table> | Characteristics  |         | Change from the value before test    | Class 1 | C0G<br>CH | Capacitance drift within ±2.5% or ±0.25pF, whichever larger. | Class 2 | X5R<br>X6S<br>X7R<br>X7S<br>X7T<br>B | ± 7.5 % | Q (Class1) | Meet the initial spec. | D.F. (Class2) | Meet the initial spec. | Insulation Resistance | Meet the initial spec. | Voltage proof | No insulation breakdown or other damage. | <p>Solder : Sn-3.0Ag-0.5Cu or Sn-37Pb</p> <p>Flux : Isopropyl alcohol (JIS K 8839) Rosin (JIS K 5902) 25% solid solution.</p> <p>Solder temp. : 260±5°C</p> <p>Dwell time : 10±1s.</p> <p>Solder position : Until both terminations are completely soaked.</p> <p>Pre-heating : Temp. — 110~140°C<br/>Time — 30~60s.</p> <p>Leaving time : Class1 — 6~24h<br/>Class2 — 24±2h</p> |
| External appearance   | No cracks are allowed and terminations shall be covered at least 60% with new solder.  |   |   |   |             |  |  |         |                                      |         |           |  |         |                                      |         |            |                        |               |                        |                       |                        |               |  |  |
| Capacitance           | <table border="1"> <thead> <tr> <th colspan="2">Characteristics</th> <th>Change from the value before test</th> </tr> </thead> <tbody> <tr> <td>Class 1</td> <td>C0G<br/>CH</td> <td>Capacitance drift within ±2.5% or ±0.25pF, whichever larger.</td> </tr> <tr> <td>Class 2</td> <td>X5R<br/>X6S<br/>X7R<br/>X7S<br/>X7T<br/>B</td> <td>± 7.5 %</td> </tr> </tbody> </table> | Characteristics   |   | Change from the value before test   | Class 1     | C0G<br>CH  | Capacitance drift within ±2.5% or ±0.25pF, whichever larger. | Class 2 | X5R<br>X6S<br>X7R<br>X7S<br>X7T<br>B | ± 7.5 % |           |  |         |                                      |         |            |                        |               |                        |                       |                        |               |  |  |
| Characteristics       |  | Change from the value before test   |   |   |             |  |  |         |                                      |         |           |  |         |                                      |         |            |                        |               |                        |                       |                        |               |  |  |
| Class 1               | C0G<br>CH  | Capacitance drift within ±2.5% or ±0.25pF, whichever larger.  |   |   |             |  |  |         |                                      |         |           |  |         |                                      |         |            |                        |               |                        |                       |                        |               |  |  |
| Class 2               | X5R<br>X6S<br>X7R<br>X7S<br>X7T<br>B   | ± 7.5 %   |   |   |             |  |  |         |                                      |         |           |  |         |                                      |         |            |                        |               |                        |                       |                        |               |  |  |
| Q (Class1)            | Meet the initial spec.   |   |   |   |             |  |  |         |                                      |         |           |  |         |                                      |         |            |                        |               |                        |                       |                        |               |  |  |
| D.F. (Class2)         | Meet the initial spec.   |   |   |   |             |  |  |         |                                      |         |           |  |         |                                      |         |            |                        |               |                        |                       |                        |               |  |  |
| Insulation Resistance | Meet the initial spec.   |   |   |   |             |  |  |         |                                      |         |           |  |         |                                      |         |            |                        |               |                        |                       |                        |               |  |  |
| Voltage proof         | No insulation breakdown or other damage.   |   |   |   |             |  |  |         |                                      |         |           |  |         |                                      |         |            |                        |               |                        |                       |                        |               |  |  |

(continued)

| No.                   | Item                                     |                     | Performance                                   | Test or inspection method   |                                      |  |             |   |                        |        |   |               |       |   |                        |        |   |               |       |
|-----------------------|--|---------------------|---|---|--------------------------------------|--|-------------|---|------------------------|--------|---|---------------|-------|---|------------------------|--------|---|---------------|-------|
| 12                    | Vibration                                | External appearance | No mechanical damage.                         | Frequency : 10~55~10Hz<br>Reciprocating sweep time : 1 min.<br>Amplitude : 1.5mm<br>Repeat this for 2h each in 3 perpendicular directions(Total 6h).<br><br>Reflow solder the capacitors on a P.C.Board shown in Appendix 2 before testing.   |                                      |  |             |   |                        |        |   |               |       |   |                        |        |   |               |       |
|                       |  | Capacitance         | Characteristics                               |   | Change from the value before test    |  |             |   |                        |        |   |               |       |   |                        |        |   |               |       |
|                       |  |                     | Class1  |   | C0G<br>CH                            | ±2.5% or ±0.25pF,<br>whichever larger. |             |   |                        |        |   |               |       |   |                        |        |   |               |       |
|                       |  |                     | Class2  |   | X5R<br>X6S<br>X7R<br>X7S<br>X7T<br>B | ± 7.5 %                                |             |   |                        |        |   |               |       |   |                        |        |   |               |       |
|                       |  | Q<br>(Class1)       | Meet the initial spec.                        |   |                                      |  |             |   |                        |        |   |               |       |   |                        |        |   |               |       |
| D.F.<br>(Class2)      | Meet the initial spec.                   |                     |   |   |                                      |  |             |   |                        |        |   |               |       |   |                        |        |   |               |       |
| 13                    | Temperature cycle                        | External appearance | No mechanical damage.                         | Expose the capacitors in the condition step1 through step 4 listed in the following table.<br><br>Temp. cycle : 5 cycles<br><table border="1" data-bbox="986 1064 1477 1400"> <thead> <tr> <th>Step</th> <th>Temperature(°C)</th> <th>Time (min.)</th> </tr> </thead> <tbody> <tr> <td>1</td> <td>Min. operating temp.±3</td> <td>30 ± 3</td> </tr> <tr> <td>2</td> <td>Ambient Temp.</td> <td>2 ~ 5</td> </tr> <tr> <td>3</td> <td>Max. operating temp.±2</td> <td>30 ± 2</td> </tr> <tr> <td>4</td> <td>Ambient Temp.</td> <td>2 ~ 5</td> </tr> </tbody> </table><br>As for Min./Max operating temp., please refer to "3. OPERATING TEMPERATURE RANGE"<br><br>Leaving time : Class1 — 6~24h<br>Class2 — 24±2h<br><br>Reflow solder the capacitors on a P.C.Board shown in Appendix2 before testing. | Step                                 | Temperature(°C)                        | Time (min.) | 1 | Min. operating temp.±3 | 30 ± 3 | 2 | Ambient Temp. | 2 ~ 5 | 3 | Max. operating temp.±2 | 30 ± 2 | 4 | Ambient Temp. | 2 ~ 5 |
|                       |  | Step                | Temperature(°C)                               |   | Time (min.)                          |  |             |   |                        |        |   |               |       |   |                        |        |   |               |       |
|                       |  | 1                   | Min. operating temp.±3                        |   | 30 ± 3                               |  |             |   |                        |        |   |               |       |   |                        |        |   |               |       |
|                       |  | 2                   | Ambient Temp.                                 |   | 2 ~ 5                                |  |             |   |                        |        |   |               |       |   |                        |        |   |               |       |
|                       |  | 3                   | Max. operating temp.±2                        |   | 30 ± 2                               |  |             |   |                        |        |   |               |       |   |                        |        |   |               |       |
|                       |  | 4                   | Ambient Temp.                                 |   | 2 ~ 5                                |  |             |   |                        |        |   |               |       |   |                        |        |   |               |       |
|                       |  | Capacitance         | Characteristics                               |   | Change from the value before test    |  |             |   |                        |        |   |               |       |   |                        |        |   |               |       |
| Class1                | C0G<br>CH                                |                     | Please contact with our sales representative. |   |                                      |  |             |   |                        |        |   |               |       |   |                        |        |   |               |       |
| Class2                | X5R<br>X6S<br>X7R<br>X7S<br>X7T<br>B     |                     |   |   |                                      |  |             |   |                        |        |   |               |       |   |                        |        |   |               |       |
| Q<br>(Class1)         | Meet the initial spec.                   |                     |   |   |                                      |  |             |   |                        |        |   |               |       |   |                        |        |   |               |       |
| D.F.<br>(Class2)      | Meet the initial spec.                   |                     |   |   |                                      |  |             |   |                        |        |   |               |       |   |                        |        |   |               |       |
| Insulation Resistance | Meet the initial spec.                   |                     |   |   |                                      |  |             |   |                        |        |   |               |       |   |                        |        |   |               |       |
| Voltage proof         | No insulation breakdown or other damage. |                     |   |   |                                      |  |             |   |                        |        |   |               |       |   |                        |        |   |               |       |

(continued)

| No.                      | Item   |                     | Performance  | Test or inspection method  |                                   |   |                                   |            |               |   |        |                                      |
|--------------------------|--|---------------------|--|--|-----------------------------------|---|-----------------------------------|------------|---------------|---|--------|--------------------------------------|
| 14                       | Moisture Resistance<br>(Steady State)  | External appearance | No mechanical damage.  | Test temp. : 40±2°C<br>Test humidity : 90~95%RH<br>Test time : 500 +24,0h<br>Leaving time : Class1 — 6~24h<br>Class2 — 24±2h<br><br>Reflow solder the capacitors on a P.C.Board shown in Appendix2 before testing. |                                   |   |                                   |            |               |   |        |                                      |
|                          |  | Capacitance         | <table border="1"> <thead> <tr> <th colspan="2">Characteristics</th> <th>Change from the value before test</th> </tr> </thead> <tbody> <tr> <td>Class1</td> <td>C0G<br/>CH</td> <td rowspan="2">Please contact with our sales representative.</td> </tr> <tr> <td>Class2</td> <td>X5R<br/>X6S<br/>X7R<br/>X7S<br/>X7T<br/>B</td> </tr> </tbody> </table> |  | Characteristics                   |   | Change from the value before test | Class1     | C0G<br>CH     | Please contact with our sales representative. | Class2 | X5R<br>X6S<br>X7R<br>X7S<br>X7T<br>B |
|                          |  |                     | Characteristics  |  | Change from the value before test |   |                                   |            |               |   |        |                                      |
|                          |  |                     | Class1   |  | C0G<br>CH                         | Please contact with our sales representative. |                                   |            |               |   |        |                                      |
|                          |  | Class2              | X5R<br>X6S<br>X7R<br>X7S<br>X7T<br>B   |  |                                   |   |                                   |            |               |   |        |                                      |
| Q<br>(Class1)            | <table border="1"> <thead> <tr> <th>Capacitance</th> <th>Q</th> </tr> </thead> <tbody> <tr> <td>30pF and over</td> <td>350 min.</td> </tr> <tr> <td>10pF and over under 30pF</td> <td>275+5/2×C min.</td> </tr> <tr> <td>Under 10pF</td> <td>200+10×C min.</td> </tr> </tbody> </table> C : Rated capacitance (pF) | Capacitance         | Q  | 30pF and over  | 350 min.                          | 10pF and over under 30pF                      | 275+5/2×C min.                    | Under 10pF | 200+10×C min. |   |        |                                      |
|                          | Capacitance  | Q                   |  |  |                                   |   |                                   |            |               |   |        |                                      |
|                          | 30pF and over  | 350 min.            |  |  |                                   |   |                                   |            |               |   |        |                                      |
| 10pF and over under 30pF | 275+5/2×C min.   |                     |  |  |                                   |   |                                   |            |               |   |        |                                      |
| Under 10pF               | 200+10×C min.  |                     |  |  |                                   |   |                                   |            |               |   |        |                                      |
| D.F.<br>(Class2)         | 200% of initial spec. max.   |                     |  |  |                                   |   |                                   |            |               |   |        |                                      |
| Insulation Resistance    | Please refer to the TABLE A in the end of the specification.<br><br>SPEC type A :<br>1,000MΩ or 50MΩ·μF min.,<br>whichever smaller.<br><br>SPEC type B :<br>1,000 MΩ or 10MΩ·μF min.,<br>whichever smaller.  |                     |  |  |                                   |   |                                   |            |               |   |        |                                      |

(continued)

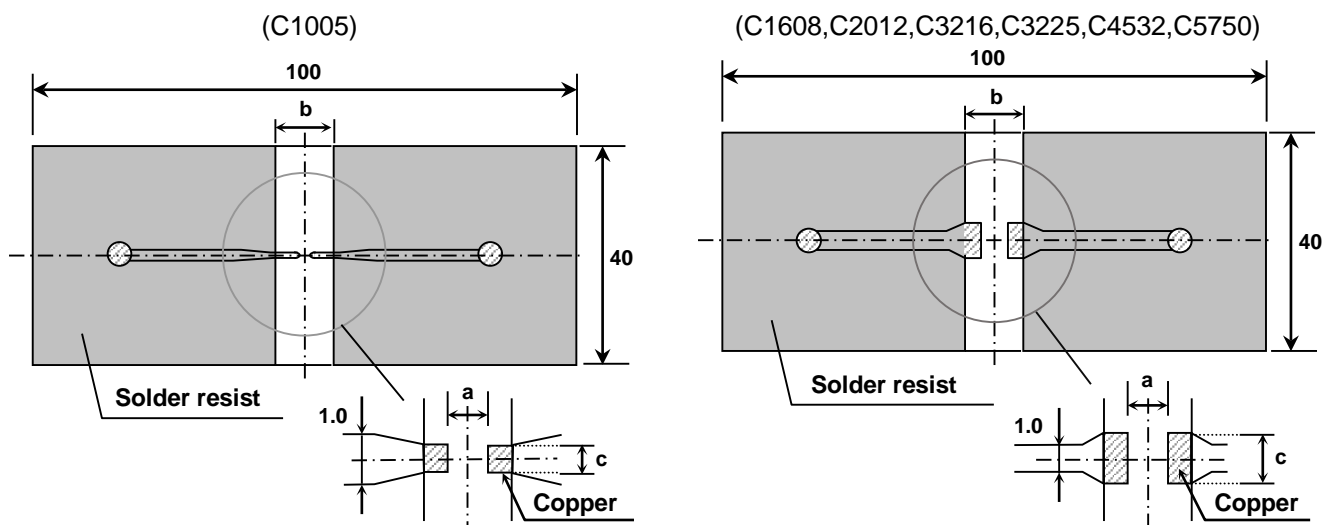
| No.                   | Item   |                     | Performance  | Test or inspection method  |   |            |                                   |        |           |        |                                      |   |
|-----------------------|--|---------------------|--|--|---|------------|-----------------------------------|--------|-----------|--------|--------------------------------------|---|
| 15                    | Moisture Resistance  | External appearance | No mechanical damage.  | Test temp. : $40\pm 2^{\circ}\text{C}$<br>Test humidity : 90~95%RH<br>Applied voltage : Rated voltage<br>Test time : 500 +24,0h<br>Charge/discharge current : 50mA or lower<br>Leaving time : Class1 — 6~24h<br>Class2 — 24 $\pm$ 2h<br><br>Reflow solder the capacitors on a P.C.Board shown in Appendix2 before testing.<br><br>Initial value setting (only for class 2)<br>Voltage conditioning «After voltage treat the capacitors under testing temperature and voltage for 1 hour,» leave the capacitors in ambient condition for 24 $\pm$ 2h before measurement.<br>Use this measurement for initial value. |   |            |                                   |        |           |        |                                      |   |
|                       |  | Capacitance         | <table border="1"> <thead> <tr> <th colspan="2">Characteristics</th> <th rowspan="2">Change from the value before test</th> </tr> </thead> <tbody> <tr> <td>Class1</td> <td>C0G<br/>CH</td> </tr> <tr> <td>Class2</td> <td>X5R<br/>X6S<br/>X7R<br/>X7S<br/>X7T<br/>B</td> <td>Please contact with our sales representative.</td> </tr> </tbody> </table> |  | Characteristics                               |            | Change from the value before test | Class1 | C0G<br>CH | Class2 | X5R<br>X6S<br>X7R<br>X7S<br>X7T<br>B | Please contact with our sales representative. |
|                       |  |                     | Characteristics  |  | Change from the value before test             |            |                                   |        |           |        |                                      |   |
|                       |  |                     | Class1   |  |   | C0G<br>CH  |                                   |        |           |        |                                      |   |
|                       |  | Class2              | X5R<br>X6S<br>X7R<br>X7S<br>X7T<br>B   |  | Please contact with our sales representative. |            |                                   |        |           |        |                                      |   |
| Q (Class1)            | <table border="1"> <thead> <tr> <th>Capacitance</th> <th>Q</th> </tr> </thead> <tbody> <tr> <td>30pF and over</td> <td>200 min.</td> </tr> <tr> <td>Under 30pF</td> <td>100+10/3xC min.</td> </tr> </tbody> </table> C : Rated capacitance (pF)                  | Capacitance         | Q  | 30pF and over  | 200 min.                                      | Under 30pF | 100+10/3xC min.                   |        |           |        |                                      |   |
|                       | Capacitance  | Q                   |  |  |   |            |                                   |        |           |        |                                      |   |
| 30pF and over         | 200 min.   |                     |  |  |   |            |                                   |        |           |        |                                      |   |
| Under 30pF            | 100+10/3xC min.  |                     |  |  |   |            |                                   |        |           |        |                                      |   |
| D.F. (Class2)         | 200% of initial spec. max.   |                     |  |  |   |            |                                   |        |           |        |                                      |   |
| Insulation Resistance | Please refer to the TABLE A in the end of the specification.<br><br>SPEC type A :<br>500M $\Omega$ or 25M $\Omega$ · $\mu\text{F}$ min.,<br>whichever smaller.<br><br>SPEC type B :<br>500 M $\Omega$ or 5M $\Omega$ · $\mu\text{F}$ min.,<br>whichever smaller. |                     |  |  |   |            |                                   |        |           |        |                                      |   |

(continued)

| No.                      | Item   | Performance         | Test or inspection method  |   |                                   |                                   |                |            |               |                                      |   |  |
|--------------------------|--|---------------------|--|---|-----------------------------------|-----------------------------------|----------------|------------|---------------|--------------------------------------|---|--|
| 16                       | Life   | External appearance | No mechanical damage.  |   |                                   |                                   |                |            |               |                                      |   |  |
|                          |  | Capacitance         | <table border="1"> <thead> <tr> <th colspan="2">Characteristics</th> <th rowspan="2">Change from the value before test</th> </tr> </thead> <tbody> <tr> <td>Class1</td> <td>C0G<br/>CH</td> </tr> <tr> <td>Class2</td> <td>X5R<br/>X6S<br/>X7R<br/>X7S<br/>X7T<br/>B</td> <td>Please contact with our sales representative.</td> </tr> </tbody> </table> | Characteristics                               |                                   | Change from the value before test | Class1         | C0G<br>CH  | Class2        | X5R<br>X6S<br>X7R<br>X7S<br>X7T<br>B | Please contact with our sales representative. | Test temp. : Maximum operating temperature $\pm 2^{\circ}\text{C}$<br>Applied voltage : Please contact with our sales representative.<br>Test time : 1,000 +48,0h<br>Charge/discharge current : 50mA or lower<br>Leaving time : Class1 — 6~24h<br>Class2 — 24 $\pm$ 2h<br><br>Reflow solder the capacitors on a P.C.Board shown in Appendix2 before testing. |
|                          |  |                     | Characteristics  |   | Change from the value before test |                                   |                |            |               |                                      |   |  |
|                          |  | Class1              | C0G<br>CH  |   |                                   |                                   |                |            |               |                                      |   |  |
|                          |  | Class2              | X5R<br>X6S<br>X7R<br>X7S<br>X7T<br>B   | Please contact with our sales representative. |                                   |                                   |                |            |               |                                      |   |  |
| Q (Class1)               | <table border="1"> <thead> <tr> <th>Capacitance</th> <th>Q</th> </tr> </thead> <tbody> <tr> <td>30pF and over</td> <td>350 min.</td> </tr> <tr> <td>10pF and over under 30pF</td> <td>275+5/2xC min.</td> </tr> <tr> <td>Under 10pF</td> <td>200+10xC min.</td> </tr> </tbody> </table> C : Rated capacitance (pF) | Capacitance         | Q  | 30pF and over                                 | 350 min.                          | 10pF and over under 30pF          | 275+5/2xC min. | Under 10pF | 200+10xC min. |                                      |   |  |
| Capacitance              | Q  |                     |  |   |                                   |                                   |                |            |               |                                      |   |  |
| 30pF and over            | 350 min.   |                     |  |   |                                   |                                   |                |            |               |                                      |   |  |
| 10pF and over under 30pF | 275+5/2xC min.   |                     |  |   |                                   |                                   |                |            |               |                                      |   |  |
| Under 10pF               | 200+10xC min.  |                     |  |   |                                   |                                   |                |            |               |                                      |   |  |
| D.F. (Class2)            | 200% of initial spec. max.   |                     |  |   |                                   |                                   |                |            |               |                                      |   |  |
| Insulation Resistance    | Please refer to the TABLE A in the end of the specification.<br><br>SPEC type A :<br>1,000M $\Omega$ or 50M $\Omega$ · $\mu\text{F}$ min., whichever smaller.<br><br>SPEC type B :<br>1,000 M $\Omega$ or 10M $\Omega$ · $\mu\text{F}$ min., whichever smaller.  |                     |  |   |                                   |                                   |                |            |               |                                      |   |  |

\*As for the initial measurement of capacitors (Class2) on number 7,11,12,13 and 14, leave capacitors at 150 0,-10°C for 1 hour and measure the value after leaving capacitors for 24  $\pm$  2h in ambient condition.

### Appendix1 P.C.Board for bending test



### Appendix2 P.C. Board for reliability test



\* It is recommended to provide a slit on P.C.Board for C3225,C4532 and C5750.

(Unit : mm)

| Symbol         | a   | b   | c    |
|----------------|-----|-----|------|
| C1005 [CC0402] | 0.4 | 1.5 | 0.5  |
| C1608 [CC0603] | 1.0 | 3.0 | 1.2  |
| C2012 [CC0805] | 1.2 | 4.0 | 1.65 |
| C3216 [CC1206] | 2.2 | 5.0 | 2.0  |
| C3225 [CC1210] | 2.2 | 5.0 | 2.9  |
| C4532 [CC1812] | 3.5 | 7.0 | 3.7  |
| C5750 [CC2220] | 4.5 | 8.0 | 5.6  |

1. Material : Glass Epoxy(As per JIS C6484 GE4)

2. Thickness : Appendix 1 — 0.8mm (C1005)  
 — 1.6mm (C1608,C2012,C3216,C3225,C4532,C5750)  
 : Appendix 2 — 1.6mm

Copper(Thickness:0.035mm)  
 Solder resist

## 8. INSIDE STRUCTURE AND MATERIAL



| No. | NAME        | MATERIAL           |                    |
|-----|-------------|--------------------|--------------------|
|     |             | Class1             | Class2             |
| 1   | Dielectric  | CaZrO <sub>3</sub> | BaTiO <sub>3</sub> |
| 2   | Electrode   | Nickel (Ni)        |                    |
| 3   | Termination | Copper (Cu)        |                    |
| 4   |             | Nickel (Ni)        |                    |
| 5   |             | Tin (Sn)           |                    |

## 9. PACKAGING

Packaging shall be done to protect the components from the damage during transportation and storing, and a label which has the following information shall be attached.

9.1 Each plastic bag for bulk packaging contains 1000pcs. And the minimum quantity for Bulk packaging is 1000pcs.

9.2 Tape packaging is as per 13. TAPE PACKAGING SPECIFICATION.

\*C1005[CC0402] type is applicable to tape packaging only.

- 1) Inspection No.\*
- 2) TDK P/N
- 3) Customer's P/N
- 4) Quantity

\*Composition of Inspection No.

Example    F 9 A - 23 - 001  
                   (a) (b) (c)    (d)    (e)

- (a) Line code
- (b) Last digit of the year
- (c) Month and A for January and B for February and so on. (Skip I)
- (d) Inspection Date of the month.
- (e) Serial No. of the day

\*Composition of new Inspection No.

(Will be implemented on and after May 1, 2019)

Example    

|   |   |   |   |   |   |   |   |   |   |
|---|---|---|---|---|---|---|---|---|---|
| I | F | 9 | E | 2 | 3 | A | 0 | 0 | 1 |
|---|---|---|---|---|---|---|---|---|---|

  
                   (a) (b) (c) (d)    (e)    (f)    (g)

- (a) Prefix
- (b) Line code
- (c) Last digit of the year
- (d) Month and A for January and B for February and so on. (Skip I)
- (e) Inspection Date of the month.
- (f) Serial No. of the day(00 ~ ZZ)
- (g) Suffix(00 ~ ZZ)

\*It is planned to shift to the new inspection No. on and after May 2019, but the implementation timing may be different depending on shipment bases.

Until the shift is completed, either current or new composition of inspection No. will be applied.

## 10. RECOMMENDATION

As for C3225[CC1210] and larger, It is recommended to provide a slit (about 1mm width) in the board under the components to improve washing Flux. And please make sure to dry detergent up completely before.

## 11. SOLDERING CONDITION

As for C1005[CC0402], C3225[CC1210] and larger, reflow soldering only.

## 12. CAUTION

| No.                                       | Process   | Condition   |   |                |                   |                |   |   |  |   |         |                       |                       |  |   |   |  |  |
|---|---|---|---|----------------|-------------------|----------------|---|---|--|---|---------|-----------------------|-----------------------|--|---|---|--|--|
| 1   | Operating Condition<br>(Storage, Use, Transportation)   | <p>1-1. Storage, Use</p> <ol style="list-style-type: none"> <li>1) The capacitors must be stored in an ambient temperature of 5 to 40°C with a relative humidity of 20 to 70%RH. The products should be used within 6 months upon receipt.</li> <li>2) The capacitors must be operated and stored in an environment free of dew condensation and these gases such as Hydrogen Sulphide, Hydrogen Sulphate, Chlorine, Ammonia and sulfur.</li> <li>3) Avoid storing in sun light and falling of dew.</li> <li>4) Do not use capacitors under high humidity and high and low atmospheric pressure which may affect capacitors reliability.</li> <li>5) Capacitors should be tested for the solderability when they are stored for long time.</li> </ol> <p>1-2. Handling in transportation</p> <p>In case of the transportation of the capacitors, the performance of the capacitors may be deteriorated depending on the transportation condition.<br/>           (Refer to JEITA RCR-2335C 9.2 Handling in transportation)</p>  |   |                |                   |                |   |   |  |   |         |                       |                       |  |   |   |  |  |
| 2   | Circuit design<br> Caution | <p>2-1. Operating temperature</p> <p>Operating temperature should be followed strictly within this specification, especially be careful with maximum temperature.</p> <ol style="list-style-type: none"> <li>1) Do not use capacitors above the maximum allowable operating temperature.</li> <li>2) Surface temperature including self heating should be below maximum operating temperature.<br/>           (Due to dielectric loss, capacitors will heat itself when AC is applied. Especially at high frequencies around its SRF, the heat might be so extreme that it may damage itself or the product mounted on. Please design the circuit so that the maximum temperature of the capacitors including the self heating to be below the maximum allowable operating temperature. Temperature rise at capacitor surface shall be below 20°C)</li> <li>3) The electrical characteristics of the capacitors will vary depending on the temperature. The capacitors should be selected and designed in taking the temperature into consideration.</li> </ol> <p>2-2. Operating voltage</p> <ol style="list-style-type: none"> <li>1) Operating voltage across the terminals should be below the rated voltage.<br/>           When AC and DC are super imposed, <math>V_{0-P}</math> must be below the rated voltage.<br/>           — (1) and (2)<br/>           AC or pulse with overshooting, <math>V_{P-P}</math> must be below the rated voltage.<br/>           — (3), (4) and (5)<br/>           When the voltage is started to apply to the circuit or it is stopped applying, the irregular voltage may be generated for a transit period because of resonance or switching. Be sure to use the capacitors within rated voltage containing these Irregular voltage.</li> </ol> <table border="1" data-bbox="459 1469 1445 2063"> <thead> <tr> <th data-bbox="459 1469 660 1514">Voltage</th> <th data-bbox="660 1469 922 1514">(1) DC voltage</th> <th data-bbox="922 1469 1184 1514">(2) DC+AC voltage</th> <th data-bbox="1184 1469 1445 1514">(3) AC voltage</th> </tr> </thead> <tbody> <tr> <td data-bbox="459 1514 660 1742">           Positional Measurement<br/>           (Rated voltage)         </td> <td data-bbox="660 1514 922 1742">  </td> <td data-bbox="922 1514 1184 1742">  </td> <td data-bbox="1184 1514 1445 1742">  </td> </tr> <tr> <th data-bbox="459 1771 660 1816">Voltage</th> <th data-bbox="660 1771 922 1816">(4) Pulse voltage (A)</th> <th data-bbox="922 1771 1184 1816">(5) Pulse voltage (B)</th> <th></th> </tr> <tr> <td data-bbox="459 1816 660 2063">           Positional Measurement<br/>           (Rated voltage)         </td> <td data-bbox="660 1816 922 2063">  </td> <td data-bbox="922 1816 1184 2063">  </td> <td></td> </tr> </tbody> </table> | Voltage   | (1) DC voltage | (2) DC+AC voltage | (3) AC voltage | Positional Measurement<br>(Rated voltage) |  |  |  | Voltage | (4) Pulse voltage (A) | (5) Pulse voltage (B) |  | Positional Measurement<br>(Rated voltage) |  |  |  |
| Voltage                                   | (1) DC voltage  | (2) DC+AC voltage   | (3) AC voltage  |                |                   |                |   |   |  |   |         |                       |                       |  |   |   |  |  |
| Positional Measurement<br>(Rated voltage) |                          |   |  |                |                   |                |   |   |  |   |         |                       |                       |  |   |   |  |  |
| Voltage                                   | (4) Pulse voltage (A)   | (5) Pulse voltage (B)   |   |                |                   |                |   |   |  |   |         |                       |                       |  |   |   |  |  |
| Positional Measurement<br>(Rated voltage) |                          |   |   |                |                   |                |   |   |  |   |         |                       |                       |  |   |   |  |  |

| No.       | Process                     | Condition  |                   |                   |                   |                   |        |  |  |  |   |           |           |           |   |           |           |           |   |           |           |           |           |                   |                   |                   |                   |        |  |  |  |  |   |           |           |           |           |   |             |           |           |           |   |           |           |           |           |           |                   |                   |                   |        |  |  |  |   |           |           |           |   |           |           |           |   |           |           |           |
|-----------|-----------------------------|--|-------------------|-------------------|-------------------|-------------------|--------|--|--|--|---|-----------|-----------|-----------|---|-----------|-----------|-----------|---|-----------|-----------|-----------|-----------|-------------------|-------------------|-------------------|-------------------|--------|--|--|--|--|---|-----------|-----------|-----------|-----------|---|-------------|-----------|-----------|-----------|---|-----------|-----------|-----------|-----------|-----------|-------------------|-------------------|-------------------|--------|--|--|--|---|-----------|-----------|-----------|---|-----------|-----------|-----------|---|-----------|-----------|-----------|
| 2         | Circuit design<br>⚠ Caution | <p>2) Even below the rated voltage, if repetitive high frequency AC or pulse is applied, the reliability of the capacitors may be reduced.</p> <p>3) The effective capacitance will vary depending on applied DC and AC voltages. The capacitors should be selected and designed in taking the voltages into consideration.</p> <p>2-3. Frequency<br/>When the capacitors (Class 2) are used in AC and/or pulse voltages, the capacitors may vibrate themselves and generate audible sound.</p>  |                   |                   |                   |                   |        |  |  |  |   |           |           |           |   |           |           |           |   |           |           |           |           |                   |                   |                   |                   |        |  |  |  |  |   |           |           |           |           |   |             |           |           |           |   |           |           |           |           |           |                   |                   |                   |        |  |  |  |   |           |           |           |   |           |           |           |   |           |           |           |
| 3         | Designing<br>P.C.board      | <p>The amount of solder at the terminations has a direct effect on the reliability of the capacitors.</p> <p>1) The greater the amount of solder, the higher the stress on the chip capacitors, and the more likely that it will break. When designing a P.C.board, determine the shape and size of the solder lands to have proper amount of solder on the terminations.</p> <p>2) Avoid using common solder land for multiple terminations and provide individual solder land for each terminations.</p> <p>3) Size and recommended land dimensions.</p> <div data-bbox="654 851 1372 1131" style="text-align: center;"> </div> <p style="text-align: center;">Flow soldering (Unit : mm)</p> <table border="1" style="width: 100%; border-collapse: collapse; text-align: center;"> <thead> <tr> <th style="border: none;">Case size</th> <th>C1608<br/>[CC0603]</th> <th>C2012<br/>[CC0805]</th> <th>C3216<br/>[CC1206]</th> </tr> </thead> <tbody> <tr> <td style="border: none;">Symbol</td> <td></td> <td></td> <td></td> </tr> <tr> <td style="border: none;">A</td> <td>0.7 ~ 1.0</td> <td>1.0 ~ 1.3</td> <td>2.1 ~ 2.5</td> </tr> <tr> <td style="border: none;">B</td> <td>0.8 ~ 1.0</td> <td>1.0 ~ 1.2</td> <td>1.1 ~ 1.3</td> </tr> <tr> <td style="border: none;">C</td> <td>0.6 ~ 0.8</td> <td>0.8 ~ 1.1</td> <td>1.0 ~ 1.3</td> </tr> </tbody> </table> <p style="text-align: center;">Reflow soldering (Unit : mm)</p> <table border="1" style="width: 100%; border-collapse: collapse; text-align: center;"> <thead> <tr> <th style="border: none;">Case size</th> <th>C1005<br/>[CC0402]</th> <th>C1608<br/>[CC0603]</th> <th>C2012<br/>[CC0805]</th> <th>C3216<br/>[CC1206]</th> </tr> </thead> <tbody> <tr> <td style="border: none;">Symbol</td> <td></td> <td></td> <td></td> <td></td> </tr> <tr> <td style="border: none;">A</td> <td>0.3 ~ 0.5</td> <td>0.6 ~ 0.8</td> <td>0.9 ~ 1.2</td> <td>2.0 ~ 2.4</td> </tr> <tr> <td style="border: none;">B</td> <td>0.35 ~ 0.45</td> <td>0.6 ~ 0.8</td> <td>0.7 ~ 0.9</td> <td>1.0 ~ 1.2</td> </tr> <tr> <td style="border: none;">C</td> <td>0.4 ~ 0.6</td> <td>0.6 ~ 0.8</td> <td>0.9 ~ 1.2</td> <td>1.1 ~ 1.6</td> </tr> </tbody> </table> <table border="1" style="width: 100%; border-collapse: collapse; text-align: center; margin-top: 10px;"> <thead> <tr> <th style="border: none;">Case size</th> <th>C3225<br/>[CC1210]</th> <th>C4532<br/>[CC1812]</th> <th>C5750<br/>[CC2220]</th> </tr> </thead> <tbody> <tr> <td style="border: none;">Symbol</td> <td></td> <td></td> <td></td> </tr> <tr> <td style="border: none;">A</td> <td>2.0 ~ 2.4</td> <td>3.1 ~ 3.7</td> <td>4.1 ~ 4.8</td> </tr> <tr> <td style="border: none;">B</td> <td>1.0 ~ 1.2</td> <td>1.2 ~ 1.4</td> <td>1.2 ~ 1.4</td> </tr> <tr> <td style="border: none;">C</td> <td>1.9 ~ 2.5</td> <td>2.4 ~ 3.2</td> <td>4.0 ~ 5.0</td> </tr> </tbody> </table> | Case size         | C1608<br>[CC0603] | C2012<br>[CC0805] | C3216<br>[CC1206] | Symbol |  |  |  | A | 0.7 ~ 1.0 | 1.0 ~ 1.3 | 2.1 ~ 2.5 | B | 0.8 ~ 1.0 | 1.0 ~ 1.2 | 1.1 ~ 1.3 | C | 0.6 ~ 0.8 | 0.8 ~ 1.1 | 1.0 ~ 1.3 | Case size | C1005<br>[CC0402] | C1608<br>[CC0603] | C2012<br>[CC0805] | C3216<br>[CC1206] | Symbol |  |  |  |  | A | 0.3 ~ 0.5 | 0.6 ~ 0.8 | 0.9 ~ 1.2 | 2.0 ~ 2.4 | B | 0.35 ~ 0.45 | 0.6 ~ 0.8 | 0.7 ~ 0.9 | 1.0 ~ 1.2 | C | 0.4 ~ 0.6 | 0.6 ~ 0.8 | 0.9 ~ 1.2 | 1.1 ~ 1.6 | Case size | C3225<br>[CC1210] | C4532<br>[CC1812] | C5750<br>[CC2220] | Symbol |  |  |  | A | 2.0 ~ 2.4 | 3.1 ~ 3.7 | 4.1 ~ 4.8 | B | 1.0 ~ 1.2 | 1.2 ~ 1.4 | 1.2 ~ 1.4 | C | 1.9 ~ 2.5 | 2.4 ~ 3.2 | 4.0 ~ 5.0 |
| Case size | C1608<br>[CC0603]           | C2012<br>[CC0805]  | C3216<br>[CC1206] |                   |                   |                   |        |  |  |  |   |           |           |           |   |           |           |           |   |           |           |           |           |                   |                   |                   |                   |        |  |  |  |  |   |           |           |           |           |   |             |           |           |           |   |           |           |           |           |           |                   |                   |                   |        |  |  |  |   |           |           |           |   |           |           |           |   |           |           |           |
| Symbol    |                             |  |                   |                   |                   |                   |        |  |  |  |   |           |           |           |   |           |           |           |   |           |           |           |           |                   |                   |                   |                   |        |  |  |  |  |   |           |           |           |           |   |             |           |           |           |   |           |           |           |           |           |                   |                   |                   |        |  |  |  |   |           |           |           |   |           |           |           |   |           |           |           |
| A         | 0.7 ~ 1.0                   | 1.0 ~ 1.3  | 2.1 ~ 2.5         |                   |                   |                   |        |  |  |  |   |           |           |           |   |           |           |           |   |           |           |           |           |                   |                   |                   |                   |        |  |  |  |  |   |           |           |           |           |   |             |           |           |           |   |           |           |           |           |           |                   |                   |                   |        |  |  |  |   |           |           |           |   |           |           |           |   |           |           |           |
| B         | 0.8 ~ 1.0                   | 1.0 ~ 1.2  | 1.1 ~ 1.3         |                   |                   |                   |        |  |  |  |   |           |           |           |   |           |           |           |   |           |           |           |           |                   |                   |                   |                   |        |  |  |  |  |   |           |           |           |           |   |             |           |           |           |   |           |           |           |           |           |                   |                   |                   |        |  |  |  |   |           |           |           |   |           |           |           |   |           |           |           |
| C         | 0.6 ~ 0.8                   | 0.8 ~ 1.1  | 1.0 ~ 1.3         |                   |                   |                   |        |  |  |  |   |           |           |           |   |           |           |           |   |           |           |           |           |                   |                   |                   |                   |        |  |  |  |  |   |           |           |           |           |   |             |           |           |           |   |           |           |           |           |           |                   |                   |                   |        |  |  |  |   |           |           |           |   |           |           |           |   |           |           |           |
| Case size | C1005<br>[CC0402]           | C1608<br>[CC0603]  | C2012<br>[CC0805] | C3216<br>[CC1206] |                   |                   |        |  |  |  |   |           |           |           |   |           |           |           |   |           |           |           |           |                   |                   |                   |                   |        |  |  |  |  |   |           |           |           |           |   |             |           |           |           |   |           |           |           |           |           |                   |                   |                   |        |  |  |  |   |           |           |           |   |           |           |           |   |           |           |           |
| Symbol    |                             |  |                   |                   |                   |                   |        |  |  |  |   |           |           |           |   |           |           |           |   |           |           |           |           |                   |                   |                   |                   |        |  |  |  |  |   |           |           |           |           |   |             |           |           |           |   |           |           |           |           |           |                   |                   |                   |        |  |  |  |   |           |           |           |   |           |           |           |   |           |           |           |
| A         | 0.3 ~ 0.5                   | 0.6 ~ 0.8  | 0.9 ~ 1.2         | 2.0 ~ 2.4         |                   |                   |        |  |  |  |   |           |           |           |   |           |           |           |   |           |           |           |           |                   |                   |                   |                   |        |  |  |  |  |   |           |           |           |           |   |             |           |           |           |   |           |           |           |           |           |                   |                   |                   |        |  |  |  |   |           |           |           |   |           |           |           |   |           |           |           |
| B         | 0.35 ~ 0.45                 | 0.6 ~ 0.8  | 0.7 ~ 0.9         | 1.0 ~ 1.2         |                   |                   |        |  |  |  |   |           |           |           |   |           |           |           |   |           |           |           |           |                   |                   |                   |                   |        |  |  |  |  |   |           |           |           |           |   |             |           |           |           |   |           |           |           |           |           |                   |                   |                   |        |  |  |  |   |           |           |           |   |           |           |           |   |           |           |           |
| C         | 0.4 ~ 0.6                   | 0.6 ~ 0.8  | 0.9 ~ 1.2         | 1.1 ~ 1.6         |                   |                   |        |  |  |  |   |           |           |           |   |           |           |           |   |           |           |           |           |                   |                   |                   |                   |        |  |  |  |  |   |           |           |           |           |   |             |           |           |           |   |           |           |           |           |           |                   |                   |                   |        |  |  |  |   |           |           |           |   |           |           |           |   |           |           |           |
| Case size | C3225<br>[CC1210]           | C4532<br>[CC1812]  | C5750<br>[CC2220] |                   |                   |                   |        |  |  |  |   |           |           |           |   |           |           |           |   |           |           |           |           |                   |                   |                   |                   |        |  |  |  |  |   |           |           |           |           |   |             |           |           |           |   |           |           |           |           |           |                   |                   |                   |        |  |  |  |   |           |           |           |   |           |           |           |   |           |           |           |
| Symbol    |                             |  |                   |                   |                   |                   |        |  |  |  |   |           |           |           |   |           |           |           |   |           |           |           |           |                   |                   |                   |                   |        |  |  |  |  |   |           |           |           |           |   |             |           |           |           |   |           |           |           |           |           |                   |                   |                   |        |  |  |  |   |           |           |           |   |           |           |           |   |           |           |           |
| A         | 2.0 ~ 2.4                   | 3.1 ~ 3.7  | 4.1 ~ 4.8         |                   |                   |                   |        |  |  |  |   |           |           |           |   |           |           |           |   |           |           |           |           |                   |                   |                   |                   |        |  |  |  |  |   |           |           |           |           |   |             |           |           |           |   |           |           |           |           |           |                   |                   |                   |        |  |  |  |   |           |           |           |   |           |           |           |   |           |           |           |
| B         | 1.0 ~ 1.2                   | 1.2 ~ 1.4  | 1.2 ~ 1.4         |                   |                   |                   |        |  |  |  |   |           |           |           |   |           |           |           |   |           |           |           |           |                   |                   |                   |                   |        |  |  |  |  |   |           |           |           |           |   |             |           |           |           |   |           |           |           |           |           |                   |                   |                   |        |  |  |  |   |           |           |           |   |           |           |           |   |           |           |           |
| C         | 1.9 ~ 2.5                   | 2.4 ~ 3.2  | 4.0 ~ 5.0         |                   |                   |                   |        |  |  |  |   |           |           |           |   |           |           |           |   |           |           |           |           |                   |                   |                   |                   |        |  |  |  |  |   |           |           |           |           |   |             |           |           |           |   |           |           |           |           |           |                   |                   |                   |        |  |  |  |   |           |           |           |   |           |           |           |   |           |           |           |

| No.                          | Process             | Condition   |   |
|------------------------------|---------------------|---|---|
| 3                            | Designing P.C.board | 4) Recommended chip capacitors layout is as following.  |   |
|                              |                     | Disadvantage against bending stress   | Advantage against bending stress  |
| Mounting face                |                     | <p>Perforation or slit</p>  <p>Break P.C.board with mounted side up.</p>        | <p>Perforation or slit</p>  <p>Break P.C.board with mounted side down.</p>     |
| Chip arrangement (Direction) |                     | <p>Mount perpendicularly to perforation or slit</p> <p>Perforation or slit</p>  | <p>Mount in parallel with perforation or slit</p> <p>Perforation or slit</p>  |
| Distance from slit           |                     | <p>Closer to slit is higher stress</p>  <p>( <math>l_1 &lt; l_2</math> )</p>   | <p>Away from slit is less stress</p>  <p>( <math>l_1 &lt; l_2</math> )</p>   |

| No.                      | Process   | Condition  |   |
|--------------------------|---|--|---|
| 3                        | Designing P.C.board   | <p>5) Mechanical stress varies according to location of chip capacitors on the P.C.board.</p>  <p>The stress in capacitors is in the following order.<br/> <math>A &gt; B = C &gt; D &gt; E</math></p> |   |
| 6) Layout recommendation |   |  |   |
| Example                  | Use of common solder land   | Soldering with chassis   | Use of common solder land with other SMD  |
| Need to avoid            |  |    |  |
| Recommendation           |  |  <p><math>l_2 &gt; l_1</math></p>  |  |

| No.                                      | Process   | Condition  |  |                 |             |                       |  |   |                       |   |  |  |  |   |            |   |            |   |                              |
|--|---|--|--|-----------------|-------------|-----------------------|--|---|-----------------------|---|--|--|--|---|------------|---|------------|---|------------------------------|
| 4  | Mounting  | <p>4-1. Stress from mounting head</p> <p>If the mounting head is adjusted too low, it may induce excessive stress in the chip capacitors to result in cracking. Please take following precautions.</p> <ol style="list-style-type: none"> <li>1) Adjust the bottom dead center of the mounting head to reach on the P.C.board surface and not press it.</li> <li>2) Adjust the mounting head pressure to be 1 to 3N of static weight.</li> <li>3) To minimize the impact energy from mounting head, it is important to provide support from the bottom side of the P.C.board. See following examples.</li> </ol> <table border="1" style="width: 100%; border-collapse: collapse;"> <thead> <tr> <th style="width: 30%;"></th> <th style="width: 35%;">Not recommended</th> <th style="width: 35%;">Recommended</th> </tr> </thead> <tbody> <tr> <td style="text-align: center; vertical-align: middle;">Single-sided mounting</td> <td style="text-align: center;">  </td> <td style="text-align: center;">  </td> </tr> <tr> <td style="text-align: center; vertical-align: middle;">Double-sides mounting</td> <td style="text-align: center;">  </td> <td style="text-align: center;">  </td> </tr> </tbody> </table> <p>When the centering jaw is worn out, it may give mechanical impact on the capacitors to cause crack. Please control the close up dimension of the centering jaw and provide sufficient preventive maintenance and replacement of it.</p> <p>4-2. Amount of adhesive</p> <div style="text-align: center;">  </div> <table border="1" style="width: 100%; border-collapse: collapse; margin-top: 10px;"> <tr> <td colspan="2" style="text-align: center;">Example : C2012 [CC0805], C3216 [CC1206]</td> </tr> <tr> <td style="text-align: center;">a</td> <td style="text-align: center;">0.2mm min.</td> </tr> <tr> <td style="text-align: center;">b</td> <td style="text-align: center;">70 ~ 100μm</td> </tr> <tr> <td style="text-align: center;">c</td> <td style="text-align: center;">Do not touch the solder land</td> </tr> </table> |  | Not recommended | Recommended | Single-sided mounting |  |  | Double-sides mounting |  |  | Example : C2012 [CC0805], C3216 [CC1206] |  | a | 0.2mm min. | b | 70 ~ 100μm | c | Do not touch the solder land |
|  | Not recommended   | Recommended  |  |                 |             |                       |  |   |                       |   |  |  |  |   |            |   |            |   |                              |
| Single-sided mounting                    |   |   |  |                 |             |                       |  |   |                       |   |  |  |  |   |            |   |            |   |                              |
| Double-sides mounting                    |  |    |  |                 |             |                       |  |   |                       |   |  |  |  |   |            |   |            |   |                              |
| Example : C2012 [CC0805], C3216 [CC1206] |   |  |  |                 |             |                       |  |   |                       |   |  |  |  |   |            |   |            |   |                              |
| a  | 0.2mm min.  |  |  |                 |             |                       |  |   |                       |   |  |  |  |   |            |   |            |   |                              |
| b  | 70 ~ 100μm  |  |  |                 |             |                       |  |   |                       |   |  |  |  |   |            |   |            |   |                              |
| c  | Do not touch the solder land  |  |  |                 |             |                       |  |   |                       |   |  |  |  |   |            |   |            |   |                              |


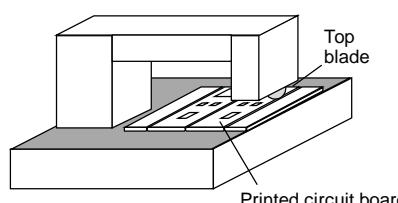
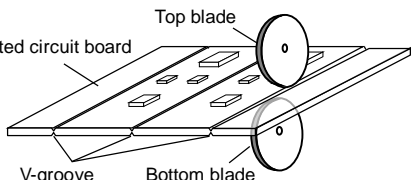
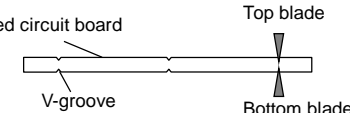
| No.              | Process        | Condition   |                |                  |  |                  |  |               |                |               |                |              |          |        |          |         |                  |          |        |          |         |
|------------------|----------------|---|----------------|------------------|--|------------------|--|---------------|----------------|---------------|----------------|--------------|----------|--------|----------|---------|------------------|----------|--------|----------|---------|
| 5                | Soldering      | <p>5-1. Flux selection<br/>Flux can seriously affect the performance of capacitors. Confirm the following to select the appropriate flux.</p> <ol style="list-style-type: none"> <li>1) It is recommended to use a mildly activated rosin flux (less than 0.1wt% chlorine). Strong flux is not recommended.</li> <li>2) Excessive flux must be avoided. Please provide proper amount of flux.</li> <li>3) When water-soluble flux is used, enough washing is necessary.</li> </ol> <p>5-2. Recommended soldering profile by various methods</p> <div style="display: flex; justify-content: space-around;"> <div style="text-align: center;"> <p><b>Wave soldering</b></p> </div> <div style="text-align: center;"> <p><b>Reflow soldering</b></p> </div> </div> <div style="text-align: center; margin-top: 20px;"> <p><b>Manual soldering (Solder iron)</b></p> </div> <div style="margin-top: 20px;"> <p><u>APPLICATION</u><br/>As for C1608 [CC0603], C2012 [CC0805] and C3216 [CC1206], applied to wave soldering and reflow soldering.<br/>As for other case sizes, applied only to reflow soldering.</p> </div> <p>*As for peak temperature of manual soldering, please refer "5-6. Solder repair by solder iron" .</p> <p>5-3. Recommended soldering peak temp and peak temp duration</p> <table border="1" style="width: 100%; border-collapse: collapse;"> <thead> <tr> <th rowspan="2" style="text-align: center;">Temp./Duration</th> <th colspan="2" style="text-align: center;">Wave soldering</th> <th colspan="2" style="text-align: center;">Reflow soldering</th> </tr> <tr> <th style="text-align: center;">Peak temp(°C)</th> <th style="text-align: center;">Duration(sec.)</th> <th style="text-align: center;">Peak temp(°C)</th> <th style="text-align: center;">Duration(sec.)</th> </tr> </thead> <tbody> <tr> <td style="text-align: center;">Sn-Pb Solder</td> <td style="text-align: center;">250 max.</td> <td style="text-align: center;">3 max.</td> <td style="text-align: center;">230 max.</td> <td style="text-align: center;">20 max.</td> </tr> <tr> <td style="text-align: center;">Lead Free Solder</td> <td style="text-align: center;">260 max.</td> <td style="text-align: center;">5 max.</td> <td style="text-align: center;">260 max.</td> <td style="text-align: center;">10 max.</td> </tr> </tbody> </table> <p>Recommended solder compositions<br/>Lead Free Solder : Sn-3.0Ag-0.5Cu<br/>Sn-Pb Solder : Sn-37Pb</p> | Temp./Duration | Wave soldering   |  | Reflow soldering |  | Peak temp(°C) | Duration(sec.) | Peak temp(°C) | Duration(sec.) | Sn-Pb Solder | 250 max. | 3 max. | 230 max. | 20 max. | Lead Free Solder | 260 max. | 5 max. | 260 max. | 10 max. |
| Temp./Duration   | Wave soldering |   |                | Reflow soldering |  |                  |  |               |                |               |                |              |          |        |          |         |                  |          |        |          |         |
|                  | Peak temp(°C)  | Duration(sec.)  | Peak temp(°C)  | Duration(sec.)   |  |                  |  |               |                |               |                |              |          |        |          |         |                  |          |        |          |         |
| Sn-Pb Solder     | 250 max.       | 3 max.  | 230 max.       | 20 max.          |  |                  |  |               |                |               |                |              |          |        |          |         |                  |          |        |          |         |
| Lead Free Solder | 260 max.       | 5 max.  | 260 max.       | 10 max.          |  |                  |  |               |                |               |                |              |          |        |          |         |                  |          |        |          |         |

| No.   | Process  | Condition  |             |            |            |                |   |                     |                  |  |                     |   |                     |                  |  |                     |   |                     |                  |   |  |          |  |                                  |                     |  |   |   |  |  |  |  |           |            |                 |             |            |  |          |        |         |            |   |          |
|---|--|--|-------------|------------|------------|----------------|---|---------------------|------------------|--|---------------------|---|---------------------|------------------|--|---------------------|---|---------------------|------------------|---|--|----------|--|----------------------------------|---------------------|--|---|---|--|--|--|--|-----------|------------|-----------------|-------------|------------|--|----------|--------|---------|------------|---|----------|
| 5   | Soldering  | <p>5-4. Avoiding thermal shock</p> <p>1) Preheating condition</p> <table border="1"> <thead> <tr> <th>Soldering</th> <th>Case size</th> <th>Temp. (°C)</th> </tr> </thead> <tbody> <tr> <td>Wave soldering</td> <td>C1608[CC0603], C2012[CC0805], C3216[CC1206]</td> <td><math>\Delta T \leq 150</math></td> </tr> <tr> <td rowspan="2">Reflow soldering</td> <td>C1005[CC0402], C1608[CC0603], C2012[CC0805], C3216[CC1206]</td> <td><math>\Delta T \leq 150</math></td> </tr> <tr> <td>C3225[CC1210], C4532[CC1812], C5750[CC2220]</td> <td><math>\Delta T \leq 130</math></td> </tr> <tr> <td rowspan="2">Manual soldering</td> <td>C1005[CC0402], C1608[CC0603], C2012[CC0805], C3216[CC1206]</td> <td><math>\Delta T \leq 150</math></td> </tr> <tr> <td>C3225[CC1210], C4532[CC1812], C5750[CC2220]</td> <td><math>\Delta T \leq 130</math></td> </tr> </tbody> </table> <p>2) Cooling condition<br/>Natural cooling using air is recommended. If the chips are dipped into a solvent for cleaning, the temperature difference (<math>\Delta T</math>) must be less than 100°C.</p> <p>5-5. Amount of solder<br/>Excessive solder will induce higher tensile force in chip capacitors when temperature changes and it may result in chip cracking. In sufficient solder may detach the capacitors from the P.C.board.</p> <table border="1"> <tbody> <tr> <td>Excessive solder</td> <td></td> <td>Higher tensile force in chip capacitors to cause crack</td> </tr> <tr> <td>Adequate</td> <td></td> <td>Maximum amount<br/>Minimum amount</td> </tr> <tr> <td>Insufficient solder</td> <td></td> <td>Low robustness may cause contact failure or chip capacitors come off the P.C.board.</td> </tr> </tbody> </table> <p>5-6. Solder repair by solder iron</p> <p>1) Selection of the soldering iron tip<br/>Tip temperature of solder iron varies by its type, P.C.board material and solder land size. The higher the tip temperature, the quicker the operation. However, heat shock may cause a crack in the chip capacitors. Please make sure the tip temp. before soldering and keep the peak temp and time in accordance with following recommended condition.</p> <table border="1"> <thead> <tr> <th colspan="5">Recommended solder iron condition (Sn-Pb Solder and Lead Free Solder)</th> </tr> <tr> <th>Case size</th> <th>Temp. (°C)</th> <th>Duration (sec.)</th> <th>Wattage (W)</th> <th>Shape (mm)</th> </tr> </thead> <tbody> <tr> <td>C1005[CC0402]<br/>C1608[CC0603]<br/>C2012[CC0805]<br/>C3216[CC1206]</td> <td>350 max.</td> <td rowspan="2">3 max.</td> <td rowspan="2">20 max.</td> <td rowspan="2">∅ 3.0 max.</td> </tr> <tr> <td>C3225[CC1210]<br/>C4532[CC1812]<br/>C5750[CC2220]</td> <td>280 max.</td> </tr> </tbody> </table> <p>* Please preheat the chip capacitors with the condition in 5-4 to avoid the thermal shock.</p> <p>2) Direct contact of the soldering iron with ceramic dielectric of chip capacitors may cause crack. Do not touch the ceramic dielectric and the terminations by solder iron.</p> | Soldering   | Case size  | Temp. (°C) | Wave soldering | C1608[CC0603], C2012[CC0805], C3216[CC1206] | $\Delta T \leq 150$ | Reflow soldering | C1005[CC0402], C1608[CC0603], C2012[CC0805], C3216[CC1206] | $\Delta T \leq 150$ | C3225[CC1210], C4532[CC1812], C5750[CC2220] | $\Delta T \leq 130$ | Manual soldering | C1005[CC0402], C1608[CC0603], C2012[CC0805], C3216[CC1206] | $\Delta T \leq 150$ | C3225[CC1210], C4532[CC1812], C5750[CC2220] | $\Delta T \leq 130$ | Excessive solder |  | Higher tensile force in chip capacitors to cause crack | Adequate |  | Maximum amount<br>Minimum amount | Insufficient solder |  | Low robustness may cause contact failure or chip capacitors come off the P.C.board. | Recommended solder iron condition (Sn-Pb Solder and Lead Free Solder) |  |  |  |  | Case size | Temp. (°C) | Duration (sec.) | Wattage (W) | Shape (mm) | C1005[CC0402]<br>C1608[CC0603]<br>C2012[CC0805]<br>C3216[CC1206] | 350 max. | 3 max. | 20 max. | ∅ 3.0 max. | C3225[CC1210]<br>C4532[CC1812]<br>C5750[CC2220] | 280 max. |
| Soldering   | Case size  | Temp. (°C)   |             |            |            |                |   |                     |                  |  |                     |   |                     |                  |  |                     |   |                     |                  |   |  |          |  |                                  |                     |  |   |   |  |  |  |  |           |            |                 |             |            |  |          |        |         |            |   |          |
| Wave soldering  | C1608[CC0603], C2012[CC0805], C3216[CC1206]  | $\Delta T \leq 150$  |             |            |            |                |   |                     |                  |  |                     |   |                     |                  |  |                     |   |                     |                  |   |  |          |  |                                  |                     |  |   |   |  |  |  |  |           |            |                 |             |            |  |          |        |         |            |   |          |
| Reflow soldering  | C1005[CC0402], C1608[CC0603], C2012[CC0805], C3216[CC1206]                           | $\Delta T \leq 150$  |             |            |            |                |   |                     |                  |  |                     |   |                     |                  |  |                     |   |                     |                  |   |  |          |  |                                  |                     |  |   |   |  |  |  |  |           |            |                 |             |            |  |          |        |         |            |   |          |
|   | C3225[CC1210], C4532[CC1812], C5750[CC2220]  | $\Delta T \leq 130$  |             |            |            |                |   |                     |                  |  |                     |   |                     |                  |  |                     |   |                     |                  |   |  |          |  |                                  |                     |  |   |   |  |  |  |  |           |            |                 |             |            |  |          |        |         |            |   |          |
| Manual soldering  | C1005[CC0402], C1608[CC0603], C2012[CC0805], C3216[CC1206]                           | $\Delta T \leq 150$  |             |            |            |                |   |                     |                  |  |                     |   |                     |                  |  |                     |   |                     |                  |   |  |          |  |                                  |                     |  |   |   |  |  |  |  |           |            |                 |             |            |  |          |        |         |            |   |          |
|   | C3225[CC1210], C4532[CC1812], C5750[CC2220]  | $\Delta T \leq 130$  |             |            |            |                |   |                     |                  |  |                     |   |                     |                  |  |                     |   |                     |                  |   |  |          |  |                                  |                     |  |   |   |  |  |  |  |           |            |                 |             |            |  |          |        |         |            |   |          |
| Excessive solder  |   | Higher tensile force in chip capacitors to cause crack   |             |            |            |                |   |                     |                  |  |                     |   |                     |                  |  |                     |   |                     |                  |   |  |          |  |                                  |                     |  |   |   |  |  |  |  |           |            |                 |             |            |  |          |        |         |            |   |          |
| Adequate  |  | Maximum amount<br>Minimum amount   |             |            |            |                |   |                     |                  |  |                     |   |                     |                  |  |                     |   |                     |                  |   |  |          |  |                                  |                     |  |   |   |  |  |  |  |           |            |                 |             |            |  |          |        |         |            |   |          |
| Insufficient solder   |  | Low robustness may cause contact failure or chip capacitors come off the P.C.board.  |             |            |            |                |   |                     |                  |  |                     |   |                     |                  |  |                     |   |                     |                  |   |  |          |  |                                  |                     |  |   |   |  |  |  |  |           |            |                 |             |            |  |          |        |         |            |   |          |
| Recommended solder iron condition (Sn-Pb Solder and Lead Free Solder) |  |  |             |            |            |                |   |                     |                  |  |                     |   |                     |                  |  |                     |   |                     |                  |   |  |          |  |                                  |                     |  |   |   |  |  |  |  |           |            |                 |             |            |  |          |        |         |            |   |          |
| Case size   | Temp. (°C)   | Duration (sec.)  | Wattage (W) | Shape (mm) |            |                |   |                     |                  |  |                     |   |                     |                  |  |                     |   |                     |                  |   |  |          |  |                                  |                     |  |   |   |  |  |  |  |           |            |                 |             |            |  |          |        |         |            |   |          |
| C1005[CC0402]<br>C1608[CC0603]<br>C2012[CC0805]<br>C3216[CC1206]      | 350 max.   | 3 max.   | 20 max.     | ∅ 3.0 max. |            |                |   |                     |                  |  |                     |   |                     |                  |  |                     |   |                     |                  |   |  |          |  |                                  |                     |  |   |   |  |  |  |  |           |            |                 |             |            |  |          |        |         |            |   |          |
| C3225[CC1210]<br>C4532[CC1812]<br>C5750[CC2220]                       | 280 max.   |  |             |            |            |                |   |                     |                  |  |                     |   |                     |                  |  |                     |   |                     |                  |   |  |          |  |                                  |                     |  |   |   |  |  |  |  |           |            |                 |             |            |  |          |        |         |            |   |          |

| No.                  | Process   | Condition   |                      |              |              |           |              |                |         |   |                 |                         |                  |  |
|----------------------|---|---|----------------------|--------------|--------------|-----------|--------------|----------------|---------|---|-----------------|-------------------------|------------------|--|
| 5                    | Soldering   | <p>5-7.Soldering rework using spot heater<br/>Heat stress during rework may possibly be reduced by using a spot heater (also called a “blower”) rather than a soldering iron.<br/>It is applied only to adding solder in the case of insufficient solder amount.</p> <p>1) Reworking using a spot heater may suppress the occurrence of cracks in the capacitor compared to using a soldering iron. A spot heater can heat up a capacitor uniformly with a small heat gradient which leads to lower thermal stress caused by quick heating and cooling or localized heating.<br/>Moreover, where ultra-small capacitors are mounted close together on a printed circuit board, reworking with a spot heater can eliminate the risk of direct contact between the tip of a soldering iron and a capacitor.</p> <p>2) Rework condition<br/>If the blower nozzle of a spot heater is too close to a capacitor, a crack in the capacitor may occur due to heat stress. Below are recommendations for avoiding such an occurrence.<br/>Keep more than 5mm between a capacitor and a spot heater nozzle.<br/>The blower temperature of the spot heater shall be lower than 400°C.<br/>The airflow shall be set as weak as possible.<br/>The diameter of the nozzle is recommended to be 2mm(one-outlet type).The size is standard and common.<br/>Duration of blowing hot air is recommended to be 10s or less for C1608 [CC0603], C2012 [CC0805] and C3216 [CC1206], and 30s or less for C3225 [CC1210], C4532 [CC1812] and C5750 [CC2220], considering surface area of the capacitor and melting temperature of solder.<br/>The angle between the nozzle and the capacitor is recommended to be 45degrees in order to work easily and to avoid partial area heating.<br/>As is the case when using a soldering iron, preheating reduces thermal stress on capacitors and improves operating efficiency.</p> <p>• Recommended rework condition (Consult the component manufactures for details.)</p> <table border="1" data-bbox="512 1133 1453 1480"> <tbody> <tr> <td>Distance from nozzle</td> <td>5mm and over</td> </tr> <tr> <td>Nozzle angle</td> <td>45degrees</td> </tr> <tr> <td>Nozzle temp.</td> <td>400°C and less</td> </tr> <tr> <td>Airflow</td> <td>Set as weak as possible<br/>(The airflow shall be the minimum value necessary for solder to melt in the conditions mentioned above.)</td> </tr> <tr> <td>Nozzle diameter</td> <td>∅ 2mm (one-outlet type)</td> </tr> <tr> <td>Blowing duration</td> <td>10s and less (C1608[CC0603], C2012[CC0805], C3216[CC1206])<br/>30s and less (C3225[CC1210], C4532[CC1812], C5750[CC2220])</td> </tr> </tbody> </table> <p>• Example of recommended spot heater use</p>  <p>3) Amount of solder should be suitable to form a proper fillet shape.<br/>Excess solder causes mechanical and thermal stress on a capacitor and results in cracks. Insufficient solder causes weak adherence of the capacitor to the substrate and may result in detachment of a capacitor and deteriorate reliability of the printed wiring board.<br/>See the example of appropriate solder fillet shape for 5-5.Amount of solder.</p> | Distance from nozzle | 5mm and over | Nozzle angle | 45degrees | Nozzle temp. | 400°C and less | Airflow | Set as weak as possible<br>(The airflow shall be the minimum value necessary for solder to melt in the conditions mentioned above.) | Nozzle diameter | ∅ 2mm (one-outlet type) | Blowing duration | 10s and less (C1608[CC0603], C2012[CC0805], C3216[CC1206])<br>30s and less (C3225[CC1210], C4532[CC1812], C5750[CC2220]) |
| Distance from nozzle | 5mm and over  |   |                      |              |              |           |              |                |         |   |                 |                         |                  |  |
| Nozzle angle         | 45degrees   |   |                      |              |              |           |              |                |         |   |                 |                         |                  |  |
| Nozzle temp.         | 400°C and less  |   |                      |              |              |           |              |                |         |   |                 |                         |                  |  |
| Airflow              | Set as weak as possible<br>(The airflow shall be the minimum value necessary for solder to melt in the conditions mentioned above.) |   |                      |              |              |           |              |                |         |   |                 |                         |                  |  |
| Nozzle diameter      | ∅ 2mm (one-outlet type)   |   |                      |              |              |           |              |                |         |   |                 |                         |                  |  |
| Blowing duration     | 10s and less (C1608[CC0603], C2012[CC0805], C3216[CC1206])<br>30s and less (C3225[CC1210], C4532[CC1812], C5750[CC2220])            |   |                      |              |              |           |              |                |         |   |                 |                         |                  |  |

| No. | Process                              | Condition   |
|-----|--------------------------------------|---|
| 5   | Soldering                            | <p>5-8. Sn-Zn solder<br/>Sn-Zn solder affects product reliability.<br/>Please contact TDK in advance when utilize Sn-Zn solder.</p> <p>5-9. Countermeasure for tombstone<br/>The misalignment between the mounted positions of the capacitors and the land patterns should be minimized. The tombstone phenomenon may occur especially the capacitors are mounted (in longitudinal direction) in the same direction of the reflow soldering.<br/>(Refer to JEITA RCR-2335C Annex A (Informative) Recommendations to prevent the tombstone phenomenon)</p>   |
| 6   | Cleaning                             | <p>1) If an unsuitable cleaning fluid is used, flux residue or some foreign articles may stick to chip capacitors surface to deteriorate especially the insulation resistance.</p> <p>2) If cleaning condition is not suitable, it may damage the chip capacitors.</p> <p>2)-1. Insufficient washing</p> <p>(1) Terminal electrodes may corrode by Halogen in the flux.</p> <p>(2) Halogen in the flux may adhere on the surface of capacitors, and lower the insulation resistance.</p> <p>(3) Water soluble flux has higher tendency to have above mentioned problems (1) and (2).</p> <p>2)-2. Excessive washing</p> <p>When ultrasonic cleaning is used, excessively high ultrasonic energy output can affect the connection between the ceramic chip capacitor's body and the terminal electrode. To avoid this, following is the recommended condition.</p> <p style="text-align: center;">Power : 20 W/l max.<br/>Frequency : 40 kHz max.<br/>Washing time : 5 minutes max.</p> <p>2)-3. If the cleaning fluid is contaminated, density of Halogen increases, and it may bring the same result as insufficient cleaning.</p> |
| 7   | Coating and molding of the P.C.board | <p>1) When the P.C.board is coated, please verify the quality influence on the product.</p> <p>2) Please verify carefully that there is no harmful decomposing or reaction gas emission during curing which may damage the chip capacitors.</p> <p>3) Please verify the curing temperature.</p>   |

| No.  | Process  | Condition  |             |               |  |   |
|--|--|--|-------------|---------------|--|---|
| 8  | Handling after chip mounted<br> Caution | <p>1) Please pay attention not to bend or distort the P.C.board after soldering in handling otherwise the chip capacitors may crack.</p> <div style="display: flex; justify-content: space-around;"> <div style="text-align: center;">  <p>Bend</p> </div> <div style="text-align: center;">  <p>Twist</p> </div> </div> <p>2) Printed circuit board cropping should not be carried out by hand, but by using the proper tooling. Printed circuit board cropping should be carried out using a board cropping jig as shown in the following figure or a board cropping apparatus to prevent inducing mechanical stress on the board.</p> <p>(1) Example of a board cropping jig</p> <p>Recommended example: The board should be pushed from the back side, close to the cropping jig so that the board is not bent and the stress applied to the capacitor is compressive.</p> <p>Unrecommended example: If the pushing direction is from the front side of the board, large tensile stress is applied to the capacitor, which may cause cracks.</p> <div style="display: flex; justify-content: space-around; align-items: flex-start;"> <div style="text-align: center;">  <p>Outline of jig</p> </div> <table border="1" style="border-collapse: collapse;"> <thead> <tr> <th data-bbox="767 1025 1102 1077">Recommended</th> <th data-bbox="1102 1025 1445 1077">Unrecommended</th> </tr> </thead> <tbody> <tr> <td data-bbox="767 1077 1102 1285">  </td> <td data-bbox="1102 1077 1445 1285">  </td> </tr> </tbody> </table> </div> | Recommended | Unrecommended |  |  |
| Recommended  | Unrecommended  |  |             |               |  |   |
|  |                                     |  |             |               |  |   |

| No.   | Process  | Condition  |  |               |  |  |                         |                         |                         |   |  |  |  |      |                 |             |               |  |   |
|---|--|--|--|---------------|--|--|-------------------------|-------------------------|-------------------------|---|--|--|--|------|-----------------|-------------|---------------|--|---|
| 8   | Handling after chip mounted<br> Caution | <p>(2) Example of a board cropping machine</p> <p>An outline of a printed circuit board cropping machine is shown below. The top and bottom blades are aligned with one another along the lines with the V-grooves on printed circuit board when cropping the board.</p> <p>Unrecommended example: Misalignment of blade position between top and bottom, right and left, or front and rear blades may cause a crack in the capacitor.</p> <div style="display: flex; justify-content: space-around;"> <div data-bbox="558 492 957 761"> <p>Outline of machine</p>  </div> <div data-bbox="1005 492 1420 739"> <p>Principle of operation</p>  </div> </div> <div style="text-align: center; margin-top: 10px;"> <p>Cross-section diagram</p>  </div> <table border="1" style="width: 100%; margin-top: 20px; border-collapse: collapse;"> <thead> <tr> <th data-bbox="646 985 821 1064" rowspan="2">Recommended</th> <th colspan="3" data-bbox="821 985 1356 1064">Unrecommended</th> </tr> <tr> <th data-bbox="821 1064 997 1108">Top-bottom misalignment</th> <th data-bbox="997 1064 1173 1108">Left-right misalignment</th> <th data-bbox="1173 1064 1356 1108">Front-rear misalignment</th> </tr> </thead> <tbody> <tr> <td data-bbox="646 1108 821 1411"> <p>Top blade</p>  <p>Board</p> <p>Bottom blade</p> </td> <td data-bbox="821 1108 997 1411"> <p>Top blade</p>  <p>Bottom blade</p> </td> <td data-bbox="997 1108 1173 1411"> <p>Top blade</p>  <p>Bottom blade</p> </td> <td data-bbox="1173 1108 1356 1411"> <p>Top blade</p>  <p>Bottom blade</p> </td> </tr> </tbody> </table> <p>3) When functional check of the P.C.board is performed, check pin pressure tends to be adjusted higher for fear of loose contact. But if the pressure is excessive and bend the P.C.board, it may crack the chip capacitors or peel the terminations off. Please adjust the check pins not to bend the P.C.board.</p> <table border="1" style="width: 100%; margin-top: 20px; border-collapse: collapse;"> <thead> <tr> <th data-bbox="478 1657 614 1713">Item</th> <th data-bbox="614 1657 1029 1713">Not recommended</th> <th data-bbox="1029 1657 1436 1713">Recommended</th> </tr> </thead> <tbody> <tr> <td data-bbox="478 1713 614 1948">Board bending</td> <td data-bbox="614 1713 1029 1948">  </td> <td data-bbox="1029 1713 1436 1948">  </td> </tr> </tbody> </table> | Recommended  | Unrecommended |  |  | Top-bottom misalignment | Left-right misalignment | Front-rear misalignment | <p>Top blade</p>  <p>Board</p> <p>Bottom blade</p> | <p>Top blade</p>  <p>Bottom blade</p> | <p>Top blade</p>  <p>Bottom blade</p> | <p>Top blade</p>  <p>Bottom blade</p> | Item | Not recommended | Recommended | Board bending |  |  |
| Recommended   | Unrecommended  |  |  |               |  |  |                         |                         |                         |   |  |  |  |      |                 |             |               |  |   |
|   | Top-bottom misalignment  | Left-right misalignment  | Front-rear misalignment  |               |  |  |                         |                         |                         |   |  |  |  |      |                 |             |               |  |   |
| <p>Top blade</p>  <p>Board</p> <p>Bottom blade</p> | <p>Top blade</p>  <p>Bottom blade</p> | <p>Top blade</p>  <p>Bottom blade</p>   | <p>Top blade</p>  <p>Bottom blade</p> |               |  |  |                         |                         |                         |   |  |  |  |      |                 |             |               |  |   |
| Item  | Not recommended  | Recommended  |  |               |  |  |                         |                         |                         |   |  |  |  |      |                 |             |               |  |   |
| Board bending   |                                      |   |  |               |  |  |                         |                         |                         |   |  |  |  |      |                 |             |               |  |   |

| No. | Process   | Condition   |
|-----|---|---|
| 9   | Handling of loose chip capacitors                       | <p>1) If dropped the chip capacitors may crack. Once dropped do not use it. Especially, the large case sized chip capacitors are tendency to have cracks easily, so please handle with care.</p>  <p>2) Piling the P.C.board after mounting for storage or handling, the corner of the P.C. board may hit the chip capacitors of another board to cause crack.</p>  |
| 10  | Capacitance aging                                       | The capacitors (Class 2) have aging in the capacitance. They may not be used in precision time constant circuit. In case of the time constant circuit, the evaluation should be done well.  |
| 11  | Estimated life and estimated failure rate of capacitors | <p>As per the estimated life and the estimated failure rate depend on the temperature and the voltage. This can be calculated by the equation described in JEITA RCR-2335C Annex F (Informative) Calculation of the estimated lifetime and the estimated failure rate ( Voltage acceleration coefficient : 3 multiplication rule, Temperature acceleration coefficient : 10°C rule)</p> <p>The failure rate can be decreased by reducing the temperature and the voltage but they will not be guaranteed.</p>                           |

| No. | Process   | Condition  |
|-----|---|--|
| 12  | Caution during operation of equipment   | <p>1) A capacitor shall not be touched directly with bare hands during operation in order to avoid electric shock. Electric energy held by the capacitor may be discharged through the human body when touched with a bare hand. Even when the equipment is off, a capacitor may stay charged. The capacitor should be handled after being completely discharged using a resistor.</p> <p>2) The terminals of a capacitor shall not be short-circuited by any accidental contact with a conductive object. A capacitor shall not be exposed to a conductive liquid such as an acid or alkali solution. A conductive object or liquid, such as acid and alkali, between the terminals may lead to the breakdown of a capacitor due to short circuit.</p> <p>3) Confirm that the environment to which the equipment will be exposed during transportation and operation meets the specified conditions. Do not to use the equipment in the following environments.</p> <p>(1) Environment where a capacitor is splattered with water or oil<br/> (2) Environment where a capacitor is exposed to direct sunlight<br/> (3) Environment where a capacitor is exposed to Ozone, ultraviolet rays or radiation<br/> (4) Environment where a capacitor exposed to corrosive gas(e.g. hydrogen sulfide, sulfur dioxide, chlorine. ammonia gas etc.)<br/> (5) Environment where a capacitor exposed to vibration or mechanical shock exceeding the specified limits.<br/> (6) Atmosphere change with causes condensation</p>  |
| 13  | Others<br> Caution | <p>The products listed on this specification sheet are intended for use in general electronic equipment (AV equipment, telecommunications equipment, home appliances, amusement equipment, computer equipment, personal equipment, office equipment, measurement equipment, industrial robots) under a normal operation and use condition.</p> <p>The products are not designed or warranted to meet the requirements of the applications listed below, whose performance and/or quality require a more stringent level of safety or reliability, or whose failure, malfunction or trouble could cause serious damage to society, person or property. Please understand that we are not responsible for any damage or liability caused by use of the products in any of the applications below or for any other use exceeding the range or conditions set forth in this specification sheet. If you intend to use the products in the applications listed below or if you have special requirements exceeding the range or conditions set forth in this specification, please contact us.</p> <p>(1) Aerospace/Aviation equipment<br/> (2) Transportation equipment (cars, electric trains, ships, etc.)<br/> (3) Medical equipment (Excepting Pharmaceutical Affairs Law classification Class1, 2)<br/> (4) Power-generation control equipment<br/> (5) Atomic energy-related equipment<br/> (6) Seabed equipment<br/> (7) Transportation control equipment<br/> (8) Public information-processing equipment<br/> (9) Military equipment<br/> (10) Electric heating apparatus, burning equipment<br/> (11) Disaster prevention/crime prevention equipment<br/> (12) Safety equipment<br/> (13) Other applications that are not considered general-purpose applications</p> <p>When designing your equipment even for general-purpose applications, you are kindly requested to take into consideration securing protection circuit/device or providing backup circuits in your equipment.</p> |

## 13. TAPE PACKAGING SPECIFICATION

### 1. CONSTRUCTION AND DIMENSION OF TAPING

#### 1-1. Dimensions of carrier tape

Dimensions of paper tape shall be according to Appendix 3, 4.

Dimensions of plastic tape shall be according to Appendix 5, 6.

#### 1-2. Bulk part and leader of taping



#### 1-3. Dimensions of reel

Dimensions of  $\varnothing 178$  reel shall be according to Appendix 7, 8.

Dimensions of  $\varnothing 330$  reel shall be according to Appendix 9, 10.

#### 1-4. Structure of taping



### 2. CHIP QUANTITY

Please refer to detail page on TDK Web.

### 3. PERFORMANCE SPECIFICATIONS

#### 3-1. Fixing peeling strength (top tape)

$$0.05\text{N} < \text{Peeling strength} < 0.7\text{N}$$

<Paper>



〔 Paper tape should not adhere to top cover tape when pull the cover tape. 〕

<Plastic>



3-2. Carrier tape shall be flexible enough to be wound around a minimum radius of 30mm with components in tape.

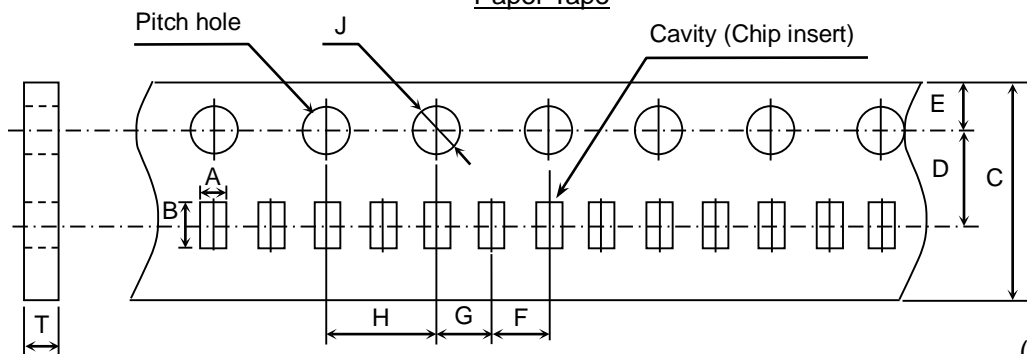
3-3. The missing of components shall be less than 0.1%

3-4. Components shall not stick to fixing tape.

3-5. When removing the cover tape, there shall not be difficulties by unfitting clearance gap, burrs and crushes of cavities. Also the sprocket holes shall not be covered by absorbing dust into the suction nozzle.

### Appendix 3

#### Paper Tape



(Unit : mm)

| Symbol            | A                      | B                      | C           | D           | E           | F           |
|-------------------|------------------------|------------------------|-------------|-------------|-------------|-------------|
| Case size         |                        |                        |             |             |             |             |
| C1005<br>[CC0402] | ( 0.65 )<br>* ( 0.73 ) | ( 1.15 )<br>* ( 1.23 ) | 8.00 ± 0.30 | 3.50 ± 0.05 | 1.75 ± 0.10 | 2.00 ± 0.05 |

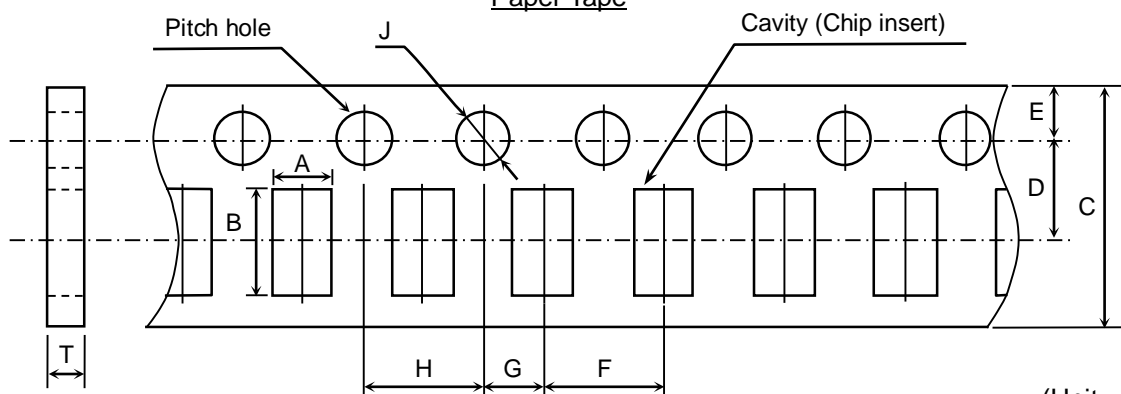
| Symbol            | G           | H           | J                                    | T                        |
|-------------------|-------------|-------------|--------------------------------------|--------------------------|
| Case size         |             |             |                                      |                          |
| C1005<br>[CC0402] | 2.00 ± 0.05 | 4.00 ± 0.10 | ∅ 1.50 <sup>+0.10</sup> <sub>0</sub> | 0.60±0.05<br>* 0.68±0.05 |

( ) Reference value.

\* Applied to thickness, 0.50±0.10mm and 0.50 +0.15,-0.10mm products.

### Appendix 4

#### Paper Tape



(Unit : mm)

| Symbol            | A        | B        | C           | D           | E           | F           |
|-------------------|----------|----------|-------------|-------------|-------------|-------------|
| Case size         |          |          |             |             |             |             |
| C1608<br>[CC0603] | ( 1.10 ) | ( 1.90 ) | 8.00 ± 0.30 | 3.50 ± 0.05 | 1.75 ± 0.10 | 4.00 ± 0.10 |
| C2012<br>[CC0805] | ( 1.50 ) | ( 2.30 ) |             |             |             |             |
| C3216<br>[CC1206] | ( 1.90 ) | ( 3.50 ) |             |             |             |             |

| Symbol            | G           | H           | J                                    | T         |
|-------------------|-------------|-------------|--------------------------------------|-----------|
| Case size         |             |             |                                      |           |
| C1608<br>[CC0603] | 2.00 ± 0.05 | 4.00 ± 0.10 | ∅ 1.50 <sup>+0.10</sup> <sub>0</sub> | 1.20 max. |
| C2012<br>[CC0805] |             |             |                                      |           |
| C3216<br>[CC1206] |             |             |                                      |           |

( ) Reference value.

### Appendix 5

#### Plastic Tape



(Unit : mm)

| Symbol            | A        | B        | C           | D           | E           | F           |
|-------------------|----------|----------|-------------|-------------|-------------|-------------|
| Case size         |          |          |             |             |             |             |
| C2012<br>[CC0805] | ( 1.50 ) | ( 2.30 ) | 8.0 ± 0.3   | 3.5 ± 0.05  | 1.75 ± 0.10 | 4.00 ± 0.10 |
| C3216<br>[CC1206] | ( 1.90 ) | ( 3.50 ) |             |             |             |             |
| C3225<br>[CC1210] | ( 2.90 ) | ( 3.60 ) |             |             |             |             |
|                   |          |          | *12.0 ± 0.3 | *5.5 ± 0.05 |             |             |

| Symbol            | G           | H           | J                                    | K         | T         | Q           |
|-------------------|-------------|-------------|--------------------------------------|-----------|-----------|-------------|
| Case size         |             |             |                                      |           |           |             |
| C2012<br>[CC0805] | 2.00 ± 0.05 | 4.00 ± 0.10 | ∅ 1.50 <sup>+0.10</sup> <sub>0</sub> | 2.50 max. | 0.60 max. | ∅ 0.50 min. |
| C3216<br>[CC1206] |             |             |                                      |           |           |             |
| C3225<br>[CC1210] |             |             |                                      | 3.40 max. |           |             |

( ) Reference value.

\* Applied to thickness, 2.5mm products.

Exceptionally no hole in the cavity is applied. Please inquire if hole in cavity is mandatory.

### Appendix 6

#### Plastic Tape



(Unit : mm)

| Symbol            | A           | B           | C                                    | D           | E           | F           |
|-------------------|-------------|-------------|--------------------------------------|-------------|-------------|-------------|
| Case size         |             |             |                                      |             |             |             |
| C4532<br>[CC1812] | ( 3.60 )    | ( 4.90 )    | 12.0 ± 0.30                          | 5.50 ± 0.05 | 1.75 ± 0.10 | 8.00 ± 0.10 |
| C5750<br>[CC2220] | ( 5.40 )    | ( 6.10 )    |                                      |             |             |             |
| Symbol            | G           | H           | J                                    | K           | T           | Q           |
| Case size         |             |             |                                      |             |             |             |
| C4532<br>[CC1812] | 2.00 ± 0.05 | 4.00 ± 0.10 | ∅ 1.50 <sup>+0.10</sup> <sub>0</sub> | 6.50 max.   | 0.60 max.   | ∅ 1.50 min. |
| C5750<br>[CC2220] |             |             |                                      |             |             |             |

( ) Reference value.

Exceptionally no hole in the cavity is applied. Please inquire if hole in cavity is mandatory.

### Appendix 7

Dimensions of reel (Material : Polystyrene)  
C1005, C1608, C2012, C3216, C3225



(Unit : mm)

|           |                |            |            |            |           |                |
|-----------|----------------|------------|------------|------------|-----------|----------------|
| Symbol    | A              | B          | C          | D          | E         | W <sub>1</sub> |
| Dimension | ∅ 178 ± 2.0    | ∅ 60 ± 2.0 | ∅ 13 ± 0.5 | ∅ 21 ± 0.8 | 2.0 ± 0.5 | 9.0 ± 0.3      |
| Symbol    | W <sub>2</sub> | R          |            |            |           |                |
| Dimension | 13.0 ± 1.4     | 1.0        |            |            |           |                |

### Appendix 8

Dimensions of reel (Material : Polystyrene)  
C3225(2.5mm thickness products), C4532, C5750



(Unit : mm)

|           |                |            |            |            |           |                |
|-----------|----------------|------------|------------|------------|-----------|----------------|
| Symbol    | A              | B          | C          | D          | E         | W <sub>1</sub> |
| Dimension | ∅ 178 ± 2.0    | ∅ 60 ± 2.0 | ∅ 13 ± 0.5 | ∅ 21 ± 0.8 | 2.0 ± 0.5 | 13.0 ± 0.3     |
| Symbol    | W <sub>2</sub> | R          |            |            |           |                |
| Dimension | 17.0 ± 1.4     | 1.0        |            |            |           |                |

### Appendix 9

Dimensions of reel (Material : Polystyrene)  
C1005, C1608, C2012, C3216, C3225

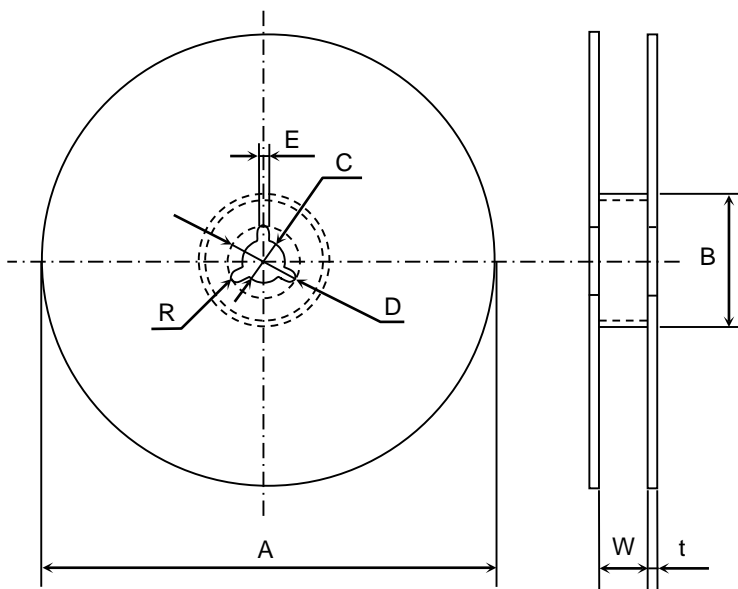


(Unit : mm)

|           |                               |           |            |            |           |            |
|-----------|-------------------------------|-----------|------------|------------|-----------|------------|
| Symbol    | A                             | B         | C          | D          | E         | W          |
| Dimension | ∅ 382 max.<br>(Nominal ∅ 330) | ∅ 50 min. | ∅ 13 ± 0.5 | ∅ 21 ± 0.8 | 2.0 ± 0.5 | 10.0 ± 1.5 |
| Symbol    | t                             | R         |            |            |           |            |
| Dimension | 2.0 ± 0.5                     | 1.0       |            |            |           |            |

### Appendix 10

Dimensions of reel (Material : Polystyrene)  
C3225(2.5mm thickness products), C4532, C5750



(Unit : mm)

|           |                               |           |            |            |           |            |
|-----------|-------------------------------|-----------|------------|------------|-----------|------------|
| Symbol    | A                             | B         | C          | D          | E         | W          |
| Dimension | ∅ 382 max.<br>(Nominal ∅ 330) | ∅ 50 min. | ∅ 13 ± 0.5 | ∅ 21 ± 0.8 | 2.0 ± 0.5 | 14.0 ± 1.5 |
| Symbol    | t                             | R         |            |            |           |            |
| Dimension | 2.0 ± 0.5                     | 1.0       |            |            |           |            |

## Looking for pricing, stock, or lifecycle information?

Click below to explore more details on WIN SOURCE:

- ⊖ [View C4532X7R2A155M230KA](#) on WIN SOURCE
- ⊖ [TDK Corporation](#) Information

## Optimize Your Supply Chain with WIN SOURCE Solutions

- ✓ Global Sourcing Solution
- ✓ Obsolete Management
- ✓ Cost Control Management
- ✓ Shortage Management
- ✓ Alternative Solution
- ✓ Excess Inventory Management