



**THE DATASHEET OF
6-292132-2**



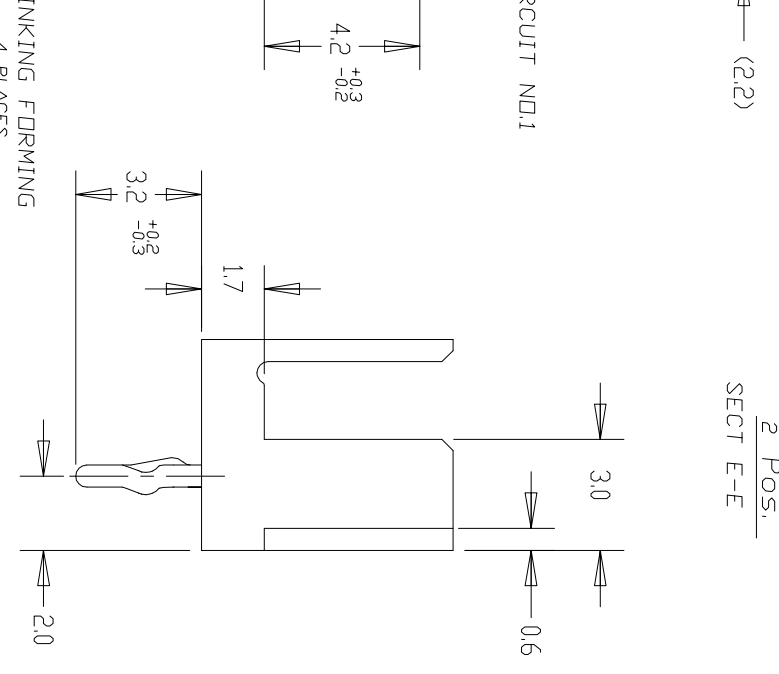
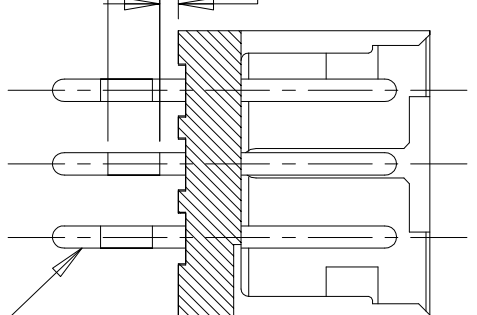
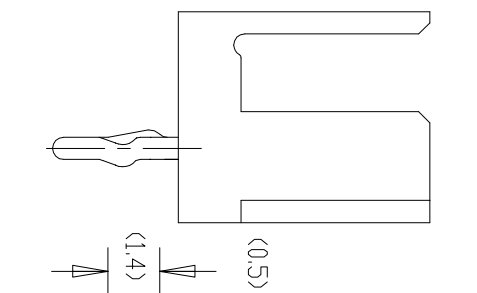
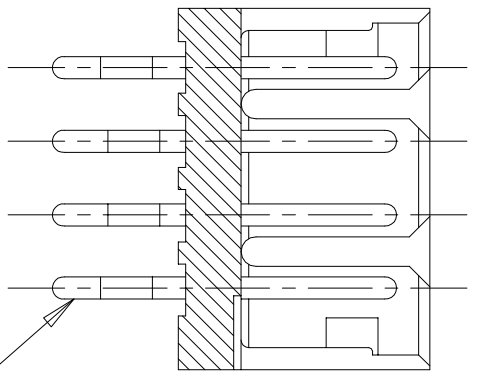
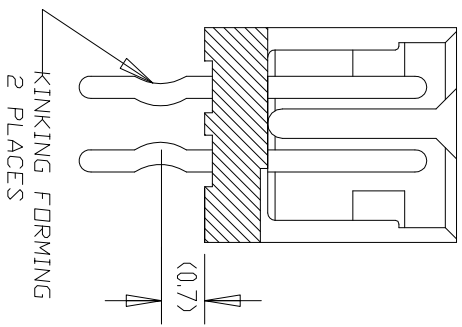
3
20
REV'D.

LDC FB
DIST 00

REVISONS		DESCRIPTION	DATE	DWN	APVD		
P	LTR	A2	REVISIED	ECR-14-006619	06MAY14	T.Q	W/H

NOTES;

- △ MATERIAL:HDUSING - 66 NYLON (UL94V-0)
- POST - TIN BRASS
- △ 7-292132-3 WAS OBSOLETEED.

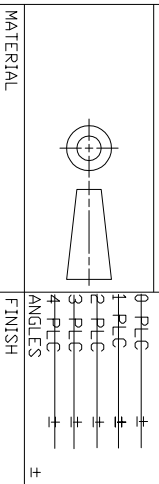


7-292132-5	5-292132-5	3-292132-5	1-292132-5	15	28	31.8	25.2	31.0
7-4	5-4	3-4	1-4	14	26	29.8	23.2	29.0
7-3	5-3	3-3	1-3	13	24	27.8	21.2	27.0
7-2	5-2	3-2	1-2	12	22	25.8	19.2	25.0
7-1	5-1	3-1	1-1	11	20	23.8	17.2	23.0
6-0	5-0	3-0	1-0	10	18	21.8	15.2	21.0
6-9	4-9	2-9	0-9	9	16	19.8	13.2	19.0
6-8	4-8	2-8	0-8	8	14	17.8	11.2	17.0
6-7	4-7	2-7	0-7	7	12	15.8	9.2	15.0
6-6	4-6	2-6	0-6	6	10	13.8	7.2	13.0
6-5	4-5	2-5	0-5	5	8	11.8	5.2	11.0
6-4	4-4	2-4	0-4	4	6	9.8	3.2	9.0
6-3	4-3	2-3	0-3	3	4	7.8	—	7.0
6-292132-2	4-292132-2	2-292132-2	292132-2	2	2	5.8	—	5.0
RED	BLACK	YELLOW	BLUE	Pos.	A	B	C	D

THIS DRAWING IS A CONTROLLED DOCUMENT FOR TYCO ELECTRONICS CORPORATION
IT IS SUBJECT TO CHANGE AND THE CONTROLLING ENGINEERING ORGANIZATION
SHOULD BE CONTACTED FOR THE LATEST REVISION

DIMENSIONS:
mm

TOLERANCES UNLESS
OTHERWISE SPECIFIED:
±0.2



DWN 23JAN03
CHK S.YAD
APVD T.SASAKI
PRODUCT SPEC 108-60016
APPLICATION SPEC

NAME
tyco
Electronics
Tyco Electronics Corporation
Shanghai, P.R.China,200233

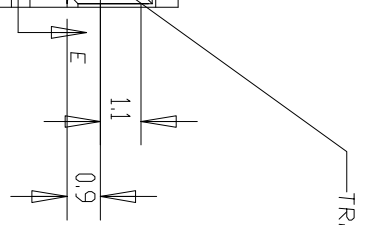
POST HEADER ASS'Y (BDX-V DIP)
(AMP CT CONNECTOR 2mm PITCH)

SIZE A3
CAGE CODE 00779
DRAWING NO ©=292132
SCALE 5:1
SHEET 1 OF 2
REV A2

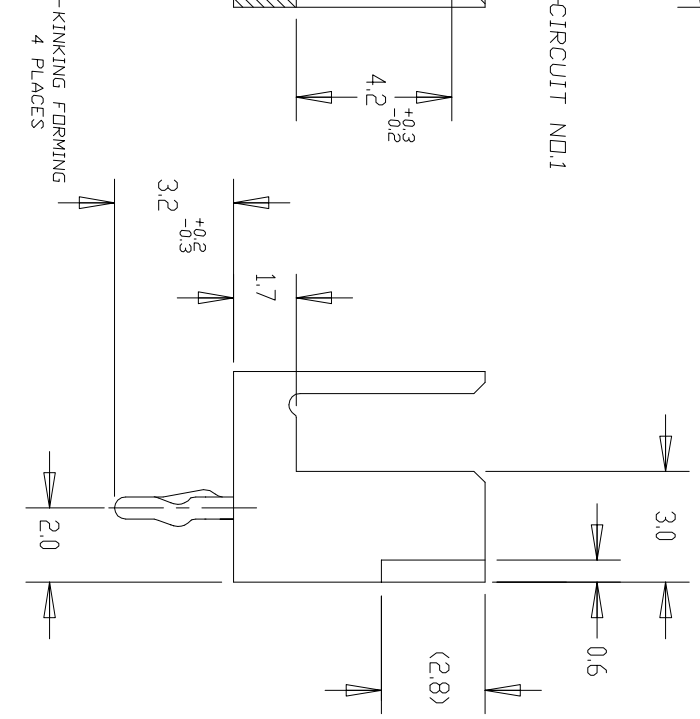
CUSTOMER DRAWING

RESTRICTED TO

3		2		1	
REV'D:	LDC	DIST	REVISIONS		
	FB	00	P	LTR	DATE
			-	SEE SHEET 1	-
					DWN
					APVD



(2.2)



CIRCUIT NO.1

NOTES:
 ▲ MATERIAL: HOUSING - 66 NYLON (UL94V-0)
 POST - TIN BRASS

7-292132-5	5-292132-5	3-292132-5	1-292132-5	15	28	31.8	25.2	31.0	
7-4	5-4	3-4	1-4	14	26	29.8	23.2	29.0	
7-3	5-3	3-3	1-3	13	24	27.8	21.2	27.0	
7-2	5-2	3-2	1-2	12	22	25.8	19.2	25.0	
7-1	5-1	3-1	1-1	11	20	23.8	17.2	23.0	
7-0	5-0	3-0	1-0	10	18	21.8	15.2	21.0	
6-9	4-9	2-9	0-9	9	16	19.8	13.2	19.0	
6-8	4-8	2-8	0-8	8	14	17.8	11.2	17.0	
6-7	4-7	2-7	0-7	7	12	15.8	9.2	15.0	
6-6	4-6	2-6	0-6	6	10	13.8	7.2	13.0	
6-5	4-5	2-5	0-5						
6-4	4-4	2-4	0-4						
6-3	4-3	2-3	0-3						
6-292132-2	4-292132-2	2-292132-2	292132-2						
RED	BLACK	YELLOW	BLUE	NATURAL	Pos.	A	B	C	D

(SEE SHEET 1 OF 2)

6~15 Pos.

0.1 DIA
 0 DIA
 CHED HOLE)
 +0.05
 85 -0 DIA
 FILED HOLE)

THIS DRAWING IS A CONTROLLED DOCUMENT FOR TYCO ELECTRONICS CORPORATION
 IT IS SUBJECT TO CHANGE AND THE CONTROLLING ENGINEERING ORGANIZATION
 SHOULD BE CONTACTED FOR THE LATEST REVISION

DIMENSIONS: mm

TOLERANCES UNLESS OTHERWISE SPECIFIED:
 0-PLC ±0.2
 1-PLC ±
 2-PLC ±
 3-PLC ±
 4-PLC ±
 ANGLES ±

MATERIAL FINISH

DWN / CHK / APVD / PRODUCT SPEC / APPLICATION SPEC / WEIGHT

CUSTOMER DRAWING

NAME: **tyco Electronics**
 Tyco Electronics Corporation
 Shanghai, P.R.China, 200233

POST HEADER ASS'Y (BOX-V DIP)
 (AMP CT CONNECTOR 2mm PITCH)

SIZE: A3
 CAGE CODE: 00779
 DRAWING NO: 292132

SCALE: 5:1
 SHEET: 2 OF 2
 REV: A2

Looking for pricing, stock, or lifecycle information?

Click below to explore more details on WIN SOURCE:

[View 6-292132-2 on WIN SOURCE](#)

[TE Connectivity Information](#)

Optimize Your Supply Chain with WIN SOURCE Solutions

- ✓ Global Sourcing Solution
- ✓ Obsolete Management
- ✓ Cost Control Management
- ✓ Shortage Management
- ✓ Alternative Solution
- ✓ Excess Inventory Management