



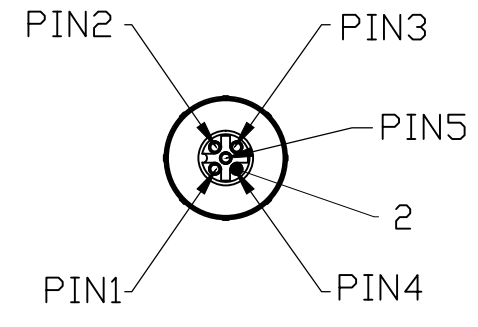
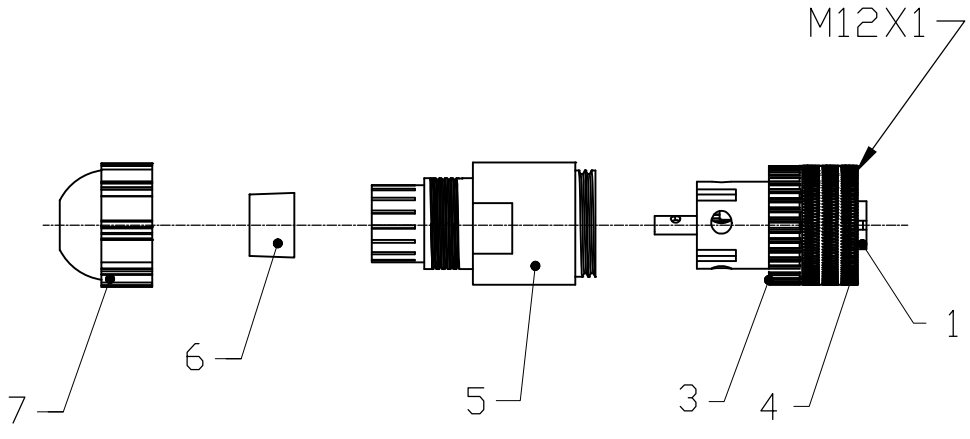
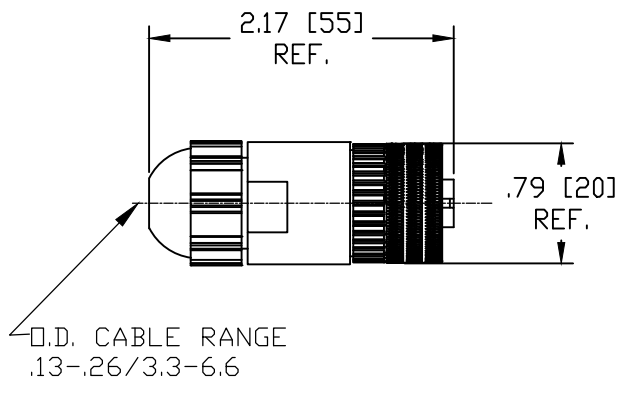
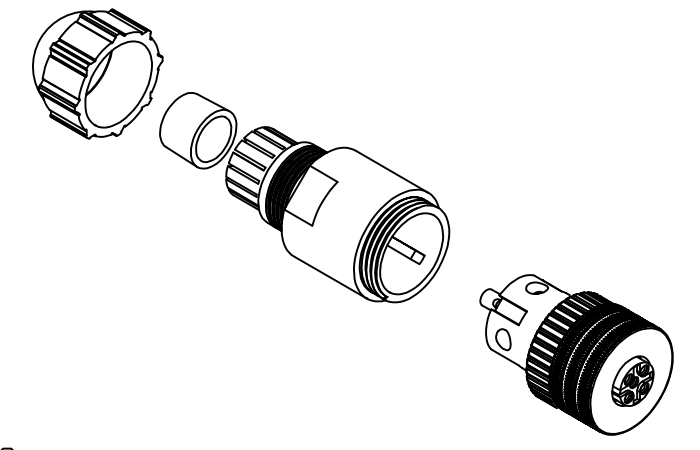
THE DATASHEET OF
1200710041



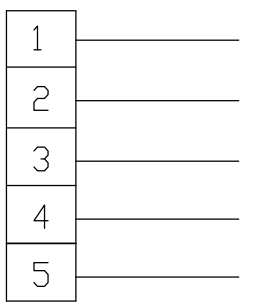
MATERIAL NUMBER	ENGINEERING NUMBER
1200710041	8A5000-31

TORQUE RECOMMENDATION:

CABLE SCREW PG7: 2.4Nm
 THREAD BETWEEN HOUSING AND INSERT: 0.8Nm
 STRAND SCREW (CONTACT): 0.4Nm



FEMALE FACE VIEW



WIRING CHART

VOLTAGE RATING	30VAC/36VDC
AMPERAGE RATING	4 AMPS
PROTECTION	IP67
OPERATING TEMPERATURE	-25°C TO 90°C
CSA CERTIFICATIONS	CSA CERTIFIED, FILE NO. LR6837

ITEM		COMPONENT	MATERIAL	FINISH
1	1	INSERT	POLYAMIDE	BLACK
2	5	CONTACTS	COPPER ALLOY	SILVER PLATED
3	1	O-RING	NITRILE	BLACK
4	1	COUPLING NUT	BRASS	NICKEL PLATED
5	1	MOLDED BODY	POLYAMIDE	BLACK
6	1	GROMMET	NITRILE	BLACK
7	1	CORD GRIP BODY	POLYAMIDE	BLACK

DESCRIPTION EC NO: IPG2013-1257 DRWN: REISSNER CHKD: APOHL APPR: CBURGER 13.02.13	QUALITY SYMBOLS	GENERAL TOLERANCES (UNLESS SPECIFIED) <table border="1"> <tr> <td></td> <td>mm</td> <td>INCH</td> </tr> <tr> <td>4 PLACES</td> <td>±---</td> <td>±---</td> </tr> <tr> <td>3 PLACES</td> <td>±---</td> <td>±---</td> </tr> <tr> <td>2 PLACES</td> <td>±---</td> <td>±---</td> </tr> <tr> <td>1 PLACE</td> <td>±0.3</td> <td>±---</td> </tr> <tr> <td>0 PLACE</td> <td>±0.5</td> <td>±---</td> </tr> </table>		mm	INCH	4 PLACES	±---	±---	3 PLACES	±---	±---	2 PLACES	±---	±---	1 PLACE	±0.3	±---	0 PLACE	±0.5	±---	DIMENSION STYLE MM	SCALE ---	DESIGN UNITS METRIC	THIRD ANGLE PROJECTION
			mm	INCH																				
	4 PLACES	±---	±---																					
	3 PLACES	±---	±---																					
	2 PLACES	±---	±---																					
1 PLACE	±0.3	±---																						
0 PLACE	±0.5	±---																						
= 0 = 0	DRAFT WHERE APPLICABLE MUST REMAIN WITHIN DIMENSIONS	DRAWN BY TWOLDEGE	DATE 2009/08/07	FA M12 5P AC FE STR UNSH BK BRA --- molex																				
A1	MATERIAL NO. 1200710041	CHECKED BY APOHL	DATE 2013/02/15				DOCUMENT NO. SD-120071-005	SHEET NO. 1 OF 1																
		SIZE A3	THIS DRAWING CONTAINS INFORMATION THAT IS PROPRIETARY TO MOLEX INCORPORATED AND SHOULD NOT BE USED WITHOUT WRITTEN PERMISSION																					

Looking for pricing, stock, or lifecycle information?

Click below to explore more details on WIN SOURCE:

 [View 1200710041 on WIN SOURCE](#)

 [Molex, LLC Information](#)

Optimize Your Supply Chain with WIN SOURCE Solutions

-  Global Sourcing Solution
-  Obsolete Management
-  Cost Control Management
-  Shortage Management
-  Alternative Solution
-  Excess Inventory Management