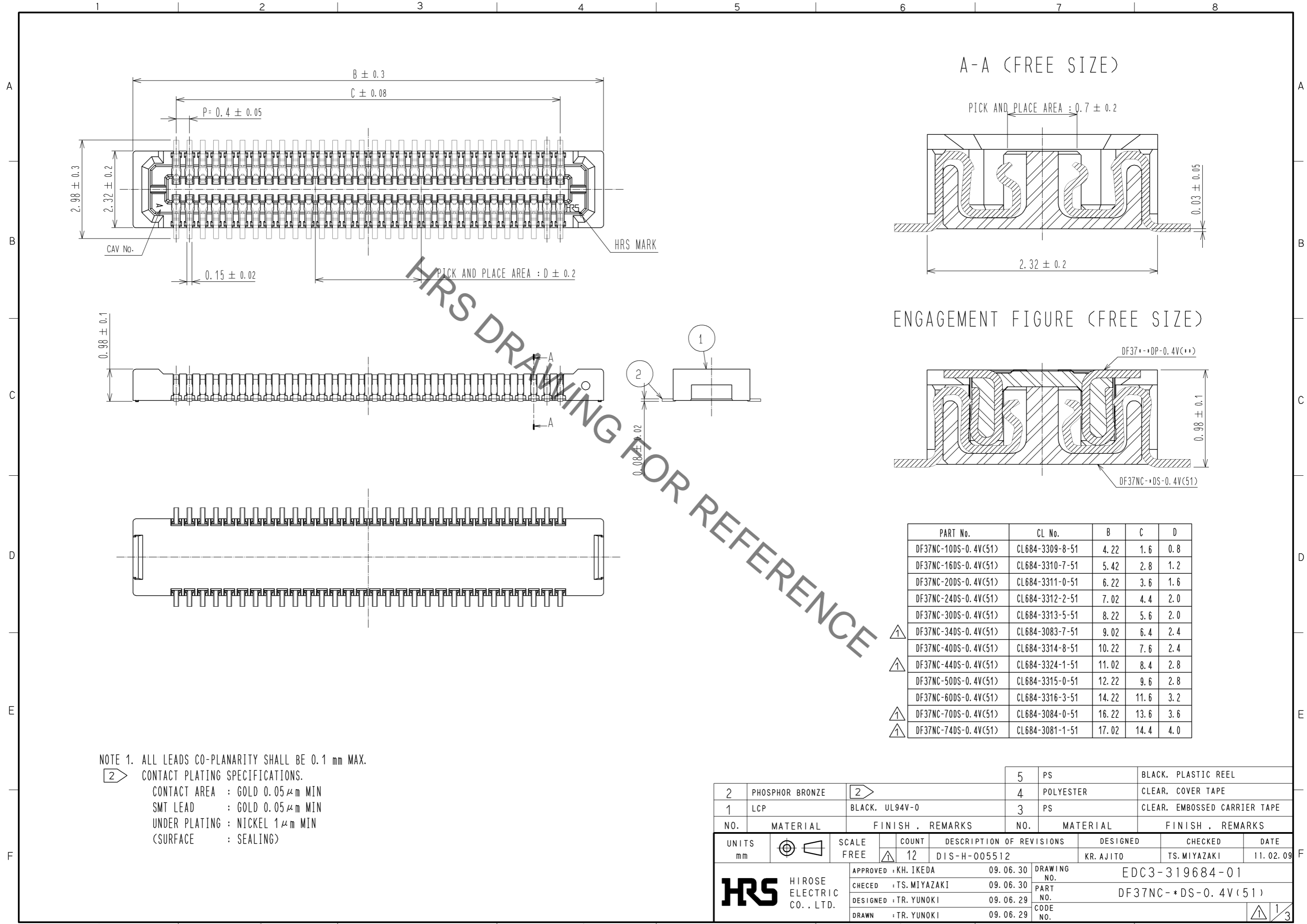




**THE DATASHEET OF
DF37NC-60DS-0.4V(51)**



Sep.1.2019 Copyright 2019 HIROSE ELECTRIC CO., LTD. All Rights Reserved.
In case of consideration for using Automotive equipment / device which demand high reliability, kindly contact our sales window correspondents.



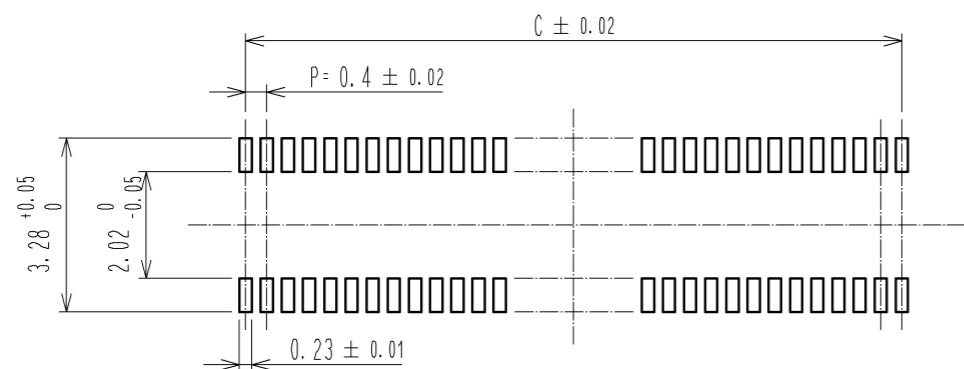
NOTE 1. ALL LEADS CO-PLANARITY SHALL BE 0.1 mm MAX.
 2 CONTACT PLATING SPECIFICATIONS.
 CONTACT AREA : GOLD 0.05 μm MIN
 SMT LEAD : GOLD 0.05 μm MIN
 UNDER PLATING : NICKEL 1 μm MIN
 (SURFACE : SEALING)

PART No.	CL No.	B	C	D
DF37NC-10DS-0.4V(51)	CL684-3309-8-51	4.22	1.6	0.8
DF37NC-16DS-0.4V(51)	CL684-3310-7-51	5.42	2.8	1.2
DF37NC-20DS-0.4V(51)	CL684-3311-0-51	6.22	3.6	1.6
DF37NC-24DS-0.4V(51)	CL684-3312-2-51	7.02	4.4	2.0
DF37NC-30DS-0.4V(51)	CL684-3313-5-51	8.22	5.6	2.0
DF37NC-34DS-0.4V(51)	CL684-3083-7-51	9.02	6.4	2.4
DF37NC-40DS-0.4V(51)	CL684-3314-8-51	10.22	7.6	2.4
DF37NC-44DS-0.4V(51)	CL684-3324-1-51	11.02	8.4	2.8
DF37NC-50DS-0.4V(51)	CL684-3315-0-51	12.22	9.6	2.8
DF37NC-60DS-0.4V(51)	CL684-3316-3-51	14.22	11.6	3.2
DF37NC-70DS-0.4V(51)	CL684-3084-0-51	16.22	13.6	3.6
DF37NC-74DS-0.4V(51)	CL684-3081-1-51	17.02	14.4	4.0

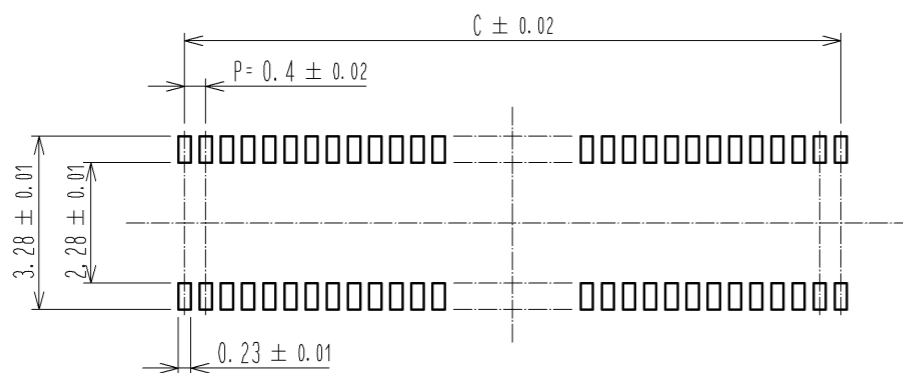
2	PHOSPHOR BRONZE	2	5	PS	BLACK, PLASTIC REEL
1	LCP	BLACK, UL94V-0	4	POLYESTER	CLEAR, COVER TAPE
			3	PS	CLEAR, EMBOSSED CARRIER TAPE
NO.	MATERIAL	FINISH, REMARKS	NO.	MATERIAL	FINISH, REMARKS
UNITS	mm	SCALE	FREE	COUNT	12
DESCRIPTION OF REVISIONS			DESIGNED	CHECKED	DATE
DIS-H-005512			KR. AJITO	TS. MIYAZAKI	11.02.09
APPROVED : KH. IKEDA 09.06.30			DRAWING NO. EDC3-319684-01		
CHECKED : TS. MIYAZAKI 09.06.30			PART NO. DF37NC-*DS-0.4V(51)		
DESIGNED : TR. YUNOKI 09.06.29			CODE NO.		
DRAWN : TR. YUNOKI 09.06.29			1/3		

Sep.1.2019 Copyright 2019 HIROSE ELECTRIC CO., LTD. All Rights Reserved.
In case of consideration for using Automotive equipment / device which demand high reliability, kindly contact our sales window correspondents.

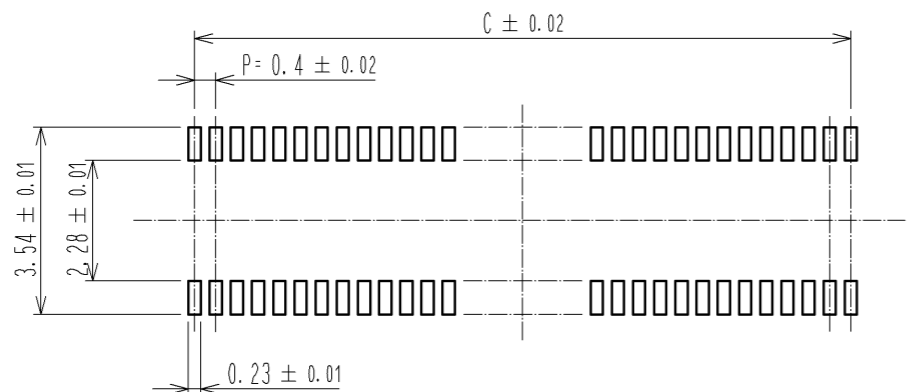
◆ RECOMMENDED PCB LAYOUT (MOUNTING SURFACE SIDE)



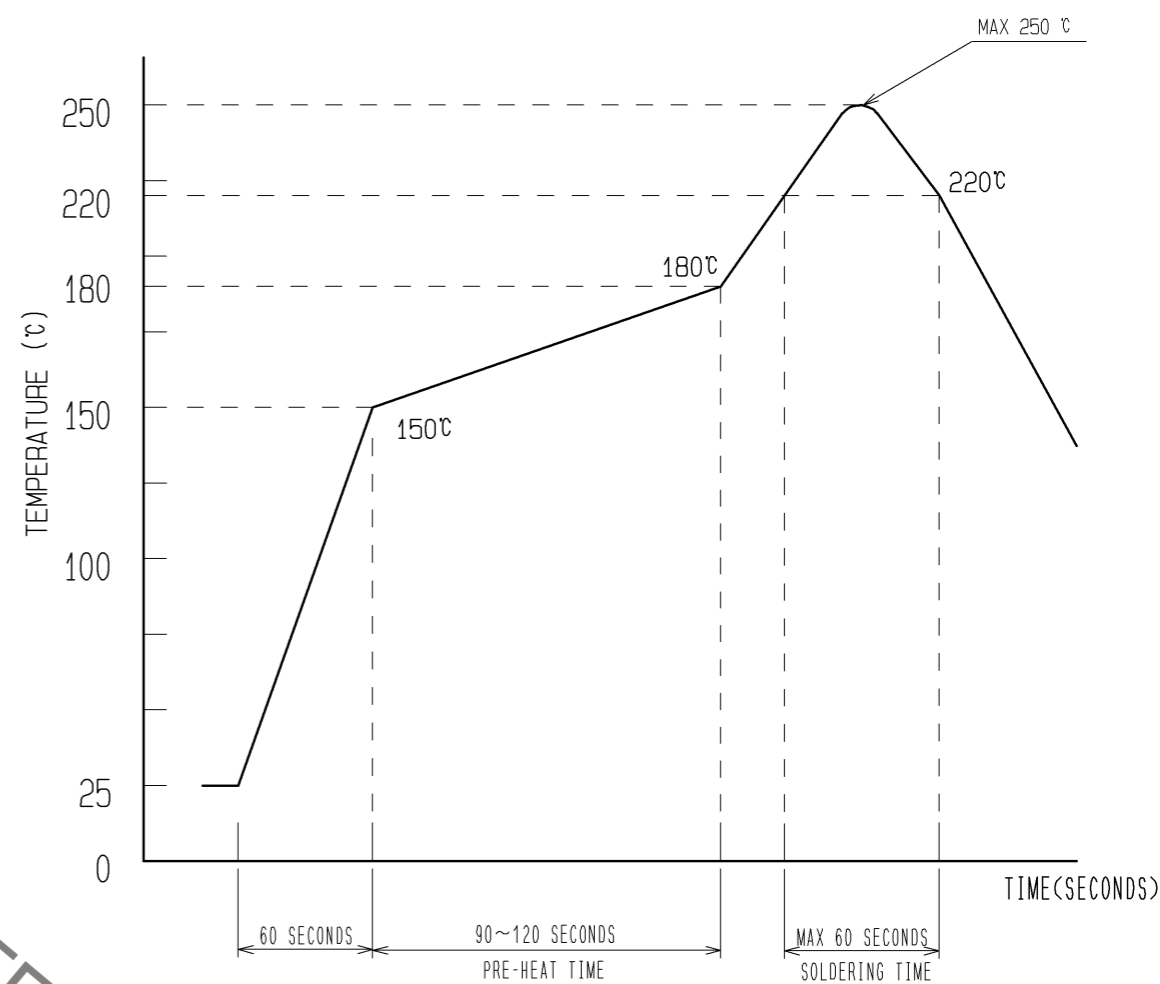
◆ RECOMMENDED METAL MASK DIMENSIONS
METAL MASK THICKNESS : 0.12mm



◆ RECOMMENDED METAL MASK DIMENSIONS
METAL MASK THICKNESS : 0.1mm



③ RECOMMENDED REFLOW TEMPERATURE PROFILE USING LEAD-FREE SOLDER PASTE.



- 1) REFLOW TIME
REFLOW METHOD: IR REFLOW
NUMBER OF REFLOW CYCLES: 2 CYCLES MAX.
DURATION ABOVE 220 °C, 60 SEC. MAX.
(PEAK TEMPERATURE: 250°C MAX.)
- 2) PRE-HEAT TIME
PRE-HEAT TEMPERATURE(MIN) : 150 °C
PRE-HEAT TEMPERATURE(MAX) : 180 °C
PRE-HEAT TIME : 90~120 sec.

③ THIS TEMPERATURE PROFILE IS PER THE CONDITIONS SHOWN ABOVE. ADDITIONAL FACTORS, SUCH AS SOLDER PASTE TYPE, PCB SIZE AND OTHER MOUNTED COMPONENTS COULD AFFECT THE PROFILE. THEREFORE, A THOROUGH EVALUATION OF MOUNTING CONDITION IS REQUIRED PRIOR TO PRODUCTION. TEMPERATURE IS MEASURED AT CONTACT LEAD.

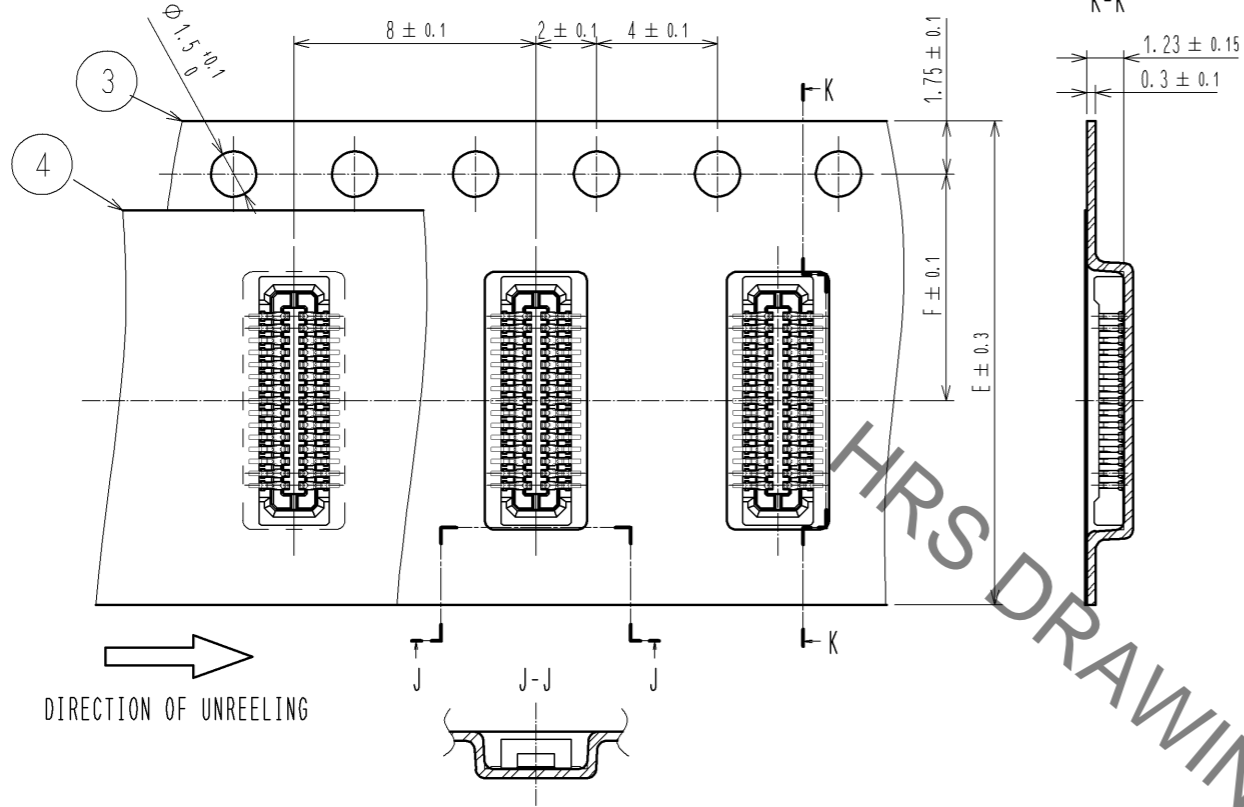
PART No.	C
DF37NC-10DS-0.4V(51)	1.6
DF37NC-16DS-0.4V(51)	2.8
DF37NC-20DS-0.4V(51)	3.6
DF37NC-24DS-0.4V(51)	4.4
DF37NC-30DS-0.4V(51)	5.6
DF37NC-34DS-0.4V(51)	6.4
DF37NC-40DS-0.4V(51)	7.6
DF37NC-44DS-0.4V(51)	8.4
DF37NC-50DS-0.4V(51)	9.6
DF37NC-60DS-0.4V(51)	11.6
DF37NC-70DS-0.4V(51)	13.6
DF37NC-74DS-0.4V(51)	14.4

HRS	DRAWING NO.	EDC3-319684-01
	PART NO.	DF37NC-*DS-0.4V(51)
	CODE NO.	

Sep.1.2019 Copyright 2019 HIROSE ELECTRIC CO., LTD. All Rights Reserved.
In case of consideration for using Automotive equipment / device which demand high reliability, kindly contact our sales window correspondents.

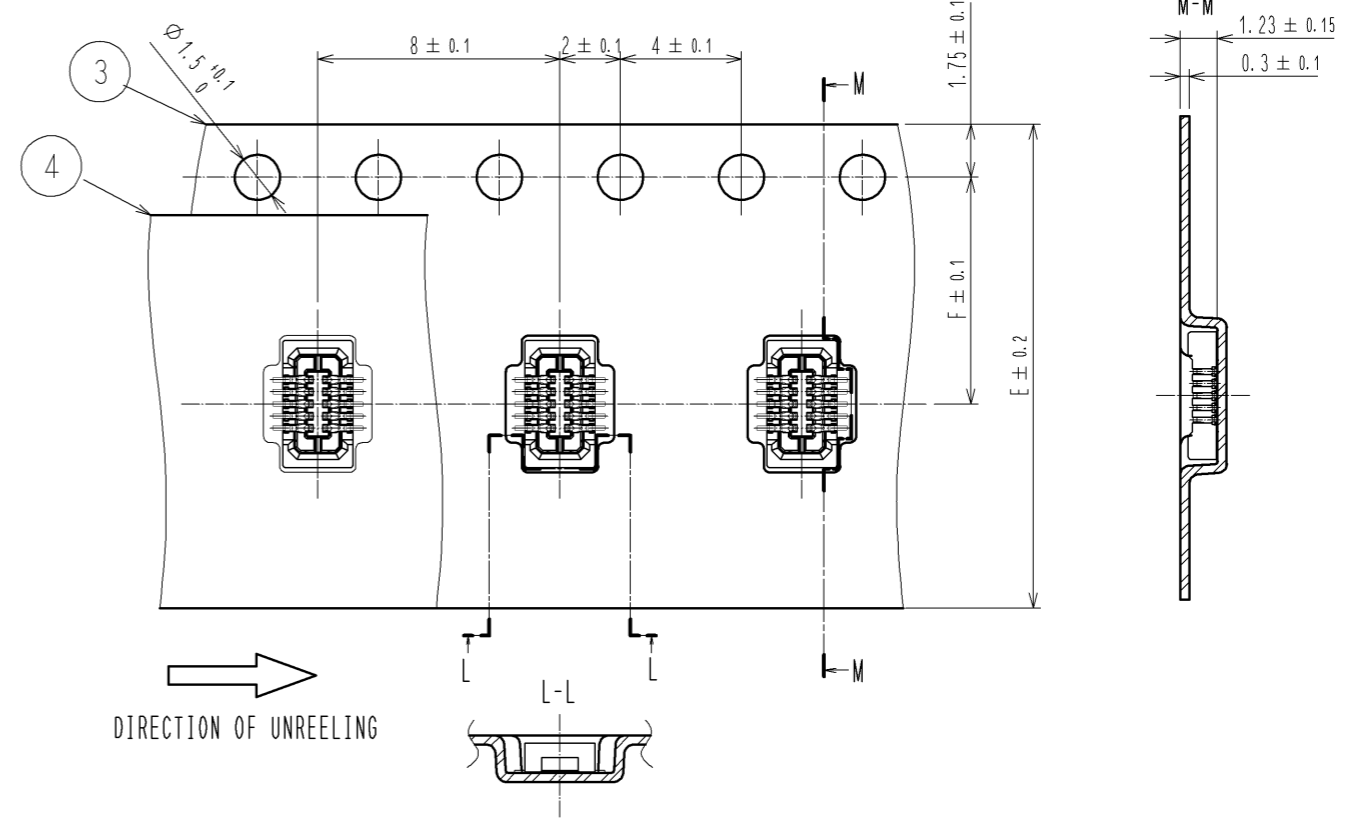
EMBOSSED CARRIER TAPE PACKAGING (FREE SIZE)

◆MORE THAN 20 POS.

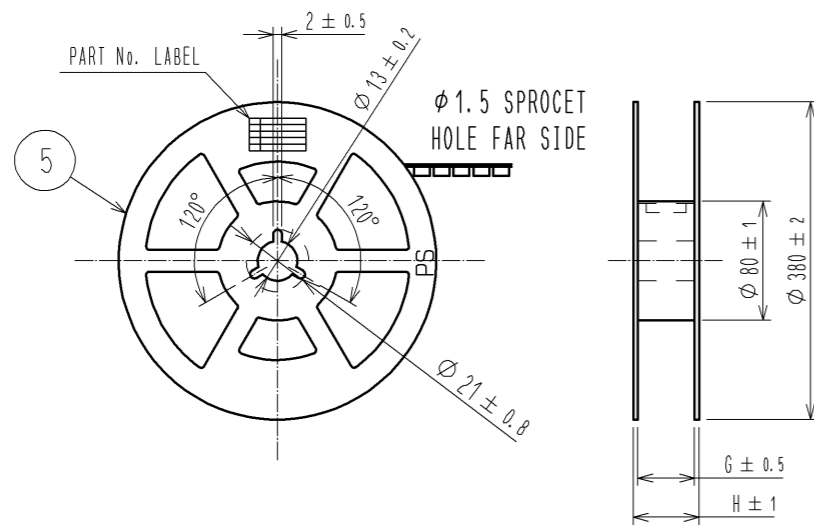


EMBOSSED CARRIER TAPE PACKAGING (FREE SIZE)

◆LESS THAN 20 POS.



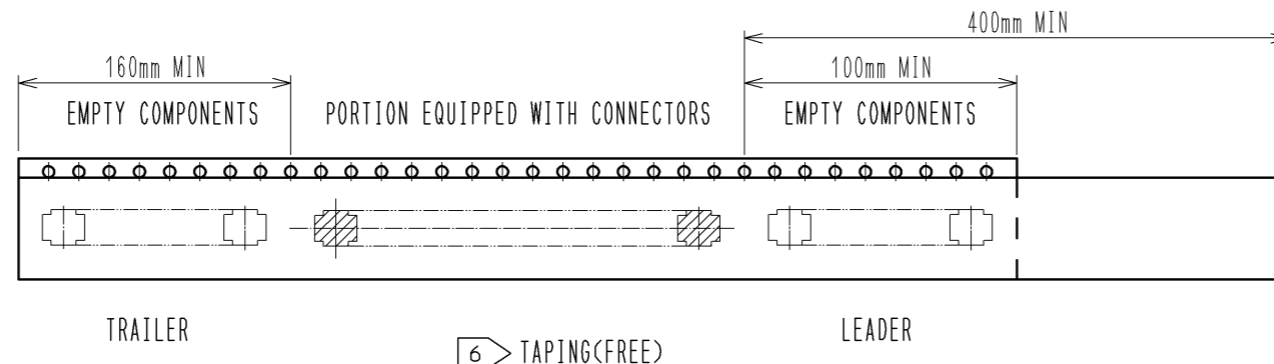
STYLE AND DIMENSION OF REEL (FREE SIZE)



DETAIL OF PART No. LABEL

SUPPLIER	HIROSE ELECTRIC CO., LTD.
QUANTITY	8000個
PART NO.	DF37NC-DS-0.4V(51)
CODE NO.	** ** *
DATE OF MANUFACTURED	年 月 日
製造年月日	年 月 日
製品コード	** ** *
製品名	DF37NC-DS-0.4V(51)
数量	8000個
納入者	ヒロセ電機(株)

PART No.	E	F	G	H
DF37NC-10DS-0.4V(51)	16	7.5	17.5	21.5
DF37NC-16DS-0.4V(51)	16	7.5	17.5	21.5
DF37NC-20DS-0.4V(51)	16	7.5	17.5	21.5
DF37NC-24DS-0.4V(51)	16	7.5	17.5	21.5
DF37NC-30DS-0.4V(51)	24	11.5	25.5	29.5
DF37NC-34DS-0.4V(51)	24	11.5	25.5	29.5
DF37NC-40DS-0.4V(51)	24	11.5	25.5	29.5
DF37NC-44DS-0.4V(51)	24	11.5	25.5	29.5
DF37NC-50DS-0.4V(51)	24	11.5	25.5	29.5
DF37NC-60DS-0.4V(51)	24	11.5	25.5	29.5
DF37NC-70DS-0.4V(51)	32	14.2	33.5	37.5
DF37NC-74DS-0.4V(51)	32	14.2	33.5	37.5



- NOTES 4. PER REEL 8000 CONNECTORS.
5. THE DIMENSIONS IN PARENTHESES ARE FOR REFERENCE.
6 REFER TO JIS C 0806(PACKING OF COMPONENTS FOR AUTOMATIC HANDLING)
7 DETAIL OF PART No. LABEL IS WRITTEN IN JAPANESE.

HRS	DRAWING NO.	EDC3-319684-01
	PART NO.	DF37NC-DS-0.4V(51)
	CODE NO.	

Looking for pricing, stock, or lifecycle information?

Click below to explore more details on WIN SOURCE:

- [View DF37NC-60DS-0.4V\(51\) on WIN SOURCE](#)
- [Hirose Electric Co Ltd Information](#)

Optimize Your Supply Chain with WIN SOURCE Solutions

- ✓ Global Sourcing Solution
- ✓ Obsolete Management
- ✓ Cost Control Management
- ✓ Shortage Management
- ✓ Alternative Solution
- ✓ Excess Inventory Management