

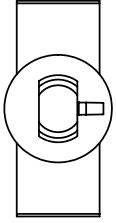


**THE DATASHEET OF
LCBS-8-5-01**

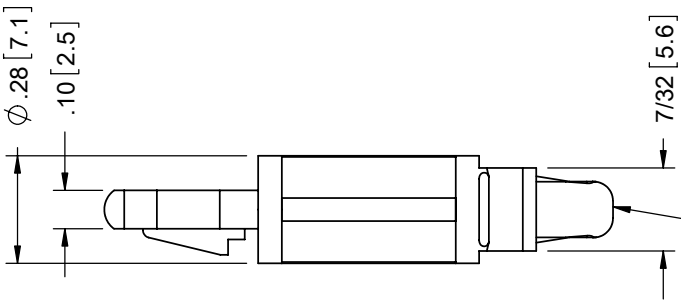
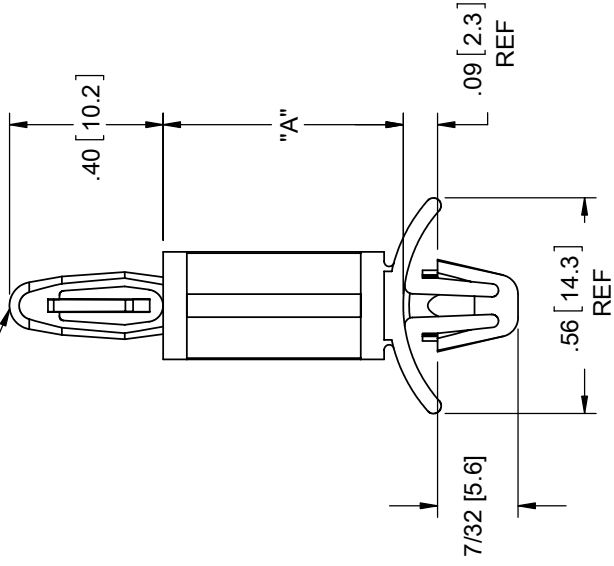


AVAILABLE BY SPECIAL ORDER- NAFTA REGION ONLY

MATE
UL 9



TO SNAP-LOCK IN A .156±.003
[4±0.08] DIA. HOLE, IN A
.062 [1.57] PANEL THICKNESS



TO SNAP-LOCK IN A .187±.003
[4.75±0.08] DIA. HOLE, IN A
.008-.055 [0.2-1.4] PANEL THICKNESS

- NOTES:
1. MATERIAL: NYLON 6/6 UL 94 V-0 (RMS-19).
AVAILABLE BY SPECIAL ORDER. TO ORDER
REPLACE "-01" WITH "-19".
 2. COLOR: NATURAL.
 3. ALTERNATE UNITS FOR REFERENCE ONLY.



TITLE: **LOCKING CIRCUIT BOARD SUPPORT**

C	REDRAW, SEE ECN #208 FOR CHANGES	SK	11/29/06
B	SEE ECN #862 FOR CHANGES	SM	10/04/04
A	UPDATED PRINT AND CHANGED FILE NO.	SK	10/01/01
REV.	DESCRIPTION	ENGR.	DATE

CREATED USING SOLIDWORKS	FILE #: LCBS-8	DWN: SK	APP: RT
TOLERANCES UNLESS NOTED XX±.010 XXX±.005 FRAC = ±1/64 ANG = ±1°	SHEET: 1 OF 1	DT: 08/25/06	CHKD: SJ
	RE: RICHCO, INC.		RICHCO, INC. ENG@RICHCO-INC.COM (773) 539-4060

Looking for pricing, stock, or lifecycle information?

Click below to explore more details on WIN SOURCE:

-  [View LCBS-8-5-01](#) on WIN SOURCE
-  [Essentra Components](#) Information

Optimize Your Supply Chain with WIN SOURCE Solutions

-  Global Sourcing Solution
-  Obsolete Management
-  Cost Control Management
-  Shortage Management
-  Alternative Solution
-  Excess Inventory Management