



# THE DATASHEET OF TLV803MDBZT



## TLV8x3 3-Pin Voltage Supervisors with Active-Low, Open-Drain Reset

### 1 Features

- 3-Pin SOT23 Package
- Supply Current: 9  $\mu$ A (Typical)
- Precision Supply Voltage Monitor: 2.5 V, 3 V, 3.3 V, 5 V
- Power-On Reset Generator with Fixed Delay Time of 200 ms
- Pin-for-Pin Compatible with MAX803
- Temperature Range:  $-40^{\circ}\text{C}$  to  $+125^{\circ}\text{C}$
- Open-Drain,  $\overline{\text{RESET}}$  Output

### 2 Applications

- DSPs, Microcontrollers, and Microprocessors
- Portable and Battery-Powered Equipment
- Set-Top Boxes
- Servers
- Appliances
- Programmable Controls
- Intelligent Instruments
- Industrial Equipment
- Automotive Systems

### 3 Description

The TLV8x3 family of supervisory circuits provides circuit initialization and timing supervision, primarily for DSPs and processor-based systems.

The TLV803, TLV853, and TLV863 are functionally equivalent. The TLV853 and TLV863 provide an alternate pinout of the TLV803.

During power on,  $\overline{\text{RESET}}$  asserts when the supply voltage ( $V_{\text{DD}}$ ) exceeds 1.1 V. Thereafter, the supervisory circuit monitors  $V_{\text{DD}}$  and keeps  $\overline{\text{RESET}}$  active as long as  $V_{\text{DD}}$  remains below the threshold voltage  $V_{\text{IT}}$ . An internal timer delays the return of the output to the inactive state (high) to ensure proper system reset. The delay time ( $t_{\text{d(typ)}} = 200$  ms) starts after  $V_{\text{DD}}$  exceeds the threshold voltage,  $V_{\text{IT}}$ . When the supply voltage drops below the  $V_{\text{IT}}$  threshold voltage, the output is active (low) again. All the devices in this family have a fixed sense-threshold voltage ( $V_{\text{IT}}$ ) set by an internal voltage divider.

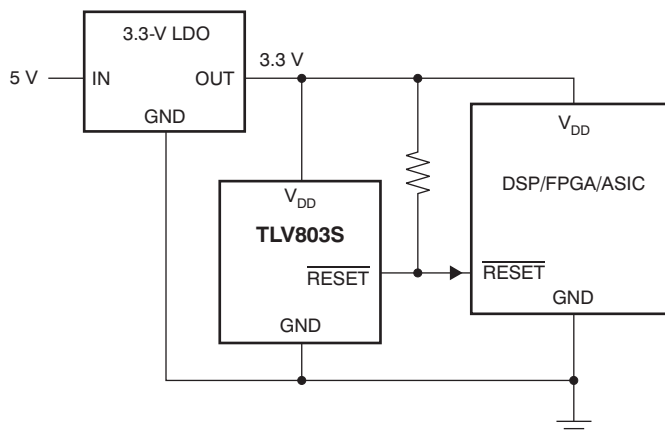
The product spectrum is designed for supply voltages of 2.5 V, 3 V, 3.3 V, and 5 V. These devices are available in a 3-pin SOT-23 package. The TLV803 devices are characterized for operation over a temperature range of  $-40^{\circ}\text{C}$  to  $+125^{\circ}\text{C}$ .

#### Device Information<sup>(1)</sup>

| PART NUMBER | PACKAGE    | BODY SIZE (NOM)   |
|-------------|------------|-------------------|
| TLV8x3      | SOT-23 (3) | 2.92 mm x 1.30 mm |

(1) For all available packages, see the package option addendum at the end of the data sheet.

#### Typical Application



## Table of Contents

|  |          |  |           |
|--|----------|--|-----------|
| <b>1 Features</b> .....                        | <b>1</b> | 8.4 Device Functional Modes .....                                | <b>8</b>  |
| <b>2 Applications</b> .....                    | <b>1</b> | <b>9 Application and Implementation</b> .....                    | <b>9</b>  |
| <b>3 Description</b> .....                     | <b>1</b> | 9.1 Application Information .....                                | <b>9</b>  |
| <b>4 Revision History</b> .....                | <b>2</b> | 9.2 Typical Application .....                                    | <b>10</b> |
| <b>5 Device Comparison</b> .....               | <b>3</b> | <b>10 Power Supply Recommendations</b> .....                     | <b>11</b> |
| <b>6 Pin Configuration and Functions</b> ..... | <b>3</b> | <b>11 Layout</b> .....   | <b>11</b> |
| <b>7 Specifications</b> .....                  | <b>4</b> | 11.1 Layout Guidelines .....                                     | <b>11</b> |
| 7.1 Absolute Maximum Ratings .....             | <b>4</b> | 11.2 Layout Example .....  | <b>11</b> |
| 7.2 ESD Ratings .....                          | <b>4</b> | <b>12 Device and Documentation Support</b> .....                 | <b>12</b> |
| 7.3 Thermal Information .....                  | <b>4</b> | 12.1 Device Support .....  | <b>12</b> |
| 7.4 Recommended Operating Conditions .....     | <b>4</b> | 12.2 Documentation Support .....                                 | <b>12</b> |
| 7.5 Electrical Characteristics .....           | <b>5</b> | 12.3 Related Links .....   | <b>12</b> |
| 7.6 Switching Characteristics .....            | <b>5</b> | 12.4 Community Resources .....                                   | <b>12</b> |
| 7.7 Typical Characteristics .....              | <b>6</b> | 12.5 Trademarks .....  | <b>13</b> |
| <b>8 Detailed Description</b> .....            | <b>7</b> | 12.6 Electrostatic Discharge Caution .....                       | <b>13</b> |
| 8.1 Overview .....                             | <b>7</b> | 12.7 Glossary .....  | <b>13</b> |
| 8.2 Functional Block Diagram .....             | <b>7</b> | <b>13 Mechanical, Packaging, and Orderable Information</b> ..... | <b>13</b> |
| 8.3 Feature Description .....                  | <b>7</b> |  |           |

## 4 Revision History

NOTE: Page numbers for previous revisions may differ from page numbers in the current version.

| <b>Changes from Revision B (August 2011) to Revision C</b>   | <b>Page</b> |
|--|-------------|
| • Added TLV853 device to data sheet .....  | <b>1</b>    |
| • Changed device part numbers shown on page header to show single TLV803 device instead of lettered-device versions  | <b>1</b>    |
| • Added <i>Device Information</i> and <i>ESD Ratings</i> tables .....  | <b>1</b>    |
| • Added <i>Detailed Description</i> , <i>Application and Implementation</i> , <i>Power-Supply Recommendations</i> , <i>Layout</i> , <i>Device and Documentation Support</i> , and <i>Mechanical, Packaging, and Orderable Information</i> sections ..... | <b>1</b>    |
| • Changed <i>Applications</i> section bullets .....  | <b>1</b>    |
| • Deleted pinouts from front page and moved to <i>Pin Configurations and Functions</i> section .....   | <b>1</b>    |
| • Deleted Package/Ordering Information table; for package and ordering information, see the package option addendum at the end of the data sheet. ....   | <b>3</b>    |
| • Changed all "free-air" to "junction" and all "T <sub>A</sub> " to "T <sub>J</sub> " for all temperature ranges throughout data sheet .....   | <b>4</b>    |
| • Changed "free-air temperature" to "junction temperature" in <i>Absolute Maximum Ratings</i> condition statement .....  | <b>4</b>    |
| • Deleted <i>Soldering temperature</i> from <i>Absolute Maximum Ratings</i> table .....  | <b>4</b>    |
| • Changed <i>Thermal Information</i> table; updated thermal resistance values for all parameters .....   | <b>4</b>    |
| • Changed "free-air temperature" to "junction temperature" in <i>Electrical Characteristics</i> condition statement .....  | <b>5</b>    |
| • Changed temperature noted in <i>Switching Characteristics</i> condition statement .....  | <b>5</b>    |

| <b>Changes from Revision A (June 2011) to Revision B</b>                   | <b>Page</b> |
|--|-------------|
| • Added new paragraph regarding TLV863 to <i>Description</i> section ..... | <b>1</b>    |
| • Added TLV863 pinout to front page .....                                  | <b>1</b>    |
| • Added TLV863M to Package/Ordering Information .....                      | <b>3</b>    |
| • Added TLV863 to Thermal Information .....                                | <b>4</b>    |
| • Added TLV863M to Negative-Going Input Threshold Voltage parameter .....  | <b>5</b>    |
| • Added TLV863M to Hysteresis parameter .....                              | <b>5</b>    |
| • Added TLV863 to Functional Block Diagram .....                           | <b>7</b>    |

## 5 Device Comparison

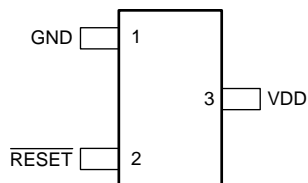
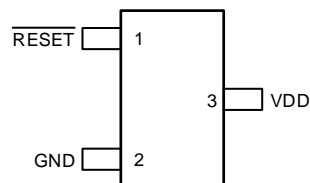
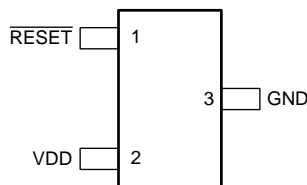
**Table 1. Device Threshold Options**

| DEVICE  | THRESHOLD VOLTAGE |
|---------|-------------------|
| TLV803Z | 2.25 V            |
| TLV803R | 2.64 V            |
| TLV803S | 2.93 V            |
| TLV803M | 4.38 V            |
| TLV853M | 4.38 V            |
| TLV863M | 4.38 V            |

**Table 2. Device Family Comparison**

| DEVICE                 | FUNCTION                                     |
|------------------------|--|
| TLV803                 | Open-Drain, $\overline{\text{RESET}}$ Output |
| <a href="#">TLV809</a> | Push-Pull, $\overline{\text{RESET}}$ Output  |
| <a href="#">TLV810</a> | Push-Pull, RESET Output                      |

## 6 Pin Configuration and Functions

**TLV803: DBZ Package  
3-Pin SOT-23  
Top View**

**TLV853: DBZ Package  
3-Pin SOT-23  
Top View**

**TLV863: DBZ Package  
3-Pin SOT-23  
Top View**


### Pin Functions

| NAME                      | PIN    |        |        | I/O | DESCRIPTION   |
|---------------------------|--------|--------|--------|-----|---|
|                           | TLV803 | TLV853 | TLV863 |     |   |
| GND                       | 1      | 2      | 3      | —   | Ground pin.   |
| $\overline{\text{RESET}}$ | 2      | 1      | 1      | O   | $\overline{\text{RESET}}$ is an open-drain output that is driven to a low impedance state when $\overline{\text{RESET}}$ is asserted. $\overline{\text{RESET}}$ remains low (asserted) for the delay time ( $t_d$ ) after $V_{DD}$ exceeds $V_{IT-}$ . Use a 10-k $\Omega$ to 1-M $\Omega$ pullup resistor on this pin. The pullup voltage is not limited by $V_{DD}$ . |
| VDD                       | 3      | 3      | 2      | I   | Supply voltage pin. It is good analog design practice to place a 0.1- $\mu\text{F}$ ceramic capacitor close to this pin.  |

## 7 Specifications

### 7.1 Absolute Maximum Ratings<sup>(1)</sup>

over operating junction temperature range (unless otherwise noted)

|             |   | MIN  | MAX | UNIT |
|-------------|---|------|-----|------|
| Voltage     | VDD <sup>(2)</sup>  | 0    | 7   | V    |
|             | All other pins <sup>(2)</sup>   | -0.3 | +7  |      |
| Current     | Maximum low output current, I <sub>OL</sub>   |      | 5   | mA   |
|             | Maximum high output current, I <sub>OH</sub>  |      | -5  |      |
|             | Input clamp current, I <sub>IK</sub> (V <sub>I</sub> < 0 or V <sub>I</sub> > V <sub>DD</sub> )  |      | ±20 |      |
|             | Output clamp current, I <sub>OK</sub> (V <sub>O</sub> < 0 or V <sub>O</sub> > V <sub>DD</sub> ) |      | ±20 |      |
| Temperature | Operating junction temperature range, T <sub>J</sub>  | -40  | 125 | °C   |
|             | Storage temperature range, T <sub>stg</sub>   | -65  | 150 |      |

- (1) Stresses beyond those listed under *Absolute Maximum Ratings* may cause permanent damage to the device. These are stress ratings only, and functional operation of the device at these or any other conditions beyond those indicated under *Recommended Operating Conditions* is not implied. Exposure to absolute-maximum-rated conditions for extended periods may affect device reliability.
- (2) All voltage values are with respect to GND. For reliable operation the device should not be operated at 7 V for more than t = 1000h continuously

### 7.2 ESD Ratings

|                    |                         | VALUE  | UNIT  |
|--------------------|-------------------------|--|-------|
| V <sub>(ESD)</sub> | Electrostatic discharge | Human-body model (HBM), per ANSI/ESDA/JEDEC JS-001 <sup>(1)</sup>              | ±2000 |
|                    |                         | Charged-device model (CDM), per JEDEC specification JESD22-C101 <sup>(2)</sup> | ±500  |

- (1) JEDEC document JEP155 states that 500-V HBM allows safe manufacturing with a standard ESD control process.
- (2) JEDEC document JEP157 states that 250-V CDM allows safe manufacturing with a standard ESD control process.

### 7.3 Thermal Information

| THERMAL METRIC <sup>(1)</sup> |  | TLV8x3       | UNITS |
|-------------------------------|--|--------------|-------|
|                               |  | DBZ (SOT-23) |       |
|                               |  | 3 PINS       |       |
| R <sub>θJA</sub>              | Junction-to-ambient thermal resistance       | 328.5        | °C/W  |
| R <sub>θJC(top)</sub>         | Junction-to-case (top) thermal resistance    | 135.4        | °C/W  |
| R <sub>θJB</sub>              | Junction-to-board thermal resistance         | 58.3         | °C/W  |
| Ψ <sub>JT</sub>               | Junction-to-top characterization parameter   | 5.2          | °C/W  |
| Ψ <sub>JB</sub>               | Junction-to-board characterization parameter | 59.6         | °C/W  |
| R <sub>θJC(bot)</sub>         | Junction-to-case (bottom) thermal resistance | N/A          | °C/W  |

- (1) For more information about traditional and new thermal metrics, see the *IC Package Thermal Metrics* application report, [SPRA953](#).

### 7.4 Recommended Operating Conditions

at specified temperature range (unless otherwise noted)

|                 |                                | MIN | MAX | UNIT |
|-----------------|--------------------------------|-----|-----|------|
| V <sub>DD</sub> | Supply voltage                 | 1.1 | 6   | V    |
| T <sub>J</sub>  | Operating junction temperature | -40 | 125 | °C   |

### 7.5 Electrical Characteristics

over recommended operating junction temperature range (unless otherwise noted)

| PARAMETER                             |   | TEST CONDITIONS  | MIN     | TYP  | MAX  | UNIT |    |
|---------------------------------------|---|--|---------|------|------|------|----|
| V <sub>OL</sub>                       | Low-level output voltage                              | V <sub>DD</sub> = 2 V to 6 V, I <sub>OL</sub> = 500 μA |         |      | 0.2  | V    |    |
|                                       |   | V <sub>DD</sub> = 3.3 V, I <sub>OL</sub> = 2 mA        |         |      | 0.4  |      |    |
|                                       |   | V <sub>DD</sub> = 6 V, I <sub>OL</sub> = 4 mA          |         |      | 0.4  |      |    |
| Power-up reset voltage <sup>(1)</sup> |   | I <sub>OL</sub> = 50 μA, V <sub>OL</sub> < 0.2 V       | 1.1     |      |      | V    |    |
| V <sub>IT-</sub>                      | Negative-going input threshold voltage <sup>(2)</sup> | T <sub>J</sub> = -40°C to +125°C                       | TLV803Z | 2.20 | 2.25 | 2.30 | V  |
|                                       |   |  | TLV803R | 2.58 | 2.64 | 2.70 |    |
|                                       |   |  | TLV803S | 2.87 | 2.93 | 2.99 |    |
|                                       |   |  | TLV8x3M | 4.28 | 4.38 | 4.48 |    |
| V <sub>hys</sub>                      | Hysteresis  | T <sub>J</sub> = 25°C, I <sub>OL</sub> = 50 μA         | TLV803Z |      | 30   |      | mV |
|                                       |   |  | TLV803R |      | 35   |      |    |
|                                       |   |  | TLV803S |      | 40   |      |    |
|                                       |   |  | TLV8x3M |      | 60   |      |    |
| I <sub>DD</sub>                       | Supply current  | V <sub>DD</sub> = 2 V, output unconnected              |         | 9    | 15   | μA   |    |
|                                       |   | V <sub>DD</sub> = 6 V, output unconnected              |         | 20   | 30   |      |    |
| I <sub>OH</sub>                       | Output leakage current                                | V <sub>DD</sub> = 6 V                                  |         |      | 100  | nA   |    |

(1) The lowest supply voltage at which  $\overline{\text{RESET}}$  becomes valid.  $t_{r,VDD} \leq 66.7$  V/ms.

(2) To ensure best stability of the threshold voltage, place a bypass capacitor (0.1-μF ceramic) near the supply terminals.

### 7.6 Switching Characteristics

over operating temperature range (unless otherwise noted)

| PARAMETER      | TEST CONDITIONS                   | MIN  | TYP | MAX | UNIT |    |
|----------------|-----------------------------------|--|-----|-----|------|----|
| t <sub>w</sub> | Pulse duration at V <sub>DD</sub> | V <sub>DD</sub> = 1.08 V <sub>IT-</sub> to 0.92 V <sub>IT-</sub>               | 1   |     | μs   |    |
| t <sub>d</sub> | Delay time                        | V <sub>DD</sub> ≥ V <sub>IT-</sub> + 0.2 V; see <a href="#">Timing Diagram</a> | 120 | 200 | 280  | ms |

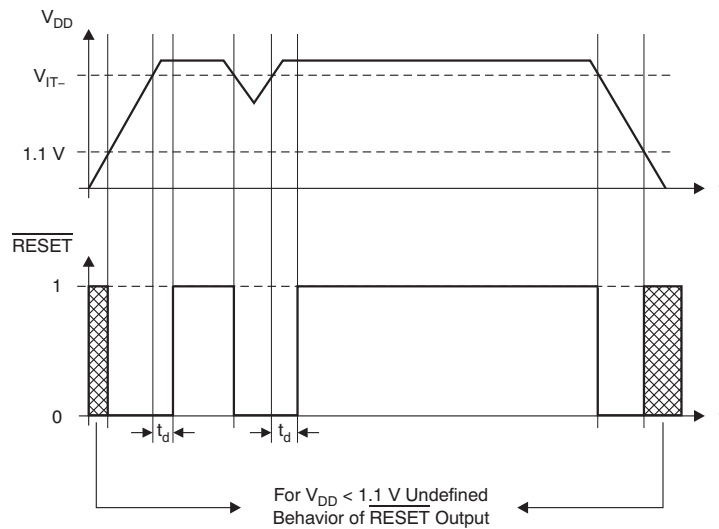


Figure 1. Timing Diagram

## 7.7 Typical Characteristics

at  $T_J = 25^\circ\text{C}$ ,  $V_{IT-} = 4.38\text{ V}$ , and  $V_{DD} = 5.0\text{ V}$  (unless otherwise noted)

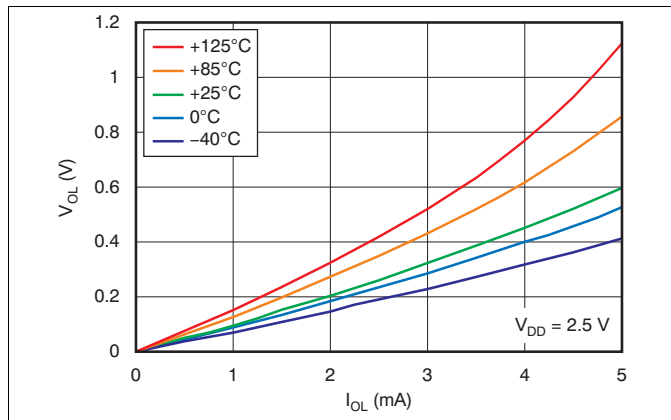


Figure 2. Low-Level Output Voltage vs Low-Level Output Current

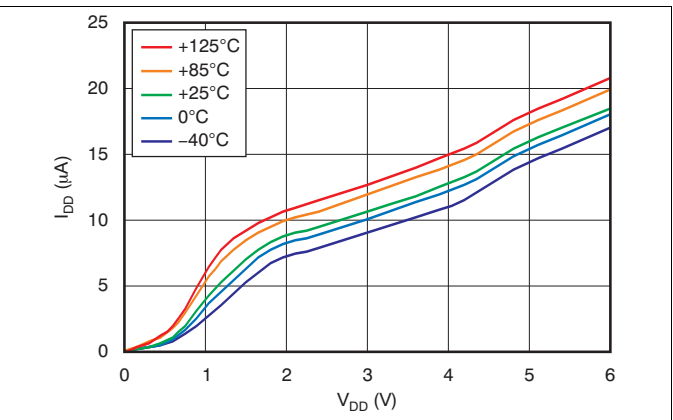


Figure 3. Supply Current vs Supply Voltage

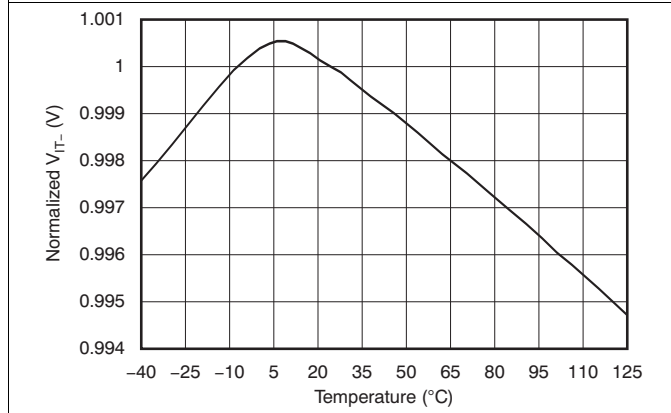


Figure 4. Normalized to 25°C Negative-Going Input Threshold Voltage vs Temperature

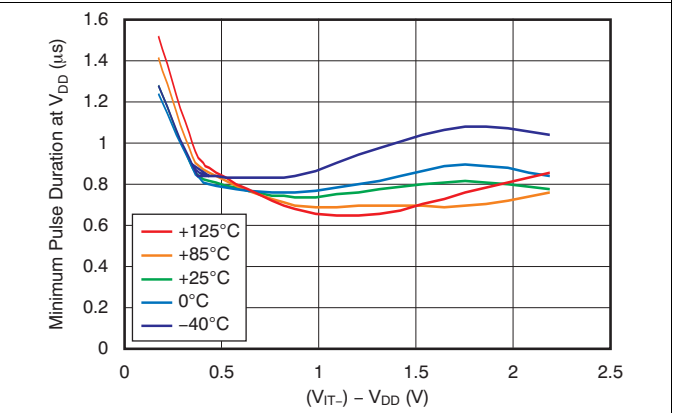


Figure 5. Minimum Pulse Duration At  $V_{DD}$  vs Overdrive Voltage

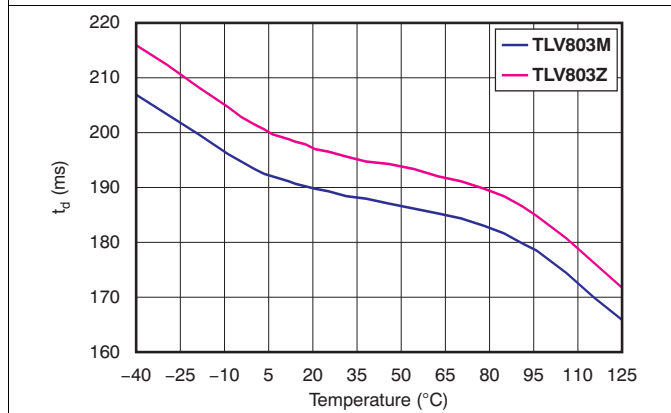


Figure 6. Delay Time vs Temperature

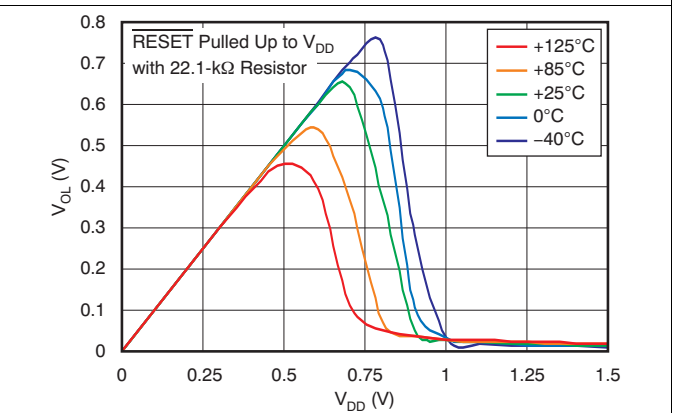


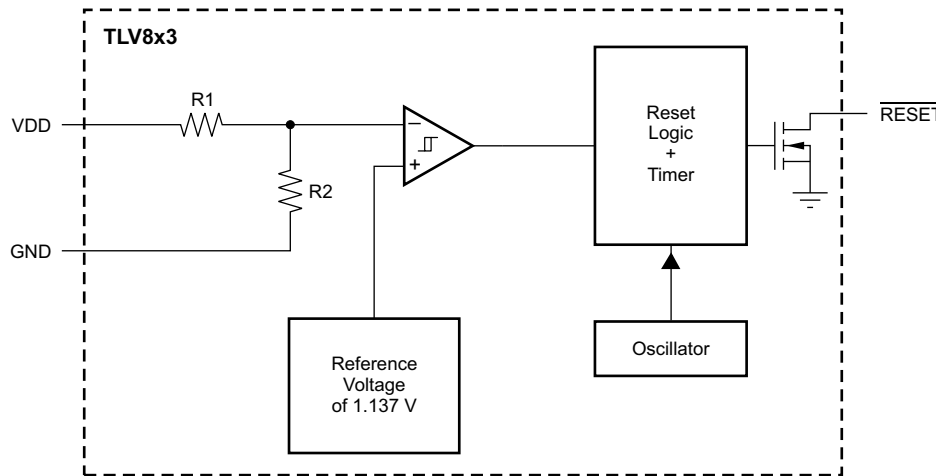
Figure 7. Power-Up Low-Level Output Voltage vs Supply Voltage

## 8 Detailed Description

### 8.1 Overview

The TLV803 family of supervisory circuits provides circuit initialization and timing supervision. The TLV853 and TLV863 are both functionally equivalent to the TLV803. These devices output a logic low whenever  $V_{DD}$  drops below the negative-going threshold voltage ( $V_{IT-}$ ). The output,  $\overline{\text{RESET}}$ , remains low for approximately 200 ms after the  $V_{DD}$  voltage exceeds the positive-going threshold voltage ( $V_{IT-} + V_{hys}$ ). These devices are designed to ignore fast transients on the  $V_{DD}$  pin.

### 8.2 Functional Block Diagram



### 8.3 Feature Description

#### 8.3.1 $V_{DD}$ Transient Rejection

The TLV803 has built-in rejection of fast transients on the  $V_{DD}$  pin. The rejection of transients depends on both the duration and the amplitude of the transient. The amplitude of the transient is measured from the bottom of the transient to the negative threshold voltage of the TLV803, as shown in Figure 8.

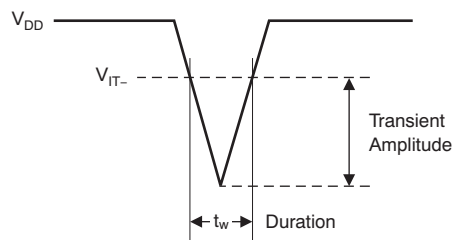


Figure 8. Voltage Transient Measurement

The TLV803 does not respond to transients that are fast duration/low amplitude or long duration/small amplitude. Figure 5 shows the relationship between the transient amplitude and duration needed to trigger a reset. Any combination of duration and amplitude above the curve generates a reset signal.

## Feature Description (continued)

### 8.3.2 Reset During Power Up and Power Down

The TLV803 output is valid when  $V_{DD}$  is greater than 1.1 V. When  $V_{DD}$  is less than 1.1 V, the output transistor turns off and becomes high impedance. The voltage on the  $\overline{\text{RESET}}$  pin rises to the voltage level connected to the pull-up resistor. Figure 9 shows a typical waveform for power-up, assuming the  $\overline{\text{RESET}}$  pin has a pull-up resistor connected to the  $V_{DD}$  pin.

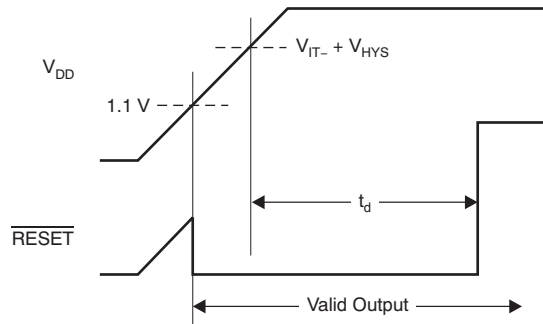


Figure 9. Power-Up Response

### 8.3.3 Bidirectional Reset Pins

Some microcontrollers have bidirectional reset pins that act as both inputs and outputs. In a situation where the TLV803 is pulling the  $\overline{\text{RESET}}$  line low while the microcontroller is trying to force the  $\overline{\text{RESET}}$  line high, a series resistor should be placed between the output of the TLV803 and the  $\overline{\text{RESET}}$  pin of the microcontroller to protect against excessive current flow. Figure 10 shows the connection of the TLV803 to a microcontroller using a series resistor to drive a bidirectional  $\overline{\text{RESET}}$  line.

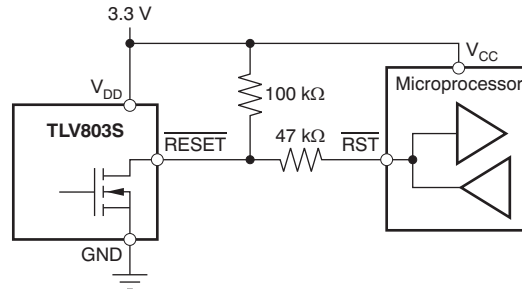


Figure 10. Connection To Bidirectional Reset Pin

## 8.4 Device Functional Modes

### 8.4.1 Normal Operation ( $V_{DD} >$ Power-Up Reset Voltage)

When the voltage on  $V_{DD}$  is greater than 1.1 V, the  $\overline{\text{RESET}}$  signal asserts when  $V_{DD}$  is less than  $V_{IT-}$  and deasserts when  $V_{DD}$  is greater than  $V_{IT-}$ .

### 8.4.2 Power On Reset ( $V_{DD} <$ Power-Up Reset Voltage)

When the voltage on  $V_{DD}$  is lower than the required voltage to internally pull the asserted output to GND (power-up reset voltage), both outputs are in a high-impedance state.

## 9 Application and Implementation

### NOTE

Information in the following applications sections is not part of the TI component specification, and TI does not warrant its accuracy or completeness. TI's customers are responsible for determining suitability of components for their purposes. Customers should validate and test their design implementation to confirm system functionality.

### 9.1 Application Information

#### 9.1.1 Monitoring Multiple Supplies

Because the TLV803 has an open-drain output, multiple TLV803 outputs can be directly tied together to form a logical OR-ing function for the RESET line. Only one pull-up resistor is required for this configuration. Figure 11 shows two TLV803s connected together to provide monitoring of a 3.3-V power rail and a 5.0-V power rail. A reset is generated if either power rail falls below the threshold voltage of its corresponding TLV803.

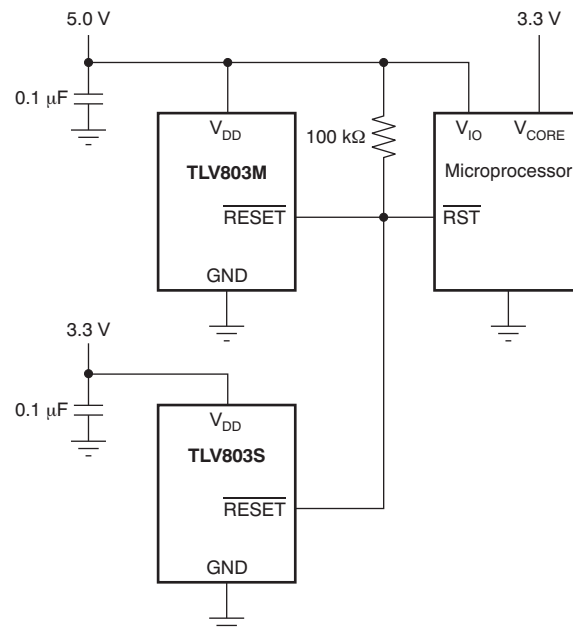
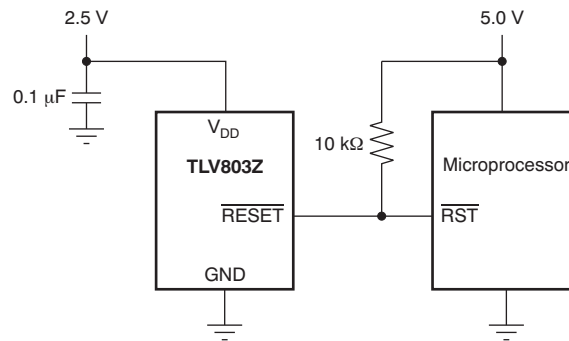


Figure 11. Multiple Voltage Rail Monitoring

#### 9.1.2 Output Level Shifting

The  $\overline{\text{RESET}}$  output of the TLV803 can be pulled to a maximum voltage of 6 V and can be pulled higher in voltage than  $V_{\text{DD}}$ . It is useful to provide level shifting of the output for cases where the monitored voltage is less than the useful logic levels of the load. Figure 12 shows the TLV803Z used to monitor a 2.5-V power rail, with a logic RESET input to a microprocessor that is connected to 5.0 V and has 5.0-V logic levels.

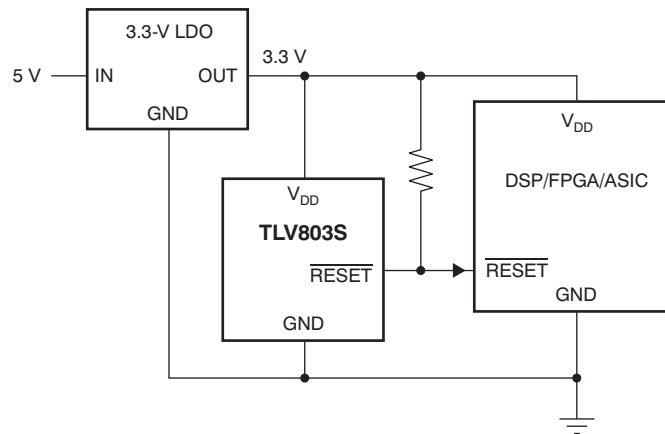
**Application Information (continued)**



**Figure 12. Output Voltage Level Shifting**

**9.2 Typical Application**

Figure 13 shows TLV803S being used to monitor the supply rail for a DSP, FPGA, or ASIC.



**Figure 13. Typical Application**

**9.2.1 Design Requirements**

This design calls for a 3.3-V rail to be monitored. The design resets if the supply rail falls below 2.93 V. The output must satisfy 3.3-V CMOS logic.

**9.2.2 Detailed Design Procedure**

Select the TLV803S to satisfy the voltage threshold requirement.

Place a pullup resistor on  $\overline{\text{RESET}}$  to VDD in order to satisfy the output logic requirement.

## Typical Application (continued)

### 9.2.3 Application Curves

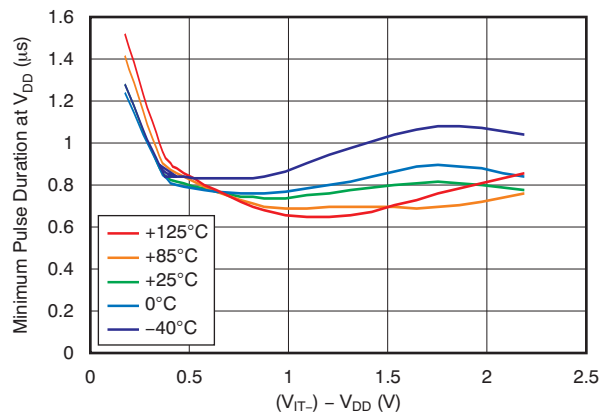


Figure 14. Minimum Pulse Duration At V<sub>DD</sub> vs Overdrive Threshold Voltage vs Temperature Voltage

## 10 Power Supply Recommendations

These devices are designed to operate from an input voltage supply range between 1.1 V and 6 V.

## 11 Layout

### 11.1 Layout Guidelines

Place the C<sub>IN</sub> decoupling capacitor close to the device.

### 11.2 Layout Example

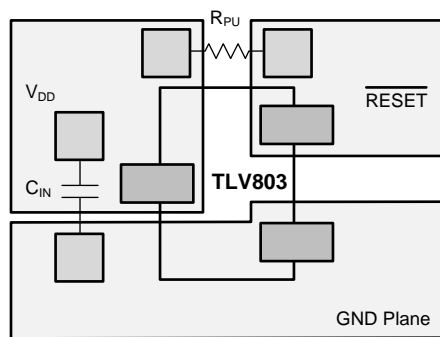


Figure 15. Layout Example (DBZ Package)

## 12 Device and Documentation Support

### 12.1 Device Support

#### 12.1.1 Development Support

##### 12.1.1.1 Evaluation Modules

An evaluation module (EVM) is available to assist in the initial circuit performance evaluation using the TLV803. The [TLV803SEVM-019 evaluation module](#) (and [related user guide](#)) can be requested at the Texas Instruments website through the product folders or purchased directly [from the TI eStore](#).

##### 12.1.1.2 Spice Models

Computer simulation of circuit performance using SPICE is often useful when analyzing the performance of analog circuits and systems. SPICE models for the TLV803, TLV853, and TLV863 are available through the respective device product folders under *Tools & Software*.

### 12.2 Documentation Support

#### 12.2.1 Related Documentation

- TLV803SEVM-019 User's Guide. Literature number [SLVU461](#).

### 12.3 Related Links

[Table 3](#) lists quick access links. Categories include technical documents, support and community resources, tools and software, and quick access to sample or buy.

**Table 3. Related Links**

| PARTS  | PRODUCT FOLDER             | SAMPLE & BUY               | TECHNICAL DOCUMENTS        | TOOLS & SOFTWARE           | SUPPORT & COMMUNITY        |
|--------|----------------------------|----------------------------|----------------------------|----------------------------|----------------------------|
| TLV803 | <a href="#">Click here</a> | <a href="#">Click here</a> | <a href="#">Click here</a> | <a href="#">Click here</a> | <a href="#">Click here</a> |
| TLV853 | <a href="#">Click here</a> | <a href="#">Click here</a> | <a href="#">Click here</a> | <a href="#">Click here</a> | <a href="#">Click here</a> |
| TLV863 | <a href="#">Click here</a> | <a href="#">Click here</a> | <a href="#">Click here</a> | <a href="#">Click here</a> | <a href="#">Click here</a> |

### 12.4 Community Resources

The following links connect to TI community resources. Linked contents are provided "AS IS" by the respective contributors. They do not constitute TI specifications and do not necessarily reflect TI's views; see TI's [Terms of Use](#).

**TI E2E™ Online Community** *TI's Engineer-to-Engineer (E2E) Community*. Created to foster collaboration among engineers. At [e2e.ti.com](http://e2e.ti.com), you can ask questions, share knowledge, explore ideas and help solve problems with fellow engineers.

**Design Support** *TI's Design Support* Quickly find helpful E2E forums along with design support tools and contact information for technical support.

## 12.5 Trademarks

E2E is a trademark of Texas Instruments.  
All other trademarks are the property of their respective owners.

## 12.6 Electrostatic Discharge Caution



This integrated circuit can be damaged by ESD. Texas Instruments recommends that all integrated circuits be handled with appropriate precautions. Failure to observe proper handling and installation procedures can cause damage.

ESD damage can range from subtle performance degradation to complete device failure. Precision integrated circuits may be more susceptible to damage because very small parametric changes could cause the device not to meet its published specifications.

## 12.7 Glossary

[SLYZ022](#) — *TI Glossary*.

This glossary lists and explains terms, acronyms, and definitions.

## 13 Mechanical, Packaging, and Orderable Information

The following pages include mechanical, packaging, and orderable information. This information is the most current data available for the designated devices. This data is subject to change without notice and revision of this document. For browser-based versions of this data sheet, refer to the left-hand navigation.

**PACKAGING INFORMATION**

| Orderable Device | Status<br>(1) | Package Type | Package Drawing | Pins | Package Qty | Eco Plan<br>(2)         | Lead/Ball Finish<br>(6) | MSL Peak Temp<br>(3) | Op Temp (°C) | Device Marking<br>(4/5) | Samples                 |
|------------------|---------------|--------------|-----------------|------|-------------|-------------------------|-------------------------|----------------------|--------------|-------------------------|-------------------------|
| TLV803MDBZR      | ACTIVE        | SOT-23       | DBZ             | 3    | 3000        | Green (RoHS & no Sb/Br) | CU NIPDAUAG             | Level-1-260C-UNLIM   | -40 to 125   | VOUQ                    | <a href="#">Samples</a> |
| TLV803MDBZT      | ACTIVE        | SOT-23       | DBZ             | 3    | 250         | Green (RoHS & no Sb/Br) | CU NIPDAUAG             | Level-1-260C-UNLIM   | -40 to 125   | VOUQ                    | <a href="#">Samples</a> |
| TLV803RDBZR      | ACTIVE        | SOT-23       | DBZ             | 3    | 3000        | Green (RoHS & no Sb/Br) | CU NIPDAUAG             | Level-1-260C-UNLIM   | -40 to 125   | VOSQ                    | <a href="#">Samples</a> |
| TLV803RDBZT      | ACTIVE        | SOT-23       | DBZ             | 3    | 250         | Green (RoHS & no Sb/Br) | CU NIPDAUAG             | Level-1-260C-UNLIM   | -40 to 125   | VOSQ                    | <a href="#">Samples</a> |
| TLV803SDBZR      | ACTIVE        | SOT-23       | DBZ             | 3    | 3000        | Green (RoHS & no Sb/Br) | CU NIPDAUAG             | Level-1-260C-UNLIM   | -40 to 125   | VOTQ                    | <a href="#">Samples</a> |
| TLV803SDBZT      | ACTIVE        | SOT-23       | DBZ             | 3    | 250         | Green (RoHS & no Sb/Br) | CU NIPDAUAG             | Level-1-260C-UNLIM   | -40 to 125   | VOTQ                    | <a href="#">Samples</a> |
| TLV803ZDBZR      | ACTIVE        | SOT-23       | DBZ             | 3    | 3000        | Green (RoHS & no Sb/Br) | CU NIPDAUAG             | Level-1-260C-UNLIM   | -40 to 125   | VORQ                    | <a href="#">Samples</a> |
| TLV803ZDBZT      | ACTIVE        | SOT-23       | DBZ             | 3    | 250         | Green (RoHS & no Sb/Br) | CU NIPDAUAG             | Level-1-260C-UNLIM   | -40 to 125   | VORQ                    | <a href="#">Samples</a> |
| TLV853MDBZR      | ACTIVE        | SOT-23       | DBZ             | 3    | 3000        | Green (RoHS & no Sb/Br) | CU NIPDAU               | Level-1-260C-UNLIM   | -40 to 125   | ZGM4                    | <a href="#">Samples</a> |
| TLV853MDBZT      | ACTIVE        | SOT-23       | DBZ             | 3    | 250         | Green (RoHS & no Sb/Br) | CU NIPDAU               | Level-1-260C-UNLIM   | -40 to 125   | ZGM4                    | <a href="#">Samples</a> |
| TLV863MDBZR      | ACTIVE        | SOT-23       | DBZ             | 3    | 3000        | Green (RoHS & no Sb/Br) | CU NIPDAUAG             | Level-1-260C-UNLIM   | -40 to 125   | VTWM                    | <a href="#">Samples</a> |
| TLV863MDBZT      | ACTIVE        | SOT-23       | DBZ             | 3    | 250         | Green (RoHS & no Sb/Br) | CU NIPDAUAG             | Level-1-260C-UNLIM   | -40 to 125   | VTWM                    | <a href="#">Samples</a> |

(1) The marketing status values are defined as follows:

**ACTIVE:** Product device recommended for new designs.

**LIFEBUY:** TI has announced that the device will be discontinued, and a lifetime-buy period is in effect.

**NRND:** Not recommended for new designs. Device is in production to support existing customers, but TI does not recommend using this part in a new design.

**PREVIEW:** Device has been announced but is not in production. Samples may or may not be available.

**OBSELETE:** TI has discontinued the production of the device.

(2) **RoHS:** TI defines "RoHS" to mean semiconductor products that are compliant with the current EU RoHS requirements for all 10 RoHS substances, including the requirement that RoHS substance do not exceed 0.1% by weight in homogeneous materials. Where designed to be soldered at high temperatures, "RoHS" products are suitable for use in specified lead-free processes. TI may reference these types of products as "Pb-Free".

**RoHS Exempt:** TI defines "RoHS Exempt" to mean products that contain lead but are compliant with EU RoHS pursuant to a specific EU RoHS exemption.

---

**Green:** TI defines "Green" to mean the content of Chlorine (Cl) and Bromine (Br) based flame retardants meet JS709B low halogen requirements of  $\leq 1000$ ppm threshold. Antimony trioxide based flame retardants must also meet the  $\leq 1000$ ppm threshold requirement.

(3) MSL, Peak Temp. - The Moisture Sensitivity Level rating according to the JEDEC industry standard classifications, and peak solder temperature.

(4) There may be additional marking, which relates to the logo, the lot trace code information, or the environmental category on the device.

(5) Multiple Device Markings will be inside parentheses. Only one Device Marking contained in parentheses and separated by a "~" will appear on a device. If a line is indented then it is a continuation of the previous line and the two combined represent the entire Device Marking for that device.

(6) Lead/Ball Finish - Orderable Devices may have multiple material finish options. Finish options are separated by a vertical ruled line. Lead/Ball Finish values may wrap to two lines if the finish value exceeds the maximum column width.

**Important Information and Disclaimer:** The information provided on this page represents TI's knowledge and belief as of the date that it is provided. TI bases its knowledge and belief on information provided by third parties, and makes no representation or warranty as to the accuracy of such information. Efforts are underway to better integrate information from third parties. TI has taken and continues to take reasonable steps to provide representative and accurate information but may not have conducted destructive testing or chemical analysis on incoming materials and chemicals. TI and TI suppliers consider certain information to be proprietary, and thus CAS numbers and other limited information may not be available for release.

In no event shall TI's liability arising out of such information exceed the total purchase price of the TI part(s) at issue in this document sold by TI to Customer on an annual basis.

**TAPE AND REEL INFORMATION**

**QUADRANT ASSIGNMENTS FOR PIN 1 ORIENTATION IN TAPE**


\*All dimensions are nominal

| Device      | Package Type | Package Drawing | Pins | SPQ  | Reel Diameter (mm) | Reel Width W1 (mm) | A0 (mm) | B0 (mm) | K0 (mm) | P1 (mm) | W (mm) | Pin1 Quadrant |
|-------------|--------------|-----------------|------|------|--------------------|--------------------|---------|---------|---------|---------|--------|---------------|
| TLV803MDBZR | SOT-23       | DBZ             | 3    | 3000 | 179.0              | 8.4                | 3.15    | 2.95    | 1.22    | 4.0     | 8.0    | Q3            |
| TLV803MDBZT | SOT-23       | DBZ             | 3    | 250  | 179.0              | 8.4                | 3.15    | 2.95    | 1.22    | 4.0     | 8.0    | Q3            |
| TLV803RDBZR | SOT-23       | DBZ             | 3    | 3000 | 179.0              | 8.4                | 3.15    | 2.95    | 1.22    | 4.0     | 8.0    | Q3            |
| TLV803RDBZT | SOT-23       | DBZ             | 3    | 250  | 179.0              | 8.4                | 3.15    | 2.95    | 1.22    | 4.0     | 8.0    | Q3            |
| TLV803SDBZR | SOT-23       | DBZ             | 3    | 3000 | 179.0              | 8.4                | 3.15    | 2.95    | 1.22    | 4.0     | 8.0    | Q3            |
| TLV803SDBZT | SOT-23       | DBZ             | 3    | 250  | 179.0              | 8.4                | 3.15    | 2.95    | 1.22    | 4.0     | 8.0    | Q3            |
| TLV803ZDBZR | SOT-23       | DBZ             | 3    | 3000 | 179.0              | 8.4                | 3.15    | 2.95    | 1.22    | 4.0     | 8.0    | Q3            |
| TLV803ZDBZT | SOT-23       | DBZ             | 3    | 250  | 179.0              | 8.4                | 3.15    | 2.95    | 1.22    | 4.0     | 8.0    | Q3            |
| TLV853MDBZR | SOT-23       | DBZ             | 3    | 3000 | 179.0              | 8.4                | 3.15    | 2.95    | 1.22    | 4.0     | 8.0    | Q3            |
| TLV853MDBZT | SOT-23       | DBZ             | 3    | 250  | 179.0              | 8.4                | 3.15    | 2.95    | 1.22    | 4.0     | 8.0    | Q3            |
| TLV863MDBZR | SOT-23       | DBZ             | 3    | 3000 | 179.0              | 8.4                | 3.15    | 2.95    | 1.22    | 4.0     | 8.0    | Q3            |
| TLV863MDBZT | SOT-23       | DBZ             | 3    | 250  | 179.0              | 8.4                | 3.15    | 2.95    | 1.22    | 4.0     | 8.0    | Q3            |

**TAPE AND REEL BOX DIMENSIONS**


\*All dimensions are nominal

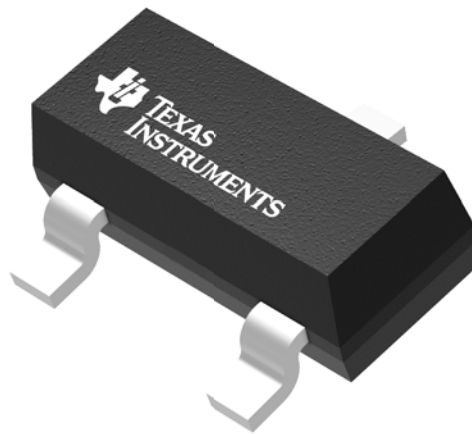
| Device      | Package Type | Package Drawing | Pins | SPQ  | Length (mm) | Width (mm) | Height (mm) |
|-------------|--------------|-----------------|------|------|-------------|------------|-------------|
| TLV803MDBZR | SOT-23       | DBZ             | 3    | 3000 | 203.0       | 203.0      | 35.0        |
| TLV803MDBZT | SOT-23       | DBZ             | 3    | 250  | 203.0       | 203.0      | 35.0        |
| TLV803RDBZR | SOT-23       | DBZ             | 3    | 3000 | 203.0       | 203.0      | 35.0        |
| TLV803RDBZT | SOT-23       | DBZ             | 3    | 250  | 203.0       | 203.0      | 35.0        |
| TLV803SDBZR | SOT-23       | DBZ             | 3    | 3000 | 203.0       | 203.0      | 35.0        |
| TLV803SDBZT | SOT-23       | DBZ             | 3    | 250  | 203.0       | 203.0      | 35.0        |
| TLV803ZDBZR | SOT-23       | DBZ             | 3    | 3000 | 203.0       | 203.0      | 35.0        |
| TLV803ZDBZT | SOT-23       | DBZ             | 3    | 250  | 203.0       | 203.0      | 35.0        |
| TLV853MDBZR | SOT-23       | DBZ             | 3    | 3000 | 203.0       | 203.0      | 35.0        |
| TLV853MDBZT | SOT-23       | DBZ             | 3    | 250  | 203.0       | 203.0      | 35.0        |
| TLV863MDBZR | SOT-23       | DBZ             | 3    | 3000 | 203.0       | 203.0      | 35.0        |
| TLV863MDBZT | SOT-23       | DBZ             | 3    | 250  | 203.0       | 203.0      | 35.0        |

## GENERIC PACKAGE VIEW

**DBZ 3**

**SOT-23 - 1.12 mm max height**

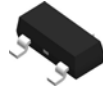
SMALL OUTLINE TRANSISTOR



Images above are just a representation of the package family, actual package may vary.  
Refer to the product data sheet for package details.

4203227/C

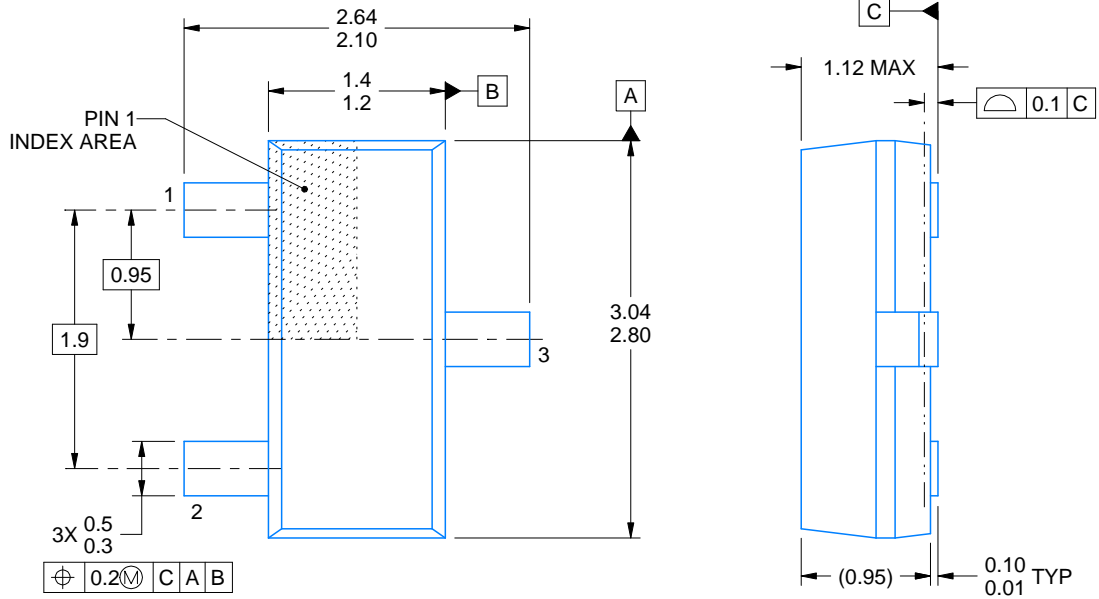
DBZ0003A



# PACKAGE OUTLINE

SOT-23 - 1.12 mm max height

SMALL OUTLINE TRANSISTOR



4214838/C 04/2017

NOTES:

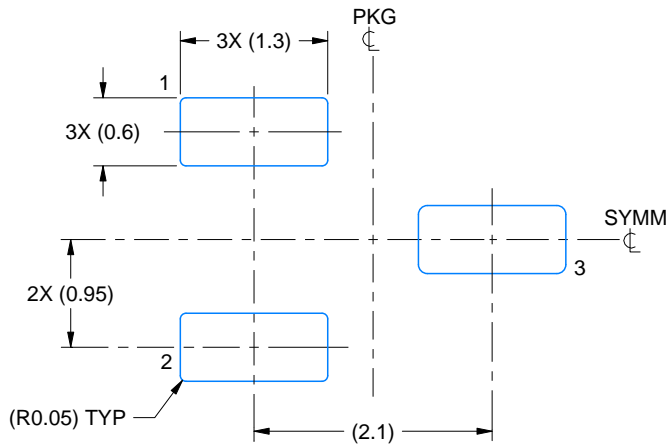
1. All linear dimensions are in millimeters. Any dimensions in parenthesis are for reference only. Dimensioning and tolerancing per ASME Y14.5M.
2. This drawing is subject to change without notice.
3. Reference JEDEC registration TO-236, except minimum foot length.

# EXAMPLE BOARD LAYOUT

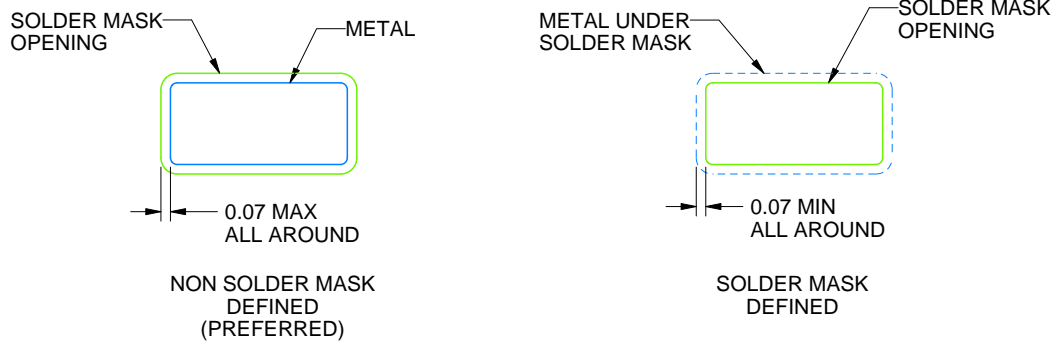
DBZ0003A

SOT-23 - 1.12 mm max height

SMALL OUTLINE TRANSISTOR



LAND PATTERN EXAMPLE  
SCALE:15X



SOLDER MASK DETAILS

4214838/C 04/2017

NOTES: (continued)

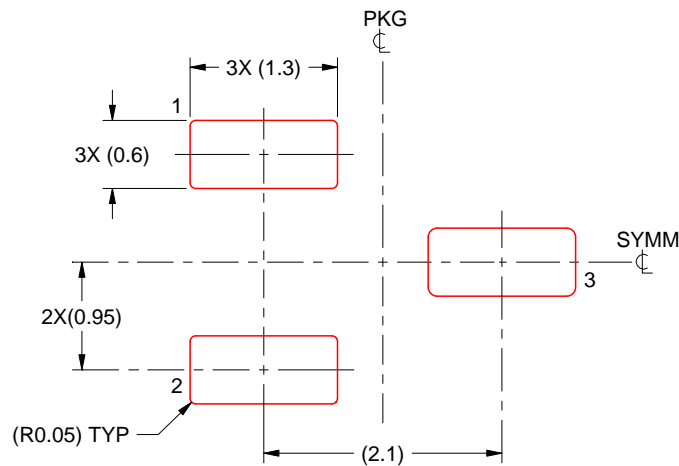
4. Publication IPC-7351 may have alternate designs.
5. Solder mask tolerances between and around signal pads can vary based on board fabrication site.

# EXAMPLE STENCIL DESIGN

DBZ0003A

SOT-23 - 1.12 mm max height

SMALL OUTLINE TRANSISTOR



SOLDER PASTE EXAMPLE  
BASED ON 0.125 THICK STENCIL  
SCALE:15X

4214838/C 04/2017

NOTES: (continued)

6. Laser cutting apertures with trapezoidal walls and rounded corners may offer better paste release. IPC-7525 may have alternate design recommendations.
7. Board assembly site may have different recommendations for stencil design.

## IMPORTANT NOTICE AND DISCLAIMER

TI PROVIDES TECHNICAL AND RELIABILITY DATA (INCLUDING DATASHEETS), DESIGN RESOURCES (INCLUDING REFERENCE DESIGNS), APPLICATION OR OTHER DESIGN ADVICE, WEB TOOLS, SAFETY INFORMATION, AND OTHER RESOURCES "AS IS" AND WITH ALL FAULTS, AND DISCLAIMS ALL WARRANTIES, EXPRESS AND IMPLIED, INCLUDING WITHOUT LIMITATION ANY IMPLIED WARRANTIES OF MERCHANTABILITY, FITNESS FOR A PARTICULAR PURPOSE OR NON-INFRINGEMENT OF THIRD PARTY INTELLECTUAL PROPERTY RIGHTS.

These resources are intended for skilled developers designing with TI products. You are solely responsible for (1) selecting the appropriate TI products for your application, (2) designing, validating and testing your application, and (3) ensuring your application meets applicable standards, and any other safety, security, or other requirements. These resources are subject to change without notice. TI grants you permission to use these resources only for development of an application that uses the TI products described in the resource. Other reproduction and display of these resources is prohibited. No license is granted to any other TI intellectual property right or to any third party intellectual property right. TI disclaims responsibility for, and you will fully indemnify TI and its representatives against, any claims, damages, costs, losses, and liabilities arising out of your use of these resources.

TI's products are provided subject to TI's Terms of Sale ([www.ti.com/legal/termsofsale.html](http://www.ti.com/legal/termsofsale.html)) or other applicable terms available either on [ti.com](http://ti.com) or provided in conjunction with such TI products. TI's provision of these resources does not expand or otherwise alter TI's applicable warranties or warranty disclaimers for TI products.

Mailing Address: Texas Instruments, Post Office Box 655303, Dallas, Texas 75265  
Copyright © 2019, Texas Instruments Incorporated

## Looking for pricing, stock, or lifecycle information?

Click below to explore more details on WIN SOURCE:

 [View TLV803MDBZT on WIN SOURCE](#)

 [Texas Instruments](#) Information

## Optimize Your Supply Chain with WIN SOURCE Solutions

-  Global Sourcing Solution
-  Obsolete Management
-  Cost Control Management
-  Shortage Management
-  Alternative Solution
-  Excess Inventory Management