



**THE DATASHEET OF
VND5E025ASTR-E**



Double channel high-side driver with analog current sense for automotive applications

Datasheet – production data

Features

| | | |
|-----------------------------------|------------|--------------------------|
| Max transient supply voltage | V_{CC} | 41 V |
| Operating voltage range | V_{CC} | 4.5 to 28 V |
| Max on-state resistance (per ch.) | R_{ON} | 25 m Ω |
| Current limitation (typ) | I_{LIMH} | 60 A |
| Off-state supply current | I_S | 2 μ A ⁽¹⁾ |

1. Typical value with all loads connected.

■ General

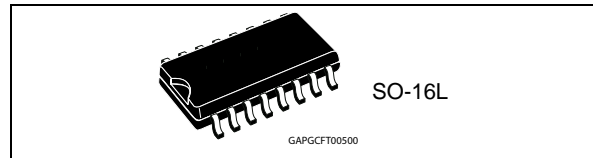
- AEC-Q100 qualified
- Inrush current active management by power limitation
- Very low standby current
- 3.0 V CMOS compatible inputs
- Optimized electromagnetic emissions
- Very low electromagnetic susceptibility
- Compliant with European directive 2002/95/EC
- Very low current sense leakage

■ Diagnostic functions

- Proportional load current sense
- High current sense precision for wide currents range
- Current sense disable
- Off-state open- load detection
- Output short to V_{CC} detection
- Overload and short to ground (power limitation) indication
- Thermal shutdown indication

■ Protections

- Undervoltage shutdown
- Overvoltage clamp
- Load current limitation
- Self limiting of fast thermal transients
- Protection against loss of ground and loss of V_{CC}



- Overtemperature shutdown with auto restart (thermal shutdown)
- Reverse battery protected
- Electrostatic discharge protection

Applications

- All types of resistive, inductive and capacitive loads
- Suitable as LED driver

Description

The VND5E025AS-E is a double channel high-side driver manufactured using ST proprietary VIPower[®] M0-5 technology and housed in SO-16L package. The device is designed to drive 12 V automotive grounded loads, and to provide protection and diagnostics. It also implements a 3 V and 5 V CMOS-compatible interface for the use with any microcontroller.

The device integrates advanced protective functions such as load current limitation, inrush and overload active management by power limitation, overtemperature shut-off with auto-restart and overvoltage active clamp. A dedicated analog current sense pin is associated with every output channel providing enhanced diagnostic functions including fast detection of overload and short-circuit to ground through power limitation indication, overtemperature indication, short-circuit to V_{CC} diagnosis and on-state and off-state open-load detection. The current sensing and diagnostic feedback of the whole device can be disabled by pulling the CS_DIS pin high to share the external sense resistor with similar devices.

Contents

| | | |
|----------|---|-----------|
| 1 | Block diagram and pin description | 5 |
| 2 | Electrical specifications | 7 |
| 2.1 | Absolute maximum ratings | 7 |
| 2.2 | Thermal data | 8 |
| 2.3 | Electrical characteristics | 8 |
| 2.4 | Waveforms | 18 |
| 2.5 | Electrical characteristics curves | 21 |
| 3 | Application information | 24 |
| 3.1 | GND protection network against reverse battery | 24 |
| 3.1.1 | Solution 1: resistor in the ground line (RGND only) | 24 |
| 3.1.2 | Solution 2: diode (DGND) in the ground line | 25 |
| 3.2 | Load dump protection | 25 |
| 3.3 | MCU I/Os protection | 25 |
| 3.4 | Current sense and diagnostic | 26 |
| 3.4.1 | Short to V_{CC} and off-state open-load detection | 27 |
| 3.5 | Maximum demagnetization energy ($V_{CC} = 13.5\text{ V}$) | 28 |
| 4 | Package and thermal data | 29 |
| 4.1 | SO-16L thermal data | 29 |
| 5 | Package and packing information | 32 |
| 5.1 | ECOPACK® packages | 32 |
| 5.2 | Package mechanical data | 32 |
| 5.3 | Packing information | 34 |
| 6 | Order codes | 35 |
| 7 | Revision history | 36 |

List of tables

| | | |
|-----------|---|----|
| Table 1. | Pin functions | 5 |
| Table 2. | Suggested connections for unused and not connected pins | 6 |
| Table 3. | Absolute maximum ratings | 7 |
| Table 4. | Thermal data | 8 |
| Table 5. | Power section | 8 |
| Table 6. | Switching ($V_{CC} = 13\text{ V}$; $T_j = 25^\circ\text{C}$) | 9 |
| Table 7. | Logic inputs | 9 |
| Table 8. | Protections and diagnostics | 10 |
| Table 9. | Current sense ($8\text{ V} < V_{CC} < 18\text{ V}$) | 10 |
| Table 10. | Open-load detection ($8\text{ V} < V_{CC} < 18\text{ V}$) | 12 |
| Table 11. | Truth table | 16 |
| Table 12. | Electrical transient requirements (part 1) | 17 |
| Table 13. | Electrical transient requirements (part 2) | 17 |
| Table 14. | Electrical transient requirements (part 3) | 17 |
| Table 15. | Thermal parameters | 31 |
| Table 16. | SO-16L mechanical data | 33 |
| Table 17. | Device summary | 35 |
| Table 18. | Document revision history | 36 |

List of figures

| | | |
|------------|---|----|
| Figure 1. | Block diagram | 5 |
| Figure 2. | Configuration diagram (top view) | 6 |
| Figure 3. | Current and voltage conventions | 7 |
| Figure 4. | Current sense delay characteristics | 12 |
| Figure 5. | Open-load off-state delay timing | 13 |
| Figure 6. | Switching characteristics | 13 |
| Figure 7. | Delay response time between rising edge of output current and rising edge of current sense (CS enabled) ¹⁴ | |
| Figure 8. | Output voltage drop limitation | 14 |
| Figure 9. | I_{OUT}/I_{SENSE} vs I_{OUT} | 15 |
| Figure 10. | Maximum current sense ratio drift vs load current | 15 |
| Figure 11. | Normal operation | 18 |
| Figure 12. | Overload or short to GND | 18 |
| Figure 13. | Intermittent overload | 19 |
| Figure 14. | Off-state open-load with external circuitry | 19 |
| Figure 15. | Short to V_{CC} | 20 |
| Figure 16. | T_J evolution in overload or short to GND | 20 |
| Figure 17. | Off-state output current | 21 |
| Figure 18. | High level input current | 21 |
| Figure 19. | Input clamp voltage | 21 |
| Figure 20. | Input high level voltage | 21 |
| Figure 21. | Input low level voltage | 21 |
| Figure 22. | Input hysteresis voltage | 21 |
| Figure 23. | On-state resistance vs T_{case} | 22 |
| Figure 24. | On-state resistance vs V_{CC} | 22 |
| Figure 25. | Undervoltage shutdown | 22 |
| Figure 26. | I_{LIMH} vs T_{case} | 22 |
| Figure 27. | Turn-on voltage slope | 22 |
| Figure 28. | Turn-off voltage slope | 22 |
| Figure 29. | CS_DIS high level voltage | 23 |
| Figure 30. | CS_DIS low level voltage | 23 |
| Figure 31. | CS_DIS clamp voltage | 23 |
| Figure 32. | Application schematic | 24 |
| Figure 33. | Current sense and diagnostic | 26 |
| Figure 34. | Maximum turn-off current versus inductance (for each channel) | 28 |
| Figure 35. | SO-16L PC board | 29 |
| Figure 36. | $R_{thj-amb}$ vs PCB copper area in open box free air condition (one channel on) | 29 |
| Figure 37. | SO-16L thermal impedance junction to ambient single pulse (one channel on) | 30 |
| Figure 38. | Thermal fitting model of a double channel HSD in SO-16L ⁽¹⁾ | 30 |
| Figure 39. | SO-16L package dimensions | 32 |
| Figure 40. | SO-16L tube shipment (no suffix) | 34 |
| Figure 41. | SO-16L tape and reel shipment (suffix "TR") | 34 |

1 Block diagram and pin description

Figure 1. Block diagram

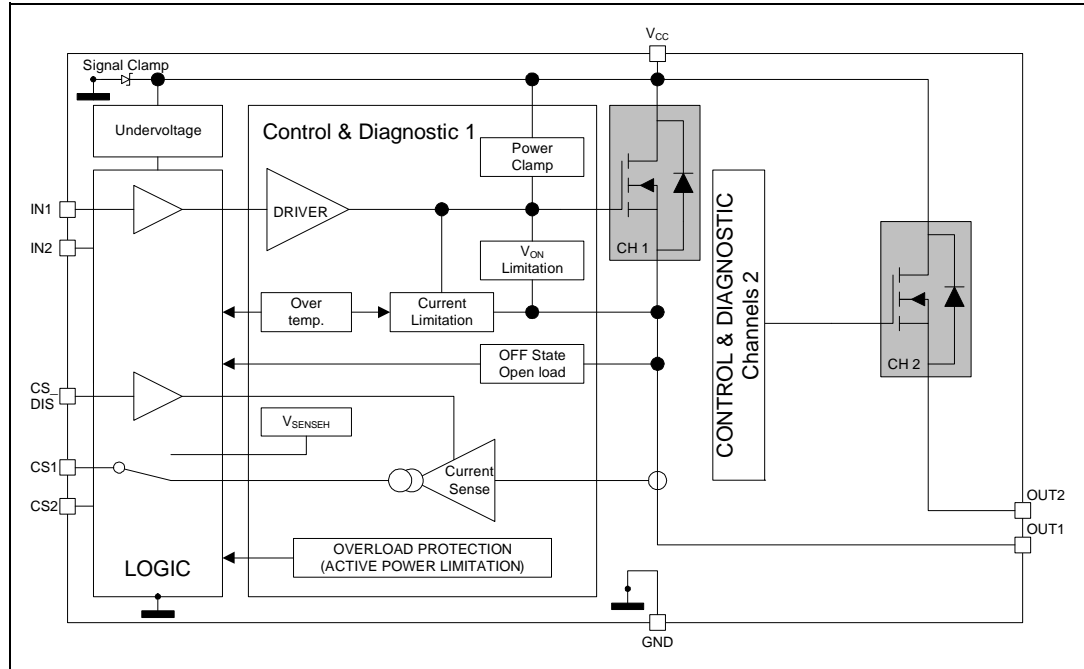


Table 1. Pin functions

| Name | Function |
|------------------------------|---|
| V _{CC} | Battery connection. |
| OUTPUT _{1,2} | Power output. |
| GND | Ground connection. Must be reverse battery protected by an external diode / resistor network. |
| INPUT _{1,2} | Voltage controlled input pin with hysteresis, CMOS compatible. It controls output switch state. |
| CURRENT SENSE _{1,2} | Analog current sense pin; it delivers a current proportional to the load current. |
| CS_DIS | Active high CMOS compatible pin to disable the current sense pin. |

Figure 2. Configuration diagram (top view)

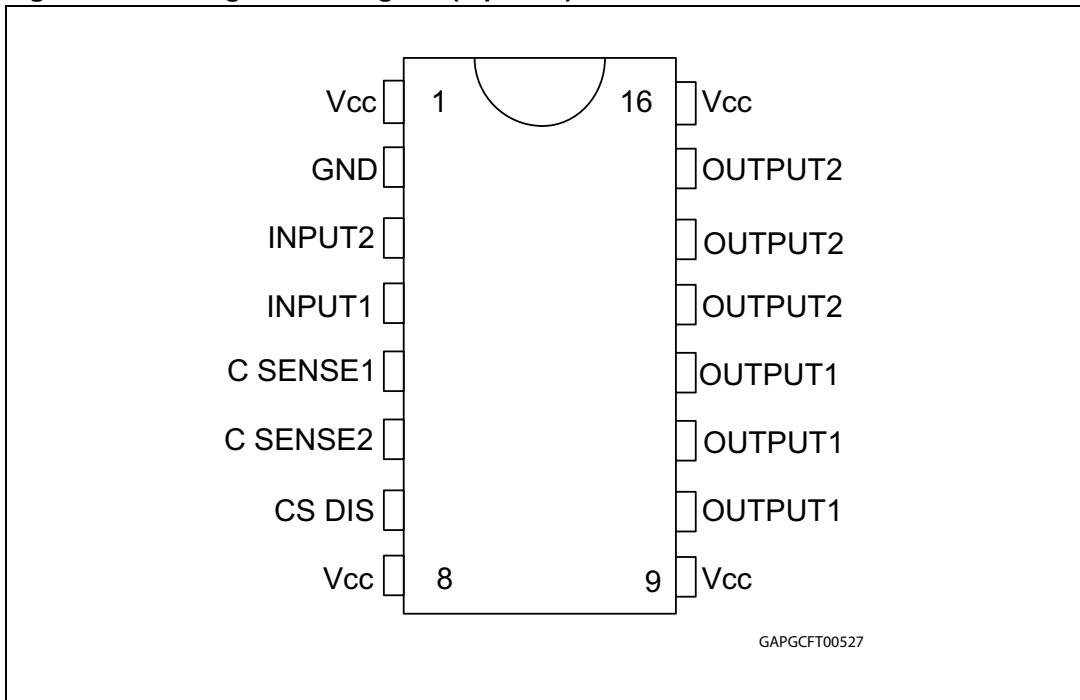


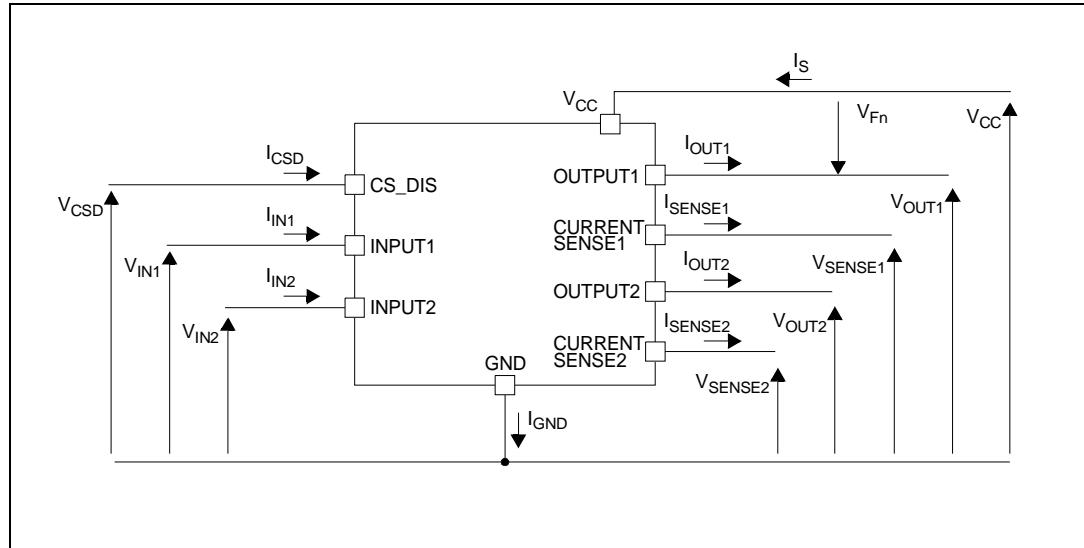
Table 2. Suggested connections for unused and not connected pins

| Connection / pin | Current sense | N.C. | Output | Input | CS_DIS |
|------------------|-----------------------|------------------|------------------------|------------------------|------------------------|
| Floating | Not allowed | X ⁽¹⁾ | X | X | X |
| To ground | Through 1 kΩ resistor | X | Through 22 kΩ resistor | Through 10 kΩ resistor | Through 10 kΩ resistor |

1. X: do not care.

2 Electrical specifications

Figure 3. Current and voltage conventions



Note: $V_{Fn} = V_{OUTn} - V_{CC}$ during reverse battery condition.

2.1 Absolute maximum ratings

Applying stress which exceeds the rating listed in [Table 3: Absolute maximum ratings](#) may cause permanent damage to the device. These are stress ratings only and operation of the device at these or any other conditions above those indicated in the Operating sections of this specification is not implied. Exposure to the conditions in table below for extended periods may affect device reliability.

Table 3. Absolute maximum ratings

| Symbol | Parameter | Value | Unit |
|---------------|--|----------------------------|------|
| V_{CC} | DC supply voltage | 41 | V |
| $-V_{CC}$ | Reverse DC supply voltage | 0.3 | |
| $-I_{GND}$ | DC reverse ground pin current | 200 | mA |
| I_{OUT} | DC output current | Internally limited | A |
| $-I_{OUT}$ | Reverse DC output current | 24 | |
| I_{IN} | DC input current | -1 to 10 | mA |
| I_{CSD} | DC current sense disable input current | | |
| $-I_{CSENSE}$ | DC reverse CS pin current | | |
| V_{CSENSE} | Current sense maximum voltage | $V_{CC} - 41$ to $+V_{CC}$ | V |
| E_{MAX} | Maximum switching energy (single pulse) ($L = 0.8$ mH; $R_L = 0$ Ω ; $V_{bat} = 13.5$ V; $T_{jstart} = 150$ $^{\circ}C$; $I_{OUT} = I_{limL}(Typ.)$) | 140 | mJ |

Table 3. Absolute maximum ratings (continued)

| Symbol | Parameter | Value | Unit |
|------------------|---|------------|------|
| V _{ESD} | Electrostatic discharge (Human Body Model: R = 1.5 kΩ; C = 100 pF) | | |
| | – Input | 4000 | V |
| | – Current sense | 2000 | V |
| | – CS_DIS | 4000 | V |
| | – Output | 5000 | V |
| | – V _{CC} | 5000 | V |
| V _{ESD} | Charge device model (CDM-AEC-Q100-011) | 750 | V |
| T _j | Junction operating temperature | -40 to 150 | °C |
| T _{stg} | Storage temperature | -55 to 150 | |

2.2 Thermal data

Table 4. Thermal data

| Symbol | Parameter | Typ value | Unit |
|----------------------|--|-------------------------------|------|
| R _{thj-pcb} | Thermal resistance junction-pcb ⁽¹⁾ | 18.5 | °C/W |
| R _{thj-amb} | Thermal resistance junction - ambient on two layers pcb | See Figure 36 | °C/W |
| R _{thj-amb} | Thermal resistance junction - ambient on two layers pcb ⁽²⁾ | 32.5 | °C/W |

1. The measure is done in accordance with the JESD 51-8.

2. Four Layers PCB characteristics:

- Cu thickness: 70 um outer layers, 35 um inner layers
- Board finish thickness 1.6 mm +/- 10%
- Thermal vias separation 1.2 mm
- Thermal via diameter 0.3 mm +/- 0.08 mm
- Cu thickness on vias 0.025 mm
- Device soldered at about 2cm from the PCB edge with two sqcm of exposed copper.

2.3 Electrical characteristics

Values specified in this section are for 8 V < V_{CC} < 28 V; -40°C < T_j < 150°C, unless otherwise stated.

Table 5. Power section

| Symbol | Parameter | Test conditions | Min. | Typ. | Max. | Unit |
|----------------------|----------------------------------|-----------------|------|------|------|------|
| V _{CC} | Operating supply voltage | | 4.5 | 13 | 28 | V |
| V _{USD} | Undervoltage shutdown | | | 3.5 | 4.5 | |
| V _{USDhyst} | Undervoltage shutdown hysteresis | | | 0.5 | | |

Table 5. Power section (continued)

| Symbol | Parameter | Test conditions | Min. | Typ. | Max. | Unit |
|----------------------|---|---|------|------------------|------------------|------|
| R _{ON} | On-state resistance ⁽¹⁾ | I _{OUT} = 3 A; T _j = 25°C | | 25 | | mΩ |
| | | I _{OUT} = 3 A; T _j = 150°C | | | 50 | |
| | | I _{OUT} = 3 A; V _{CC} = 5 V; T _j = 25°C | | | 35 | |
| V _{clamp} | Clamp voltage | I _S = 20 mA | 41 | 46 | 52 | V |
| I _S | Supply current | Off-state; V _{CC} = 13 V; T _j = 25°C; V _{IN} = V _{OUT} = V _{SENSE} = V _{CSD} = 0 V | | 2 ⁽²⁾ | 5 ⁽²⁾ | μA |
| | | On-state; V _{CC} = 13 V; V _{IN} = 5 V; I _{OUT} = 0 A | | 3 | 6 | mA |
| I _{L(off1)} | Off-state output current ⁽¹⁾ | V _{IN} = V _{OUT} = 0 V; V _{CC} = 13 V; T _j = 25°C | 0 | 0.01 | 3 | μA |
| | | V _{IN} = V _{OUT} = 0 V; V _{CC} = 13 V; T _j = 125°C | 0 | | 5 | |
| V _F | Output - V _{CC} diode voltage ⁽¹⁾ | -I _{OUT} = 4 A; T _j = 150°C | | | 0.7 | V |

1. For each channel.
2. PowerMOS leakage included.

Table 6. Switching (V_{CC} = 13 V; T_j = 25°C)

| Symbol | Parameter | Test conditions | Min. | Typ. | Max. | Unit |
|--|--|---|------|-------------------------------|------|------|
| t _{d(on)} | Turn-on delay time | R _L = 4.3 Ω (see Figure 6) | — | 20 | — | μs |
| t _{d(off)} | Turn-off delay time | | — | 40 | — | |
| (dV _{OUT} /dt) _{on} | Turn-on voltage slope | R _L = 4.3 Ω | — | See Figure 27 | — | V/μs |
| (dV _{OUT} /dt) _{off} | Turn-off voltage slope | | — | See Figure 28 | — | |
| W _{ON} | Switching energy losses during t _{WON} | R _L = 4.3 Ω (see Figure 6) | — | 0.6 | — | mJ |
| W _{OFF} | Switching energy losses during t _{WOFF} | | — | 0.35 | — | |

Table 7. Logic inputs

| Symbol | Parameter | Test conditions | Min. | Typ. | Max. | Unit |
|-----------------|--------------------------|-------------------------|------|------|------|------|
| V _{IL} | Input low level voltage | | | | 0.9 | V |
| I _{IL} | Low level input current | V _{IN} = 0.9 V | 1 | | | μA |
| V _{IH} | Input high level voltage | | 2.1 | | | V |
| I _{IH} | High level input current | V _{IN} = 2.1 V | | | 10 | μA |

Table 7. Logic inputs (continued)

| Symbol | Parameter | Test conditions | Min. | Typ. | Max. | Unit |
|-----------------|---------------------------|---------------------------|------|------|------|---------------|
| $V_{I(hyst)}$ | Input hysteresis voltage | | 0.25 | | | V |
| V_{ICL} | Input clamp voltage | $I_{IN} = 1 \text{ mA}$ | 5.5 | | 7 | |
| | | $I_{IN} = -1 \text{ mA}$ | | -0.7 | | |
| V_{CSDL} | CS_DIS low level voltage | | | | 0.9 | |
| I_{CSDL} | Low level CS_DIS current | $V_{CSD} = 0.9 \text{ V}$ | 1 | | | μA |
| V_{CSDH} | CS_DIS high level voltage | | 2.1 | | | V |
| I_{CSDH} | High level CS_DIS current | $V_{CSD} = 2.1 \text{ V}$ | | | 10 | μA |
| $V_{CSD(hyst)}$ | CS_DIS hysteresis voltage | | 0.25 | | | V |
| V_{CSCL} | CS_DIS clamp voltage | $I_{CSD} = 1 \text{ mA}$ | 5.5 | | 7 | |
| | | $I_{CSD} = -1 \text{ mA}$ | | -0.7 | | |

Table 8. Protections and diagnostics (1)

| Symbol | Parameter | Test conditions | Min. | Typ. | Max. | Unit |
|-------------|--|--|---------------|---------------|---------------|--------------------|
| I_{LIMH} | DC short circuit current | $V_{CC} = 13 \text{ V}$ | 43 | 60 | 85 | A |
| | | $5 \text{ V} < V_{CC} < 28 \text{ V}$ | | | 85 | A |
| I_{LIML} | Short circuit current during thermal cycling | $V_{CC} = 13 \text{ V};$ $T_R < T_j < T_{TSD}$ | | 15 | | A |
| T_{TSD} | Shutdown temperature | | 150 | 175 | 200 | $^{\circ}\text{C}$ |
| T_R | Reset temperature | | $T_{RS} + 1$ | $T_{RS} + 5$ | | $^{\circ}\text{C}$ |
| T_{RS} | Thermal reset of STATUS | | 135 | | | $^{\circ}\text{C}$ |
| T_{HYST} | Thermal hysteresis ($T_{TSD} - T_R$) | | | 7 | | $^{\circ}\text{C}$ |
| V_{DEMAG} | Turn-Off output voltage clamp | $I_{OUT} = 2 \text{ A}; V_{IN} = 0;$ $L = 6 \text{ mH}$ | $V_{CC} - 41$ | $V_{CC} - 46$ | $V_{CC} - 52$ | V |
| V_{ON} | Output voltage drop limitation | $I_{OUT} = 0.1 \text{ A};$ $T_j = -40^{\circ}\text{C} \text{ to } 150^{\circ}\text{C}$ (see Figure 8) | | 25 | | mV |

1. To ensure long term reliability under heavy overload or short circuit conditions, protection and related diagnostic signals must be used together with a proper software strategy. If the device is subjected to abnormal conditions, this software must limit the duration and number of activation cycles.

Table 9. Current sense (8 V < V_{CC} < 18 V)

| Symbol | Parameter | Test conditions | Min. | Typ. | Max. | Unit |
|-----------|---------------------|--|------|------|------|------|
| K_{LED} | I_{OUT}/I_{SENSE} | $I_{OUT} = 0.05 \text{ A}; V_{SENSE} = 0.5 \text{ V};$ $V_{CSD} = 0 \text{ V}; T_j = -40^{\circ}\text{C} \text{ to } 150^{\circ}\text{C}$ | 1240 | 3350 | 5100 | |
| K_0 | I_{OUT}/I_{SENSE} | $I_{OUT} = 0.5 \text{ A}; V_{SENSE} = 0.5 \text{ V};$ $V_{CSD} = 0 \text{ V}; T_j = -40^{\circ}\text{C} \text{ to } 150^{\circ}\text{C}$ | 1860 | 3150 | 4600 | |

Table 9. Current sense (8 V < V_{CC} < 18 V) (continued)

| Symbol | Parameter | Test conditions | Min. | Typ. | Max. | Unit |
|--|---|--|--------------|--------------|--------------|------|
| K ₁ | I _{OUT} /I _{SENSE} | I _{OUT} = 2 A; V _{SENSE} = 4 V; V _{CSD} = 0 V; T _j = -40°C to 150°C T _j = 25°C to 150°C | 2100 2250 | 3100 3100 | 4400 3850 | |
| dK ₁ /K ₁ ⁽¹⁾ | Current sense ratio drift | I _{OUT} = 2 A; V _{SENSE} = 4 V; V _{CSD} = 0 V; T _j = -40°C to 150°C | -13 | | 13 | % |
| K ₂ | I _{OUT} /I _{SENSE} | I _{OUT} = 3 A; V _{SENSE} = 4 V; V _{CSD} = 0 V; T _j = -40°C to 150°C T _j = 25°C to 150°C | 2200 2450 | 3000 3000 | 4100 3550 | |
| dK ₂ /K ₂ ⁽¹⁾ | Current sense ratio drift | I _{OUT} = 3 A; V _{SENSE} = 4 V; V _{CSD} = 0 V; T _j = -40°C to 150°C | -12 | | 12 | % |
| K ₃ | I _{OUT} /I _{SENSE} | I _{OUT} = 10 A; V _{SENSE} = 4 V; V _{CSD} = 0 V; T _j = -40°C to 150°C T _j = 25°C to 150°C | 2550 2650 | 2850 2850 | 3280 3180 | |
| dK ₃ /K ₃ ⁽¹⁾ | Current sense ratio drift | I _{OUT} = 10 A; V _{SENSE} = 4 V; V _{CSD} = 0 V; T _j = -40°C to 150°C | -6 | | +6 | % |
| I _{SENSE0} | Analog sense leakage current | I _{OUT} = 0 A; V _{SENSE} = 0 V; V _{CSD} = 5 V; V _{IN} = 0 V; T _j = -40°C to 150°C | 0 | | 1 | μA |
| | | I _{OUT} = 0 A; V _{SENSE} = 0 V; V _{CSD} = 0 V; V _{IN} = 5 V; T _j = -40°C to 150°C | 0 | | 2 | μA |
| | | I _{OUT} = 2 A; V _{SENSE} = 0 V; V _{CSD} = 5 V; V _{IN} = 5 V; T _j = -40°C to 150°C | 0 | | 1 | μA |
| I _{OL} | Open-load on-state current detection threshold | V _{IN} = 5 V; 8 V < V _{CC} < 18 V; I _{SENSE} = 5 μA | 5 | | 30 | mA |
| V _{SENSE} | Max analog sense output voltage | I _{OUT} = 3 A; V _{CSD} = 0 V | 5 | | | V |
| V _{SENSEH} | Analog sense output voltage in fault condition ⁽¹⁾ | V _{CC} = 13 V; R _{SENSE} = 3.9 kΩ | | 8 | | V |
| I _{SENSEH} | Analog sense output current in fault condition ⁽²⁾ | V _{CC} = 13 V; V _{SENSE} = 5 V | | 9 | | mA |
| t _{DSSENSE1H} | Delay response time from falling edge of CS_DIS pin | V _{SENSE} < 4 V, 0.5 < I _{OUT} < 10 A I _{SENSE} = 90% of I _{SENSEMAX} (see Figure 4) | | 30 | 100 | μs |

Table 9. Current sense (8 V < V_{CC} < 18 V) (continued)

| Symbol | Parameter | Test conditions | Min. | Typ. | Max. | Unit |
|------------------------|--|---|------|------|------|------|
| t _{DSENSE1L} | Delay response time from rising edge of CS_DIS pin | V _{SENSE} < 4 V, 0.5 < I _{OUT} < 10 A I _{SENSE} = 10 % of I _{SENSEMAX} (see Figure 4) | | 5 | 20 | μs |
| t _{DSENSE2H} | Delay response time from rising edge of INPUT pin | V _{SENSE} < 4 V, 0.5 < I _{OUT} < 10 A I _{SENSE} = 90% of I _{SENSEMAX} (see Figure 4) | | 80 | 300 | μs |
| Δt _{DSENSE2H} | Delay response time between rising edge of output current and rising edge of current sense | V _{SENSE} < 4 V, I _{SENSE} = 90 % of I _{SENSEMAX} , I _{OUT} = 90 % of I _{OUTMAX} ; I _{OUTMAX} = 3 A; (see Figure 7) | | | 110 | μs |
| t _{DSENSE2L} | Delay response time from falling edge of INPUT pin | V _{SENSE} < 4 V, 0.5 < I _{OUT} < 10 A I _{SENSE} = 10 % of I _{SENSEMAX} (see Figure 4) | | 70 | 250 | μs |

1. Fault condition includes: power limitation, overtemperature and open-load off-state detection.

Table 10. Open-load detection (8 V < V_{CC} < 18 V)

| Symbol | Parameter | Test condition | Min. | Typ. | Max. | Unit |
|-----------------------|--|---|------|------------------------------|------|------|
| V _{OL} | Open-load off-state voltage detection threshold | V _{IN} = 0 V | 2 | See Figure 5 | 4 | V |
| t _{DSTKON} | Output short circuit to V _{CC} detection delay at turn-off | See Figure 5 | 180 | | 1200 | μs |
| I _{L(off2)r} | Off-state output current at V _{OUT} = 4V | V _{IN} = 0 V; V _{SENSE} = 0 V; V _{OUT} rising from 0 V to 4 V | -120 | | 0 | μA |
| I _{L(off2)f} | Off-state output current at V _{OUT} = 2 V | V _{IN} = 0 V; V _{SENSE} = V _{SENSEH} ; V _{OUT} falling from V _{CC} to 2 V | -50 | | 90 | μA |
| td_vol | Delay response from output rising edge to V _{SENSE} rising edge in openload | V _{OUT} = 4 V; V _{IN} = 0 V; V _{SENSE} = 90 % of V _{SENSEH} | | | 20 | μs |

Figure 4. Current sense delay characteristics

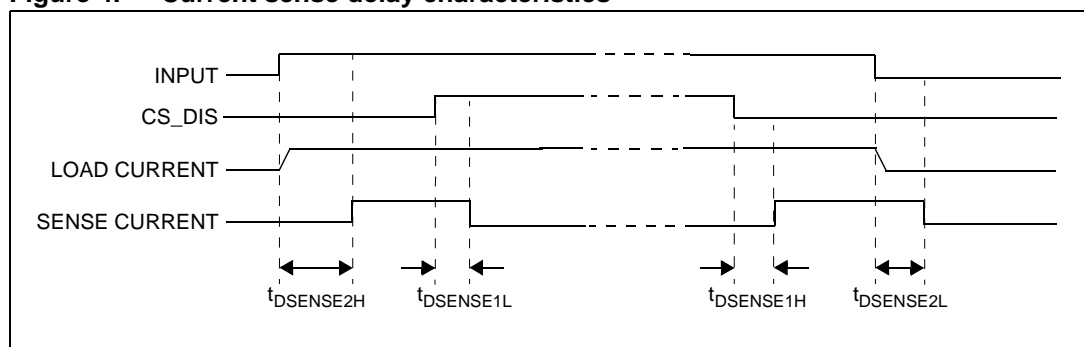


Figure 5. Open-load off-state delay timing

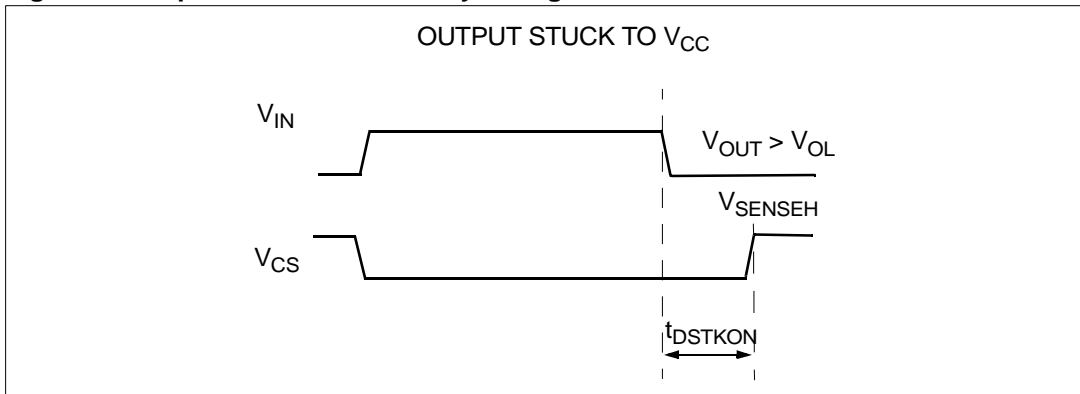


Figure 6. Switching characteristics

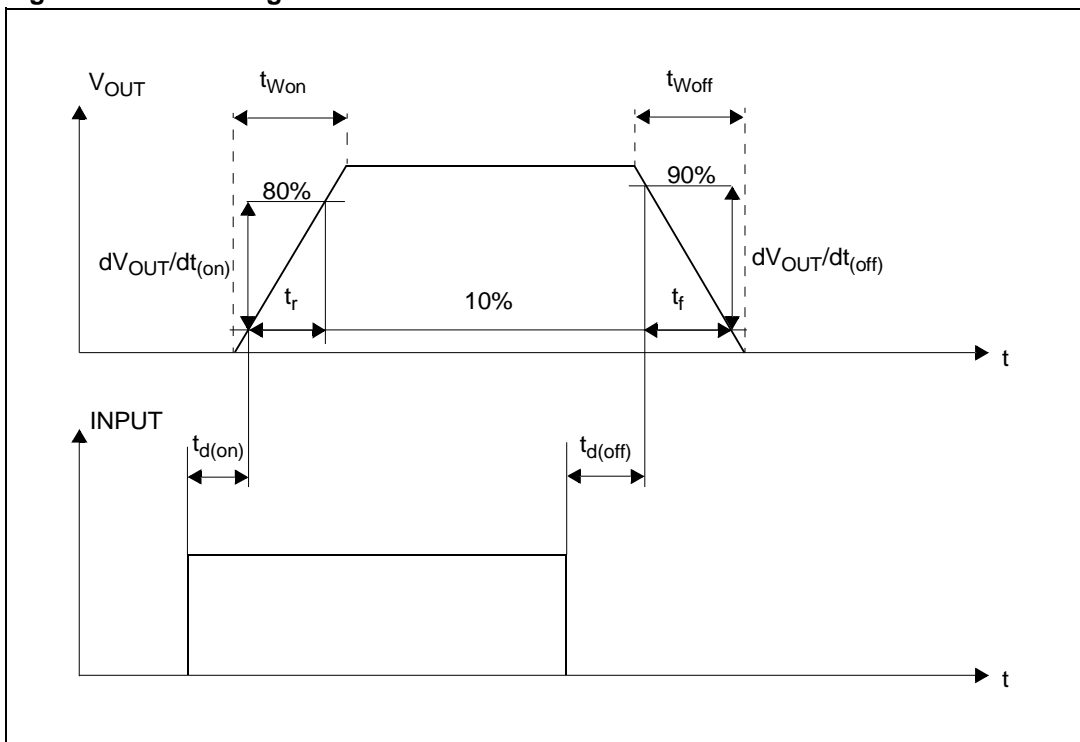


Figure 7. Delay response time between rising edge of output current and rising edge of current sense (CS enabled)

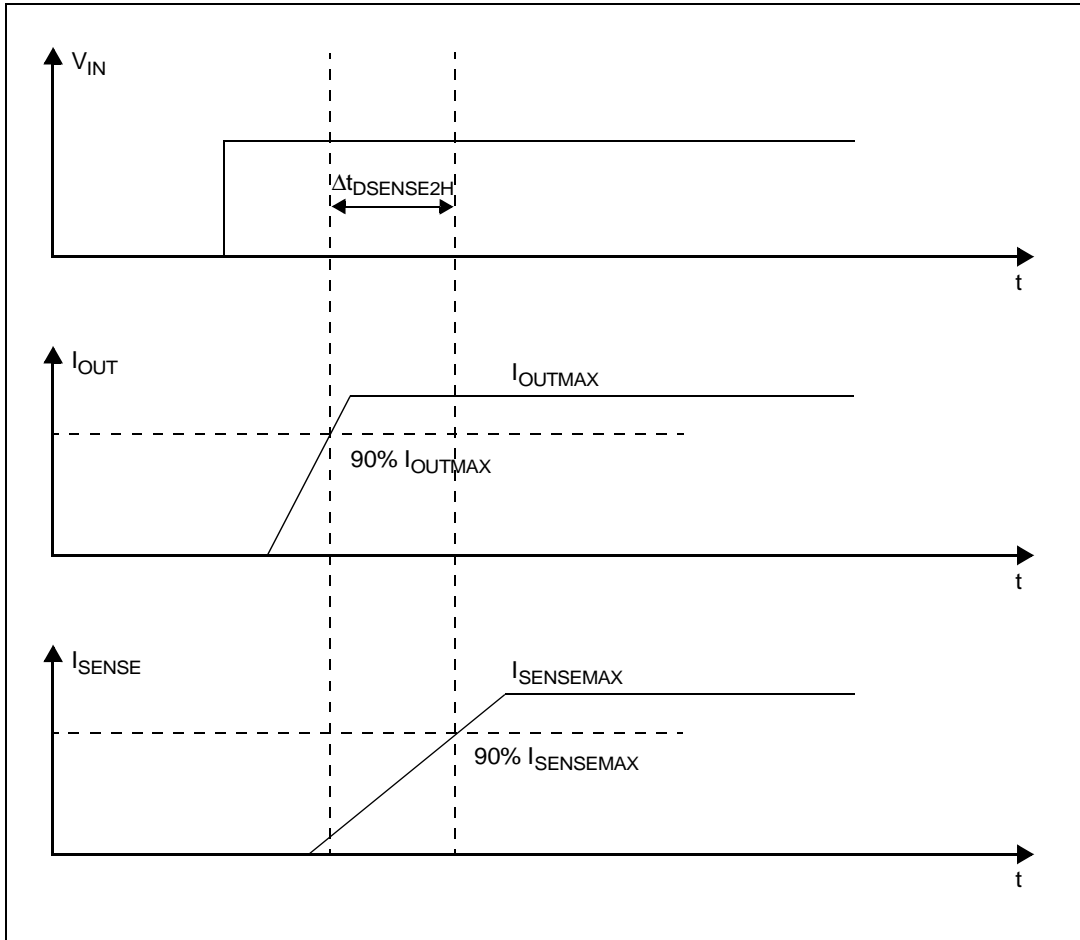


Figure 8. Output voltage drop limitation

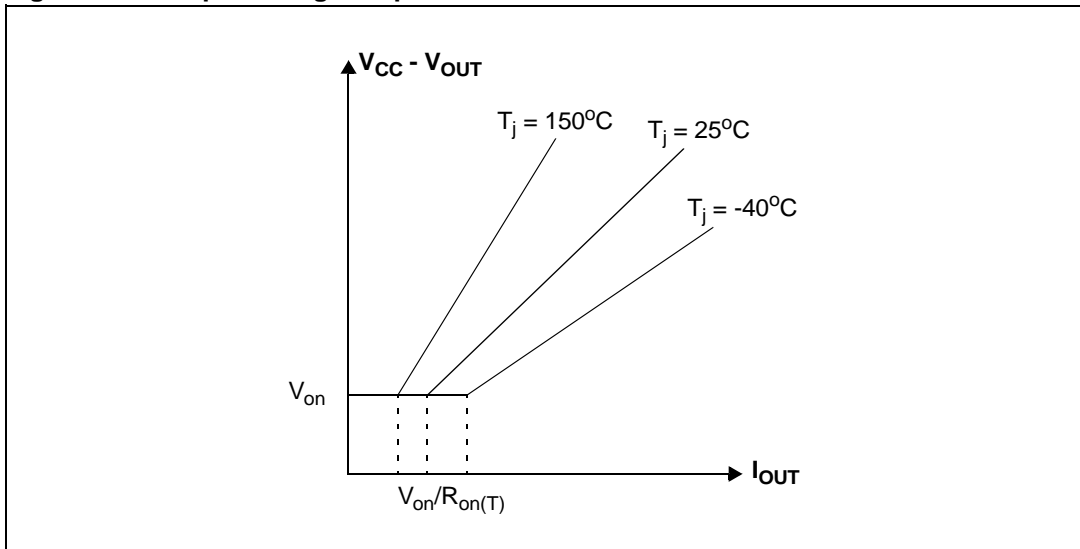


Figure 9. I_{OUT}/I_{SENSE} vs I_{OUT}

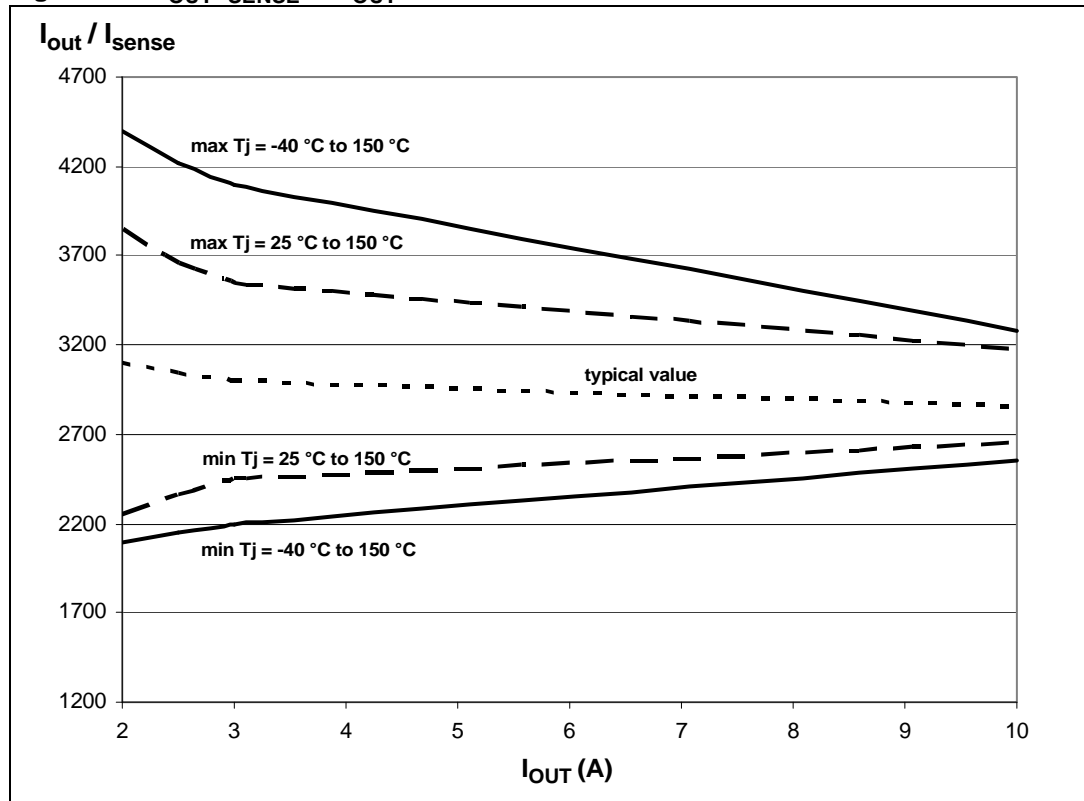
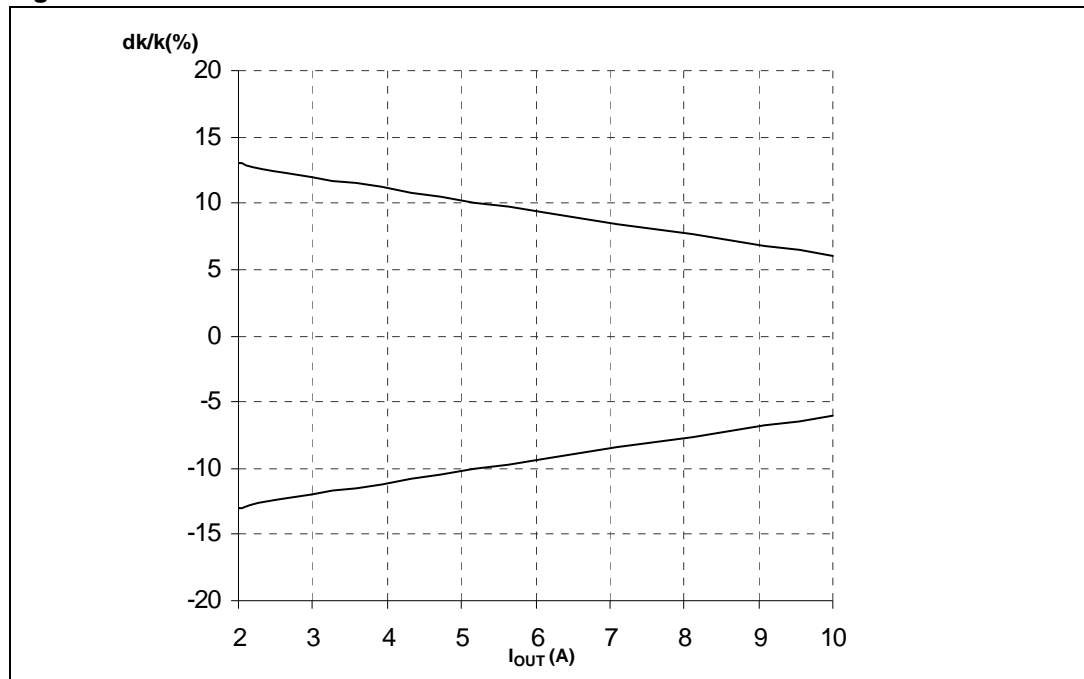


Figure 10. Maximum current sense ratio drift vs load current



Note: Parameter guaranteed by design; it is not tested.

Table 11. Truth table

| Conditions | Input | Output | Sense ($V_{CSD} = 0\text{ V}$) ⁽¹⁾ |
|---|-------|-------------------------------|---|
| Normal operation | L | L | 0 |
| | H | H | Nominal |
| Overtemperature | L | L | 0 |
| | H | L | V_{SENSEH} |
| Undervoltage | L | L | 0 |
| | H | L | 0 |
| Overload | H | X (no power limitation) | Nominal |
| | H | Cycling (power limitation) | V_{SENSEH} |
| Short circuit to GND (Power limitation) | L | L | 0 |
| | H | L | V_{SENSEH} |
| Open-load off-state (with external pull up) | L | H | V_{SENSEH} |
| Short circuit to V_{CC} (external pull up disconnected) | L | H | V_{SENSEH} |
| | H | H | V_{SENSEH} < Nominal |
| Negative output voltage clamp | L | L | 0 |

1. If the V_{CSD} is high, the SENSE output is at a high impedance, its potential depends on leakage currents and external circuit.

Table 12. Electrical transient requirements (part 1)

| ISO 7637-2: 2004(E) Test pulse | Test levels ⁽¹⁾ | | Number of pulses or test times | Burst cycle / pulse repetition time | | Delays and Impedance |
|--------------------------------------|----------------------------|-------|--------------------------------------|--|-------|-------------------------|
| | III | IV | | Min. | Max. | |
| 1 | -75V | -100V | 5000 pulses | 0.5s | 5s | 2 ms, 10Ω |
| 2a | +37V | +50V | 5000 pulses | 0.2s | 5s | 50μs, 2Ω |
| 3a | -100V | -150V | 1h | 90ms | 100ms | 0.1μs, 50Ω |
| 3b | +75V | +100V | 1h | 90ms | 100ms | 0.1μs, 50Ω |
| 4 | -6V | -7V | 1 pulse | | | 100ms, 0.01Ω |
| 5b ⁽²⁾ | +65V | +87V | 1 pulse | | | 400ms, 2Ω |

1. The above test levels must be considered referred to $V_{CC} = 13.5V$ except for pulse 5b.
2. Valid in case of external load dump clamp: 40V maximum referred to ground.

Table 13. Electrical transient requirements (part 2)

| ISO 7637-2: 2004E Test pulse | Test level results | |
|------------------------------------|--------------------|----|
| | III | VI |
| 1 | C | C |
| 2a | C | C |
| 3a | C | C |
| 3b | C | C |
| 4 | C | C |
| 5b ⁽¹⁾ | C | C |

1. Valid in case of external load dump clamp: 40V maximum referred to ground

Table 14. Electrical transient requirements (part 3)

| Class | Contents |
|-------|--|
| C | All functions of the device performed as designed after exposure to disturbance. |
| E | One or more functions of the device did not perform as designed after exposure to disturbance and cannot be returned to proper operation without replacing the device. |

2.4 Waveforms

Figure 11. Normal operation

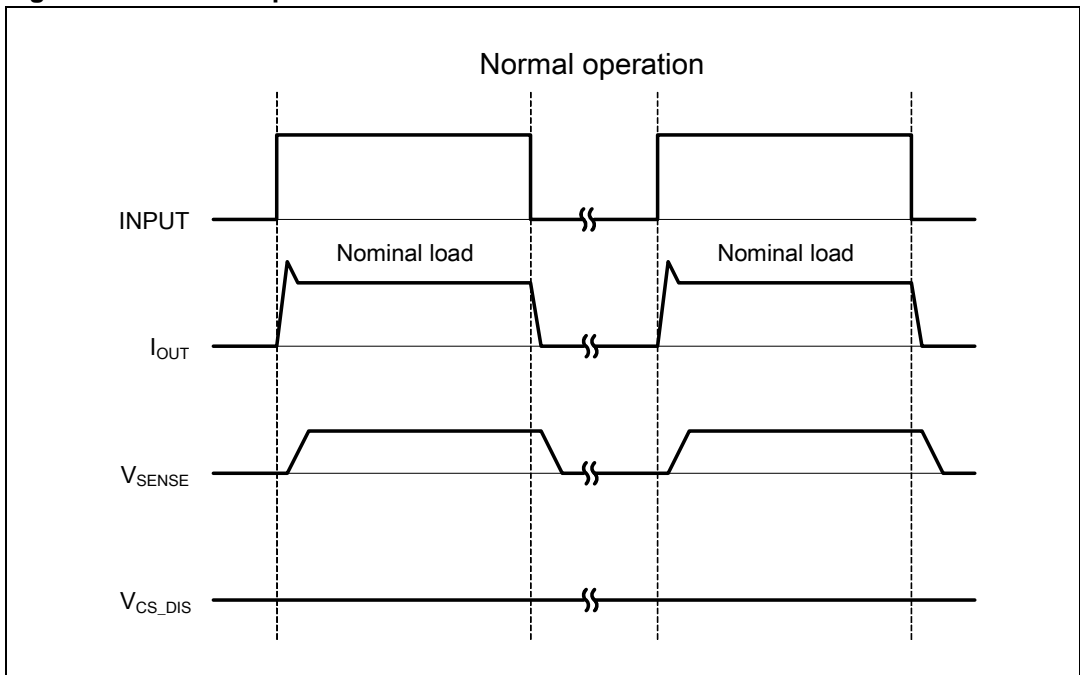


Figure 12. Overload or short to GND

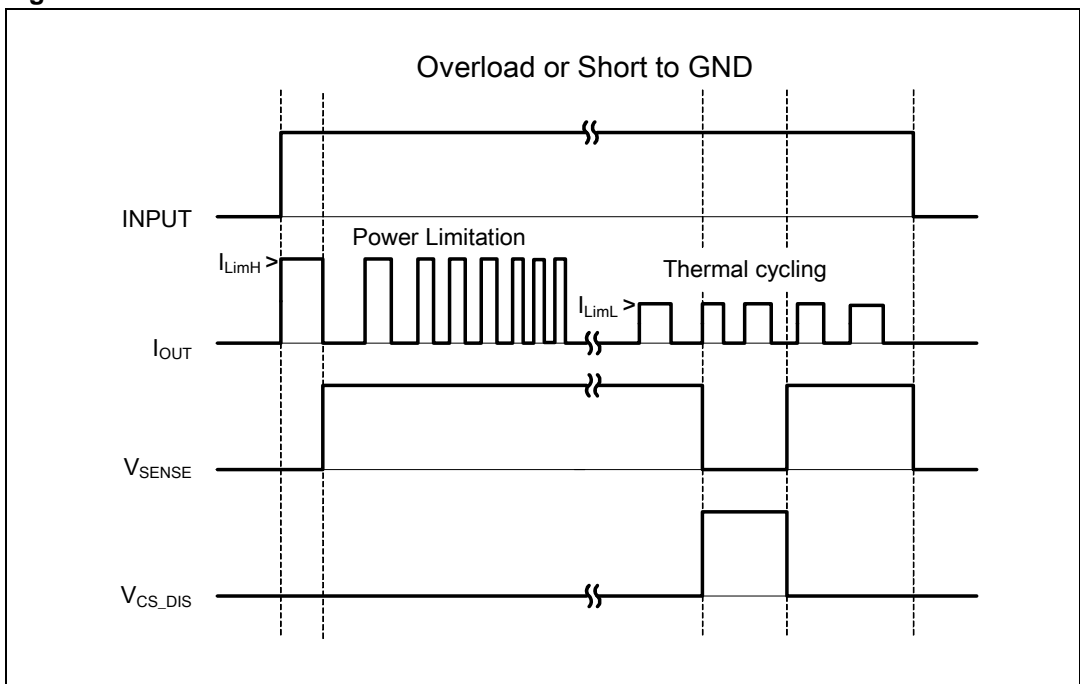


Figure 13. Intermittent overload

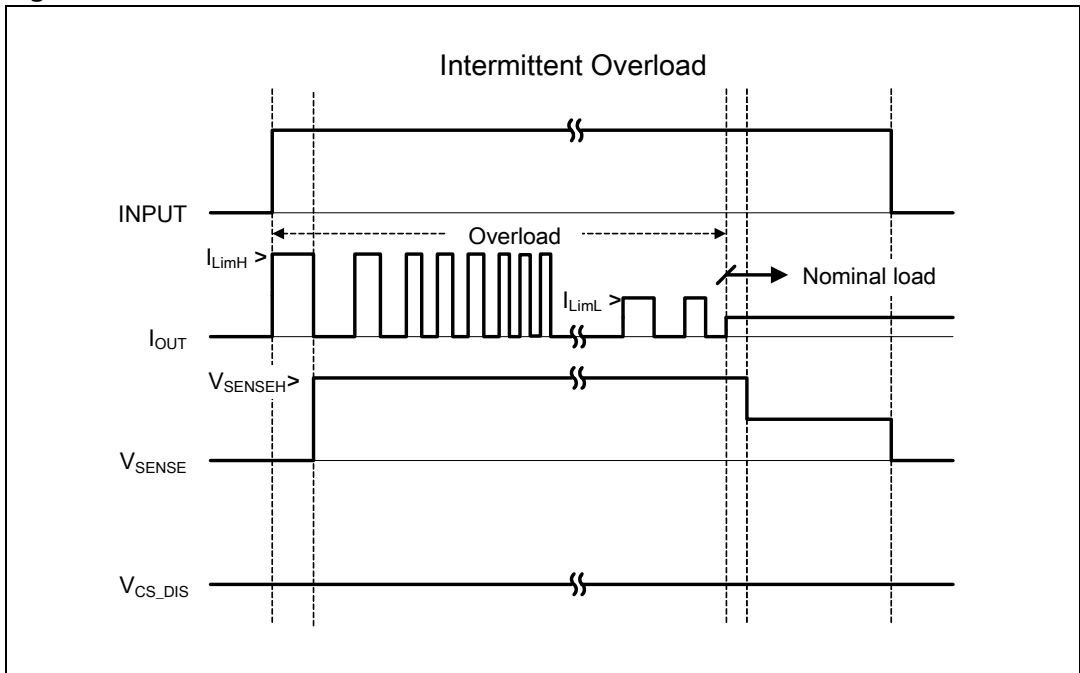


Figure 14. Off-state open-load with external circuitry

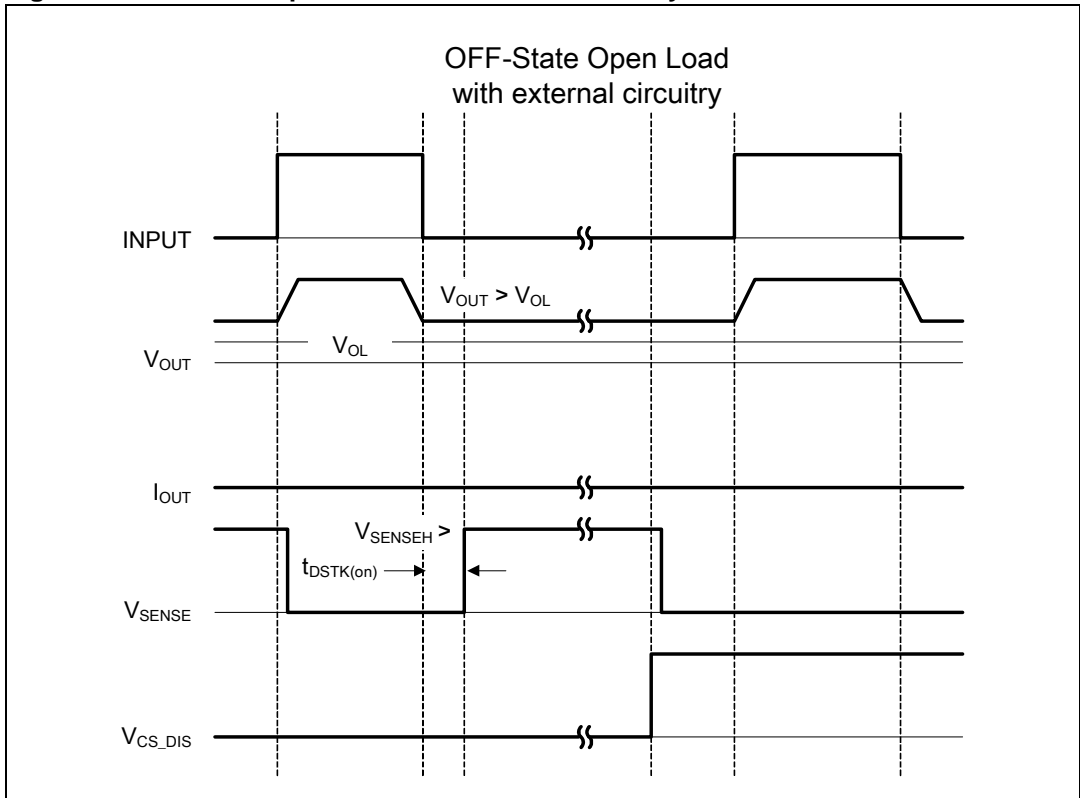


Figure 15. Short to V_{CC}

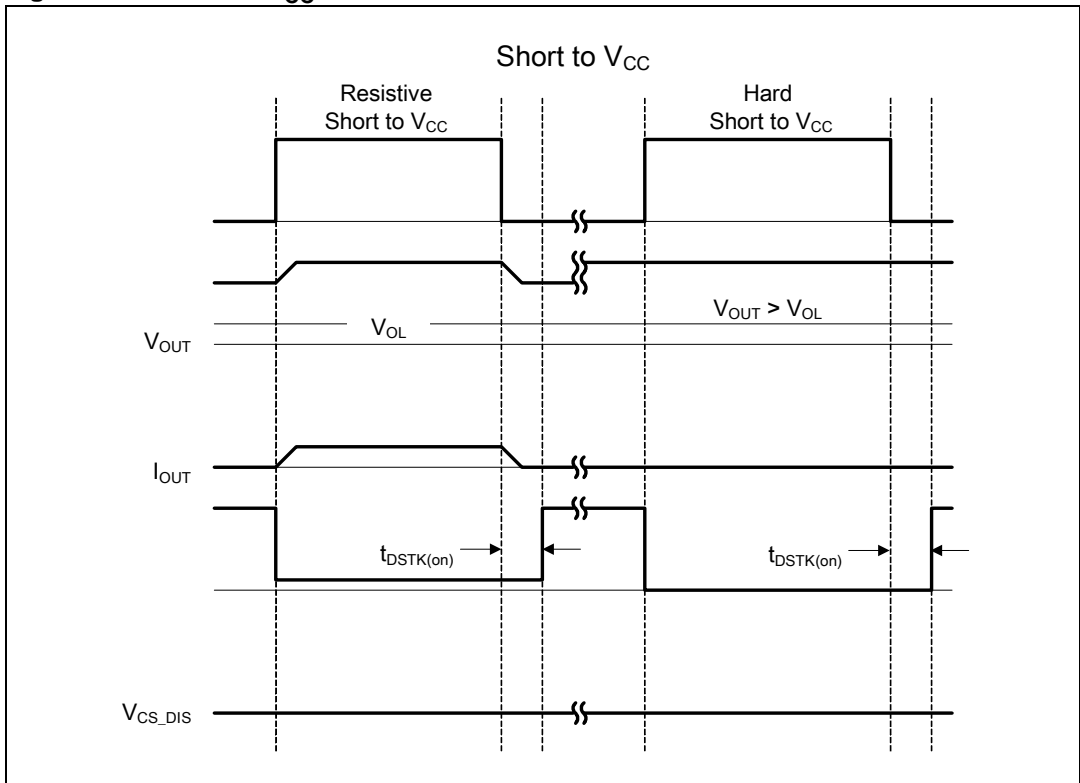
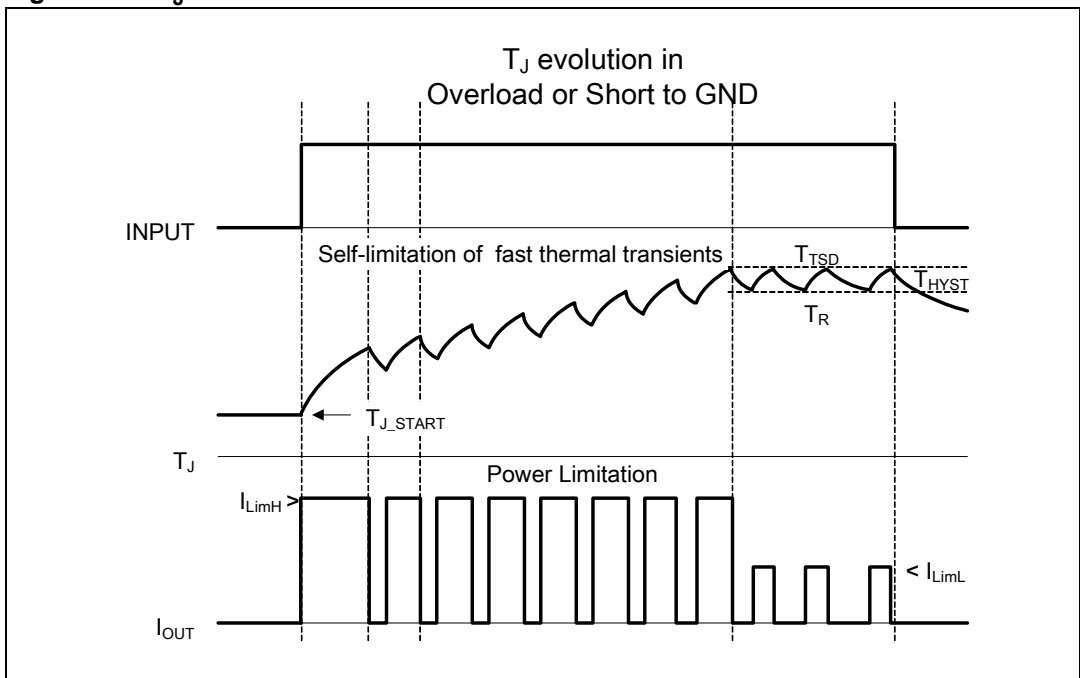


Figure 16. T_J evolution in overload or short to GND



2.5 Electrical characteristics curves

Figure 17. Off-state output current

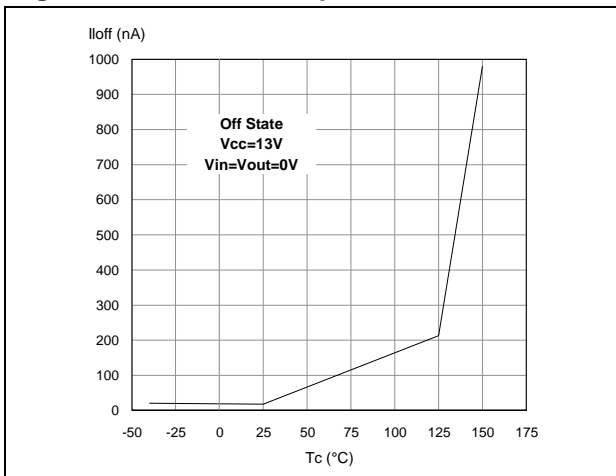


Figure 18. High level input current

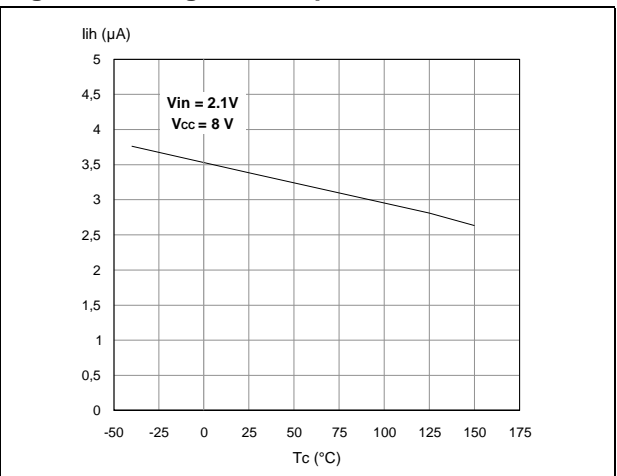


Figure 19. Input clamp voltage

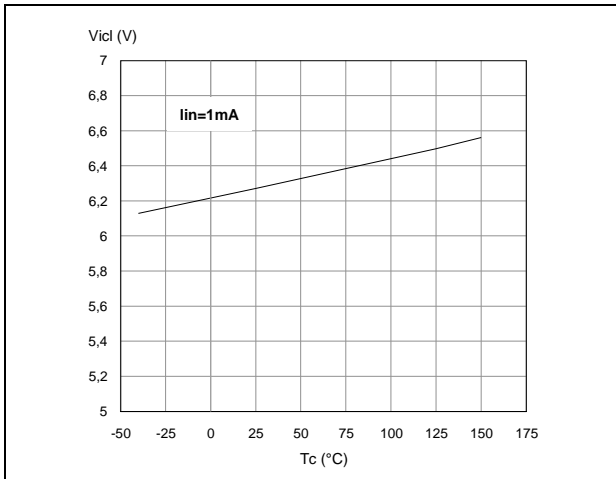


Figure 20. Input high level voltage

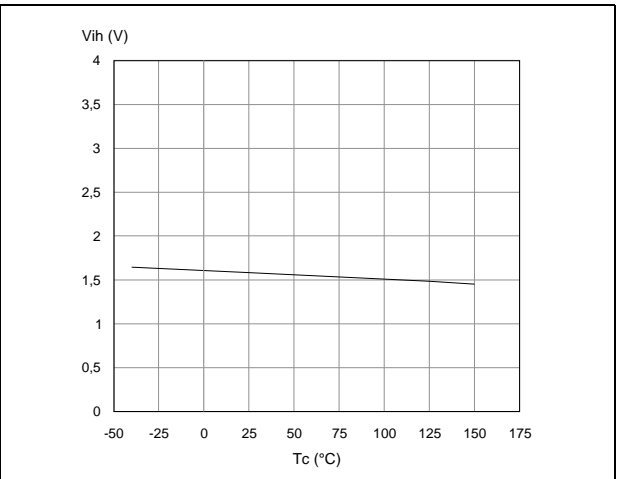


Figure 21. Input low level voltage

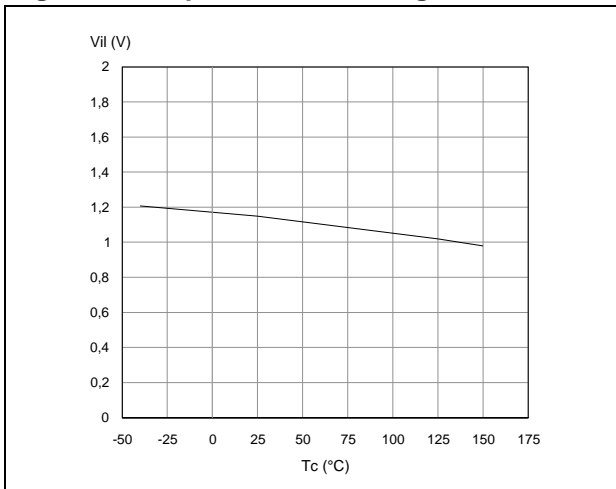


Figure 22. Input hysteresis voltage

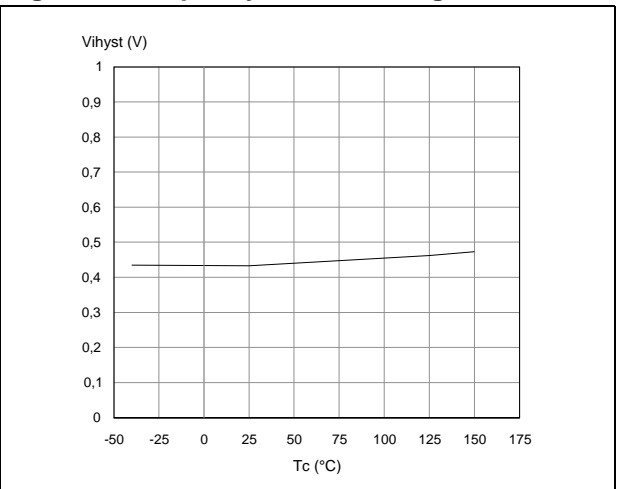


Figure 23. On-state resistance vs T_{case}

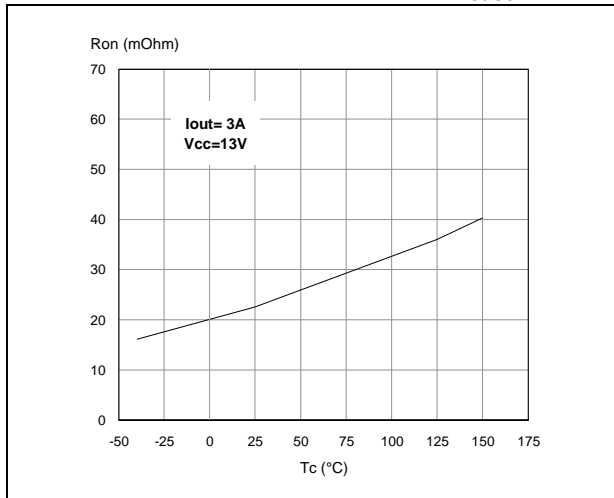


Figure 24. On-state resistance vs V_{CC}

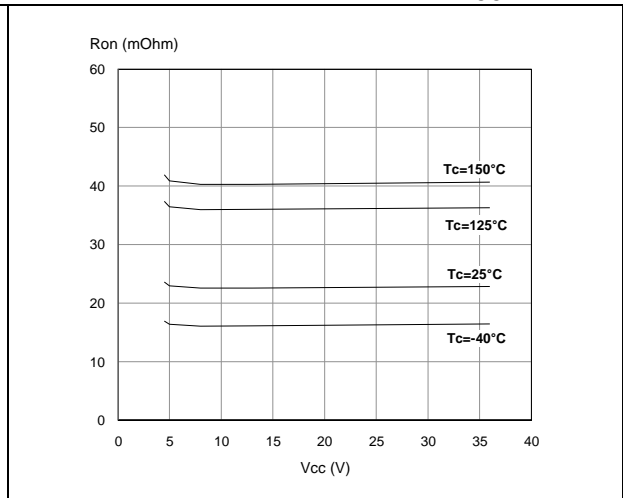


Figure 25. Undervoltage shutdown

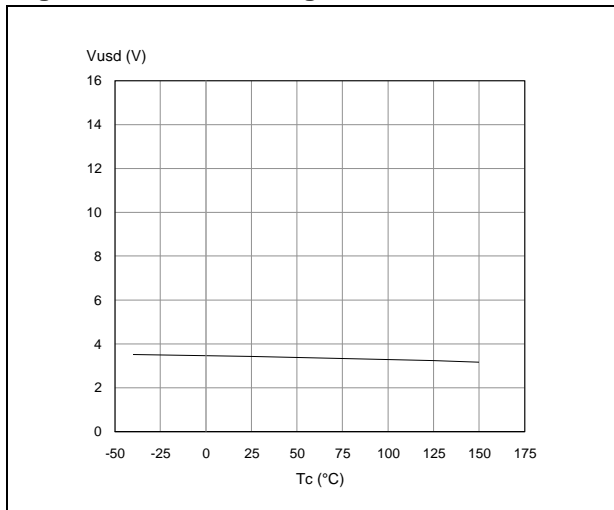


Figure 26. I_{LIMH} vs T_{case}

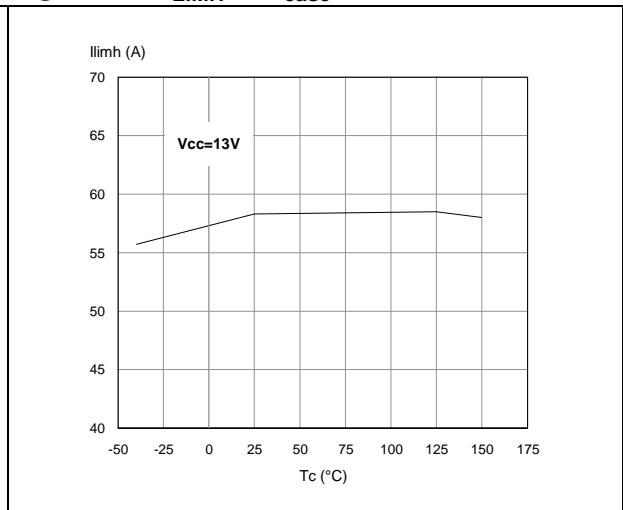


Figure 27. Turn-on voltage slope

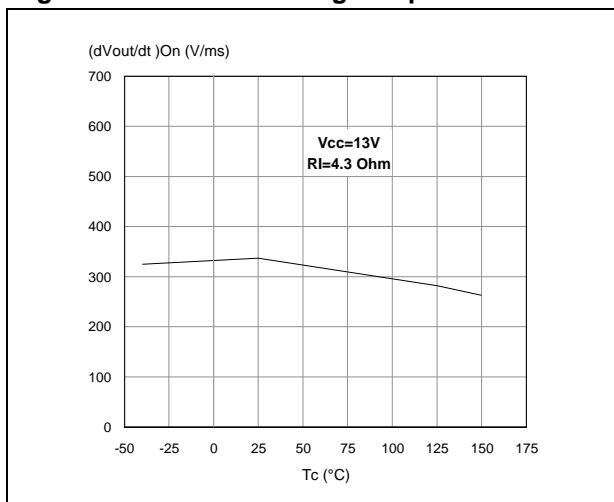


Figure 28. Turn-off voltage slope

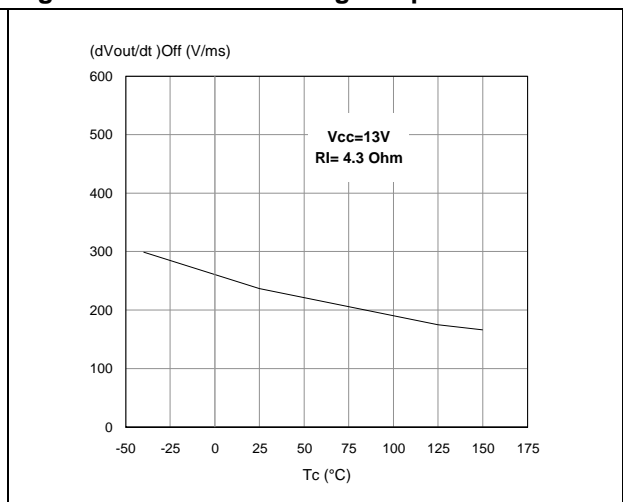


Figure 29. CS_DIS high level voltage

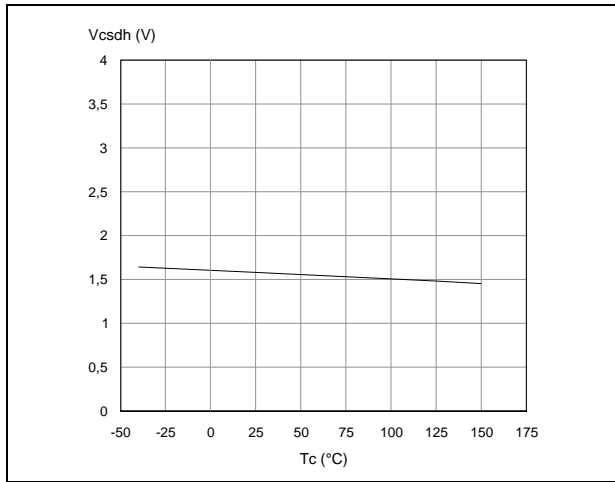


Figure 30. CS_DIS low level voltage

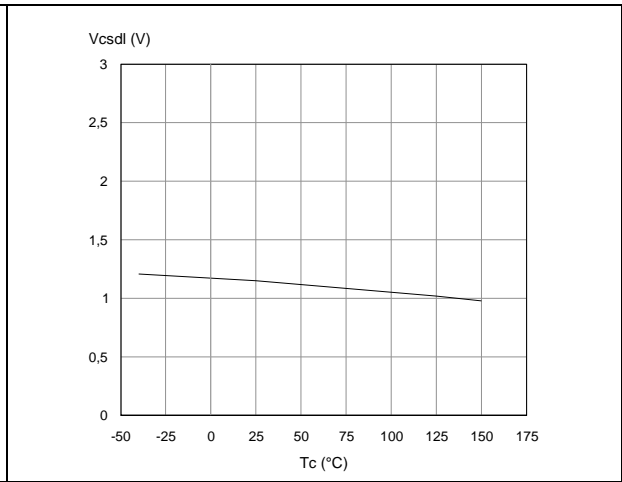
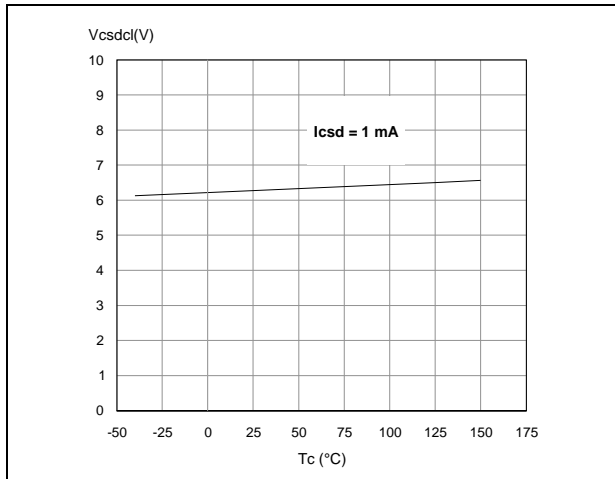
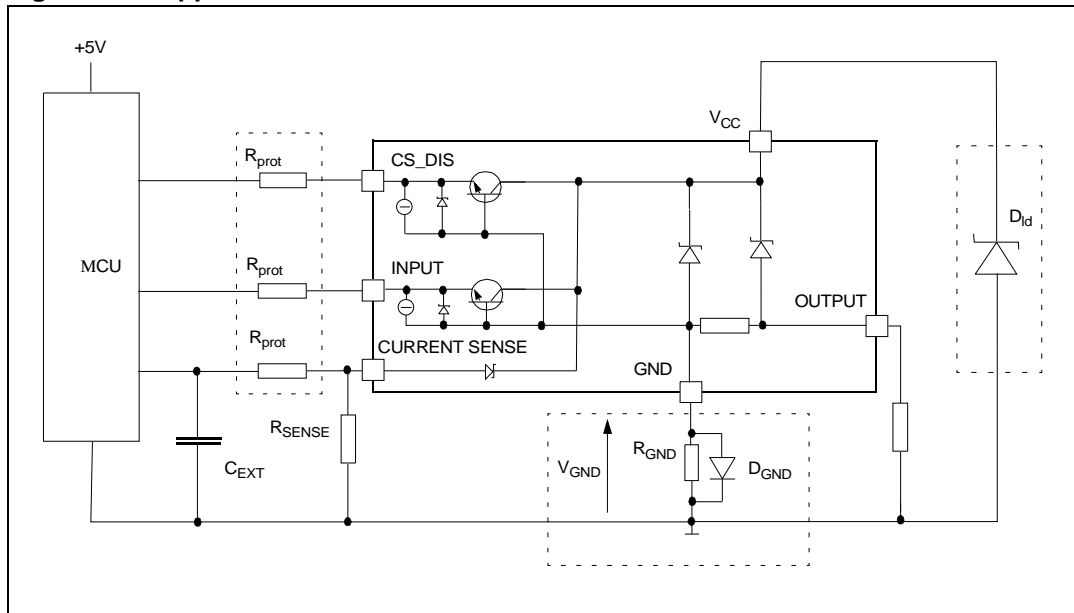


Figure 31. CS_DIS clamp voltage



3 Application information

Figure 32. Application schematic



1. Channel 2 has the same internal circuit as channel 1.

3.1 GND protection network against reverse battery

This section provides two solutions for implementing a ground protection network against reverse battery.

3.1.1 Solution 1: resistor in the ground line (R_{GND} only)

This can be used with any type of load.

The following is an indication on how to dimension the R_{GND} resistor.

1. $R_{GND} \leq 600\text{mV} / (I_{S(on)max})$
2. $R_{GND} \geq (-V_{CC}) / (-I_{GND})$

where -I_{GND} is the DC reverse ground pin current and can be found in the absolute maximum rating section of the device datasheet.

Power dissipation in R_{GND} (when V_{CC}<0: during reverse battery situations) is:

$$P_D = (-V_{CC})^2 / R_{GND}$$

This resistor can be shared amongst several different HSDs. Please note that the value of this resistor should be calculated with formula (1) where I_{S(on)max} becomes the sum of the maximum on-state currents of the different devices.

Please note that if the microprocessor ground is not shared by the device ground then the R_{GND} produces a shift (I_{S(on)max} * R_{GND}) in the input thresholds and the status output values. This shift varies depending on how many devices are On in the case of several high side drivers sharing the same R_{GND}.

If the calculated power dissipation leads to a large resistor or several devices have to share the same resistor then ST suggests to utilize Solution 2 (see below).

3.1.2 Solution 2: diode (D_{GND}) in the ground line

A resistor ($R_{GND} = 1 \text{ k}\Omega$) should be inserted in parallel to D_{GND} if the device drives an inductive load.

This small signal diode can be safely shared amongst several different HSDs. Also in this case, the presence of the ground network produces a shift ($\approx 600 \text{ mV}$) in the input threshold and in the status output values if the microprocessor ground is not common to the device ground. This shift not varies if more than one HSD shares the same diode/resistor network.

3.2 Load dump protection

D_{ld} is necessary (Voltage Transient Suppressor) if the load dump peak voltage exceeds the V_{CC} maximum DC rating. The same applies if the device is subject to transients on the V_{CC} line that are greater than the ones shown in the ISO 7637-2: 2004(E) table.

3.3 MCU I/Os protection

If a ground protection network is used and negative transient are present on the V_{CC} line, the control pins are pulled negative. ST suggests to insert a resistor (R_{prot}) in line to prevent the microcontroller I/O pins from latching-up.

The value of these resistors is a compromise between the leakage current of microcontroller and the current required by the HSD I/Os (Input levels compatibility) with the latch-up limit of microcontroller I/Os:

$$-V_{CCpeak}/I_{latchup} \leq R_{prot} \leq (V_{OH\mu C} - V_{IH} - V_{GND}) / I_{IHmax}$$

Calculation example:

For $V_{CCpeak} = -100\text{V}$ and $I_{latchup} \geq 20\text{mA}$; $V_{OH\mu C} \geq 4.5\text{V}$

$$5\text{k}\Omega \leq R_{prot} \leq 180\text{k}\Omega$$

Recommended values: $R_{prot} = 10\text{k}\Omega$, $C_{EXT} = 10\text{nF}$.

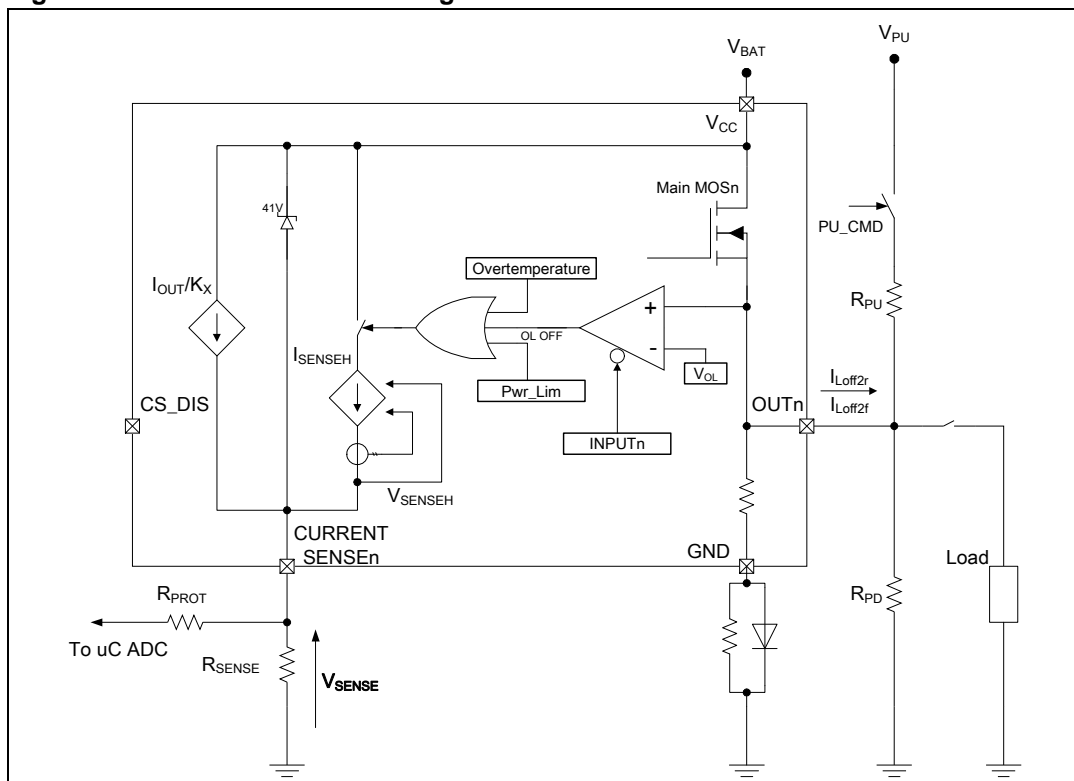
3.4 Current sense and diagnostic

The current sense pin performs a double function (see *Figure 33: Current sense and diagnostic*):

- **Current mirror of the load current in normal operation**, delivering a current proportional to the load current according to a known ratio K_x .
The current I_{SENSE} can be easily converted to a voltage V_{SENSE} by means of an external resistor R_{SENSE} . Linearity between I_{OUT} and V_{SENSE} is ensured up to 5V minimum (see parameter V_{SENSE} in *Table 9: Current sense (8 V < VCC < 18 V)*). The current sense accuracy depends on the output current (refer to current sense electrical characteristics *Table 9: Current sense (8 V < VCC < 18 V)*).
- **Diagnostic flag in fault conditions**, delivering a fixed voltage V_{SENSEH} up to a maximum current I_{SENSEH} in case of the following fault conditions (refer to *Table 11: Truth table*):
 - Power limitation activation
 - Overtemperature
 - Short to V_{CC} in off-state
 - Open-load in off-state with additional external components.

A logic level high on the CS_DIS pin sets at the same time all the current sense pins of the device in a high impedance state, thus disabling the current monitoring and diagnostic detection. This feature allows multiplexing of the microcontroller analog inputs by sharing of sense resistance and ADC line among different devices.

Figure 33. Current sense and diagnostic



3.4.1 Short to V_{CC} and off-state open-load detection

Short to V_{CC}

A short circuit between V_{CC} and output is indicated by the relevant current sense pin set to V_{SENSEH} during the device off-state. Little or no current is delivered by the current sense during the on-state depending on the nature of the short circuit.

Off-state open-load with external circuitry

Detection of an open-load in off mode requires an external pull-up resistor (R_{PU}) connecting the output to a positive supply voltage V_{PU} .

It is preferable that V_{PU} is switched off during the module standby mode to avoid an increase in overall standby current consumption in normal conditions, that is, when the load is connected.

An external pull-down resistor (R_{PD}) connected between output and GND is mandatory to avoid misdetection in case of floating outputs in off-state (see [Figure 33: Current sense and diagnostic](#)).

R_{PD} must be selected in order to ensure $V_{OUT} < V_{OLmin}$ unless pulled up by the external circuitry:

$$V_{OUT}|_{Pull-up_OFF} = R_{PD} \cdot I_{L(off)2f} < V_{OLmin} = 2V$$

$R_{PD} \leq 22 \text{ K}\Omega$ is recommended.

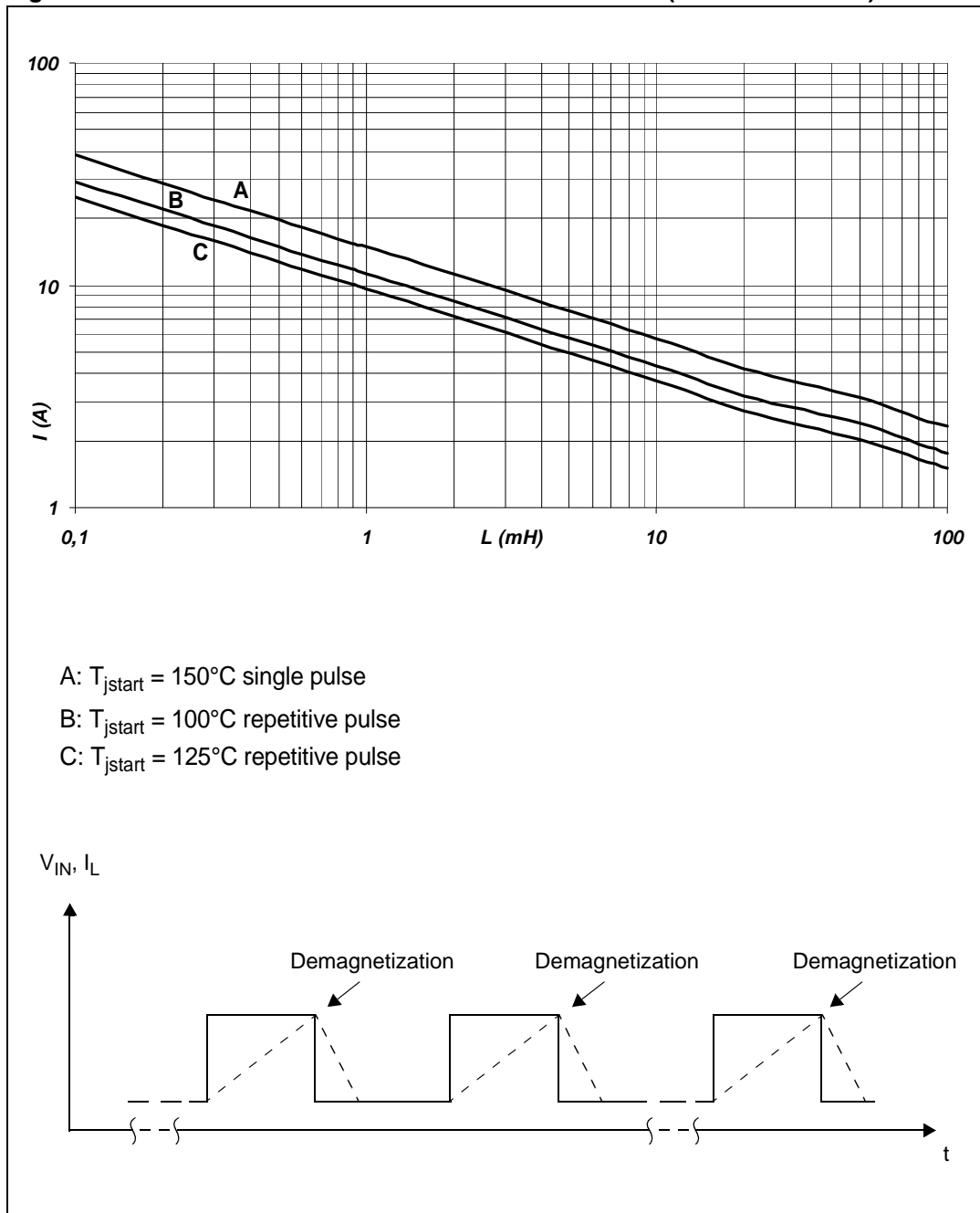
For proper open-load detection in off-state, the external pull-up resistor must be selected according to the following formula:

$$V_{OUT}|_{Pull-up_ON} = \frac{R_{PD} \cdot V_{PU} - R_{PU} \cdot R_{PD} \cdot I_{L(off)2r}}{R_{PU} + R_{PD}} > V_{OLmax} = 4V$$

For the values of V_{OLmin} , V_{OLmax} , $I_{L(off)2r}$ and $I_{L(off)2f}$ see [Table 10: Open-load detection \(8 V < VCC < 18 V\)](#).

3.5 Maximum demagnetization energy ($V_{CC} = 13.5\text{ V}$)

Figure 34. Maximum turn-off current versus inductance (for each channel)

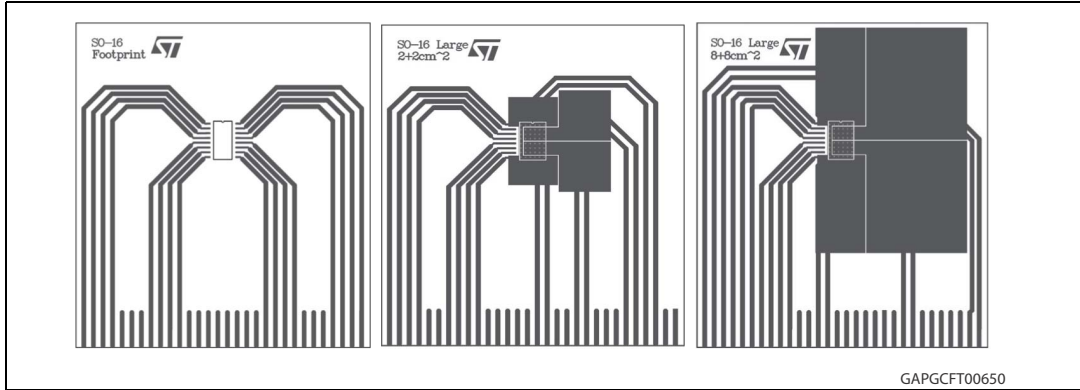


1. Values are generated with $R_{\theta} = 0\ \Omega$.
 In case of repetitive pulses, T_{jstart} (at the beginning of each demagnetization) of every pulse must not exceed the temperature specified above for curves A and B.

4 Package and thermal data

4.1 SO-16L thermal data

Figure 35. SO-16L PC board



1. Layout condition of Rth and Zth measurements (PCB: Double Layers, Thermal Vias, FR4 area 77 mm x 86 mm, PCB thickness = 1.6 mm, Cu thickness = 70 μm (front and back side), Copper area from minimum pad lay-out to 24 cm²).

Figure 36. $R_{thj-amb}$ vs PCB copper area in open box free air condition (one channel on)

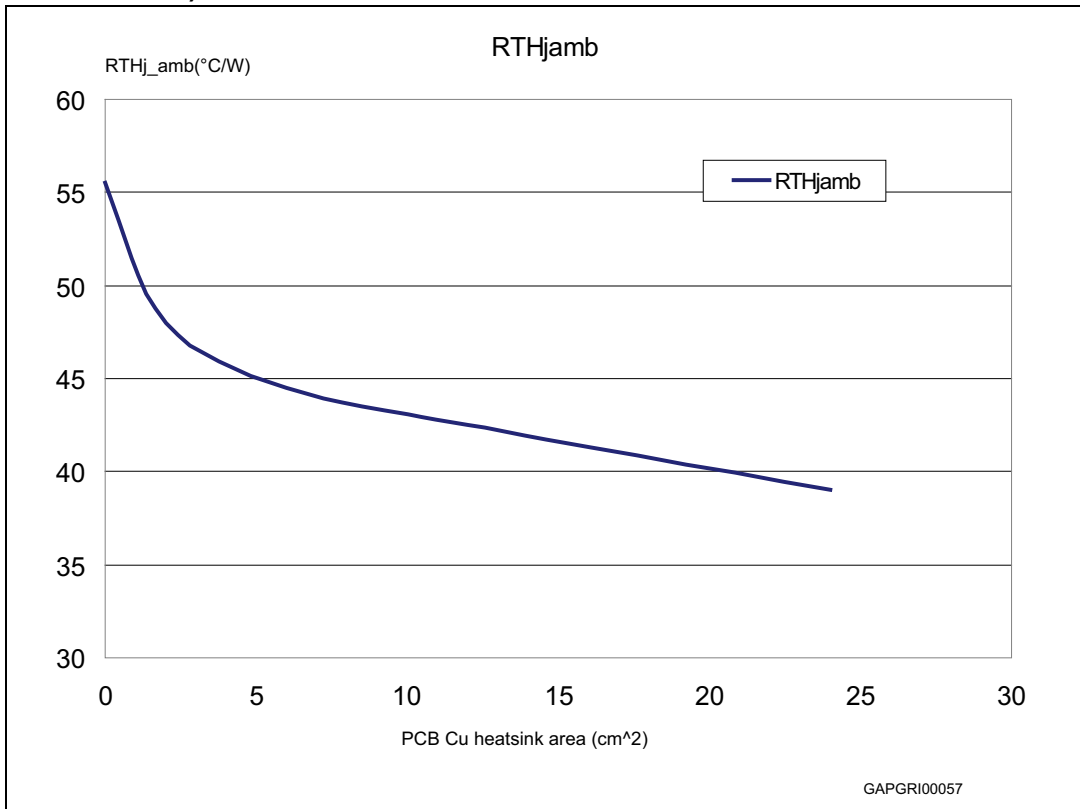
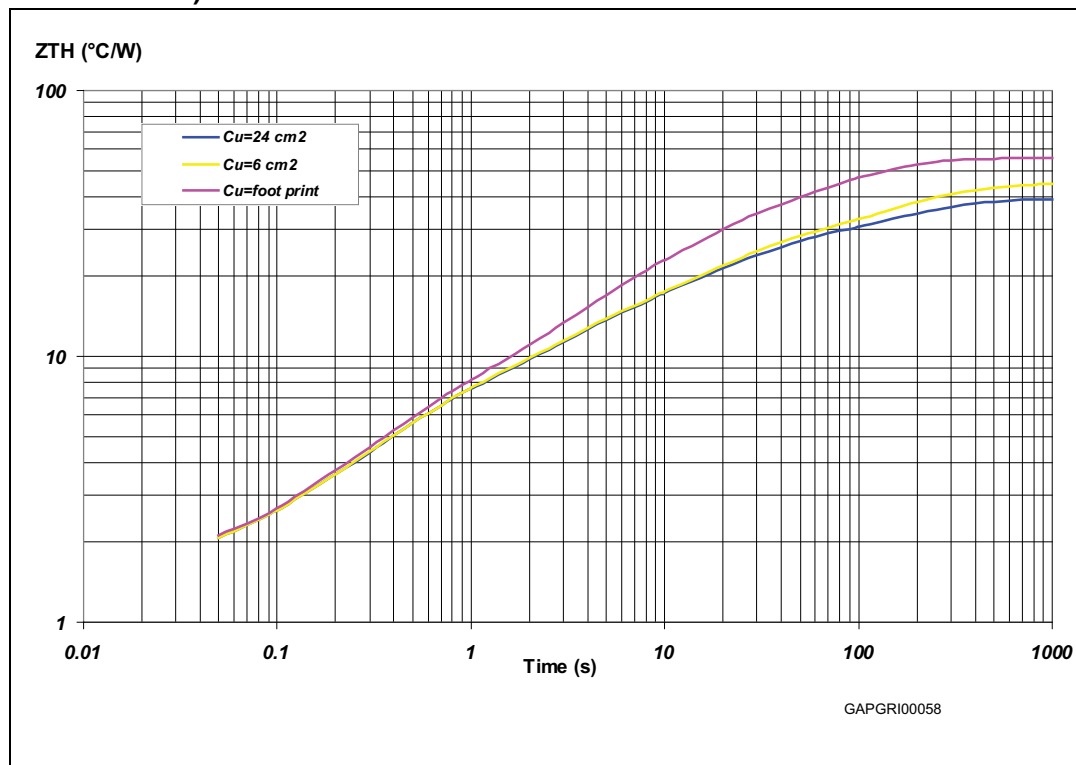


Figure 37. SO-16L thermal impedance junction to ambient single pulse (one channel on)

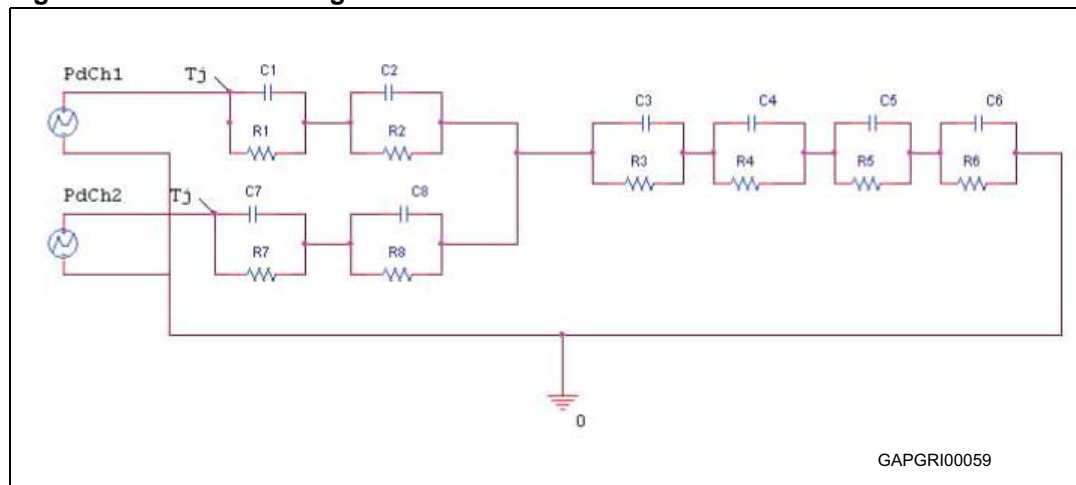


Equation 1: pulse calculation formula

$$Z_{TH\delta} = R_{TH} \cdot \delta + Z_{THtp}(1 - \delta)$$

where $\delta = t_p/T$

Figure 38. Thermal fitting model of a double channel HSD in SO-16L⁽¹⁾



1. The fitting model is a simplified thermal tool and is valid for transient evolutions where the embedded protections (power limitation or thermal cycling during thermal shutdown) are not triggered.

Table 15. Thermal parameters

| Area/Island (cm ²) | Footprint | 2 | 8 |
|--------------------------------|-----------|-----|------|
| R1 (°C/W) | 0.28 | | |
| R2 (°C/W) | 1.2 | | |
| R3 (°C/W) | 4 | | |
| R4 (°C/W) | 8 | 6 | 6 |
| R5 (°C/W) | 14 | 13 | 13 |
| R6 (°C/W) | 28 | 20 | 14.5 |
| R7 (°C/W) | 0.28 | | |
| R8 (°C/W) | 1.2 | | |
| C1 (W.s/°C) | 0.001 | | |
| C2 (W.s/°C) | 0.005 | | |
| C3 (W.s/°C) | 0.1 | | |
| C4 (W.s/°C) | 0.5 | | |
| C5 (W.s/°C) | 1 | 1.5 | 1.5 |
| C6 (W.s/°C) | 3 | 9 | 12 |
| C7 (W.s/°C) | 0.001 | | |
| C8 (W.s/°C) | 0.005 | | |

5 Package and packing information

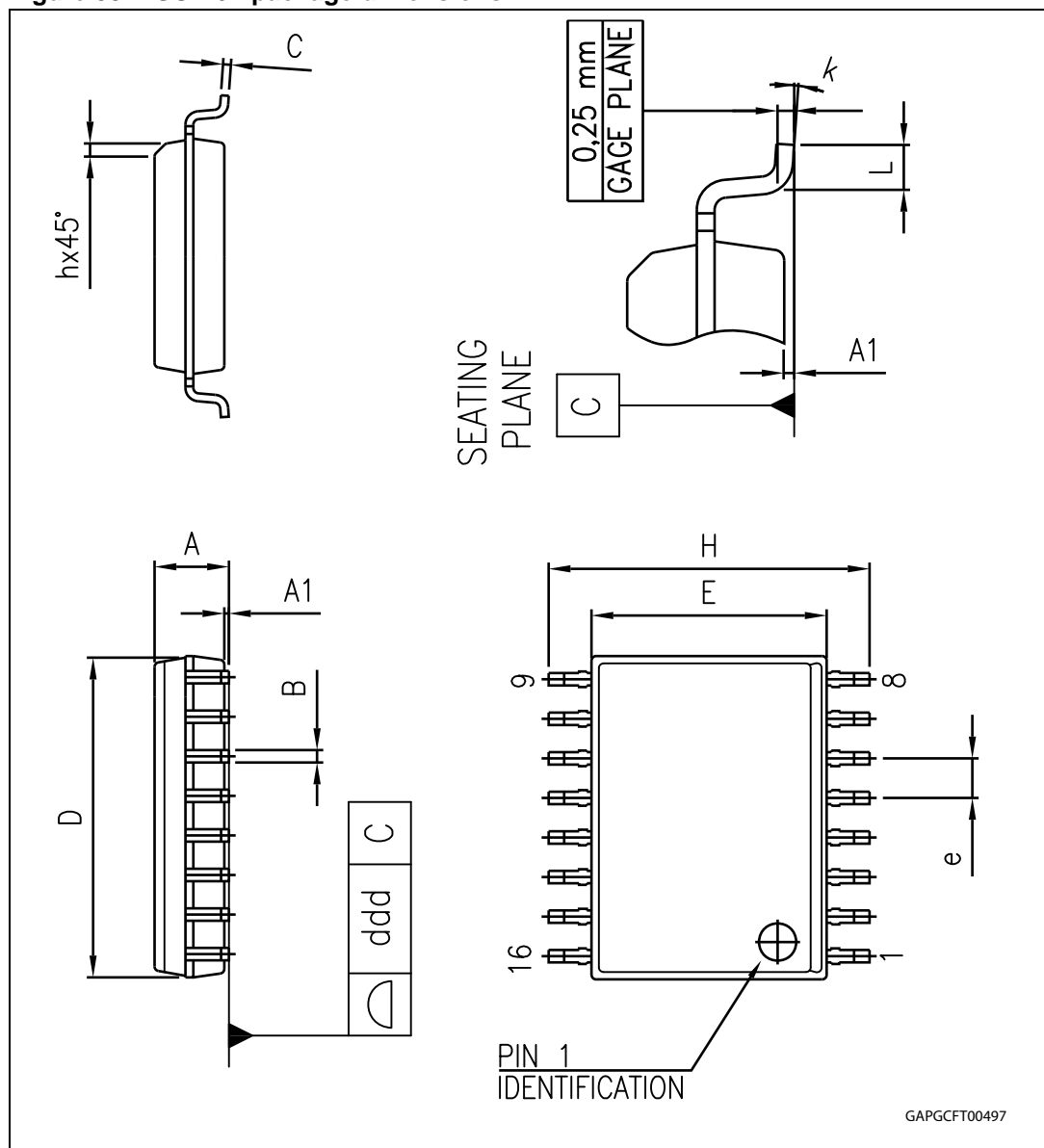
5.1 ECOPACK® packages

In order to meet environmental requirements, ST offers these devices in different grades of ECOPACK® packages, depending on their level of environmental compliance. ECOPACK® specifications, grade definitions and product status are available at: www.st.com.

ECOPACK® is an ST trademark.

5.2 Package mechanical data

Figure 39. SO-16L package dimensions



GAPGCF00497

Table 16. SO-16L mechanical data

| Symbol | Millimeters | | |
|--------|-------------|------|-------|
| | Min | Typ | Max |
| A | 2.35 | | 2.65 |
| A1 | 0.10 | | 0.30 |
| B | 0.33 | | 0.51 |
| C | 0.23 | | 0.32 |
| D | 10.10 | | 10.50 |
| E | 7.40 | | 7.60 |
| e | | 1.27 | |
| H | 10.00 | | 10.65 |
| h | 0.25 | | 0.75 |
| L | 0.40 | | 1.27 |
| k | 0° | | 8° |
| ddd | | | 0.10 |

5.3 Packing information

Figure 40. SO-16L tube shipment (no suffix)

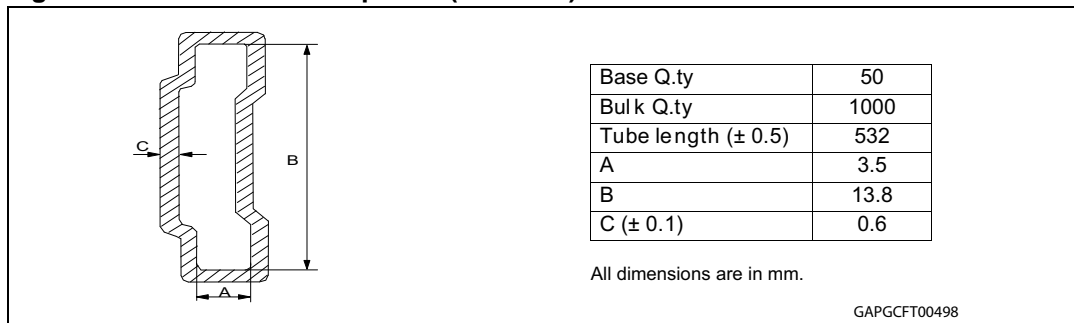
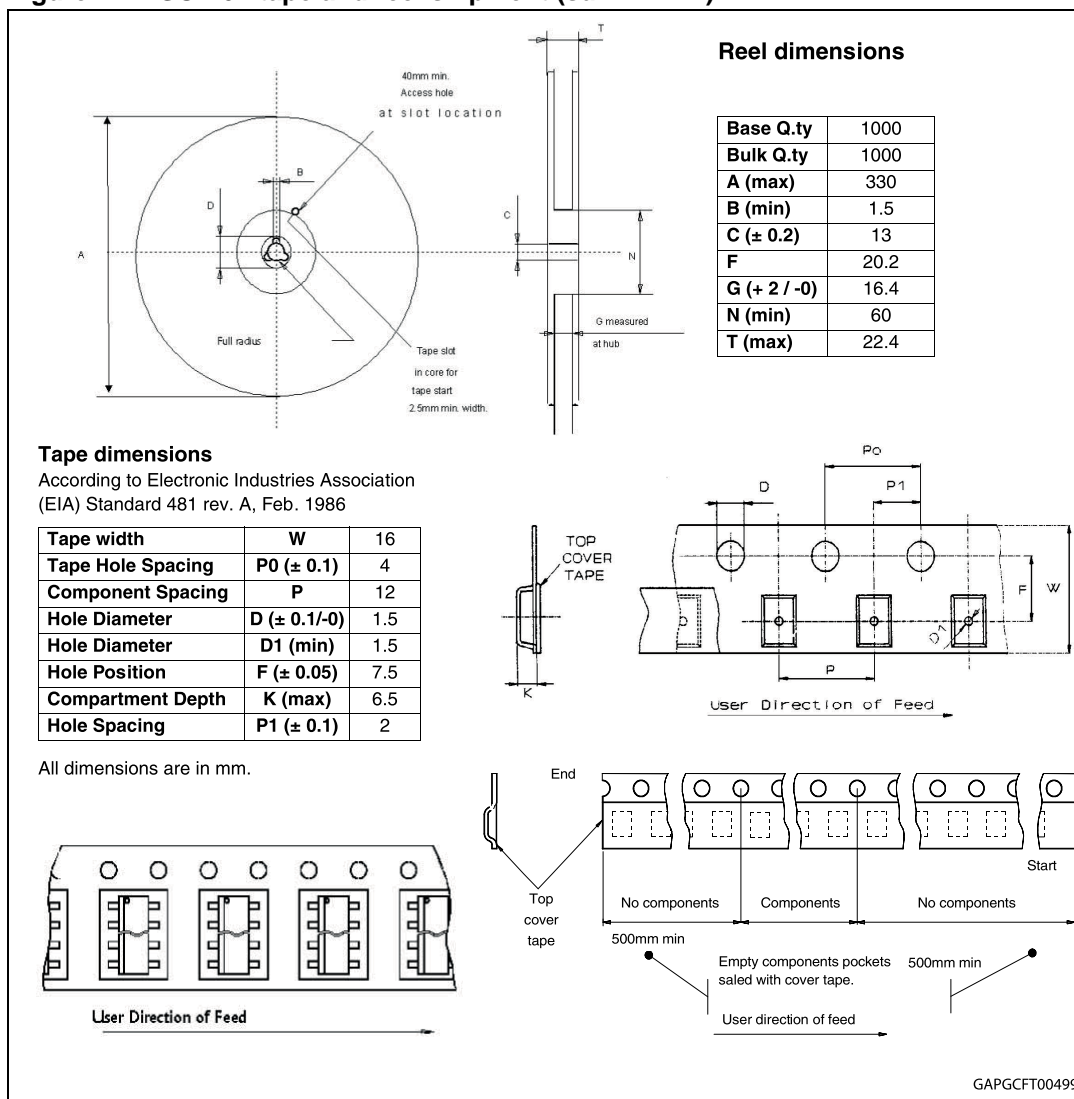


Figure 41. SO-16L tape and reel shipment (suffix "TR")



6 Order codes

Table 17. Device summary

| Package | Order codes | |
|---------|--------------|----------------|
| | Tube | Tape and reel |
| SO-16L | VND5E025AS-E | VND5E025ASTR-E |

7 Revision history

Table 18. Document revision history

| Date | Revision | Changes |
|-------------|----------|---|
| 11-Nov-2011 | 1 | Initial release. |
| 19-Dec-2011 | 2 | Updated Figure 2 . |
| 13-Mar-2012 | 3 | Added Section 4: Package and thermal data . |
| 19-Jun-2012 | 4 | Updated Table 4: Thermal data |
| 17-Sep-2012 | 5 | Updated Table 4: Thermal data |
| 18-Sep-2013 | 6 | Updated disclaimer. |

Please Read Carefully:

Information in this document is provided solely in connection with ST products. STMicroelectronics NV and its subsidiaries ("ST") reserve the right to make changes, corrections, modifications or improvements, to this document, and the products and services described herein at any time, without notice.

All ST products are sold pursuant to ST's terms and conditions of sale.

Purchasers are solely responsible for the choice, selection and use of the ST products and services described herein, and ST assumes no liability whatsoever relating to the choice, selection or use of the ST products and services described herein.

No license, express or implied, by estoppel or otherwise, to any intellectual property rights is granted under this document. If any part of this document refers to any third party products or services it shall not be deemed a license grant by ST for the use of such third party products or services, or any intellectual property contained therein or considered as a warranty covering the use in any manner whatsoever of such third party products or services or any intellectual property contained therein.

UNLESS OTHERWISE SET FORTH IN ST'S TERMS AND CONDITIONS OF SALE ST DISCLAIMS ANY EXPRESS OR IMPLIED WARRANTY WITH RESPECT TO THE USE AND/OR SALE OF ST PRODUCTS INCLUDING WITHOUT LIMITATION IMPLIED WARRANTIES OF MERCHANTABILITY, FITNESS FOR A PARTICULAR PURPOSE (AND THEIR EQUIVALENTS UNDER THE LAWS OF ANY JURISDICTION), OR INFRINGEMENT OF ANY PATENT, COPYRIGHT OR OTHER INTELLECTUAL PROPERTY RIGHT.

ST PRODUCTS ARE NOT DESIGNED OR AUTHORIZED FOR USE IN: (A) SAFETY CRITICAL APPLICATIONS SUCH AS LIFE SUPPORTING, ACTIVE IMPLANTED DEVICES OR SYSTEMS WITH PRODUCT FUNCTIONAL SAFETY REQUIREMENTS; (B) AERONAUTIC APPLICATIONS; (C) AUTOMOTIVE APPLICATIONS OR ENVIRONMENTS, AND/OR (D) AEROSPACE APPLICATIONS OR ENVIRONMENTS. WHERE ST PRODUCTS ARE NOT DESIGNED FOR SUCH USE, THE PURCHASER SHALL USE PRODUCTS AT PURCHASER'S SOLE RISK, EVEN IF ST HAS BEEN INFORMED IN WRITING OF SUCH USAGE, UNLESS A PRODUCT IS EXPRESSLY DESIGNATED BY ST AS BEING INTENDED FOR "AUTOMOTIVE, AUTOMOTIVE SAFETY OR MEDICAL" INDUSTRY DOMAINS ACCORDING TO ST PRODUCT DESIGN SPECIFICATIONS. PRODUCTS FORMALLY ESCC, QML OR JAN QUALIFIED ARE DEEMED SUITABLE FOR USE IN AEROSPACE BY THE CORRESPONDING GOVERNMENTAL AGENCY.

Resale of ST products with provisions different from the statements and/or technical features set forth in this document shall immediately void any warranty granted by ST for the ST product or service described herein and shall not create or extend in any manner whatsoever, any liability of ST.

ST and the ST logo are trademarks or registered trademarks of ST in various countries.

Information in this document supersedes and replaces all information previously supplied.

The ST logo is a registered trademark of STMicroelectronics. All other names are the property of their respective owners.

© 2013 STMicroelectronics - All rights reserved



STMicroelectronics group of companies

Australia - Belgium - Brazil - Canada - China - Czech Republic - Finland - France - Germany - Hong Kong - India - Israel - Italy - Japan - Malaysia - Malta - Morocco - Philippines - Singapore - Spain - Sweden - Switzerland - United Kingdom - United States of America


www.st.com

Looking for pricing, stock, or lifecycle information?

Click below to explore more details on WIN SOURCE:

-  [View VND5E025ASTR-E on WIN SOURCE](#)
-  [STMicroelectronics](#) Information

Optimize Your Supply Chain with WIN SOURCE Solutions

-  Global Sourcing Solution
-  Obsolete Management
-  Cost Control Management
-  Shortage Management
-  Alternative Solution
-  Excess Inventory Management