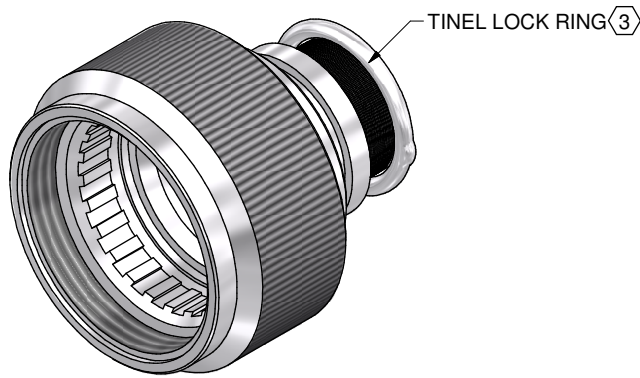


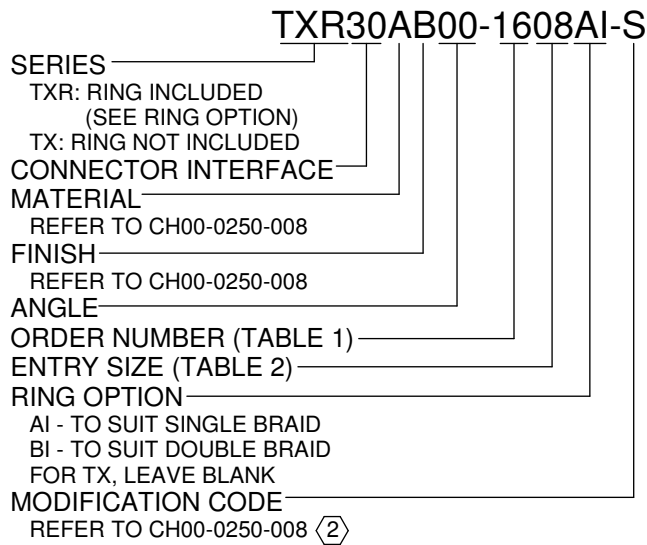


**THE DATASHEET OF
TXR30AB00-2222AI2-CS2472**





CODE 30 - TINEL-LOCK BACKSHELL

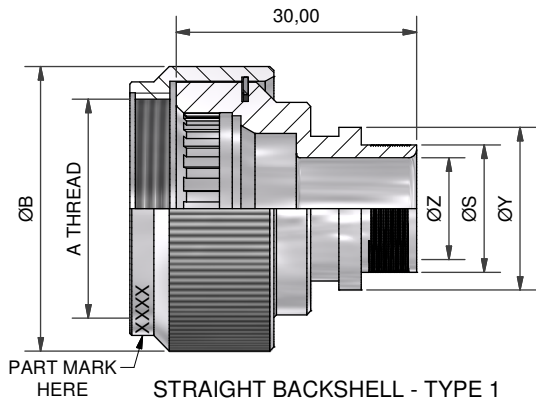


NOTES:

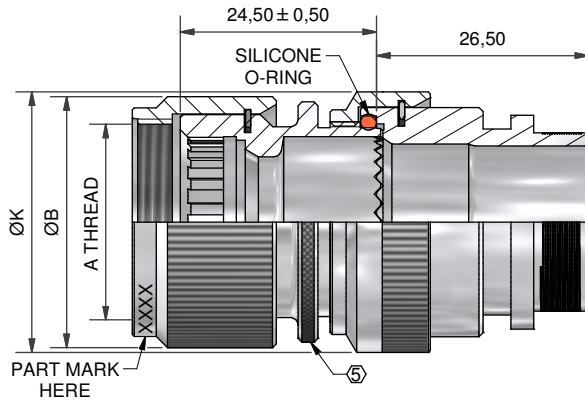
1. THIS PRODUCT IS DESIGNED TO TERMINATE A BRAIDED CABLE SHIELD AND A HEAT SHRINKABLE LIPPED BOOT TO A CONNECTOR.
- (2) FOR ADDITIONAL DIMENSIONS, ORDERING INFORMATION AND MODIFICATIONS, SEE CH00-0250-008.
- (3) SEE DRAWING TR FOR DETAIL ON TINEL-LOCK RING, RINGS ARE DESIGNED TO BE HEATED ELECTRICALLY, ALL RINGS ARE MARKED WITH THERMOCHROMIC PAINT WHICH CHANGES COLOUR WHEN INSTALLATION TEMPERATURE IS REACHED.
4. BACKSHELL TO BE PERMANENTLY MARKED/BAGGED AND LABELLED WITH CODE IDENTIFICATION NUMBER AND PART NUMBER LESS RING DESIGNATOR. (e.g. 06090-TXR30AB00-1206). RING SHALL BEAR NO MARKING.
- (5) FOR LARGER ENTRY SIZES, A 2 PIECE BACKSHELL ASSEMBLY (TYPE 2) IS SUPPLIED.
6. BACKSHELL MATES TO MIL-C-28840, M28840/10, /11, /14 & /16
- (7) THESE DIMENSIONS APPLY IF A SELF-LOCKING COUPLING NUT IS USED.

DRAWN	K.WINCZURA	DATE 15/12/2014		3RD ANGLE PROJECTION NOT TO SCALE	TITLE:	<h1>TINEL LOCK BACKSHELL</h1>		
CHECKED		15/12/2014						
APPROVED	K.SHEPPARD	16/12/2014	UNLESS OTHERWISE SPECIFIED ALL DIMENSIONS IN MILLIMETRES GENERAL TOL LINEAR +/-0.25MM ANGULAR +/- 1°		ASSY USED ON:			
APPROVED	H.SMITH	01/10/2015			MIL-DTL-28840			
REVISIONS								
LTR	DESCRIPTION	DATE	APPROVED					
F	REVISED PER ECO-15-002400	18/02/2015	H.SMITH					
G	REVISED PER ECO-15-013980	01/10/2015	H.SMITH					
TE CAGE CODE: 06090 POLAMCO/TE CAGE CODE: U5792					TE CONNECTIVITY - POLAMCO LTD RESERVES THE RIGHT TO AMEND THIS DRAWING AND THE INFORMATION SET FORTH HEREON AT ANY TIME. USERS SHOULD INDEPENDENTLY EVALUATE THE SUITABILITY OF THE PRODUCT FOR THEIR APPLICATION.	DRAWING NO: TXR30	DRAWING REV: G	SHT 1

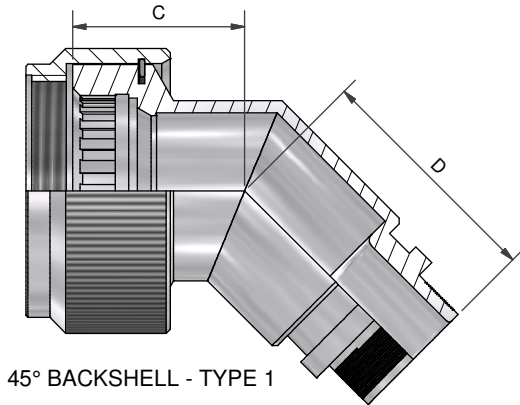
IF MAX ENTRY IS EXCEEDED BACKSHELL
WILL BE SUPPLIED AS TYPE 2



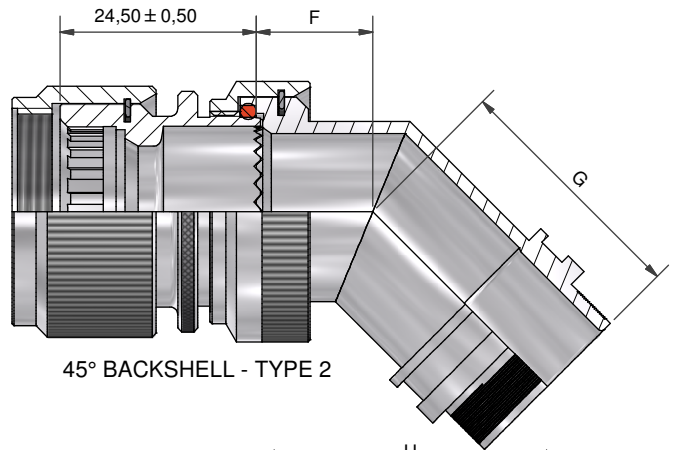
STRAIGHT BACKSHELL - TYPE 1



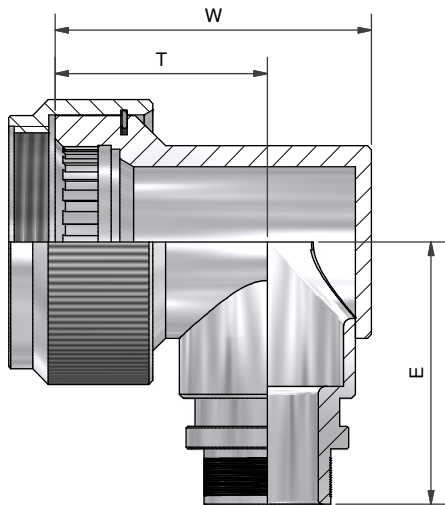
STRAIGHT BACKSHELL - TYPE 2



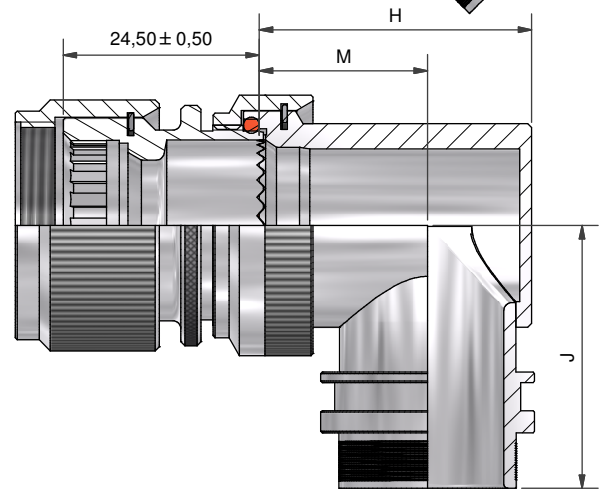
45° BACKSHELL - TYPE 1



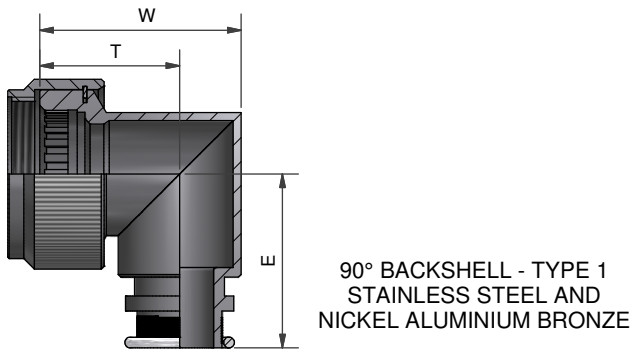
45° BACKSHELL - TYPE 2



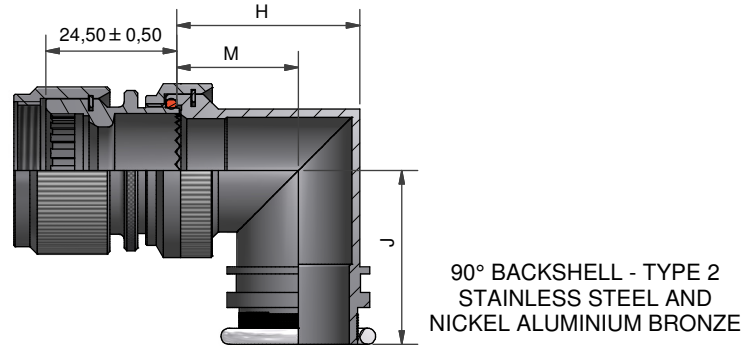
90° BACKSHELL - TYPE 1



90° BACKSHELL - TYPE 2



90° BACKSHELL - TYPE 1
STAINLESS STEEL AND
NICKEL ALUMINIUM BRONZE



90° BACKSHELL - TYPE 2
STAINLESS STEEL AND
NICKEL ALUMINIUM BRONZE

DRAWN	K.WINCZURA	DATE	15/12/2014
CHECKED		DATE	15/12/2014
APPROVED	K.SHEPPARD	DATE	16/12/2014
APPROVED	H.SMITH	DATE	01/10/2015
REVISIONS			
LTR	DESCRIPTION	DATE	APPROVED
F	REVISED PER ECO-15-002400	18/02/2015	H.SMITH
G	REVISED PER ECO-15-013980	01/10/2015	H.SMITH

3RD ANGLE
PROJECTION
NOT TO
SCALE

UNLESS OTHERWISE SPECIFIED
ALL DIMENSIONS IN MILLIMETRES
GENERAL TOL
LINEAR +/-0.25MM
ANGULAR +/- 1°

TITLE:

TINEL LOCK BACKSHELL

ASSY USED ON:

MIL-DTL-28840

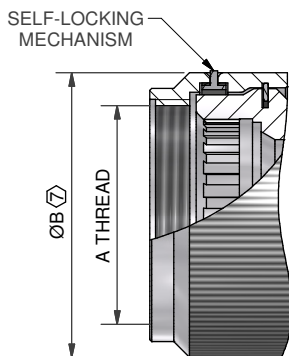


TE CAGE CODE: 06090
POLAMCO/TE CAGE CODE: U5792

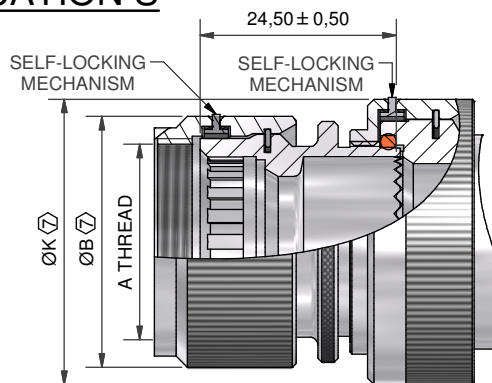
TE CONNECTIVITY - POLAMCO LTD RESERVES THE RIGHT TO AMEND THIS DRAWING AND THE INFORMATION SET FORTH HEREON AT ANY TIME. USERS SHOULD INDEPENDENTLY EVALUATE THE SUITABILITY OF THE PRODUCT FOR THEIR APPLICATION.

DRAWING NO:	DRAWING REV:	SHT
TXR30	G	2

MODIFICATION S



BACKSHELL - TYPE 1



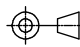
BACKSHELL - TYPE 2

TABLE 1

ORDER NUMBER	SHELL SIZE 6 COM'L / MIL	A THREAD	ØB MAX	MAX ENTRY	C ±0,5	D ±0,5	W ±0,5	T ±0,5	E ±0,5	THESE DIMENSIONS APPLY IF BACKSHELL IS STAINLESS STEEL OR NICKEL ALUMINIUM BRONZE		
										W ±0,5	T ±0,5	E ±0,5
10	11 / A	3/4 - 20UNEF	26,5	05	19,7	27,5	31,2	22,4	27,95	29,6	22,4	28,2
12	13 / B	7/8 - 20UNEF	29,7	08	20,8	28,0	34,3	23,3	29,45	32,3	23,3	29,7
14	15 / C	1 - 20UNEF	31,3	10	21,5	29,0	36,7	24,2	31,00	34,4	24,2	31,2
16	17 / D	1 1/8 - 18 UNEF	35,5	12	21,5	29,7	39,5	26,2	32,70	37,7	26,2	32,9
18	19 / E	1 1/4 - 18UNEF	38,7	14	22,0	30,5	42,8	25,3	34,25	38,6	25,3	34,5
22	23 / F	1 7/16 -18UNEF	43,6	16	22,6	31,1	48,2	28,2	37,40	44,4	28,2	37,6
24	25 / G	1 9/16 -18UNEF	47,2	18	23,6	32,1	51,0	31,5	38,90	48,9	31,5	39,1
28	29 / H	1 7/8 - 16UN	55,2	22	25,7	35,3	60,3	37,0	45,30	57,0	37,0	45,3
32	33 / J	2 1/16 -16UN	60,5	24	26,7	38,1	63,4	38,5	47,80	60,5	38,5	47,8

TABLE 2

ENTRY SIZE	ØZ MIN	ØS	ØY ± 0,3	ØK MAX	ØK MAX (Z)	F ±0,5	G ±0,5	H ±0,5	M ±0,5	J ±0,5	THESE DIMENSIONS APPLY IF BACKSHELL IS STAINLESS STEEL OR NICKEL ALUMINIUM BRONZE		
											H ±0,5	M ±0,5	J ±0,5
04	6,35	9,49 +/-0,04	14,00	NA	NA	NA	NA	NA	NA	NA	NA	NA	NA
05	7,92	11,06 +/-0,04	15,50	NA	NA	NA	NA	NA	NA	NA	NA	NA	NA
06	9,53	12,66 +/-0,04	17,10	21,0	24,6	12,5	27,5	24,0	15,5	27,95	24,3	17,2	28,2
07	11,10	14,21 +/-0,07	18,70	21,0	24,6	12,5	27,5	24,0	15,5	27,95	24,3	17,2	28,2
08	12,70	15,81 +/-0,07	20,30	24,5	28,3	13,1	28,0	27,0	17,0	29,45	28,3	19,4	29,7
10	15,88	18,96 +/-0,08	23,50	29,0	32,4	13,5	29,0	31,0	19,5	31,00	31,1	21,0	31,2
12	19,05	22,14 +/-0,08	26,70	32,5	35,6	14,5	29,7	34,0	21,0	32,70	34,2	22,8	32,9
14	22,23	25,30 +/-0,08	29,80	35,5	38,5	15,5	30,5	35,0	20,0	34,25	38,5	25,3	34,5
16	25,40	28,48 +/-0,08	33,00	37,0	41,7	16,1	30,9	38,0	21,5	35,80	40,7	26,1	36,1
18	28,58	31,65 +/-0,08	36,20	40,0	43,9	16,5	31,1	42,0	24,0	37,40	43,7	27,6	37,6
20	31,75	34,83 +/-0,08	39,40	43,5	47,0	17,0	32,1	45,0	25,5	38,90	46,4	29,1	39,1
22	34,93	37,98 +/-0,08	42,50	48,5	50,0	18,5	35,3	54,5	31,0	42,00	50,0	31,0	42,0
24	38,10	41,15 +/-0,08	45,70	52,1	56,0	21,9	38,1	58,0	33,0	46,00	53,5	33,0	46,0

DRAWN	K.WINCZURA	DATE	15/12/2014	 3RD ANGLE PROJECTION NOT TO SCALE UNLESS OTHERWISE SPECIFIED ALL DIMENSIONS IN MILLIMETRES GENERAL TOL LINEAR +/-0,25MM ANGULAR +/- 1°
CHECKED		DATE	15/12/2014	
APPROVED	K.SHEPPARD	DATE	16/12/2014	
APPROVED	H.SMITH	DATE	01/10/2015	

TITLE:
TINEL LOCK BACKSHELL

ASSY USED ON:
MIL-DTL-28840





REVISIONS			
LTR	DESCRIPTION	DATE	APPROVED
F	REVISED PER ECO-15-002400	18/02/2015	H.SMITH
G	REVISED PER ECO-15-013980	01/10/2015	H.SMITH

TE CAGE CODE: 06090
POLAMCO/TE CAGE CODE: U5792

Looking for pricing, stock, or lifecycle information?

Click below to explore more details on WIN SOURCE:

-  [View TXR30AB00-2222AI2-CS2472 on WIN SOURCE](#)
-  [TE Connectivity Information](#)

Optimize Your Supply Chain with WIN SOURCE Solutions

-  Global Sourcing Solution
-  Obsolete Management
-  Cost Control Management
-  Shortage Management
-  Alternative Solution
-  Excess Inventory Management