



THE DATASHEET OF
1825059-5

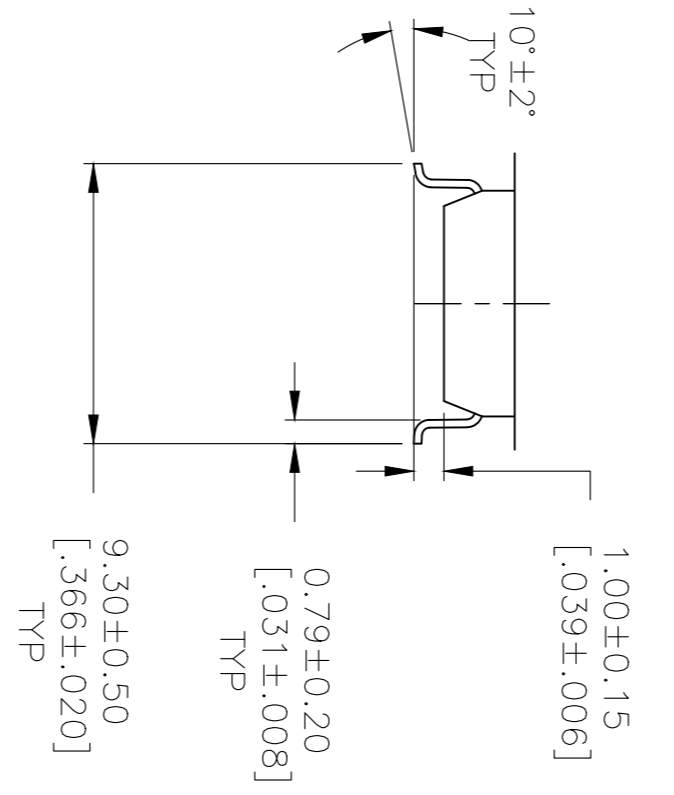


REVISIONS				
P	LR	DESCRIPTION	DATE	DWN / AP'D
-	-	SEE SHEET 1	-	-

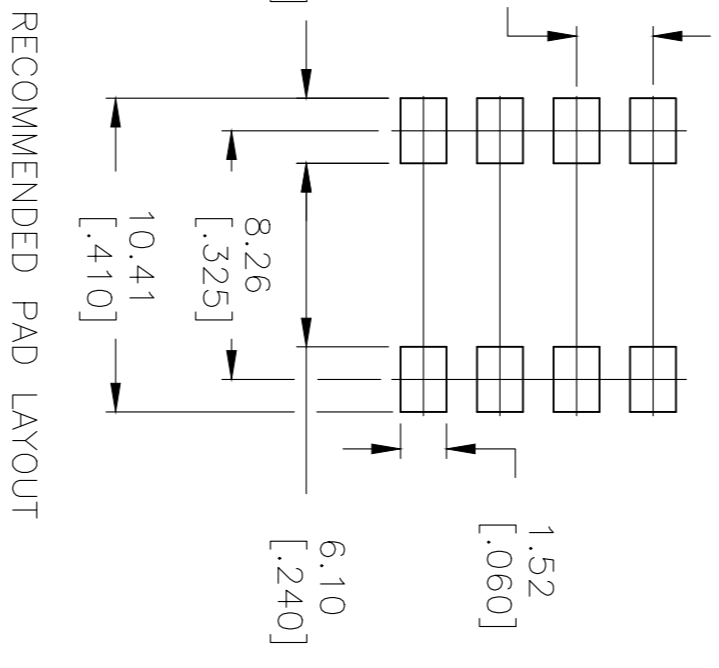
3

2

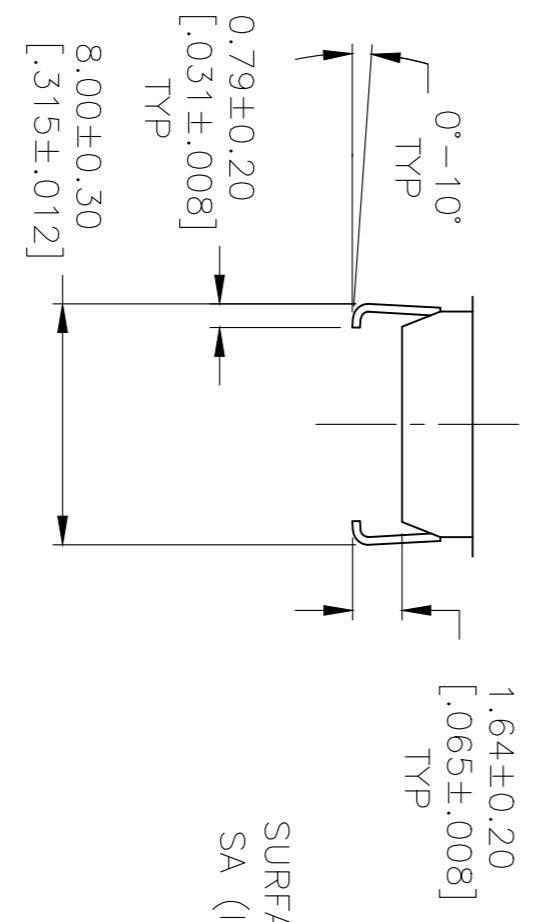
1



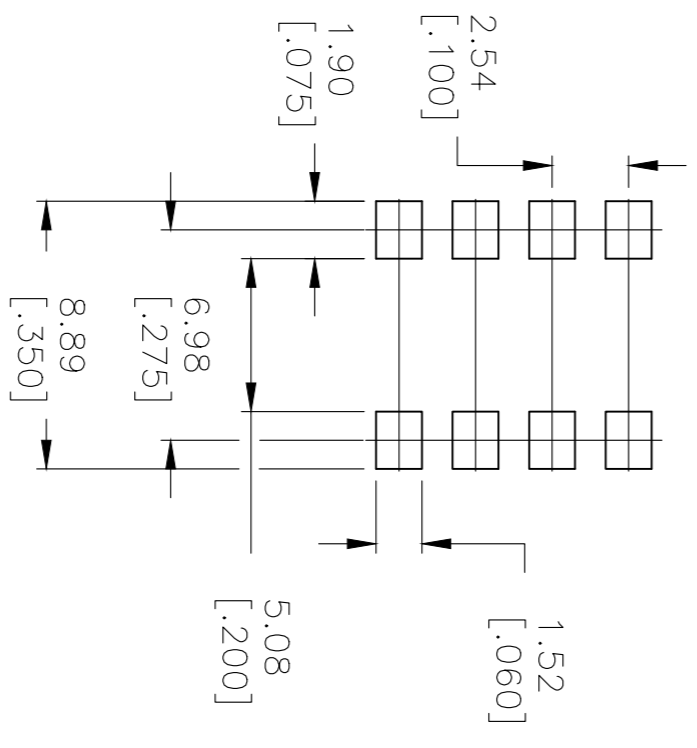
SURFACE MOUNT S (OUTSIDE "L")



RECOMMENDED PAD LAYOUT

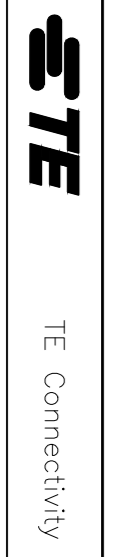


SURFACE MOUNT SA (INSIDE "L")



RECOMMENDED PAD LAYOUT

THIS DRAWING IS A CONTROLLED DOCUMENT.		DWN	B.S.VISWESWARA	11FEB05
DIMENSIONS: mm [INCHES]		CHK	M.SARVFER	-
TOLERANCES: UNLESS OTHERWISE SPECIFIED:		AP'D	M.SARVFER	-
0 PLC	± -	NAME		
1 PLC	± -	DIP SWITCH, ADF-SMT SERIES		
2 PLC	± 0.30 [.012]	SIZE	A2	RESTRICTED TO
3 PLC	± -	CAGE CODE	1825059	
4 PLC	± -	DRAWING NO	1825059	
MATERIAL		APPLICATION SPEC		
FINISH		WEIGHT		
CUSTOMER DRAWING		SCALE	4:1	SHEET 2 of 3
		REV	A6	



1825059

A

B

C

D

Looking for pricing, stock, or lifecycle information?

Click below to explore more details on WIN SOURCE:

[View 1825059-5 on WIN SOURCE](#)

[TE Connectivity Information](#)

Optimize Your Supply Chain with WIN SOURCE Solutions

- ✓ Global Sourcing Solution
- ✓ Obsolete Management
- ✓ Cost Control Management
- ✓ Shortage Management
- ✓ Alternative Solution
- ✓ Excess Inventory Management