



**THE DATASHEET OF  
RJLSE4318101T**



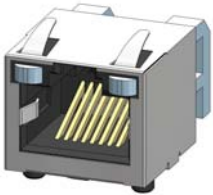
*Now you're connected!*

### About Amphenol Commercial Products

Amphenol's commercial connector products are used in a variety of end user applications including networking, telecom, server & computer, storage & HDD, consumer electronics and entertainment, professional audio & Industrial & Military/Aerospace.

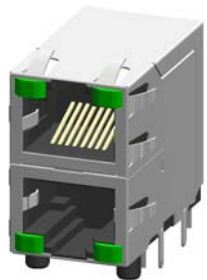
### Related Products

#### RJSSE

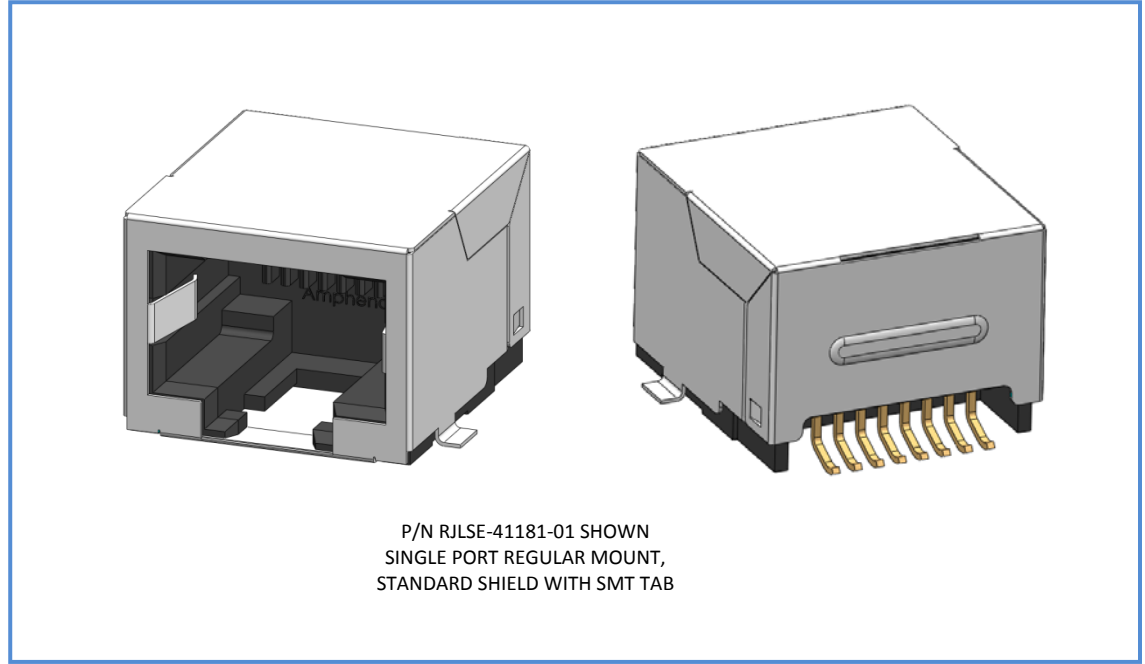


P/N RJSSE-5081 SHOWN  
SINGLE PORT, 8 POSITION,  
WITH SHIELD AND LIGHT PIPE

#### RJSAR



P/N RJSAR-5385-02 SHOWN  
STACKED 2x1, 8 POSITION,  
WITH SHIELD AND LEDs



P/N RJLSE-41181-01 SHOWN  
SINGLE PORT REGULAR MOUNT,  
STANDARD SHIELD WITH SMT TAB

### Overview

This product specification defines the general use and performance parameters for Amphenol's RJLSE series of modular jacks.

Availability: Single, right angle connectors with a variety of shielding options.

### Usage

The RJLSE surface mount modular jacks with superior EMI performance supports Ethernet Protocols. Shielding available for increased EMI performance.

### Applications

Intended for use in applications such as:

#### Networking & Telecom

- Wireless (WiMAX)
- Network servers
- Hubs, routers, switches

#### Office & Home Equipment

- PC's, Laptops, Copiers/Printers
- Telephones, modems
- Surge Protectors
- ATMs, Vending Machines

#### Consumer Goods

- Security Systems
- Set Top Boxes
- Video Game Systems

#### Miscellaneous

- Multi-Media Equipment
- Industrial Equipment
- POS Terminals

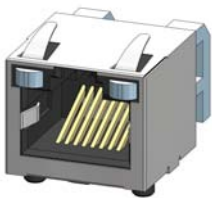
*Now you're connected!*

## About Amphenol Commercial Products

Amphenol's commercial connector products are used in a variety of end user applications including networking, telecom, server & computer, storage & HDD, consumer electronics and entertainment, professional audio & Industrial & Military/Aerospace.

## Related Products

### RJSSE



P/N RJSSE-5081 SHOWN  
SINGLE PORT, 8 POSITION,  
WITH SHIELD AND LIGHT PIPE

### RJSAR



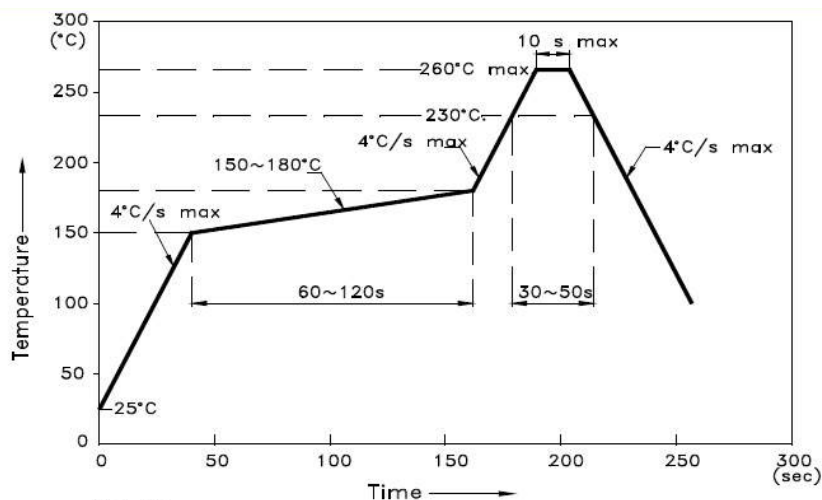
P/N RJSAR-5385-02 SHOWN  
STACKED 2x1, 8 POSITION,  
WITH SHIELD AND LEDS

## Electrical Characteristics

Contact resistance:	20 mΩ max.
Insulation resistance:	500 MΩ minimum at 500V DC for 2 minutes max.
Current rating:	1.5 Amps
Voltage rating:	125 Volts AC
DWV:	1000 VAC, 60 Hz. 1 min.

## Mechanical Characteristics

Mating connector insertion force: 5.0 lbs. Maximum.  
 Mating connector pull retention force: 20 lbs Minimum.  
 Durability: 750 mating & unmating cycles  
 Recommended soldering temperature: Lead free reflow soldering up to 260° C for 10 seconds.  
 Refer to recommended reflow profile below. A maximum of three reflow passes are permitted.  
 Refer to J-STD-033 for safe handling procedures for SMD's.



Operating temperature: -55° C to +85° C

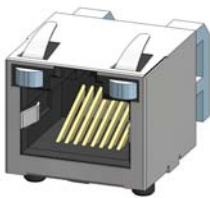
# Now you're connected!

## About Amphenol Commercial Products

Amphenol's commercial connector products are used in a variety of end user applications including networking, telecom, server & computer, storage & HDD, consumer electronics and entertainment, professional audio & Industrial & Military/Aerospace.

## Related Products

### RJSSE



P/N RJSSE-5081 SHOWN  
SINGLE PORT, 8 POSITION,  
WITH SHIELD AND LIGHT PIPE

### RJSAR



P/N RJSAR-5385-02 SHOWN  
STACKED 2x1, 8 POSITION,  
WITH SHIELD AND LEDS

## Material Requirements

RJLSE connectors are RoHS compliant.

Unless otherwise specified, the materials for each component shall be:

### Insulator:

- High Temp thermoplastic. Complies with UL 94V-0, Black is standard but other color options are available.

### Contacts:

- Phosphor Bronze hard temper with gold thickness options (6 $\mu$ "", 15 $\mu$ "", 30 $\mu$ "", 50 $\mu$ "") over 50 $\mu$ " minimum Nickel on contact mating area. Gold flash over palladium nickel is also available.
- 100 $\mu$ " minimum matte tin plating on soldering tail

### Shield:

- Copper alloy; Nickel or matte tin plated

## Available Documents

### Drawing Numbers:

P-RJLSE-4X1XX-02  
P-RJLSE-4X2XX-01  
P-RJLSE-6X0XX-01X

8 Position, Contact options, with shield, gold plating and housing options  
8 Position, Contact options, without shield, with hold down bracket and tray packaging  
6 Position, Contact options, without shield, with gold plating and packaging options

Contact factory or Authorized Amphenol representative for additional configurations

## Looking for pricing, stock, or lifecycle information?

Click below to explore more details on WIN SOURCE:

- ⊖ [View RJLSE4318101T on WIN SOURCE](#)
- ⊖ [Amphenol Commercial Products Information](#)

## Optimize Your Supply Chain with WIN SOURCE Solutions

- ✓ Global Sourcing Solution
- ✓ Obsolete Management
- ✓ Cost Control Management
- ✓ Shortage Management
- ✓ Alternative Solution
- ✓ Excess Inventory Management