



**THE DATASHEET OF
TPS3106E09DBVTG4**



TPS31xx

Ultralow Supply-Current Voltage Monitor With Optional Watchdog

1 Features

- Precision Supply Voltage Supervision Range: 0.9 V, 1.2 V, 1.5 V, 1.6 V, 2 V, and 3.3 V
- High Trip-Point Accuracy: 0.75%
- Supply Current of 1.2 μ A (Typical)
- $\overline{\text{RESET}}$ Defined With Input Voltages as Low as 0.4 V
- Power-On Reset Generator With a Delay Time of 130 ms
- Push/Pull or Open-Drain $\overline{\text{RESET}}$ Outputs
- Package Temperature Range: -40°C to 125°C

2 Applications

- Applications Using Low-Power DSPs, Microcontrollers, or Microprocessors
- Portable and Battery-Powered Equipment
- Intelligent Instruments
- Wireless Communication Systems
- Industrial Equipment
- Notebook and Desktop Computers

3 Description

The TPS310x and TPS311x families of supervisory circuits provide circuit initialization and timing supervision, primarily for DSP and processor-based systems.

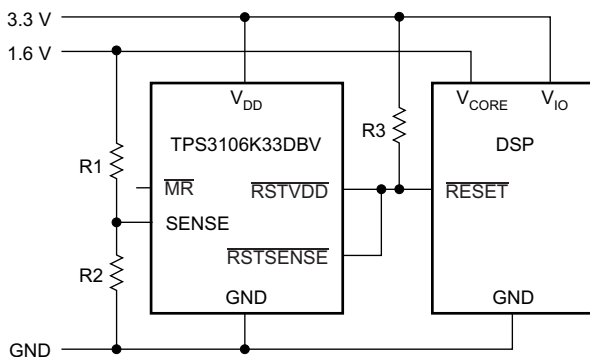
During power-on, $\overline{\text{RESET}}$ is asserted low when the supply voltage (V_{DD}) becomes higher than 0.4 V. Thereafter, the supervisory circuit monitors V_{DD} and keeps the $\overline{\text{RESET}}$ output low as long as V_{DD} remains below the threshold voltage ($V_{\text{IT-}}$). To ensure proper system reset, after V_{DD} surpasses the threshold voltage, an internal timer delays the transition of the $\overline{\text{RESET}}$ signal from low to high for the specified time. When V_{DD} drops below $V_{\text{IT-}}$, the output transitions low again.

All the devices of this family have a fixed-sense threshold voltage ($V_{\text{IT-}}$) set by an internal voltage divider.

The TPS3103 and TPS3106 devices have an active-low, open-drain $\overline{\text{RESET}}$ output and either an integrated power-fail input (PFI) or SENSE input with corresponding outputs for monitoring other voltages. The TPS3110 has an active-low push/pull $\overline{\text{RESET}}$ and a watchdog timer to monitor the operation of microprocessors. All three devices have a manual reset pin that can be used to force the outputs low regardless of the sensed voltages.

The product spectrum is designed for supply voltages of 0.9 V up to 3.6 V. The circuits are available in 6-pin SOT-23 packages. The TPS31xx family is characterized for operation over a temperature range of -40°C to 125°C .

Typical Application Schematic



Device Information⁽¹⁾

| PART NUMBER | PACKAGE | BODY SIZE (NOM) |
|-------------|------------|-------------------|
| TPS3103xxx | SOT-23 (6) | 2.90 mm x 1.60 mm |
| TPS3106xxx | | |
| TPS3110xxx | | |

(1) For all available packages, see the orderable addendum at the end of the data sheet.



Table of Contents

| | | | |
|--|-----------|--|-----------|
| 1 Features | 1 | 8.3 Feature Description | 15 |
| 2 Applications | 1 | 8.4 Device Functional Modes | 17 |
| 3 Description | 1 | 9 Application and Implementation | 18 |
| 4 Revision History | 2 | 9.1 Application Information | 18 |
| 5 Available Options | 4 | 9.2 Typical Application | 18 |
| 6 Pin Configuration and Functions | 4 | 10 Power Supply Recommendations | 20 |
| 7 Specifications | 5 | 11 Layout | 20 |
| 7.1 Absolute Maximum Ratings | 5 | 11.1 Layout Guidelines | 20 |
| 7.2 ESD Ratings | 5 | 11.2 Layout Example | 20 |
| 7.3 Recommended Operating Conditions | 5 | 12 Device and Documentation Support | 21 |
| 7.4 Thermal Information | 6 | 12.1 Device Support | 21 |
| 7.5 Electrical Characteristics | 6 | 12.2 Related Links | 21 |
| 7.6 Timing Requirements | 8 | 12.3 Receiving Notification of Documentation Updates | 21 |
| 7.7 Switching Characteristics | 8 | 12.4 Community Resources | 22 |
| 7.8 Typical Characteristics | 11 | 12.5 Trademarks | 22 |
| 8 Detailed Description | 13 | 12.6 Electrostatic Discharge Caution | 22 |
| 8.1 Overview | 13 | 12.7 Glossary | 22 |
| 8.2 Functional Block Diagrams | 13 | 13 Mechanical, Packaging, and Orderable Information | 22 |

4 Revision History

Changes from Revision F (November 2015) to Revision G

Page

| | |
|---|-----------|
| • Changed Package Temperature Range Features bullet to extend to 125°C | 1 |
| • Changed supply voltage and temperature range in last paragraph of <i>Description</i> section | 1 |
| • Changed maximum specifications in <i>Supply voltage</i> , <i>All other pins</i> , and <i>Operating temperature</i> parameters in <i>Absolute Maximum Ratings</i> table | 5 |
| • Changed maximum specifications in V_{DD} , PFI, and T_J parameters of <i>Recommended Operating Conditions</i> table | 5 |
| • Added $T_A = -40^{\circ}\text{C}$ to 125°C rows to V_{IT-} parameter of <i>Electrical Characteristics</i> table | 6 |
| • Added second row to $V_{IT-(S)}$ parameter of <i>Electrical Characteristics</i> table | 6 |
| • Changed I_{DD} parameter of <i>Electrical Characteristics</i> table | 7 |
| • Changed Typical Characteristics curves <i>TPS3110E09 Supply Current vs Supply Voltage</i> , <i>TPS3110E09 Low-Level Output Voltage vs Low-Level Output Current</i> , <i>TPS3110E09 Low-Level Output Voltage vs Low-Level Output Current</i> , <i>TPS3110E09 High-Level Output Voltage vs High-Level Output Current</i> , and <i>TPS3110K33 High-Level Output Voltage vs High-Level Output Current</i> | 11 |
| • Changed <i>Normalized Threshold Voltage vs Free-Air Temperature</i> curve | 12 |
| • Changed supply voltage range in first sentence of <i>Overview</i> section | 13 |
| • Changed supply voltage range in description of <i>Application Information</i> section | 18 |
| • Changed <i>Normalized Threshold Voltage vs Free-Air Temperature</i> figure | 19 |
| • Changed supply voltage range in first sentence of <i>Power Supply Recommendations</i> section | 20 |

Changes from Revision E (September 2007) to Revision F

Page

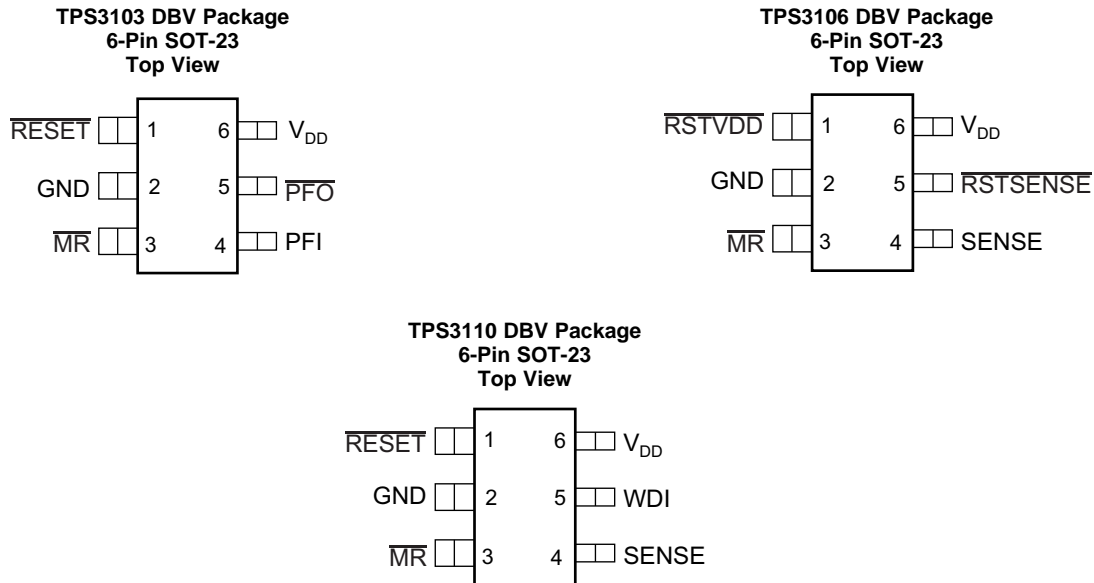
| | |
|--|----------|
| • Added <i>ESD Ratings</i> table, <i>Feature Description</i> section, <i>Device Functional Modes</i> , <i>Application and Implementation</i> section, <i>Power Supply Recommendations</i> section, <i>Layout</i> section, <i>Device and Documentation Support</i> section, and <i>Mechanical, Packaging, and Orderable Information</i> section | 1 |
| • Changed title of document | 1 |
| • Deleted <i>Features</i> bullet for SOT23-6 package | 1 |
| • Changed front-page figure | 1 |
| • Changed second paragraph of <i>Description</i> section | 1 |

- Changed fourth paragraph of *Description* section 1
- Changed *Pin Configuration and Functions* section; updated table format 4
- Changed "free-air temperature" to "junction temperature" in *Absolute Maximum Ratings* condition statement 5
- Deleted *clamp current* from *Absolute Maximum Ratings* table; changed to *current* 5
- Deleted soldering temperature specification from *Absolute Maximum Ratings* table 5
- Changed "free-air temperature" to "junction temperature" in *Recommended Operating Conditions* condition statement 5
- Added *Thermal Information* table; deleted *Dissipation Ratings* table 6
- Changed "free-air temperature" to "junction temperature" in *Electrical Characteristics* condition statement 6
- Changed "free-air temperature" to "junction temperature" in *Electrical Characteristics* condition statement 7
- Changed *Switching Characteristics* table 8
- Changed [Figure 1](#) title and timing drawing 8
- Changed [Figure 2](#) title 9
- Changed [Figure 3](#) 9
- Changed [Figure 4](#) 10

5 Available Options

| DEVICE | $\overline{\text{RESET}}$ OUTPUT | $\overline{\text{RSTSENSE}}$, $\overline{\text{RSTVDD}}$ OUTPUT | SENSE INPUT | WDI INPUT | $\overline{\text{PFO}}$ OUTPUT |
|---------|----------------------------------|--|-------------|-----------|--------------------------------|
| TPS3103 | Open-drain | | | | Open-drain |
| TPS3106 | | Open-drain | ✓ | | |
| TPS3110 | Push-pull | | ✓ | ✓ | |

6 Pin Configuration and Functions



Pin Functions

| NAME | PIN | | | I/O | DESCRIPTION |
|------------------------------|---------|---------|---------|-----|--|
| | TPS3103 | TPS3106 | TPS3110 | | |
| GND | 2 | 2 | 2 | — | GND |
| $\overline{\text{MR}}$ | 3 | 3 | 3 | I | Manual-reset input. Pull low to force a reset. $\overline{\text{RESET}}$ remains low as long as $\overline{\text{MR}}$ is low and for the time-out period after $\overline{\text{MR}}$ goes high. Leave unconnected or connect to V_{DD} when unused. |
| PFI | 4 | — | — | I | Power-fail input compares to 0.551 V with no additional delay. Connect to V_{DD} if not used. |
| $\overline{\text{PFO}}$ | 5 | — | — | O | Power-fail output. Goes high when voltage at PFI rises above 0.551 V. |
| $\overline{\text{RESET}}$ | 1 | — | 1 | O | Active-low reset output. Either push-pull or open-drain output stage. |
| $\overline{\text{RSTSENSE}}$ | — | 5 | — | O | Active-low reset output. Logic level at $\overline{\text{RSTSENSE}}$ only depends on the voltage at SENSE and the status of $\overline{\text{MR}}$. |
| $\overline{\text{RSTVDD}}$ | — | 1 | — | O | Active-low reset output. Logic level at $\overline{\text{RSTVDD}}$ only depends on the voltage at V_{DD} and the status of $\overline{\text{MR}}$. |
| SENSE | — | 4 | 4 | I | A reset is asserted if the voltage at SENSE is lower than 0.551 V. Connect to V_{DD} if unused. |
| V_{DD} | 6 | 6 | 6 | I | Supply voltage. Powers the device and monitors its own voltage. |
| WDI | — | — | 5 | I | Watchdog timer input. If WDI remains high or low longer than the time-out period, then reset is triggered. The timer clears when reset is asserted or when WDI sees a rising edge or a falling edge. |

7 Specifications

7.1 Absolute Maximum Ratings

over operating junction temperature range (unless otherwise noted)⁽¹⁾

| | | MIN | MAX | UNIT |
|---|---|---|----------------|------|
| Supply voltage ⁽²⁾ | V_{DD} | -0.3 | 4 | V |
| \overline{MR} Pin, \overline{RESET} (push-pull) | V_{MR}, V_{RESET} (push-pull) | -0.3 | $V_{DD} + 0.3$ | V |
| All other pins ⁽²⁾ | | -0.3 | 4 | V |
| Maximum low output current | I_{OL} | -5 | 5 | mA |
| Maximum high output current | I_{OH} | -5 | 5 | mA |
| Input current | I_{IK} ($V_{SENSE} < 0$ V or $V_{SENSE} > V_{DD}$) | -10 | 10 | mA |
| Output current | I_{OK} ($V_O < 0$ V or $V_O > V_{DD}$) ⁽³⁾ | -10 | 10 | mA |
| Continuous total power dissipation | | See Thermal Information | | |
| Temperature | Operating, T_J | -40 | 125 | °C |
| | Storage, T_{stg} | -65 | 150 | °C |

- (1) Stresses beyond those listed under *Absolute Maximum Ratings* may cause permanent damage to the device. These are stress ratings only, which do not imply functional operation of the device at these or any other conditions beyond those indicated under *Recommended Operating Conditions*. Exposure to absolute-maximum-rated conditions for extended periods may affect device reliability.
- (2) All voltage values are with respect to GND. For reliable operation, the device must not be operated at 3.6 V for more than $t = 1000$ h continuously.
- (3) Output is clamped for push-pull outputs by the back gate diodes internal to the IC. No clamp exists for the open-drain outputs.

7.2 ESD Ratings

| | | VALUE | UNIT |
|-------------------------------------|--|-------|------|
| $V_{(ESD)}$ Electrostatic discharge | Human body model (HBM), per ANSI/ESDA/JEDEC JS-001, all pins ⁽¹⁾ | ±2000 | V |
| | Charged device model (CDM), per JEDEC specification JESD22-C101, all pins ⁽²⁾ | ±500 | |

- (1) JEDEC document JEP155 states that 500-V HBM allows safe manufacturing with a standard ESD control process.
- (2) JEDEC document JEP157 states that 250-V CDM allows safe manufacturing with a standard ESD control process.

7.3 Recommended Operating Conditions

over operating junction temperature range, unless otherwise noted.

| | | MIN | NOM | MAX | UNIT |
|-------------------------|---|---------------------|-----|---------------------|------|
| V_{DD} ⁽¹⁾ | Supply voltage | 0.9 | | 3.6 | V |
| V_{SENSE} | SENSE voltage | 0 | | V_{DD} | V |
| WDI | High-level input voltage V_{IH} at \overline{MR} | $0.7 \times V_{DD}$ | | | V |
| WDI | Low-level input voltage V_{IL} at \overline{MR} | | | $0.3 \times V_{DD}$ | V |
| WDI | Input transition rise and fall rate at $\Delta t/\Delta V$ at \overline{MR} | | | 100 | ns/V |
| \overline{MR} | \overline{MR} voltage | 0 | | V_{DD} | V |
| PFI | PFI voltage | 0 | | 3.6 | V |
| T_J | Operating temperature | -40 | | 125 | °C |

- (1) For proper operation of SENSE, PFI, and WDI functions: $V_{DD} \geq 0.8$ V.

7.4 Thermal Information

| THERMAL METRIC ⁽¹⁾ | | TPS31xx | UNIT |
|-------------------------------|--|--------------|------|
| | | DBV (SOT-23) | |
| | | 6 PINS | |
| R _{θJA} | Junction-to-ambient thermal resistance | 183.2 | °C/W |
| R _{θJC(top)} | Junction-to-case (top) thermal resistance | 123.3 | °C/W |
| R _{θJB} | Junction-to-board thermal resistance | 29.4 | °C/W |
| ψ _{JT} | Junction-to-top characterization parameter | 20.5 | °C/W |
| ψ _{JB} | Junction-to-board characterization parameter | 29 | °C/W |

(1) For more information about traditional and new thermal metrics, see the *Semiconductor and IC Package Thermal Metrics* application report, [SPRA953](#).

7.5 Electrical Characteristics

over operating junction temperature range (unless otherwise noted).

| PARAMETER | | TEST CONDITIONS | MIN | TYP | MAX | UNIT | | |
|---------------------|--|--|---|---------------------------------|--------|-------|-----------------------|-------|
| V _{OH} | High-level output voltage | V _{DD} = 3.3 V, I _{OH} = –3 mA | 0.8 × V _{DD} | | | V | | |
| | | V _{DD} = 1.8 V, I _{OH} = –2 mA | | | | | | |
| | | V _{DD} = 1.5 V, I _{OH} = –1 mA | | | | | | |
| | | V _{DD} = 0.9 V, I _{OH} = –0.4 mA | | | | | | |
| | | V _{DD} = 0.5 V, I _{OH} = –5 μA | | | | | 0.7 × V _{DD} | |
| V _{OL} | Low-level output voltage | V _{DD} = 3.3 V, I _{OL} = 3 mA | | | 0.3 | V | | |
| | | V _{DD} = 1.5 V, I _{OL} = 2 mA | | | | | | |
| | | V _{DD} = 1.2 V, I _{OL} = 1 mA | | | | | | |
| | | V _{DD} = 0.9 V, I _{OL} = 500 μA | | | | | | |
| V _{OL} | Low-level output voltage | $\overline{\text{RESET}}$ only | V _{DD} = 0.4 V, I _{OL} = 5 μA | | | 0.1 | V | |
| V _{IT-} | Negative-going input threshold voltage ⁽¹⁾ | TPS31xxE09 | T _A = 25°C | 0.854 | 0.86 | 0.866 | V | |
| | | TPS31xxE12 | | 1.133 | 1.142 | 1.151 | | |
| | | TPS31xxE15 | | 1.423 | 1.434 | 1.445 | | |
| | | TPS31xxE16 | | 1.512 | 1.523 | 1.534 | | |
| | | TPS31xxH20 | | 1.829 | 1.843 | 1.857 | | |
| | | TPS31xxK33 | | 2.919 | 2.941 | 2.963 | | |
| | | TPS31xxE09 | | T _A = –40°C to 125°C | 0.817 | | | 0.903 |
| | | TPS31xxE12 | | | 1.084 | | | 1.199 |
| | | TPS31xxE15 | | | 1.362 | | | 1.505 |
| | | TPS31xxK33 | | | 2.823 | | | 3.058 |
| V _{IT-(S)} | Negative-going input threshold voltage ⁽¹⁾ | SENSE, PFI | V _{DD} ≥ 0.8 V, T _A = 25°C | 0.542 | 0.551 | 0.559 | V | |
| | | | V _{DD} ≥ 0.8 V, T _A = –40°C to 125°C | 0.5 | | 0.58 | | |
| V _{HYS} | Hysteresis at V _{DD} input | | 0.8 V ≤ V _{IT-} < 1.5 V | | 20 | mV | | |
| | | | 1.6 V ≤ V _{IT-} < 2.4 V | | 30 | | | |
| | | | 2.5 V ≤ V _{IT-} < 3.3 V | | 50 | | | |
| T _(K) | Temperature coefficient of V _{IT-} , PFI, SENSE | T _A = –40°C to 85°C | | –0.012 | –0.019 | %/K | | |
| V _{HYS(S)} | Hysteresis at SENSE, PFI input | V _{DD} ≥ 0.8 V | | 15 | | mV | | |
| I _{IH} | High-level input current | $\overline{\text{MR}}$ | $\overline{\text{MR}} = V_{DD}$, V _{DD} = 3.3 V | –25 | | 25 | nA | |
| | | SENSE, PFI, WDI | SENSE, PFI, WDI = V _{DD} , V _{DD} = 3.3 V | –25 | | 25 | | |

(1) To ensure the best stability of the threshold voltage, a bypass capacitor (ceramic, 0.1 μF) should be placed close to the supply terminals.

Electrical Characteristics (continued)

over operating junction temperature range (unless otherwise noted).

| PARAMETER | | TEST CONDITIONS | MIN | TYP | MAX | UNIT | |
|---|--|-----------------------------------|--|-----|-----|------|----|
| I _{IL} | Low-level input current | \overline{MR} | $\overline{MR} = 0\text{ V}$, $V_{DD} = 3.3\text{ V}$ | -47 | -33 | -25 | μA |
| | | SENSE, PFI, WDI | SENSE, PFI, WDI = 0 V, $V_{DD} = 3.3\text{ V}$ | -25 | | 25 | nA |
| I _{OH} | High-level output current at RESET ⁽²⁾ | Open-drain | $V_{DD} = V_{IT-} + 0.2\text{ V}$, $V_{OH} = 3.3\text{ V}$ | | | 200 | nA |
| I _{DD} | Supply current | | $T_A = -40^\circ\text{C}$ to 85°C , $V_{DD} > V_{IT-}$ (average current), $V_{DD} < 1.8\text{ V}$ | | 1.2 | 3 | μA |
| | | | $T_A = -40^\circ\text{C}$ to 125°C , $V_{DD} > V_{IT-}$ (average current), $V_{DD} < 1.8\text{ V}$ | | | 3 | |
| | | | $T_A = -40^\circ\text{C}$ to 85°C , $V_{DD} > V_{IT-}$ (average current), $V_{DD} > 1.8\text{ V}$ | | 2 | 4.5 | |
| | | | $T_A = -40^\circ\text{C}$ to 125°C , $V_{DD} > V_{IT-}$ (average current), $V_{DD} > 1.8\text{ V}$ | | | 5.5 | |
| | | | $T_A = -40^\circ\text{C}$ to 85°C , $V_{DD} < V_{IT-}$, $V_{DD} < 1.8\text{ V}$ | | | 22 | |
| | | | $T_A = -40^\circ\text{C}$ to 125°C , $V_{DD} < V_{IT-}$, $V_{DD} < 1.8\text{ V}$ | | | 27 | |
| | | | $T_A = -40^\circ\text{C}$ to 85°C , $V_{DD} < V_{IT-}$, $V_{DD} > 1.8\text{ V}$ | | | 27 | |
| | | | $T_A = -40^\circ\text{C}$ to 125°C , $V_{DD} < V_{IT-}$, $V_{DD} > 1.8\text{ V}$ | | | 32 | |
| Internal pullup resistor at \overline{MR} | | | 70 | 100 | 130 | kΩ | |
| C _{IN} | Input capacitance at \overline{MR} , SENSE, PFI, WDI | $V_{IN} = 0\text{ V}$ to V_{DD} | | 1 | | pF | |

 (2) Also refers to \overline{RSTVDD} and $\overline{RSTSENSE}$.

7.6 Timing Requirements

At $R_L = 1\text{ M}\Omega$, $C_L = 50\text{ pF}$, and $T_A = -40^\circ\text{C}$ to 85°C , unless otherwise noted.

| | | | | MIN | TYP | MAX | UNIT |
|--------------|-----------------|---------------------------|---|------|-----|------|---------------|
| $t_{T(OUT)}$ | Time-out period | at WDI | $V_{DD} \geq 0.85\text{ V}$ | 0.55 | 1.1 | 1.65 | s |
| t_W | Pulse duration | at V_{DD} | $V_{IH} = 1.1 \times V_{IT-}$, $V_{IL} = 0.9 \times V_{IT-}$, $V_{IT-} = 0.86\text{ V}$ | 20 | | | μs |
| | | at $\overline{\text{MR}}$ | $V_{DD} \geq V_{IT-} + 0.2\text{ V}$, $V_{IL} = 0.3 \times V_{DD}$, $V_{IH} = 0.7 \times V_{DD}$ | 0.1 | | | |
| | | at SENSE | $V_{DD} \geq V_{IT-}$, $V_{IH} = 1.1 \times V_{IT- (S)}$, $V_{IL} = 0.9 \times V_{IT- (S)}$ | 20 | | | |
| | | at PFI | $V_{DD} \geq 0.85\text{ V}$, $V_{IH} = 1.1 \times V_{IT- (S)}$, $V_{IL} = 0.9 \times V_{IT- (S)}$ | 20 | | | |
| | | at WDI | $V_{DD} \geq V_{IT-}$, $V_{IL} = 0.3 \times V_{DD}$, $V_{IH} = 0.7 \times V_{DD}$ | 0.3 | | | |

7.7 Switching Characteristics

At $R_L = 1\text{ M}\Omega$, $C_L = 50\text{ pF}$, and $T_A = -40^\circ\text{C}$ to 85°C , unless otherwise noted.

| PARAMETER | | TEST CONDITIONS | MIN | TYP | MAX | UNIT |
|------------------|--|--|-----|-----|-----|---------------|
| t_D | Delay time | $V_{DD} \geq 1.1 \times V_{IT-}$, $\overline{\text{MR}} = 0.7 \times V_{DD}$. See Timing Requirements . | 65 | 130 | 195 | ms |
| $t_{PHL(VDD)}$ | Propagation delay time, high-to-low level output | V_{DD} to $\overline{\text{RESET}}$ or $\overline{\text{RSTVDD}}$ delay | | | 40 | μs |
| $t_{PHL(SENSE)}$ | Propagation delay time, high-to-low level output | SENSE to $\overline{\text{RESET}}$ or $\overline{\text{RSTSENSE}}$ delay | | | 40 | μs |
| $t_{PHL(PFO)}$ | Propagation delay time, high-to-low level output | PFI to $\overline{\text{PFO}}$ delay | | | 40 | μs |
| $t_{PLH(PFO)}$ | Propagation delay time, low-to-high level output | PFI to $\overline{\text{PFO}}$ delay | | | 300 | μs |
| $t_{PHL(MR)}$ | Propagation delay time, high-to-low level output | $\overline{\text{MR}}$ to $\overline{\text{RESET}}$. $\overline{\text{RSTVDD}}$, $\overline{\text{RSTSENSE}}$ delay | | 1 | 5 | μs |

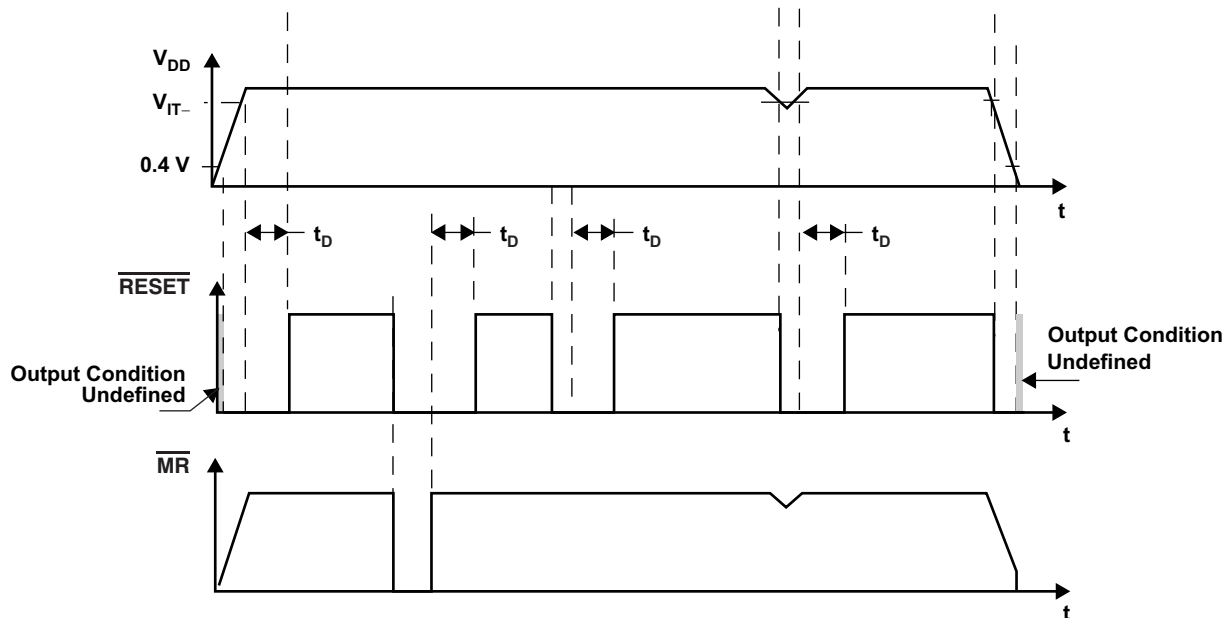


Figure 1. $\overline{\text{RESET}}$ Timing Diagram for TPS3103

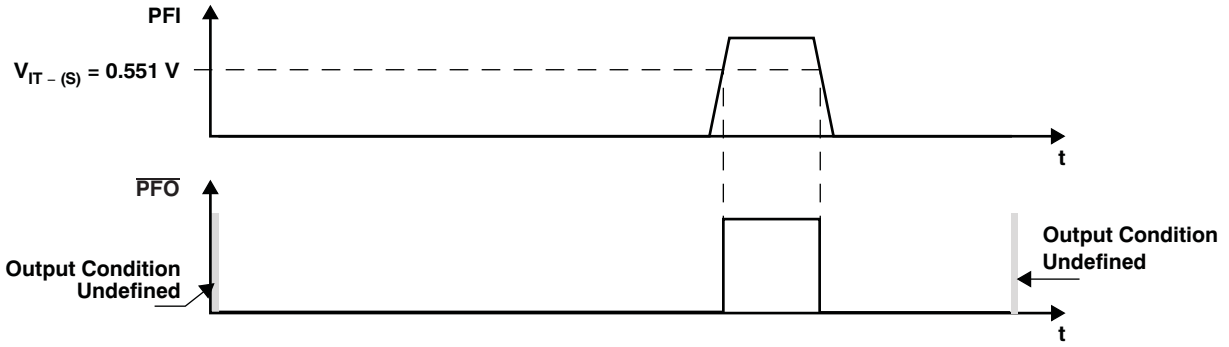


Figure 2. $\overline{\text{PFO}}$ Timing Diagram for TPS3103

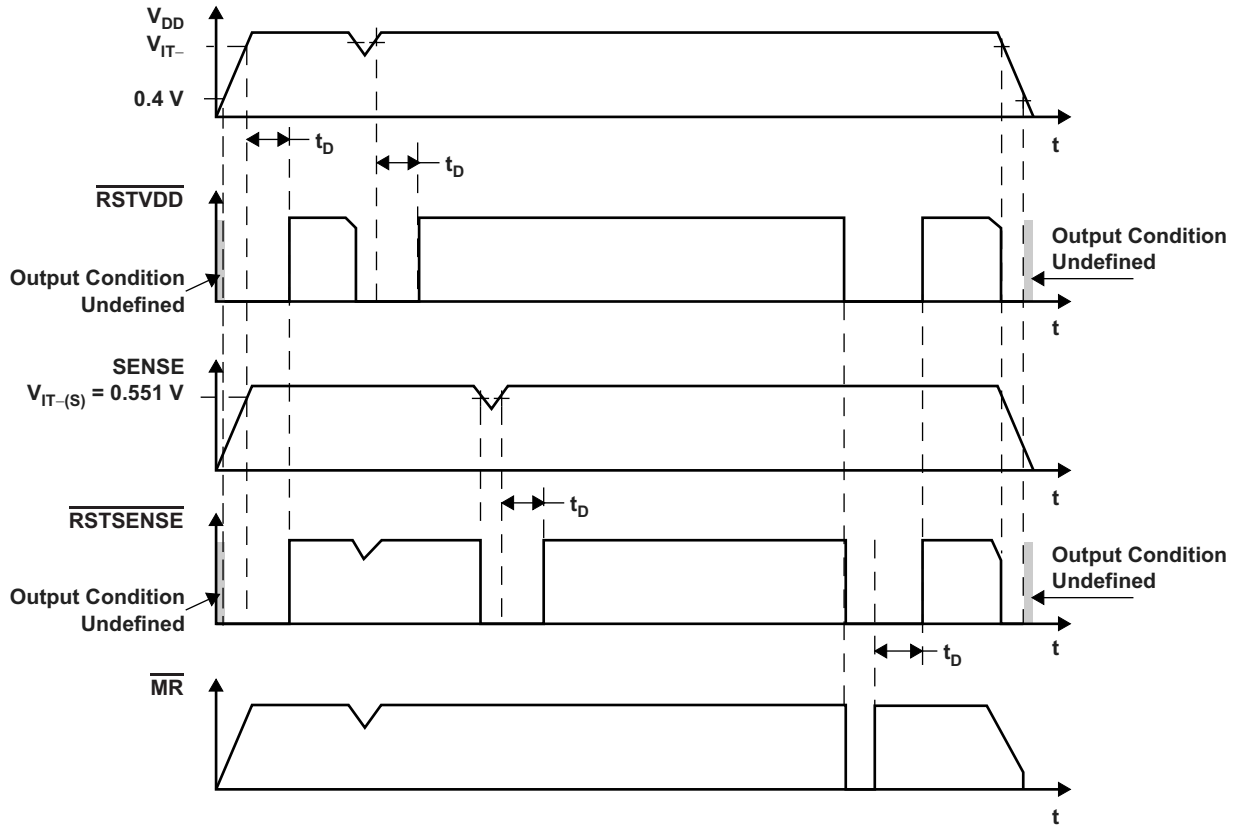


Figure 3. Timing Diagram for TPS3106

TPS3103, TPS3106, TPS3110

SLVS363G – AUGUST 2001 – REVISED SEPTEMBER 2016

www.ti.com

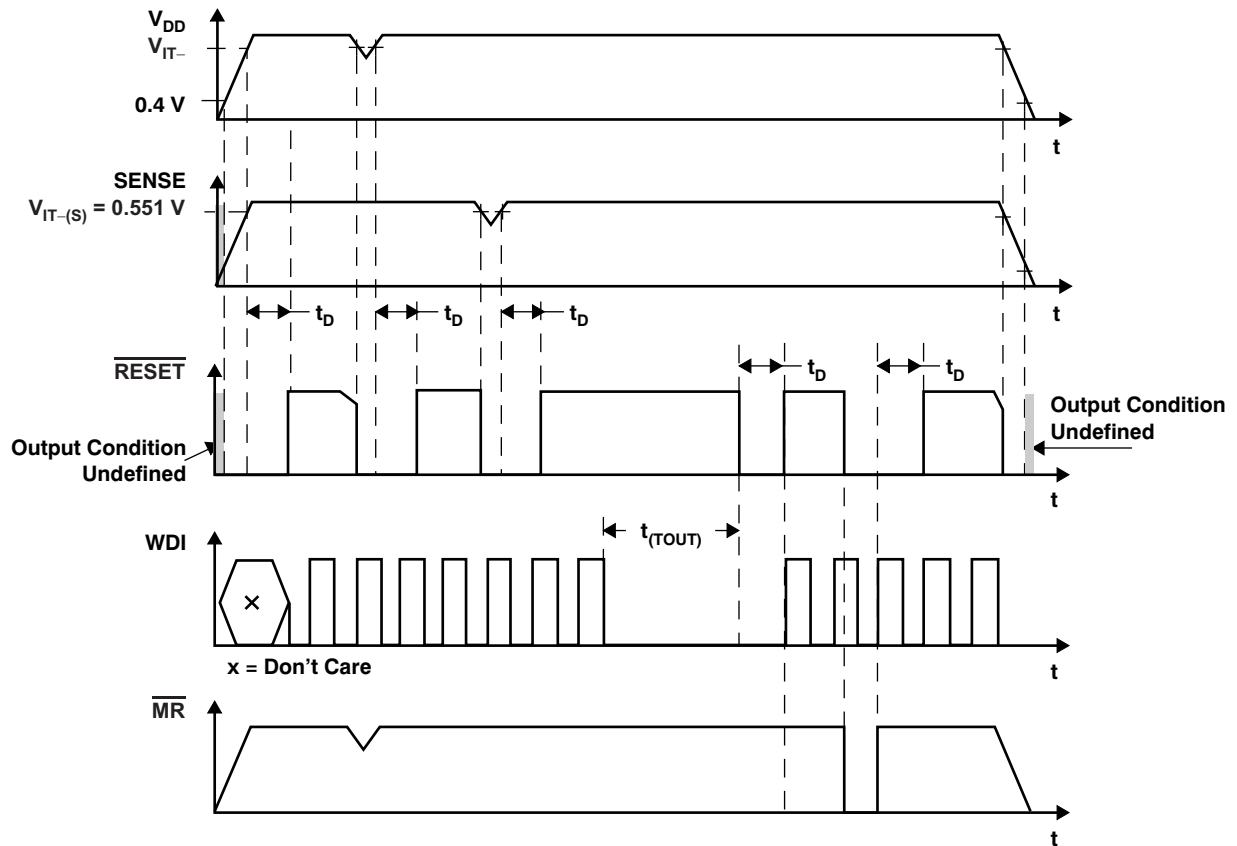
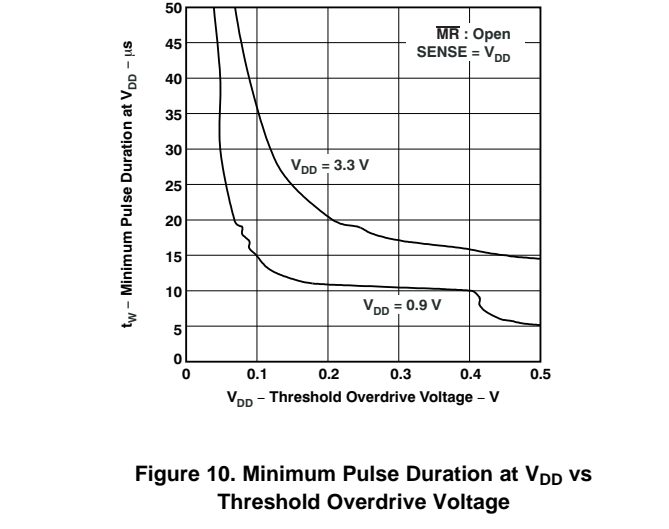
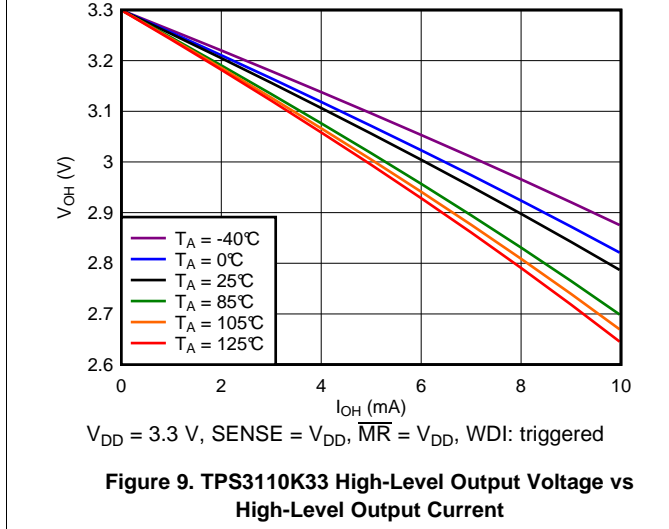
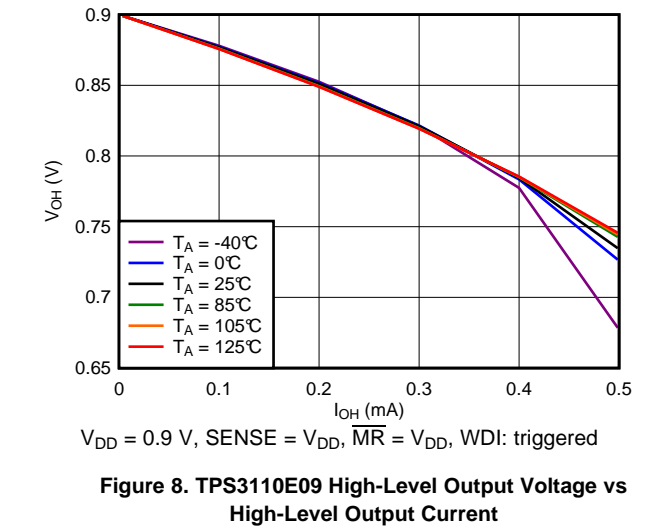
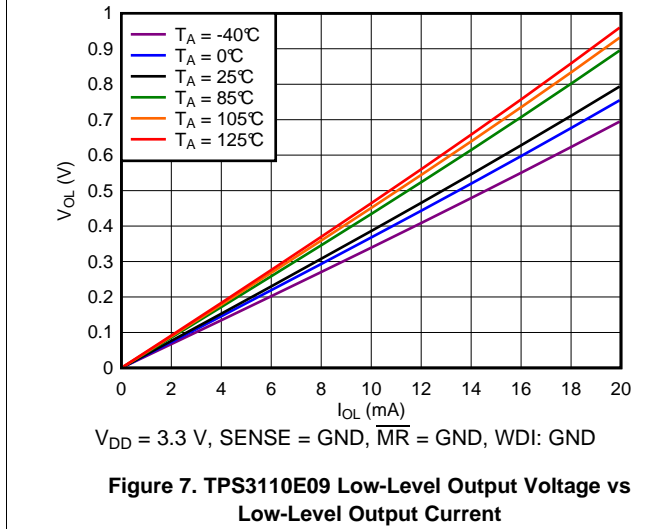
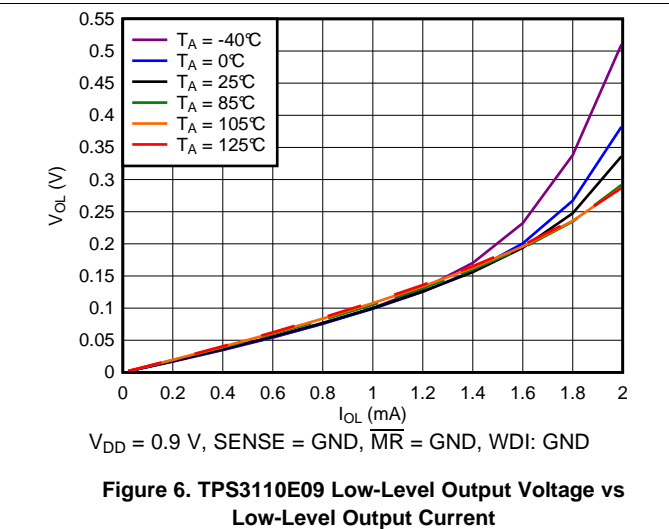
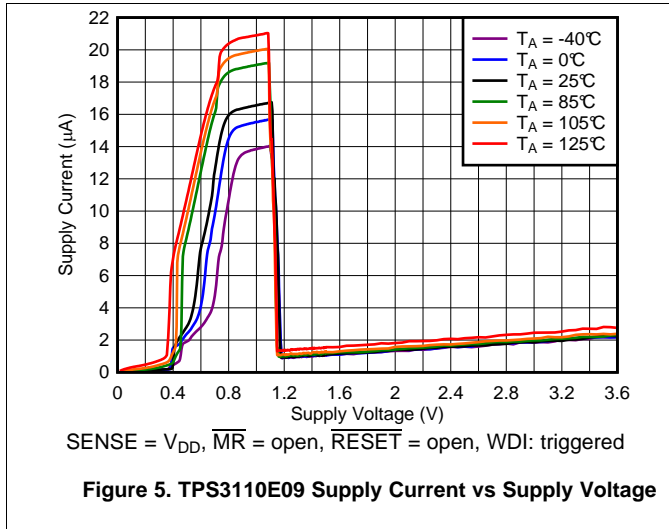


Figure 4. Timing Diagram for TPS3110

7.8 Typical Characteristics



Typical Characteristics (continued)



Figure 11. Normalized Threshold Voltage vs Free-Air Temperature

8 Detailed Description

8.1 Overview

The TPS310x and TPS311x families of supervisory circuits operate from supply voltages from 0.9 V to 3.6 V and provide circuit initialization and timing supervision for DSP- and processor-based systems. During power-on, $\overline{\text{RESET}}$ is asserted when the supply voltage (V_{DD}) exceeds 0.4 V. The devices monitor V_{DD} and keep the $\overline{\text{RESET}}$ output low as long as V_{DD} remains below the threshold voltage ($V_{\text{IT-}}$). To ensure proper system reset, after V_{DD} surpasses the threshold voltage plus the hysteresis ($V_{\text{IT-}} + V_{\text{HYS}}$) an internal timer delays the transition of the RESET signal from low to high for the specified time. The delay time starts after V_{DD} has risen above ($V_{\text{IT-}} + V_{\text{HYS}}$). When V_{DD} drops below $V_{\text{IT-}}$, the output becomes active again.

All the devices of this family have a fixed- V_{DD} threshold voltage ($V_{\text{IT-}}$) set by an internal voltage divider. The TPS3103 and TPS3106 devices both have an active-low, open-drain $\overline{\text{RESET}}$ output. The TPS3103 device has an integrated power-fail input (PFI) and corresponding power-fail output ($\overline{\text{PFO}}$) that can be used for low-battery detection or for monitoring a power supply other than the input supply. The TPS3106 device has a SENSE input with a corresponding output ($\overline{\text{RSTSENSE}}$) for monitoring voltages other than the input supply. The TPS3110 device has an active-low push/pull $\overline{\text{RESET}}$ and a watchdog timer that is used for monitoring the operation of microprocessors. All three devices have manual reset pin ($\overline{\text{MR}}$) that can be used to force the outputs low regardless of the sensed voltages.

8.2 Functional Block Diagrams



Figure 12. TPS3103 Functional Block Diagram

Functional Block Diagrams (continued)

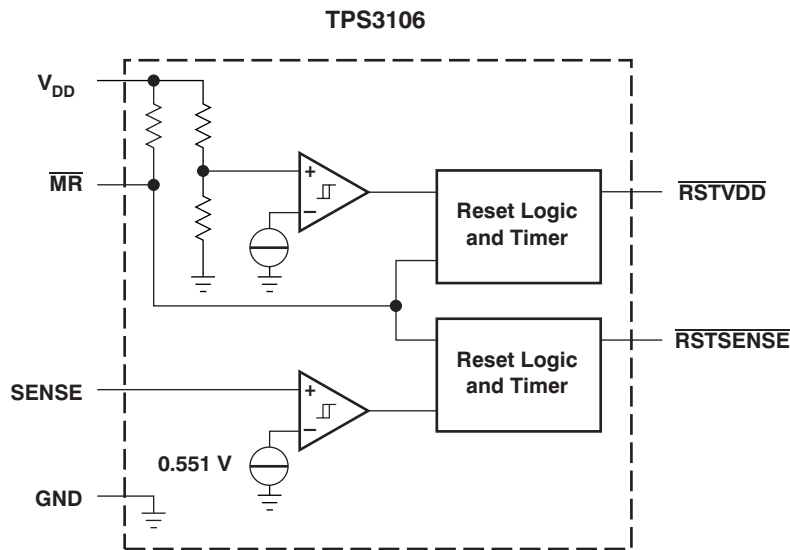


Figure 13. TPS3106 Functional Block Diagram

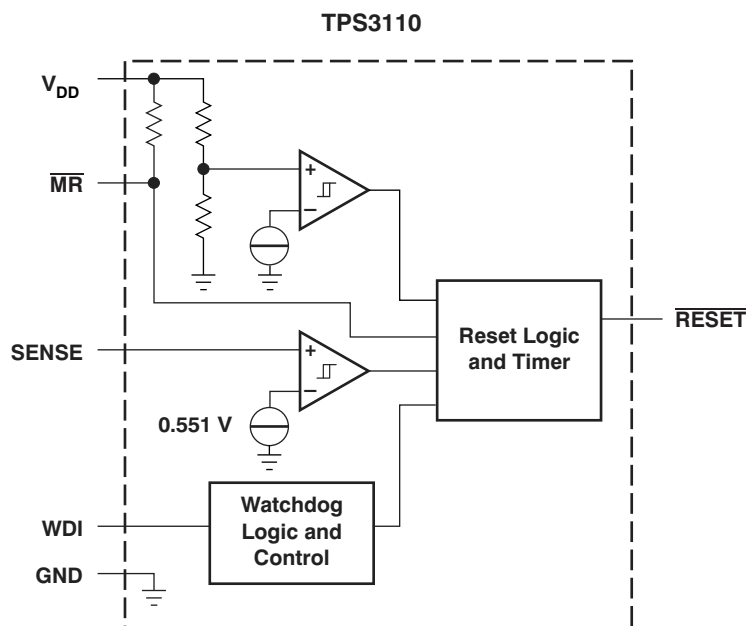


Figure 14. TPS3110 Functional Block Diagram

8.3 Feature Description

8.3.1 Watchdog

The TPS3110 device integrates a watchdog timer that must be periodically triggered by a positive or negative transition of WDI. When the supervising system fails to retrigger the watchdog circuit within the time-out interval, $\overline{\text{RESET}}$ becomes active for the time period (t_D). This event also reinitializes the watchdog timer.

8.3.2 Manual Reset ($\overline{\text{MR}}$)

Many μC -based products require manual-reset capability, allowing an operator or logic circuitry to initiate a reset. Logic low at $\overline{\text{MR}}$ asserts reset. Reset remains asserted while $\overline{\text{MR}}$ is low and for a time period (t_D) after $\overline{\text{MR}}$ returns high. The input has an internal 100-k Ω pullup resistor, so it can be left open if it is unused.

Connect a normally open momentary switch from $\overline{\text{MR}}$ to GND to create a manual reset function. External debounce is not required. If $\overline{\text{MR}}$ is driven from long cables or if the device is used in noisy environments, connecting a 0.1- μF capacitor from $\overline{\text{MR}}$ to GND provides additional noise immunity.

If there is a possibility of transient or DC conditions causing $\overline{\text{MR}}$ to rise above V_{DD} , a diode should be used to limit $\overline{\text{MR}}$ to a diode drop above V_{DD} .

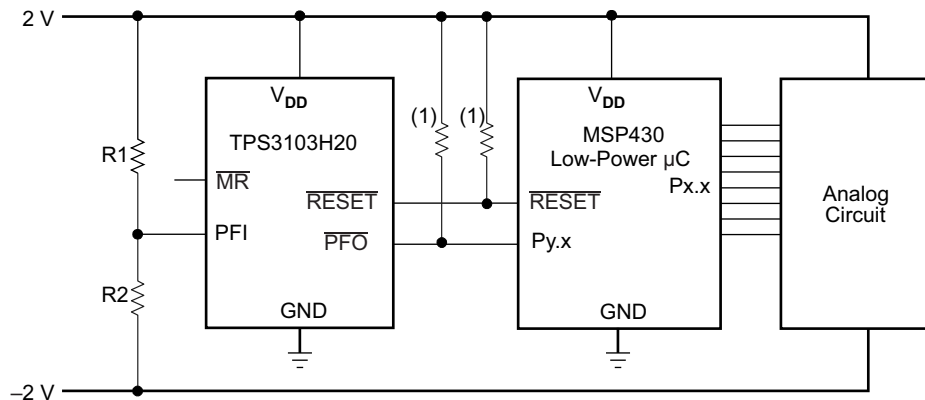
8.3.3 PFI, $\overline{\text{PFO}}$

The TPS3103 has an integrated power-fail (PFI) comparator with a separate open-drain ($\overline{\text{PFO}}$) output. The PFI and $\overline{\text{PFO}}$ can be used for low-battery detection, power-fail warning, or for monitoring a power supply other than the main supply, and has no effect on $\overline{\text{RESET}}$.

An additional comparator is provided to monitor voltages other than the nominal supply voltage. The power-fail input (PFI) will be compared with an internal voltage reference of 0.551 V. If the input voltage falls below the power-fail threshold ($V_{IT(S)}$), the power-fail output ($\overline{\text{PFO}}$) goes low. If it goes above 0.551 V plus approximately 15-mV hysteresis, the output returns to high. By connecting two external resistors, it is possible to supervise any voltage above 0.551 V. The sum of both resistors should be approximately 1 M Ω , to minimize power consumption and to assure that the current into the PFI pin can be neglected, compared with the current through the resistor network. The tolerance of the external resistors should be not more than 1% to ensure minimal variation of sensed voltage. If the power-fail comparator is unused, connect PFI to GND and leave $\overline{\text{PFO}}$ unconnected. For proper operation of the PFI-comparator, the supply voltage (V_{DD}) must be higher than 0.8 V.

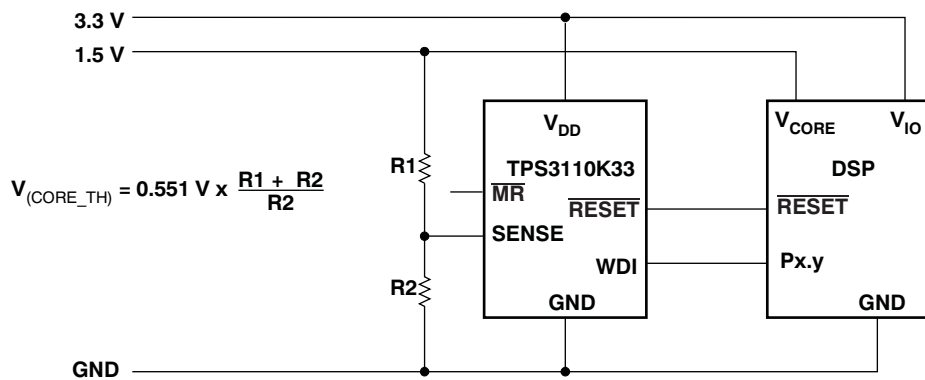
8.3.4 SENSE

The voltage at the SENSE input is compared with a reference voltage of 0.551 V. If the voltage at SENSE falls below the sense-threshold ($V_{IT(S)}$), reset is asserted. On the TPS3106 device, a dedicated $\overline{\text{RSTSENSE}}$ output is available. On the TPS3110 device, the logic signal from SENSE is OR-wired with the logic signal from V_{DD} or $\overline{\text{MR}}$. An internal timer delays the return of the output to the inactive state, once the voltage at SENSE goes above 0.551 V plus about 15 mV of hysteresis. For proper operation of the SENSE-comparator, the supply voltage must be higher than 0.8 V.

Feature Description (continued)


$$V_{(NEG_TH)} = 0.551 \text{ V} - \frac{R2}{R1} (V_{DD} - 0.551 \text{ V})$$

- (1) Resistor may be integrated in microcontroller.

Figure 15. TPS3103 Monitoring a Negative Voltage


$$V_{(CORE_TH)} = 0.551 \text{ V} \times \frac{R1 + R2}{R2}$$

Figure 16. TPS3110 in a DSP-System Monitoring Both Supply Voltages

8.4 Device Functional Modes

Table 1. TPS3103 Function Table

| $\overline{\text{MR}}$ | $V_{(\text{PFI})} > 0.551 \text{ V}$ | $V_{\text{DD}} > V_{\text{IT-}}$ | $\overline{\text{RESET}}$ | $\overline{\text{PFO}}$ |
|------------------------|--------------------------------------|----------------------------------|---------------------------|-------------------------|
| L | 0 | X ⁽¹⁾ | L | L |
| L | 1 | X | L | H |
| H | 0 | 0 | L | L |
| H | 0 | 1 | H | L |
| H | 1 | 0 | L | H |
| H | 1 | 1 | H | H |

(1) X = Don't care.

Table 2. TPS3106 Function Table

| $\overline{\text{MR}}$ | $V_{(\text{SENSE})} > 0.551 \text{ V}$ | $V_{\text{DD}} > V_{\text{IT-}}$ | $\overline{\text{RSTVDD}}$ | $\overline{\text{RSTSENSE}}$ |
|------------------------|--|----------------------------------|----------------------------|------------------------------|
| L | X ⁽¹⁾ | X | L | L |
| H | 0 | 0 | L | L |
| H | 0 | 1 | H | L |
| H | 1 | 0 | L | H |
| H | 1 | 1 | H | H |

(1) X = Don't care.

Table 3. TPS3110 Function Table⁽¹⁾

| $\overline{\text{MR}}$ | $V_{(\text{SENSE})} > 0.551 \text{ V}$ | $V_{\text{DD}} > V_{\text{IT-}}$ | $\overline{\text{RESET}}$ |
|------------------------|--|----------------------------------|---------------------------|
| L | X ⁽²⁾ | X | L |
| H | 0 | 0 | L |
| H | 0 | 1 | L |
| H | 1 | 0 | L |
| H | 1 | 1 | H |

(1) Function of watchdog timer not shown.

(2) X = Don't care.

9 Application and Implementation

NOTE

Information in the following applications sections is not part of the TI component specification, and TI does not warrant its accuracy or completeness. TI's customers are responsible for determining suitability of components for their purposes. Customers should validate and test their design implementation to confirm system functionality.

9.1 Application Information

The TPS310x and TPS311x families are supervisory circuits made to monitor the input supply and other external voltages greater than 0.551 V. These devices are made to operate from and monitor input supplies ranging from 0.9 V to 3.6 V, and all versions have a manual reset pin. The TPS3103 and TPS3106 both have an active-low, open-drain RESET output. The TPS3103 device has an integrated power-fail input (PFI) and corresponding power-fail output (PFO) that can be used for low-battery detection or for monitoring a power supply other than the input supply and has a short delay time for more immediate triggering of the output. The TPS3106 device has a SENSE input with a corresponding output (RSTSENSE) for monitoring voltages other than the input supply and a longer delay time than the TPS3103 device to minimize accidental triggering of the output. The TPS3110 device has an active-low push/pull RESET and a watchdog timer that is used for monitoring the operation of microprocessors.

9.2 Typical Application

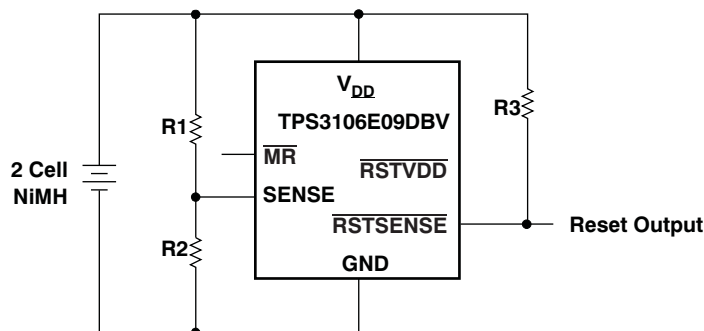


Figure 17. Battery Monitoring With 3- μ A Supply Current for Device and Resistor Divider

9.2.1 Design Requirements

In some applications it is necessary to minimize the quiescent current even during the reset period. This is especially true when the voltage of a battery is supervised and the RESET is used to shut down the system or for an early warning. In this case the reset condition will last for a longer period of time. The current drawn from the battery should almost be zero, especially when the battery is discharged.

For this kind of application, either the TPS3103 or TPS3106 device is a good fit. To minimize current consumption, select a version where the threshold voltage is lower than the voltage monitored at V_{DD} . The TPS3106 device has two reset outputs. One output (RSTVDD) is triggered from the voltage monitored at V_{DD} . The other output (RSTSENSE) is triggered from the voltage monitored at SENSE. In the application shown in Figure 17, the TPS3106E09 device is used to monitor the input voltage of two NiCd or NiMH cells. The threshold voltage [$V_{(TH)} = 0.86$ V] was chosen as low as possible to ensure that the supply voltage is always higher than the threshold voltage at V_{DD} . The voltage of the battery is monitored using the SENSE input.

Typical Application (continued)

9.2.2 Detailed Design Procedure

The voltage divider was calculated to assert a reset using the $\overline{\text{RSTSENSE}}$ output at $2 \times 0.8 \text{ V} = 1.6 \text{ V}$, using Equation 1.

$$R_1 = R_2 \times \left(\frac{V_{\text{TRIP}}}{V_{\text{IT-(S)}}} - 1 \right)$$

where

- V_{TRIP} is the voltage of the battery at which a reset is asserted
- $V_{\text{IT-(S)}}$ is the threshold voltage at $\text{SENSE} = 0.551 \text{ V}$
- R_1 was chosen for a resistor current in the $1\text{-}\mu\text{A}$ range
- With $V_{\text{TRIP}} = 1.6 \text{ V}$
- $R_1 \cong 1.9 \times R_2$
- $R_1 = 820 \text{ k}\Omega$, $R_2 = 430 \text{ k}\Omega$

(1)

9.2.3 Application Curve

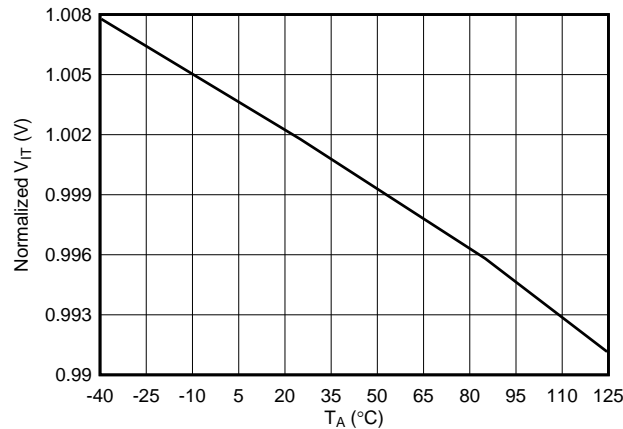


Figure 18. Normalized Threshold Voltage vs Free-Air Temperature

10 Power Supply Recommendations

These devices are designed to operate from an input supply with a voltage range between 0.9 V and 3.6 V.

Though not required, it is good analog design practice to place a 0.1- μF ceramic capacitor close to the VCC pin if the input supply is noisy.

11 Layout

11.1 Layout Guidelines

Follow these guidelines to lay out the printed-circuit-board (PCB) that is used for the TPS310x and TPS3110x family of devices.

- Place the V_{DD} decoupling capacitor close to the device.
- Avoid using long traces for the VCC supply node. The VCC capacitor (C_{VDD}), along with parasitic inductance from the supply to the capacitor, can form an LC tank and create ringing with peak voltages above the maximum V_{DD} voltage.

11.2 Layout Example



Figure 19. Example Layout (DBV Package)

12 Device and Documentation Support

12.1 Device Support

12.1.1 Development Support

12.1.1.1 Spice Models

Computer simulation of circuit performance using SPICE is often useful when analyzing the performance of analog circuits and systems. SPICE models for the TPS310x and TPS311x are available through the respective product folders under *Tools & Software*.

12.1.2 Device Nomenclature

Table 4. Ordering Information⁽¹⁾

| PRODUCT | NOMINAL SUPPLY VOLTAGE | THRESHOLD VOLTAGE, V_{IT-} ⁽²⁾ |
|----------------|------------------------|---|
| TPS3103E12DBVR | 1.2 V | 1.142 V |
| TPS3103E15DBVR | 1.5 V | 1.434 V |
| TPS3103H20DBVR | 2.0 V | 1.84 V |
| TPS3103K33DBVR | 3.3 V | 2.941 V |
| TPS3106E09DBVR | 0.9 V | 0.86 V |
| TPS3106E16DBVR | 1.6 V | 1.521 V |
| TPS3106K33DBVR | 3.3 V | 2.941 V |
| TPS3110E09DBVR | 0.9 V | 0.86 V |
| TPS3110E12DBVR | 1.2 V | 1.142 V |
| TPS3110E15DBVR | 1.5 V | 1.434 V |
| TPS3110K33DBVR | 3.3 V | 2.941 V |

(1) For the most current package and ordering information see the Package Option Addendum at the end of this document, or see the TI website at www.ti.com.

(2) Custom threshold voltages are available. Minimum order quantities apply. Contact factory for details and availability.

12.2 Related Links

The table below lists quick access links. Categories include technical documents, support and community resources, tools and software, and quick access to sample or buy.

Table 5. Related Links

| PARTS | PRODUCT FOLDER | SAMPLE & BUY | TECHNICAL DOCUMENTS | TOOLS & SOFTWARE | SUPPORT & COMMUNITY |
|---------|----------------------------|----------------------------|----------------------------|----------------------------|----------------------------|
| TPS3103 | Click here | Click here | Click here | Click here | Click here |
| TPS3106 | Click here | Click here | Click here | Click here | Click here |
| TPS3110 | Click here | Click here | Click here | Click here | Click here |

12.3 Receiving Notification of Documentation Updates

To receive notification of documentation updates, navigate to the device product folder on ti.com. In the upper right corner, click on *Alert me* to register and receive a weekly digest of any product information that has changed. For change details, review the revision history included in any revised document.

12.4 Community Resources

The following links connect to TI community resources. Linked contents are provided "AS IS" by the respective contributors. They do not constitute TI specifications and do not necessarily reflect TI's views; see TI's [Terms of Use](#).

TI E2E™ Online Community *TI's Engineer-to-Engineer (E2E) Community*. Created to foster collaboration among engineers. At e2e.ti.com, you can ask questions, share knowledge, explore ideas and help solve problems with fellow engineers.

Design Support *TI's Design Support* Quickly find helpful E2E forums along with design support tools and contact information for technical support.

12.5 Trademarks

E2E is a trademark of Texas Instruments.
All other trademarks are the property of their respective owners.

12.6 Electrostatic Discharge Caution



This integrated circuit can be damaged by ESD. Texas Instruments recommends that all integrated circuits be handled with appropriate precautions. Failure to observe proper handling and installation procedures can cause damage.

ESD damage can range from subtle performance degradation to complete device failure. Precision integrated circuits may be more susceptible to damage because very small parametric changes could cause the device not to meet its published specifications.

12.7 Glossary

[SLYZ022](#) — *TI Glossary*.

This glossary lists and explains terms, acronyms, and definitions.

13 Mechanical, Packaging, and Orderable Information

The following pages include mechanical, packaging, and orderable information. This information is the most current data available for the designated devices. This data is subject to change without notice and revision of this document. For browser-based versions of this data sheet, refer to the left-hand navigation.

PACKAGING INFORMATION

| Orderable Device | Status (1) | Package Type | Package Drawing | Pins | Package Qty | Eco Plan (2) | Lead/Ball Finish (6) | MSL Peak Temp (3) | Op Temp (°C) | Device Marking (4/5) | Samples |
|------------------|---------------|--------------|-----------------|------|-------------|-------------------------|-------------------------|----------------------|--------------|-------------------------|-------------------------|
| TPS3103E12DBVR | ACTIVE | SOT-23 | DBV | 6 | 3000 | Green (RoHS & no Sb/Br) | CU NIPDAU | Level-1-260C-UNLIM | -40 to 85 | PFWI | Samples |
| TPS3103E12DBVRG4 | ACTIVE | SOT-23 | DBV | 6 | 3000 | Green (RoHS & no Sb/Br) | CU NIPDAU | Level-1-260C-UNLIM | -40 to 85 | PFWI | Samples |
| TPS3103E12DBVT | ACTIVE | SOT-23 | DBV | 6 | 250 | Green (RoHS & no Sb/Br) | CU NIPDAU | Level-1-260C-UNLIM | -40 to 85 | PFWI | Samples |
| TPS3103E12DBVTG4 | ACTIVE | SOT-23 | DBV | 6 | 250 | Green (RoHS & no Sb/Br) | CU NIPDAU | Level-1-260C-UNLIM | -40 to 85 | PFWI | Samples |
| TPS3103E15DBVR | ACTIVE | SOT-23 | DBV | 6 | 3000 | Green (RoHS & no Sb/Br) | CU NIPDAU | Level-1-260C-UNLIM | -40 to 85 | PFXI | Samples |
| TPS3103E15DBVRG4 | ACTIVE | SOT-23 | DBV | 6 | 3000 | Green (RoHS & no Sb/Br) | CU NIPDAU | Level-1-260C-UNLIM | -40 to 85 | PFXI | Samples |
| TPS3103E15DBVT | ACTIVE | SOT-23 | DBV | 6 | 250 | Green (RoHS & no Sb/Br) | CU NIPDAU | Level-1-260C-UNLIM | -40 to 85 | PFXI | Samples |
| TPS3103E15DBVTG4 | ACTIVE | SOT-23 | DBV | 6 | 250 | Green (RoHS & no Sb/Br) | CU NIPDAU | Level-1-260C-UNLIM | -40 to 85 | PFXI | Samples |
| TPS3103H20DBVR | ACTIVE | SOT-23 | DBV | 6 | 3000 | Green (RoHS & no Sb/Br) | CU NIPDAU | Level-1-260C-UNLIM | -40 to 85 | PFYI | Samples |
| TPS3103H20DBVT | ACTIVE | SOT-23 | DBV | 6 | 250 | Green (RoHS & no Sb/Br) | CU NIPDAU | Level-1-260C-UNLIM | -40 to 85 | PFYI | Samples |
| TPS3103K33DBVR | ACTIVE | SOT-23 | DBV | 6 | 3000 | Green (RoHS & no Sb/Br) | CU NIPDAU | Level-1-260C-UNLIM | -40 to 85 | PGRI | Samples |
| TPS3103K33DBVRG4 | ACTIVE | SOT-23 | DBV | 6 | 3000 | Green (RoHS & no Sb/Br) | CU NIPDAU | Level-1-260C-UNLIM | -40 to 85 | PGRI | Samples |
| TPS3103K33DBVT | ACTIVE | SOT-23 | DBV | 6 | 250 | Green (RoHS & no Sb/Br) | CU NIPDAU | Level-1-260C-UNLIM | -40 to 85 | PGRI | Samples |
| TPS3103K33DBVTG4 | ACTIVE | SOT-23 | DBV | 6 | 250 | Green (RoHS & no Sb/Br) | CU NIPDAU | Level-1-260C-UNLIM | -40 to 85 | PGRI | Samples |
| TPS3106E09DBVR | ACTIVE | SOT-23 | DBV | 6 | 3000 | Green (RoHS & no Sb/Br) | CU NIPDAU | Level-1-260C-UNLIM | -40 to 85 | PFZI | Samples |
| TPS3106E09DBVRG4 | ACTIVE | SOT-23 | DBV | 6 | 3000 | Green (RoHS & no Sb/Br) | CU NIPDAU | Level-1-260C-UNLIM | -40 to 85 | PFZI | Samples |
| TPS3106E09DBVT | ACTIVE | SOT-23 | DBV | 6 | 250 | Green (RoHS & no Sb/Br) | CU NIPDAU | Level-1-260C-UNLIM | -40 to 85 | PFZI | Samples |

| Orderable Device | Status (1) | Package Type | Package Drawing | Pins | Package Qty | Eco Plan (2) | Lead/Ball Finish (6) | MSL Peak Temp (3) | Op Temp (°C) | Device Marking (4/5) | Samples |
|------------------|---------------|--------------|-----------------|------|-------------|-------------------------|-------------------------|----------------------|--------------|-------------------------|-------------------------|
| TPS3106E09DBVTG4 | ACTIVE | SOT-23 | DBV | 6 | 250 | Green (RoHS & no Sb/Br) | CU NIPDAU | Level-1-260C-UNLIM | -40 to 85 | PFZI | Samples |
| TPS3106E16DBVR | ACTIVE | SOT-23 | DBV | 6 | 3000 | Green (RoHS & no Sb/Br) | CU NIPDAU | Level-1-260C-UNLIM | -40 to 85 | PGSI | Samples |
| TPS3106E16DBVRG4 | ACTIVE | SOT-23 | DBV | 6 | 3000 | Green (RoHS & no Sb/Br) | CU NIPDAU | Level-1-260C-UNLIM | -40 to 85 | PGSI | Samples |
| TPS3106E16DBVT | ACTIVE | SOT-23 | DBV | 6 | 250 | Green (RoHS & no Sb/Br) | CU NIPDAU | Level-1-260C-UNLIM | -40 to 85 | PGSI | Samples |
| TPS3106E16DBVTG4 | ACTIVE | SOT-23 | DBV | 6 | 250 | Green (RoHS & no Sb/Br) | CU NIPDAU | Level-1-260C-UNLIM | -40 to 85 | PGSI | Samples |
| TPS3106K33DBVR | ACTIVE | SOT-23 | DBV | 6 | 3000 | Green (RoHS & no Sb/Br) | CU NIPDAU | Level-1-260C-UNLIM | -40 to 85 | PGBI | Samples |
| TPS3106K33DBVRG4 | ACTIVE | SOT-23 | DBV | 6 | 3000 | Green (RoHS & no Sb/Br) | CU NIPDAU | Level-1-260C-UNLIM | -40 to 85 | PGBI | Samples |
| TPS3106K33DBVT | ACTIVE | SOT-23 | DBV | 6 | 250 | Green (RoHS & no Sb/Br) | CU NIPDAU | Level-1-260C-UNLIM | -40 to 85 | PGBI | Samples |
| TPS3106K33DBVTG4 | ACTIVE | SOT-23 | DBV | 6 | 250 | Green (RoHS & no Sb/Br) | CU NIPDAU | Level-1-260C-UNLIM | -40 to 85 | PGBI | Samples |
| TPS3110E09DBVR | ACTIVE | SOT-23 | DBV | 6 | 3000 | Green (RoHS & no Sb/Br) | CU NIPDAU | Level-1-260C-UNLIM | -40 to 85 | PGII | Samples |
| TPS3110E12DBVR | ACTIVE | SOT-23 | DBV | 6 | 3000 | Green (RoHS & no Sb/Br) | CU NIPDAU | Level-1-260C-UNLIM | -40 to 85 | PGJI | Samples |
| TPS3110E12DBVT | ACTIVE | SOT-23 | DBV | 6 | 250 | Green (RoHS & no Sb/Br) | CU NIPDAU | Level-1-260C-UNLIM | -40 to 85 | PGJI | Samples |
| TPS3110E15DBVR | ACTIVE | SOT-23 | DBV | 6 | 3000 | Green (RoHS & no Sb/Br) | CU NIPDAU | Level-1-260C-UNLIM | -40 to 85 | PGKI | Samples |
| TPS3110E15DBVT | ACTIVE | SOT-23 | DBV | 6 | 250 | Green (RoHS & no Sb/Br) | CU NIPDAU | Level-1-260C-UNLIM | -40 to 85 | PGKI | Samples |
| TPS3110K33DBVR | ACTIVE | SOT-23 | DBV | 6 | 3000 | Green (RoHS & no Sb/Br) | CU NIPDAU | Level-1-260C-UNLIM | -40 to 85 | PGLI | Samples |
| TPS3110K33DBVT | ACTIVE | SOT-23 | DBV | 6 | 250 | Green (RoHS & no Sb/Br) | CU NIPDAU | Level-1-260C-UNLIM | -40 to 85 | PGLI | Samples |

(1) The marketing status values are defined as follows:

ACTIVE: Product device recommended for new designs.

LIFEBUY: TI has announced that the device will be discontinued, and a lifetime-buy period is in effect.

NRND: Not recommended for new designs. Device is in production to support existing customers, but TI does not recommend using this part in a new design.

PREVIEW: Device has been announced but is not in production. Samples may or may not be available.

OBSELETE: TI has discontinued the production of the device.

⁽²⁾ **RoHS:** TI defines "RoHS" to mean semiconductor products that are compliant with the current EU RoHS requirements for all 10 RoHS substances, including the requirement that RoHS substance do not exceed 0.1% by weight in homogeneous materials. Where designed to be soldered at high temperatures, "RoHS" products are suitable for use in specified lead-free processes. TI may reference these types of products as "Pb-Free".

RoHS Exempt: TI defines "RoHS Exempt" to mean products that contain lead but are compliant with EU RoHS pursuant to a specific EU RoHS exemption.

Green: TI defines "Green" to mean the content of Chlorine (Cl) and Bromine (Br) based flame retardants meet JS709B low halogen requirements of ≤ 1000 ppm threshold. Antimony trioxide based flame retardants must also meet the ≤ 1000 ppm threshold requirement.

⁽³⁾ MSL, Peak Temp. - The Moisture Sensitivity Level rating according to the JEDEC industry standard classifications, and peak solder temperature.

⁽⁴⁾ There may be additional marking, which relates to the logo, the lot trace code information, or the environmental category on the device.

⁽⁵⁾ Multiple Device Markings will be inside parentheses. Only one Device Marking contained in parentheses and separated by a "~" will appear on a device. If a line is indented then it is a continuation of the previous line and the two combined represent the entire Device Marking for that device.

⁽⁶⁾ Lead/Ball Finish - Orderable Devices may have multiple material finish options. Finish options are separated by a vertical ruled line. Lead/Ball Finish values may wrap to two lines if the finish value exceeds the maximum column width.

Important Information and Disclaimer: The information provided on this page represents TI's knowledge and belief as of the date that it is provided. TI bases its knowledge and belief on information provided by third parties, and makes no representation or warranty as to the accuracy of such information. Efforts are underway to better integrate information from third parties. TI has taken and continues to take reasonable steps to provide representative and accurate information but may not have conducted destructive testing or chemical analysis on incoming materials and chemicals. TI and TI suppliers consider certain information to be proprietary, and thus CAS numbers and other limited information may not be available for release.

In no event shall TI's liability arising out of such information exceed the total purchase price of the TI part(s) at issue in this document sold by TI to Customer on an annual basis.

OTHER QUALIFIED VERSIONS OF TPS3106 :

- Enhanced Product: [TPS3106-EP](#)

NOTE: Qualified Version Definitions:

- Enhanced Product - Supports Defense, Aerospace and Medical Applications

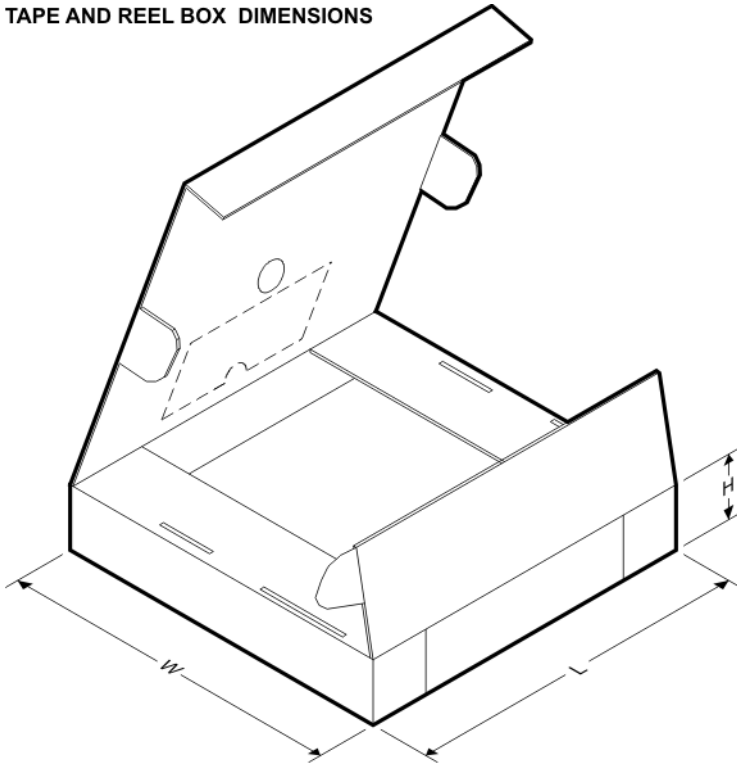
TAPE AND REEL INFORMATION

QUADRANT ASSIGNMENTS FOR PIN 1 ORIENTATION IN TAPE


*All dimensions are nominal

| Device | Package Type | Package Drawing | Pins | SPQ | Reel Diameter (mm) | Reel Width W1 (mm) | A0 (mm) | B0 (mm) | K0 (mm) | P1 (mm) | W (mm) | Pin1 Quadrant |
|----------------|--------------|-----------------|------|------|--------------------|--------------------|---------|---------|---------|---------|--------|---------------|
| TPS3103E12DBVR | SOT-23 | DBV | 6 | 3000 | 179.0 | 8.4 | 3.2 | 3.2 | 1.4 | 4.0 | 8.0 | Q3 |
| TPS3103E12DBVR | SOT-23 | DBV | 6 | 3000 | 178.0 | 9.0 | 3.23 | 3.17 | 1.37 | 4.0 | 8.0 | Q3 |
| TPS3103E12DBVT | SOT-23 | DBV | 6 | 250 | 178.0 | 9.0 | 3.23 | 3.17 | 1.37 | 4.0 | 8.0 | Q3 |
| TPS3103E12DBVT | SOT-23 | DBV | 6 | 250 | 179.0 | 8.4 | 3.2 | 3.2 | 1.4 | 4.0 | 8.0 | Q3 |
| TPS3103E15DBVR | SOT-23 | DBV | 6 | 3000 | 179.0 | 8.4 | 3.2 | 3.2 | 1.4 | 4.0 | 8.0 | Q3 |
| TPS3103E15DBVT | SOT-23 | DBV | 6 | 250 | 179.0 | 8.4 | 3.2 | 3.2 | 1.4 | 4.0 | 8.0 | Q3 |
| TPS3103H20DBVR | SOT-23 | DBV | 6 | 3000 | 178.0 | 9.0 | 3.23 | 3.17 | 1.37 | 4.0 | 8.0 | Q3 |
| TPS3103H20DBVR | SOT-23 | DBV | 6 | 3000 | 179.0 | 8.4 | 3.2 | 3.2 | 1.4 | 4.0 | 8.0 | Q3 |
| TPS3103H20DBVT | SOT-23 | DBV | 6 | 250 | 178.0 | 9.0 | 3.23 | 3.17 | 1.37 | 4.0 | 8.0 | Q3 |
| TPS3103H20DBVT | SOT-23 | DBV | 6 | 250 | 179.0 | 8.4 | 3.2 | 3.2 | 1.4 | 4.0 | 8.0 | Q3 |
| TPS3103K33DBVR | SOT-23 | DBV | 6 | 3000 | 179.0 | 8.4 | 3.2 | 3.2 | 1.4 | 4.0 | 8.0 | Q3 |
| TPS3103K33DBVT | SOT-23 | DBV | 6 | 250 | 179.0 | 8.4 | 3.2 | 3.2 | 1.4 | 4.0 | 8.0 | Q3 |
| TPS3106E09DBVR | SOT-23 | DBV | 6 | 3000 | 180.0 | 9.0 | 3.15 | 3.2 | 1.4 | 4.0 | 8.0 | Q3 |
| TPS3106E09DBVT | SOT-23 | DBV | 6 | 250 | 180.0 | 9.0 | 3.15 | 3.2 | 1.4 | 4.0 | 8.0 | Q3 |
| TPS3106E16DBVR | SOT-23 | DBV | 6 | 3000 | 180.0 | 9.0 | 3.15 | 3.2 | 1.4 | 4.0 | 8.0 | Q3 |
| TPS3106E16DBVT | SOT-23 | DBV | 6 | 250 | 180.0 | 9.0 | 3.15 | 3.2 | 1.4 | 4.0 | 8.0 | Q3 |
| TPS3106K33DBVR | SOT-23 | DBV | 6 | 3000 | 178.0 | 9.0 | 3.23 | 3.17 | 1.37 | 4.0 | 8.0 | Q3 |
| TPS3106K33DBVT | SOT-23 | DBV | 6 | 250 | 178.0 | 9.0 | 3.23 | 3.17 | 1.37 | 4.0 | 8.0 | Q3 |

| Device | Package Type | Package Drawing | Pins | SPQ | Reel Diameter (mm) | Reel Width W1 (mm) | A0 (mm) | B0 (mm) | K0 (mm) | P1 (mm) | W (mm) | Pin1 Quadrant |
|----------------|--------------|-----------------|------|------|--------------------|--------------------|---------|---------|---------|---------|--------|---------------|
| TPS3110E09DBVR | SOT-23 | DBV | 6 | 3000 | 180.0 | 9.0 | 3.15 | 3.2 | 1.4 | 4.0 | 8.0 | Q3 |
| TPS3110E12DBVR | SOT-23 | DBV | 6 | 3000 | 180.0 | 9.0 | 3.15 | 3.2 | 1.4 | 4.0 | 8.0 | Q3 |
| TPS3110E12DBVT | SOT-23 | DBV | 6 | 250 | 180.0 | 9.0 | 3.15 | 3.2 | 1.4 | 4.0 | 8.0 | Q3 |
| TPS3110E15DBVR | SOT-23 | DBV | 6 | 3000 | 180.0 | 9.0 | 3.15 | 3.2 | 1.4 | 4.0 | 8.0 | Q3 |
| TPS3110E15DBVT | SOT-23 | DBV | 6 | 250 | 180.0 | 9.0 | 3.15 | 3.2 | 1.4 | 4.0 | 8.0 | Q3 |
| TPS3110K33DBVR | SOT-23 | DBV | 6 | 3000 | 180.0 | 9.0 | 3.15 | 3.2 | 1.4 | 4.0 | 8.0 | Q3 |
| TPS3110K33DBVT | SOT-23 | DBV | 6 | 250 | 180.0 | 9.0 | 3.15 | 3.2 | 1.4 | 4.0 | 8.0 | Q3 |

TAPE AND REEL BOX DIMENSIONS


*All dimensions are nominal

| Device | Package Type | Package Drawing | Pins | SPQ | Length (mm) | Width (mm) | Height (mm) |
|----------------|--------------|-----------------|------|------|-------------|------------|-------------|
| TPS3103E12DBVR | SOT-23 | DBV | 6 | 3000 | 203.0 | 203.0 | 35.0 |
| TPS3103E12DBVR | SOT-23 | DBV | 6 | 3000 | 180.0 | 180.0 | 18.0 |
| TPS3103E12DBVT | SOT-23 | DBV | 6 | 250 | 180.0 | 180.0 | 18.0 |
| TPS3103E12DBVT | SOT-23 | DBV | 6 | 250 | 203.0 | 203.0 | 35.0 |
| TPS3103E15DBVR | SOT-23 | DBV | 6 | 3000 | 203.0 | 203.0 | 35.0 |
| TPS3103E15DBVT | SOT-23 | DBV | 6 | 250 | 203.0 | 203.0 | 35.0 |
| TPS3103H20DBVR | SOT-23 | DBV | 6 | 3000 | 180.0 | 180.0 | 18.0 |
| TPS3103H20DBVR | SOT-23 | DBV | 6 | 3000 | 203.0 | 203.0 | 35.0 |
| TPS3103H20DBVT | SOT-23 | DBV | 6 | 250 | 180.0 | 180.0 | 18.0 |
| TPS3103H20DBVT | SOT-23 | DBV | 6 | 250 | 203.0 | 203.0 | 35.0 |

| Device | Package Type | Package Drawing | Pins | SPQ | Length (mm) | Width (mm) | Height (mm) |
|----------------|--------------|-----------------|------|------|-------------|------------|-------------|
| TPS3103K33DBVR | SOT-23 | DBV | 6 | 3000 | 203.0 | 203.0 | 35.0 |
| TPS3103K33DBVT | SOT-23 | DBV | 6 | 250 | 203.0 | 203.0 | 35.0 |
| TPS3106E09DBVR | SOT-23 | DBV | 6 | 3000 | 182.0 | 182.0 | 20.0 |
| TPS3106E09DBVT | SOT-23 | DBV | 6 | 250 | 182.0 | 182.0 | 20.0 |
| TPS3106E16DBVR | SOT-23 | DBV | 6 | 3000 | 182.0 | 182.0 | 20.0 |
| TPS3106E16DBVT | SOT-23 | DBV | 6 | 250 | 182.0 | 182.0 | 20.0 |
| TPS3106K33DBVR | SOT-23 | DBV | 6 | 3000 | 180.0 | 180.0 | 18.0 |
| TPS3106K33DBVT | SOT-23 | DBV | 6 | 250 | 180.0 | 180.0 | 18.0 |
| TPS3110E09DBVR | SOT-23 | DBV | 6 | 3000 | 182.0 | 182.0 | 20.0 |
| TPS3110E12DBVR | SOT-23 | DBV | 6 | 3000 | 182.0 | 182.0 | 20.0 |
| TPS3110E12DBVT | SOT-23 | DBV | 6 | 250 | 182.0 | 182.0 | 20.0 |
| TPS3110E15DBVR | SOT-23 | DBV | 6 | 3000 | 182.0 | 182.0 | 20.0 |
| TPS3110E15DBVT | SOT-23 | DBV | 6 | 250 | 182.0 | 182.0 | 20.0 |
| TPS3110K33DBVR | SOT-23 | DBV | 6 | 3000 | 182.0 | 182.0 | 20.0 |
| TPS3110K33DBVT | SOT-23 | DBV | 6 | 250 | 182.0 | 182.0 | 20.0 |

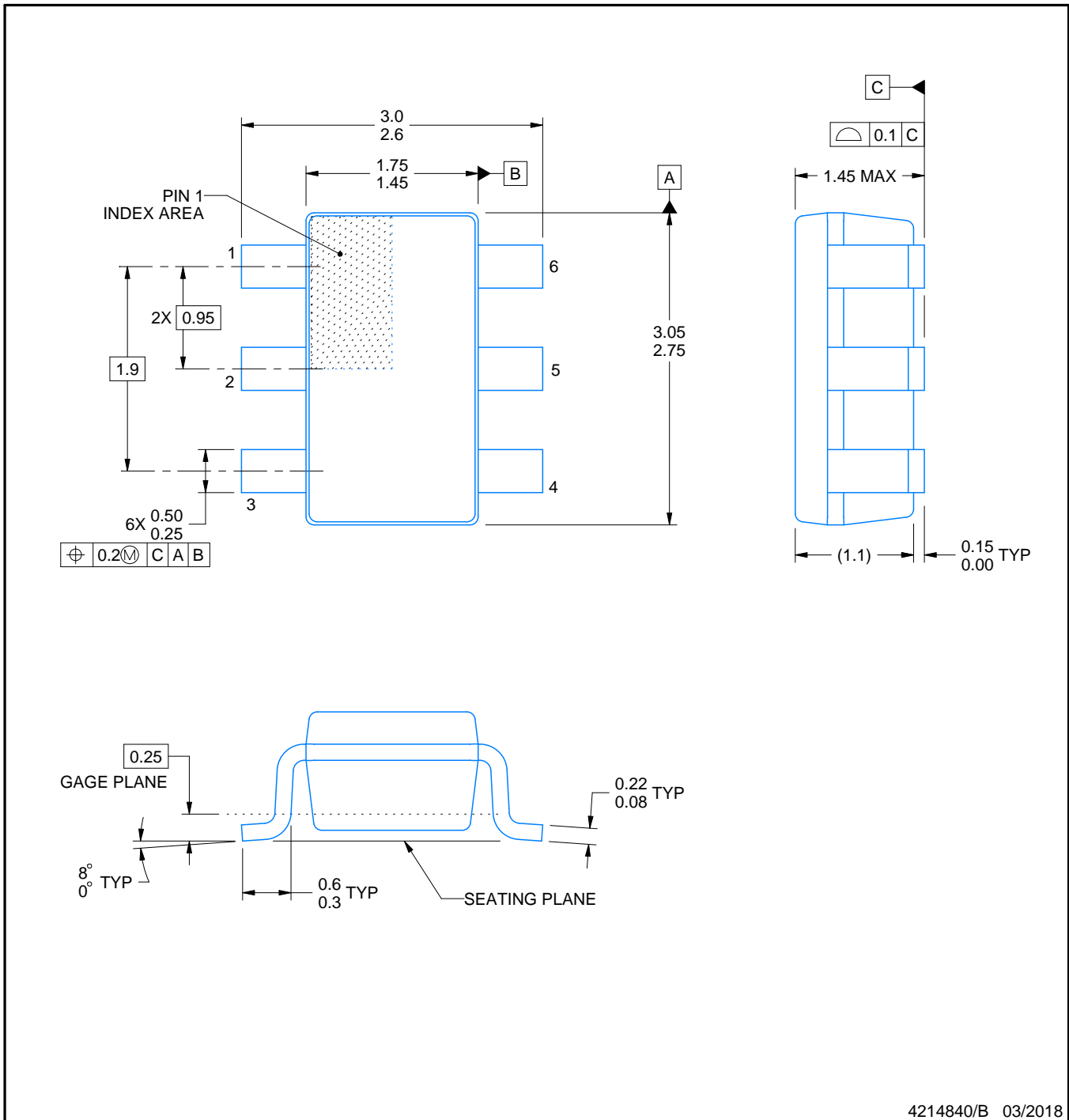
DBV0006A



PACKAGE OUTLINE

SOT-23 - 1.45 mm max height

SMALL OUTLINE TRANSISTOR



4214840/B 03/2018

NOTES:

1. All linear dimensions are in millimeters. Any dimensions in parenthesis are for reference only. Dimensioning and tolerancing per ASME Y14.5M.
2. This drawing is subject to change without notice.
3. Body dimensions do not include mold flash or protrusion. Mold flash and protrusion shall not exceed 0.15 per side.
4. Leads 1,2,3 may be wider than leads 4,5,6 for package orientation.
5. Reference JEDEC MO-178.

EXAMPLE BOARD LAYOUT

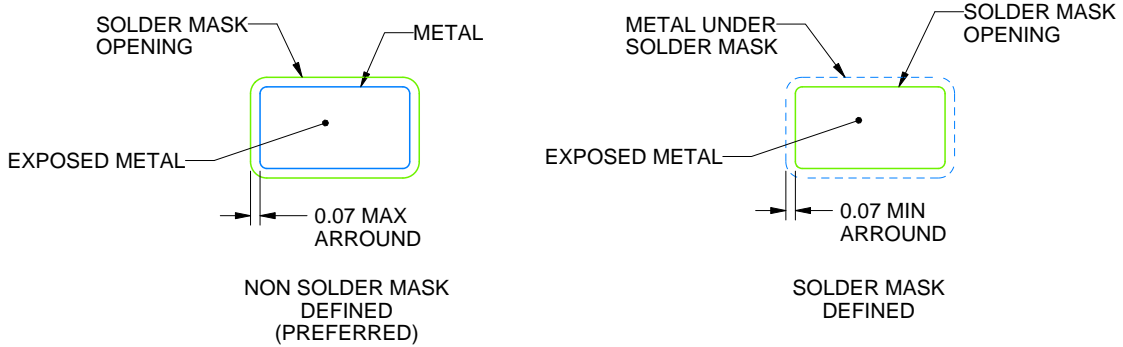
DBV0006A

SOT-23 - 1.45 mm max height

SMALL OUTLINE TRANSISTOR



LAND PATTERN EXAMPLE
EXPOSED METAL SHOWN
SCALE:15X



SOLDER MASK DETAILS

4214840/B 03/2018

NOTES: (continued)

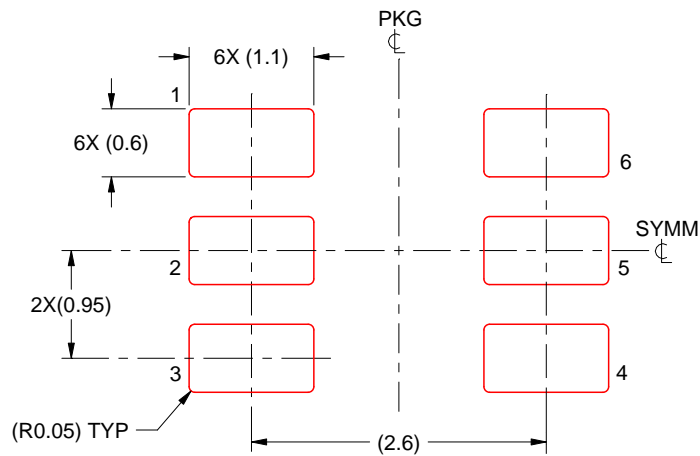
- 6. Publication IPC-7351 may have alternate designs.
- 7. Solder mask tolerances between and around signal pads can vary based on board fabrication site.

EXAMPLE STENCIL DESIGN

DBV0006A

SOT-23 - 1.45 mm max height

SMALL OUTLINE TRANSISTOR



SOLDER PASTE EXAMPLE
BASED ON 0.125 mm THICK STENCIL
SCALE:15X

4214840/B 03/2018

NOTES: (continued)

8. Laser cutting apertures with trapezoidal walls and rounded corners may offer better paste release. IPC-7525 may have alternate design recommendations.
9. Board assembly site may have different recommendations for stencil design.

IMPORTANT NOTICE AND DISCLAIMER

TI PROVIDES TECHNICAL AND RELIABILITY DATA (INCLUDING DATASHEETS), DESIGN RESOURCES (INCLUDING REFERENCE DESIGNS), APPLICATION OR OTHER DESIGN ADVICE, WEB TOOLS, SAFETY INFORMATION, AND OTHER RESOURCES "AS IS" AND WITH ALL FAULTS, AND DISCLAIMS ALL WARRANTIES, EXPRESS AND IMPLIED, INCLUDING WITHOUT LIMITATION ANY IMPLIED WARRANTIES OF MERCHANTABILITY, FITNESS FOR A PARTICULAR PURPOSE OR NON-INFRINGEMENT OF THIRD PARTY INTELLECTUAL PROPERTY RIGHTS.

These resources are intended for skilled developers designing with TI products. You are solely responsible for (1) selecting the appropriate TI products for your application, (2) designing, validating and testing your application, and (3) ensuring your application meets applicable standards, and any other safety, security, or other requirements. These resources are subject to change without notice. TI grants you permission to use these resources only for development of an application that uses the TI products described in the resource. Other reproduction and display of these resources is prohibited. No license is granted to any other TI intellectual property right or to any third party intellectual property right. TI disclaims responsibility for, and you will fully indemnify TI and its representatives against, any claims, damages, costs, losses, and liabilities arising out of your use of these resources.

TI's products are provided subject to TI's Terms of Sale (www.ti.com/legal/termsofsale.html) or other applicable terms available either on ti.com or provided in conjunction with such TI products. TI's provision of these resources does not expand or otherwise alter TI's applicable warranties or warranty disclaimers for TI products.

Mailing Address: Texas Instruments, Post Office Box 655303, Dallas, Texas 75265
Copyright © 2019, Texas Instruments Incorporated

Looking for pricing, stock, or lifecycle information?

Click below to explore more details on WIN SOURCE:

 [View TPS3106E09DBVTG4](#) on WIN SOURCE

 [Texas Instruments](#) Information

Optimize Your Supply Chain with WIN SOURCE Solutions

-  Global Sourcing Solution
-  Obsolete Management
-  Cost Control Management
-  Shortage Management
-  Alternative Solution
-  Excess Inventory Management