



# THE DATASHEET OF TPS22976NDPUT



## TPS22976 5.7-V, 6-A, 14-mΩ On-Resistance Dual-Channel Load Switch

### 1 Features

- Integrated Dual-Channel Load Switch
- Input Voltage Range: 0.6 V to  $V_{BIAS}$
- $V_{BIAS}$  Voltage Range: 2.5 V to 5.7 V
- On-resistance
  - $R_{ON} = 14\text{ m}\Omega$  (Typical)  
at  $V_{IN} = 0.6\text{ V to }5\text{ V}$ ,  $V_{BIAS} = 5\text{ V}$
  - $R_{ON} = 18\text{ m}\Omega$  (Typical)  
at  $V_{IN} = 0.6\text{ V to }2.5\text{ V}$ ,  $V_{BIAS} = 2.5\text{ V}$
- 6-A Maximum Continuous Switch Current per Channel
- Quiescent Current
  - $37\text{ }\mu\text{A}$  (Typical, Both Channels)  
at  $V_{IN} = V_{BIAS} = 5\text{ V}$
  - $35\text{ }\mu\text{A}$  (Typical, Single Channel)  
at  $V_{IN} = V_{BIAS} = 5\text{ V}$
- Control Input Threshold Enables Use of 1.2-, 1.8-, 2.5-, and 3.3-V Logic
- Configurable Rise Time
- Thermal Shutdown
- Quick Output Discharge (QOD) (Optional)
- SON 14-Pin Package with Thermal Pad
- ESD Performance Tested per JESD 22
  - 2-kV HBM and 1-kV CDM

### 2 Applications

- Ultrabook™
- Notebooks and Netbooks
- Tablet PCs
- Set-top Boxes and Residential Gateways
- Telecom Systems
- Solid-State Drives (SSD)

### 3 Description

The TPS22976 product family consists of two devices: TPS22976 and TPS22976N. Each device is a dual-channel load switch with controlled turnon. The device contains two N-channel MOSFETs that can operate over an input voltage range of 0.6 V to 5.7 V, and can support a maximum continuous current of 6 A per channel. Each switch is independently controlled by an on and off input (ON1 and ON2), which can interface directly with low-voltage control signals. The TPS22976 is capable of thermal shutdown when the junction temperature is above the threshold, turning the switch off. The switch turns on again when the junction temperature stabilizes to a safe range. The TPS22976 also offers an optional integrated 230-Ω on-chip load resistor for quick output discharge when the switch is turned off.

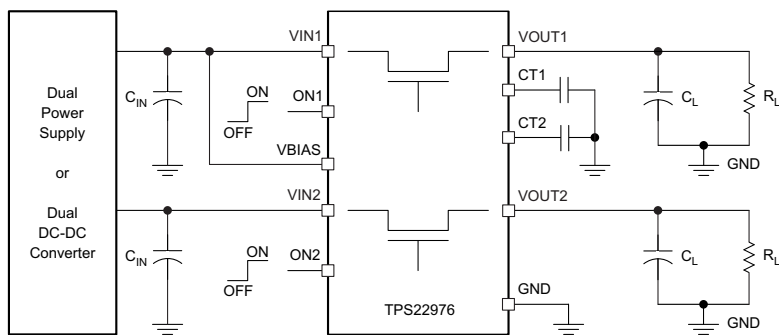
The TPS22976 is available in a small, space-saving 3-mm × 2-mm 14-SON package (DPU) with integrated thermal pad allowing for high power dissipation. The device is characterized for operation over the free-air temperature range of  $-40^{\circ}\text{C}$  to  $105^{\circ}\text{C}$ .

#### Device Information<sup>(1)</sup>

PART NUMBER	PACKAGE	BODY SIZE (NOM)
TPS22976	WSON (14)	3.00 mm × 2.00 mm
TPS22976N		

(1) For all available packages, see the orderable addendum at the end of the data sheet.

#### Application Circuit



Copyright © 2016, Texas Instruments Incorporated



## Table of Contents

<b>1</b>	<b>Features</b> .....	<b>1</b>	9.3	Feature Description.....	<b>16</b>
<b>2</b>	<b>Applications</b> .....	<b>1</b>	9.4	Device Functional Modes.....	<b>17</b>
<b>3</b>	<b>Description</b> .....	<b>1</b>	<b>10</b>	<b>Application and Implementation</b> .....	<b>18</b>
<b>4</b>	<b>Revision History</b> .....	<b>2</b>	10.1	Application Information.....	<b>18</b>
<b>5</b>	<b>Device Comparison Table</b> .....	<b>3</b>	10.2	Typical Application .....	<b>20</b>
<b>6</b>	<b>Pin Configuration and Functions</b> .....	<b>3</b>	<b>11</b>	<b>Power Supply Recommendations</b> .....	<b>23</b>
<b>7</b>	<b>Specifications</b> .....	<b>4</b>	<b>12</b>	<b>Layout</b> .....	<b>23</b>
7.1	Absolute Maximum Ratings .....	<b>4</b>	12.1	Layout Guidelines .....	<b>23</b>
7.2	ESD Ratings.....	<b>4</b>	12.2	Layout Example .....	<b>23</b>
7.3	Recommended Operating Conditions.....	<b>4</b>	12.3	Power Dissipation .....	<b>23</b>
7.4	Thermal Information .....	<b>4</b>	<b>13</b>	<b>Device and Documentation Support</b> .....	<b>24</b>
7.5	Electrical Characteristics— $V_{BIAS} = 5\text{ V}$ .....	<b>5</b>	13.1	Device Support.....	<b>24</b>
7.6	Electrical Characteristics— $V_{BIAS} = 2.5\text{ V}$ .....	<b>6</b>	13.2	Documentation Support .....	<b>24</b>
7.7	Switching Characteristics .....	<b>7</b>	13.3	Receiving Notification of Documentation Updates	<b>24</b>
7.8	Typical DC Characteristics.....	<b>8</b>	13.4	Community Resources.....	<b>24</b>
7.9	Typical AC Characteristics.....	<b>11</b>	13.5	Trademarks .....	<b>24</b>
<b>8</b>	<b>Parameter Measurement Information</b> .....	<b>14</b>	13.6	Electrostatic Discharge Caution.....	<b>24</b>
<b>9</b>	<b>Detailed Description</b> .....	<b>15</b>	13.7	Glossary .....	<b>24</b>
9.1	Overview .....	<b>15</b>	<b>14</b>	<b>Mechanical, Packaging, and Orderable Information</b> .....	<b>24</b>
9.2	Functional Block Diagram .....	<b>16</b>			

## 4 Revision History

Changes from Revision A (March 2017) to Revision B		Page
• Updated $V_{IH}$ in <a href="#">Recommended Operating Conditions</a> .....		<b>4</b>

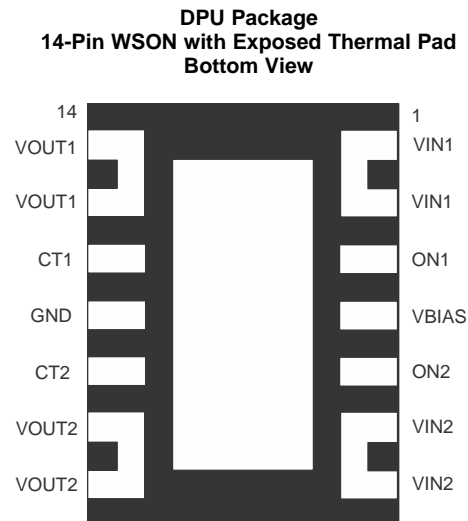
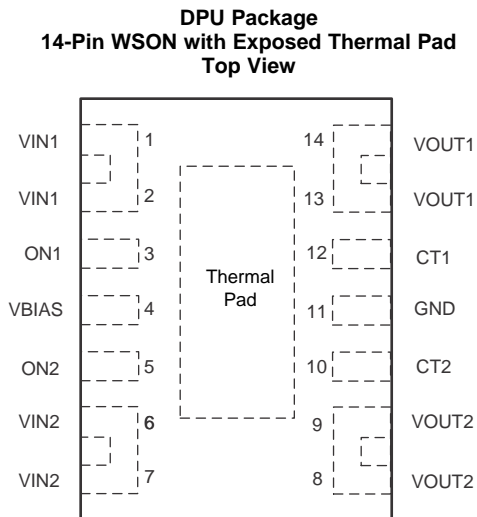
  

Changes from Original (February 2016) to Revision A		Page
• Updated statement for Equation 4 in <a href="#">Adjustable Rise Time</a> section from "CT = 0 pF" to "CT < 100 pF".....		<b>22</b>

## 5 Device Comparison Table

DEVICE	$R_{ON}$ AT $V_{IN} = V_{BIAS} = 5\text{ V}$ (TYPICAL)	QUICK OUTPUT DISCHARGE	MAXIMUM OUTPUT CURRENT	ENABLE
TPS22976	14 m $\Omega$	Yes	6 A	Active high
TPS22976N	14 m $\Omega$	No	6 A	Active high

## 6 Pin Configuration and Functions



### Pin Functions

PIN		I/O	DESCRIPTION
NO.	NAME		
1	VIN1	I	Switch 1 input. Recommended voltage range for these pins for optimal $R_{ON}$ performance is 0.6 V to $V_{BIAS}$ . Place an optional decoupling capacitor between these pins and GND to reduce $V_{IN1}$ dip during turnon of the channel. See the <a href="#">Application Information</a> section for more information
2			
3	ON1	I	Active-high switch 1 control input. Do not leave floating
4	VBIAS	I	Bias voltage. Power supply to the device. Recommended voltage range for this pin is 2.5 V to 5.7 V. See the <a href="#">Application Information</a> section
5	ON2	I	Active-high switch 2 control input. Do not leave floating
6	VIN2	I	Switch 2 input. Recommended voltage range for these pins for optimal $R_{ON}$ performance is 0.6 V to $V_{BIAS}$ . Place an optional decoupling capacitor between these pins and GND to reduce $V_{IN2}$ dip during turnon of the channel. See the <a href="#">Application Information</a> section for more information
7			
8	VOUT2	O	Switch 2 output
9			
10	CT2	O	Switch 2 slew rate control. Can be left floating. Capacitor used on this pin must be rated for a minimum of 25 V for desired rise time performance
11	GND	—	Ground
12	CT1	O	Switch 1 slew rate control. Can be left floating. Capacitor used on this pin must be rated for a minimum of 25 V for desired rise time performance
13	VOUT1	O	Switch 1 output
14			
—	Thermal pad	—	Thermal pad (exposed center pad) to alleviate thermal stress. Tie to GND. See the <a href="#">Layout</a> section for layout guidelines

## 7 Specifications

### 7.1 Absolute Maximum Ratings

Over operating free-air temperature range (unless otherwise noted)<sup>(1)</sup>

		MIN	MAX	UNIT <sup>(2)</sup>
V <sub>IN1,2</sub>	Input voltage	-0.3	6	V
V <sub>OUT1,2</sub>	Output voltage	-0.3	6	V
V <sub>ON1,2</sub>	ON-pin voltage	-0.3	6	V
V <sub>BIAS</sub>	Bias voltage	-0.3	6	V
I <sub>MAX</sub>	Maximum continuous switch current per channel		6	A
I <sub>PLS</sub>	Maximum pulsed switch current per channel, pulse < 300 μs, 3% duty cycle		8	A
T <sub>J</sub>	Maximum junction temperature		125	°C
T <sub>stg</sub>	Storage temperature	-65	150	°C

- (1) Stresses beyond those listed under *Absolute Maximum Ratings* may cause permanent damage to the device. These are stress ratings only, which do not imply functional operation of the device at these or any other conditions beyond those indicated under *Recommended Operating Conditions*. Exposure to absolute-maximum-rated conditions for extended periods may affect device reliability.
- (2) All voltage values are with respect to network ground terminal.

### 7.2 ESD Ratings

		VALUE	UNIT
V <sub>(ESD)</sub>	Electrostatic discharge	Human body model (HBM), per ANSI/ESDA/JEDEC JS-001 <sup>(1)</sup>	±2000
		Charged-device model (CDM), per JEDEC specification JESD22-C101 <sup>(2)</sup>	±1000

- (1) JEDEC document JEP155 states that 500-V HBM allows safe manufacturing with a standard ESD control process.
- (2) JEDEC document JEP157 states that 250-V CDM allows safe manufacturing with a standard ESD control process.

### 7.3 Recommended Operating Conditions

		MIN	MAX	UNIT	
V <sub>IN1,2</sub>	Input voltage	0.6	V <sub>BIAS</sub>	V	
V <sub>BIAS</sub>	Bias voltage	2.5	5.7	V	
V <sub>ON1,2</sub>	ON voltage	0	5.7	V	
V <sub>OUT1,2</sub>	Output voltage		V <sub>IN</sub>	V	
V <sub>IH</sub>	High-level input voltage, ON	V <sub>BIAS</sub> = 2.5 V to 5 V, T <sub>A</sub> < 85°C	1.05	5.7	V
		V <sub>BIAS</sub> = 2.5 V to 5.7 V, T <sub>A</sub> < 105°C	1.2	5.7	
V <sub>IL</sub>	Low-level input voltage, ON	V <sub>BIAS</sub> = 2.5 V to 5.7 V	0	0.5	V
C <sub>IN1,2</sub>	Input capacitor		1 <sup>(1)</sup>		μF
T <sub>A</sub>	Operating free-air temperature <sup>(2)</sup>	-40	105		°C

- (1) See the [Input Capacitor \(Optional\)](#) section.
- (2) In applications where high power dissipation and/or poor package thermal resistance is present, the maximum ambient temperature may have to be derated. Maximum ambient temperature [T<sub>A(max)</sub>] is dependent on the maximum operating junction temperature [T<sub>J(max)</sub>], the maximum power dissipation of the device in the application [P<sub>D(max)</sub>], and the junction-to-ambient thermal resistance of the part/package in the application (θ<sub>JA</sub>), as given by the following equation: T<sub>A(max)</sub> = T<sub>J(max)</sub> - (θ<sub>JA</sub> × P<sub>D(max)</sub>)

### 7.4 Thermal Information

THERMAL METRIC <sup>(1)</sup>		TPS22976	UNIT
		DPU (WSON)	
		14 PINS	
R <sub>θJA</sub>	Junction-to-ambient thermal resistance	50.8	°C/W
R <sub>θJC(top)</sub>	Junction-to-case (top) thermal resistance	52.3	°C/W
R <sub>θJB</sub>	Junction-to-board thermal resistance	18.4	°C/W
ψ <sub>JT</sub>	Junction-to-top characterization parameter	1.6	°C/W

- (1) For more information about traditional and new thermal metrics, see the [Semiconductor and IC Package Thermal Metrics](#) application report.

**Thermal Information (continued)**

THERMAL METRIC <sup>(1)</sup>		TPS22976	
		DPU (WSON)	
		14 PINS	
UNIT			
$\Psi_{JB}$	Junction-to-board characterization parameter	18.6	°C/W
$R_{\theta JC(bot)}$	Junction-to-case (bottom) thermal resistance	6.5	°C/W

**7.5 Electrical Characteristics— $V_{BIAS} = 5\text{ V}$** 

Unless otherwise noted, the specifications in the following table applies where  $V_{BIAS} = 5\text{ V}$ . Typical values are for  $T_A = 25^\circ\text{C}$

PARAMETER		TEST CONDITIONS	$T_A$	MIN	TYP	MAX	UNIT
<b>POWER SUPPLIES AND CURRENTS</b>							
$I_{Q,VBIAS}$	$V_{BIAS}$ quiescent current (both channels)	$I_{OUT1} = I_{OUT2} = 0\text{ mA}$ , $V_{IN1,2} = V_{ON1,2} = 5\text{ V}$	–40°C to +85°C	37	48		$\mu\text{A}$
			–40°C to +105°C		49		
$I_{Q,VBIAS}$	$V_{BIAS}$ quiescent current (single channel)	$I_{OUT1} = I_{OUT2} = 0\text{ mA}$ , $V_{ON2} = 0\text{ V}$ $V_{IN1,2} = V_{ON1} = 5\text{ V}$	–40°C to +85°C	35	43		$\mu\text{A}$
			–40°C to +105°C		44		
$I_{SD,VBIAS}$	$V_{BIAS}$ shutdown current	$V_{ON1,2} = 0\text{ V}$ , $V_{VOUT1,2} = 0\text{ V}$	–40°C to +105°C	1.37	2.3		$\mu\text{A}$
$I_{SD,VIN}$	$V_{IN}$ shutdown current (per channel)	$V_{ON} = 0\text{ V}$ , $V_{OUT} = 0\text{ V}$	$V_{IN} = 5\text{ V}$	–40°C to +85°C	.005	5.5	$\mu\text{A}$
				–40°C to +105°C		11.3	
			$V_{IN} = 3.3\text{ V}$	–40°C to +85°C	.002	1.4	
				–40°C to +105°C		3.4	
			$V_{IN} = 1.8\text{ V}$	–40°C to +85°C	.002	0.5	
				–40°C to +105°C		1.4	
$I_{ON}$	ON-pin input leakage current	$V_{ON} = 5.5\text{ V}$	–40°C to +85°C		0.1		$\mu\text{A}$
			–40°C to +105°C				
<b>RESISTANCE CHARACTERISTICS</b>							
$R_{ON}$	On-state resistance (per channel)	$I_{OUT} = -200\text{ mA}$	$V_{IN} = 5\text{ V}$	25°C	14	18	$\text{m}\Omega$
				–40°C to +85°C		22	
				–40°C to +105°C		23	
			$V_{IN} = 3.3\text{ V}$	25°C	14	18	
				–40°C to +85°C		22	
				–40°C to +105°C		23	
			$V_{IN} = 1.8\text{ V}$	25°C	14	18	
				–40°C to +85°C		22	
				–40°C to +105°C		23	
			$V_{IN} = 1.2\text{ V}$	25°C	14	18	
				–40°C to +85°C		22	
				–40°C to +105°C		23	
			$V_{IN} = 1.05\text{ V}$	25°C	14	18	
				–40°C to +85°C		22	
–40°C to +105°C		23					
$V_{IN} = 0.6\text{ V}$	25°C	14	18				
	–40°C to +85°C		22				
	–40°C to +105°C		23				
$V_{ON,HYS}$	ON-pin hysteresis	$V_{IN} = 5\text{ V}$	25°C	90		$\text{mV}$	
$R_{PD}^{(1)}$	Output pulldown resistance	$V_{IN} = V_{OUT} = 5\text{ V}$ , $V_{ON} = 0\text{ V}$	–40°C to +105°C	230	280	$\Omega$	
$T_{SD}$	Thermal shutdown	Junction temperature rising	—	160		°C	
$T_{SD,HYS}$	Thermal-shutdown hysteresis	Junction temperature falling	—	20		°C	

(1) Not present in TPS22976N

## 7.6 Electrical Characteristics— $V_{BIAS} = 2.5\text{ V}$

Unless otherwise noted, the specifications in the following table applies where  $V_{BIAS} = 2.5\text{ V}$ . Typical values are for  $T_A = 25^\circ\text{C}$

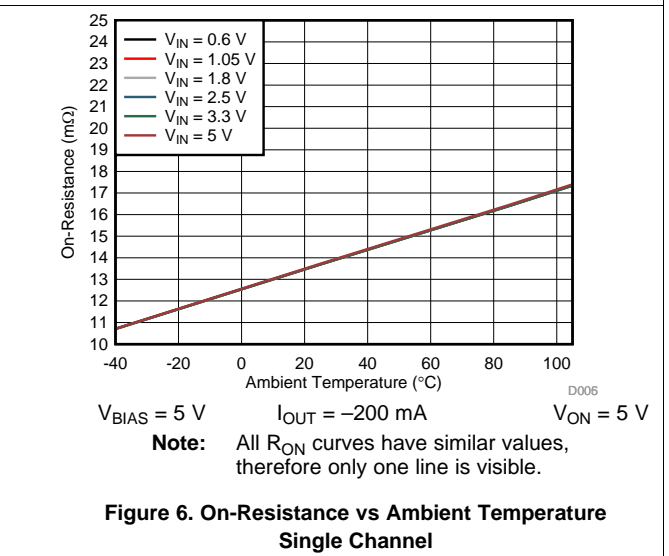
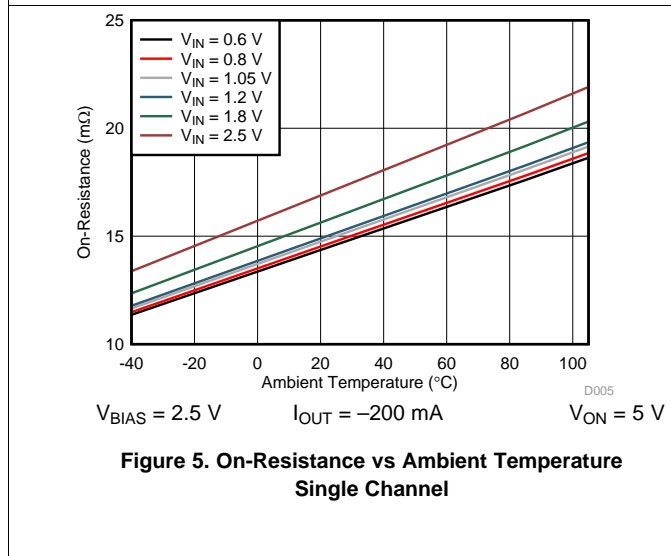
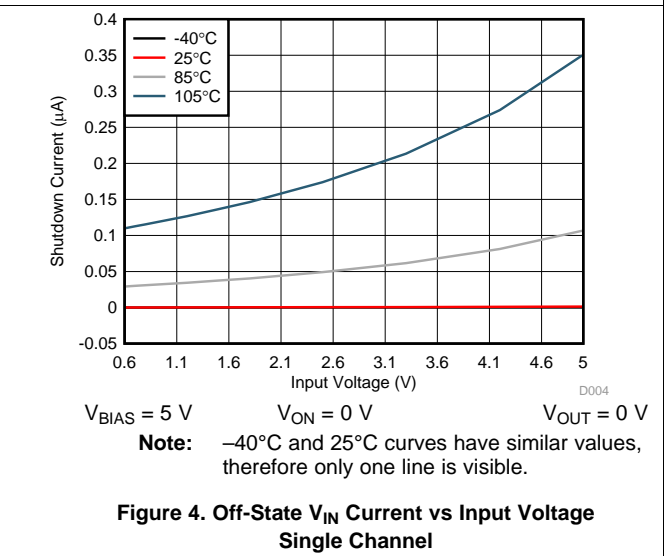
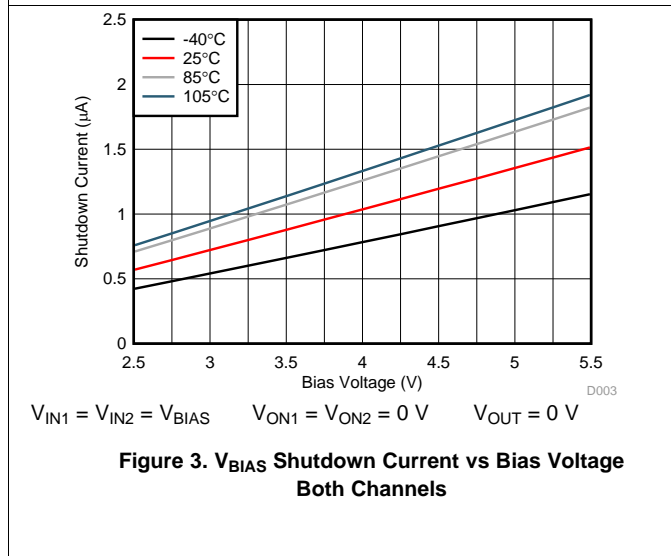
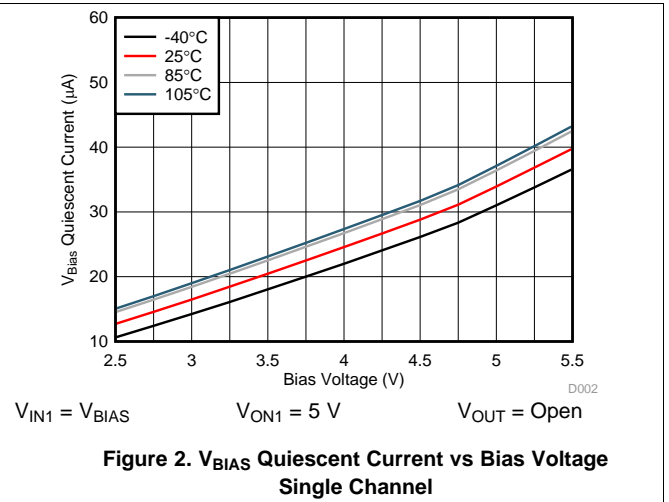
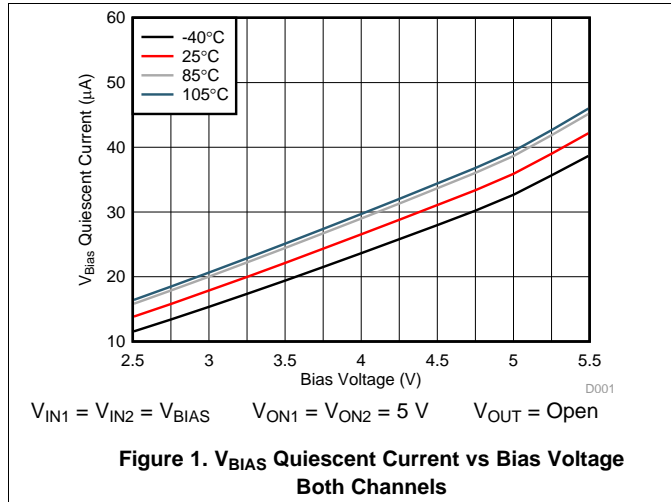
PARAMETER		TEST CONDITIONS	$T_A$	MIN	TYP	MAX	UNIT			
<b>POWER SUPPLIES AND CURRENTS</b>										
$I_{Q,VBIAS}$	$V_{BIAS}$ quiescent current (both channels)	$I_{OUT1} = I_{OUT2} = 0\text{ mA}$ , $V_{IN1,2} = V_{ON1,2} = 2.5\text{ V}$	$-40^\circ\text{C}$ to $+85^\circ\text{C}$	15	20		$\mu\text{A}$			
			$-40^\circ\text{C}$ to $+105^\circ\text{C}$		20					
$I_{Q,VBIAS}$	$V_{BIAS}$ quiescent current (single channel)	$I_{OUT1} = I_{OUT2} = 0\text{ mA}$ , $V_{ON2} = 0\text{ V}$ $V_{IN1,2} = V_{ON1} = 2.5\text{ V}$	$-40^\circ\text{C}$ to $+85^\circ\text{C}$	14	19		$\mu\text{A}$			
			$-40^\circ\text{C}$ to $+105^\circ\text{C}$		19					
$I_{SD,VBIAS}$	$V_{BIAS}$ shutdown current	$V_{ON1,2} = 0\text{ V}$ , $V_{VOUT1,2} = 0\text{ V}$	$-40^\circ\text{C}$ to $+105^\circ\text{C}$	.58	1.1		$\mu\text{A}$			
$I_{SD,VIN}$	$V_{IN}$ shutdown current (per channel)	$V_{ON} = 0\text{ V}$ , $V_{OUT} = 0\text{ V}$	$V_{IN} = 2.5\text{ V}$	$-40^\circ\text{C}$ to $+85^\circ\text{C}$	.005	0.8	$\mu\text{A}$			
				$-40^\circ\text{C}$ to $+105^\circ\text{C}$		2.1				
			$V_{IN} = 1.8\text{ V}$	$-40^\circ\text{C}$ to $+85^\circ\text{C}$	.002	0.5				
				$-40^\circ\text{C}$ to $+105^\circ\text{C}$		1.4				
			$V_{IN} = 1.05\text{ V}$	$-40^\circ\text{C}$ to $+85^\circ\text{C}$	.002	0.3				
				$-40^\circ\text{C}$ to $+105^\circ\text{C}$		1				
			$V_{IN} = 0.6\text{ V}$	$-40^\circ\text{C}$ to $+85^\circ\text{C}$	.001	0.3				
				$-40^\circ\text{C}$ to $+105^\circ\text{C}$		0.8				
$I_{ON}$	ON-pin input leakage current	$V_{ON} = 5.5\text{ V}$	$-40^\circ\text{C}$ to $+105^\circ\text{C}$		0.1		$\mu\text{A}$			
<b>RESISTANCE CHARACTERISTICS</b>										
$R_{ON}$	On-state resistance (per channel)	$I_{OUT} = -200\text{ mA}$	$V_{IN} = 2.5\text{ V}$	25°C	18	23	$\text{m}\Omega$			
				$-40^\circ\text{C}$ to $+85^\circ\text{C}$		28				
				$-40^\circ\text{C}$ to $+105^\circ\text{C}$		30				
			$V_{IN} = 1.8\text{ V}$	25°C	16	23				
				$-40^\circ\text{C}$ to $+85^\circ\text{C}$		28				
				$-40^\circ\text{C}$ to $+105^\circ\text{C}$		29				
			$V_{IN} = 1.5\text{ V}$	25°C	16	22				
				$-40^\circ\text{C}$ to $+85^\circ\text{C}$		27				
				$-40^\circ\text{C}$ to $+105^\circ\text{C}$		28				
			$V_{IN} = 1.2\text{ V}$	25°C	16	21				
				$-40^\circ\text{C}$ to $+85^\circ\text{C}$		26				
				$-40^\circ\text{C}$ to $+105^\circ\text{C}$		28				
			$V_{IN} = 1.05\text{ V}$	25°C	16	21				
				$-40^\circ\text{C}$ to $+85^\circ\text{C}$		25				
				$-40^\circ\text{C}$ to $+105^\circ\text{C}$		27				
			$V_{IN} = 0.6\text{ V}$	25°C	15	20				
				$-40^\circ\text{C}$ to $+85^\circ\text{C}$		25				
				$-40^\circ\text{C}$ to $+105^\circ\text{C}$		26				
			$V_{ON,HYS}$	ON-pin hysteresis	$V_{IN} = 2.5\text{ V}$	25°C		70		$\text{mV}$
			$R_{PD}^{(1)}$	Output pulldown resistance	$V_{IN} = V_{OUT} = 2.5\text{ V}$ , $V_{ON} = 0\text{ V}$	$-40^\circ\text{C}$ to $+105^\circ\text{C}$		250	330	$\Omega$
			$T_{SD}$	Thermal shutdown	Junction temperature rising	—		160		$^\circ\text{C}$
			$T_{SD,HYS}$	Thermal-shutdown hysteresis	Junction temperature falling	—		20		$^\circ\text{C}$

(1) Not present in TPS22976N

## 7.7 Switching Characteristics

PARAMETER		TEST CONDITION	MIN	TYP	MAX	UNIT
<b><math>V_{IN} = V_{ON} = V_{BIAS} = 5\text{ V}</math>, <math>T_A = 25^\circ\text{C}</math> (unless otherwise noted)</b>						
$t_{ON}$	Turnon time	$R_L = 10\ \Omega$ , $C_L = 0.1\ \mu\text{F}$ , $C_T = 1000\ \text{pF}$		1490		$\mu\text{s}$
$t_{OFF}$	Turnoff time	$R_L = 10\ \Omega$ , $C_L = 0.1\ \mu\text{F}$ , $C_T = 1000\ \text{pF}$		3		
$t_R$	$V_{OUT}$ rise time	$R_L = 10\ \Omega$ , $C_L = 0.1\ \mu\text{F}$ , $C_T = 1000\ \text{pF}$		1770		
$t_F$	$V_{OUT}$ fall time	$R_L = 10\ \Omega$ , $C_L = 0.1\ \mu\text{F}$ , $C_T = 1000\ \text{pF}$		2		
$t_D$	ON delay time	$R_L = 10\ \Omega$ , $C_L = 0.1\ \mu\text{F}$ , $C_T = 1000\ \text{pF}$		620		
<b><math>V_{IN} = 0.6\ \text{V}</math>, <math>V_{ON} = V_{BIAS} = 5\ \text{V}</math>, <math>T_A = 25^\circ\text{C}</math> (unless otherwise noted)</b>						
$t_{ON}$	Turnon time	$R_L = 10\ \Omega$ , $C_L = 0.1\ \mu\text{F}$ , $C_T = 1000\ \text{pF}$		620		$\mu\text{s}$
$t_{OFF}$	Turnoff time	$R_L = 10\ \Omega$ , $C_L = 0.1\ \mu\text{F}$ , $C_T = 1000\ \text{pF}$		3		
$t_R$	$V_{OUT}$ rise time	$R_L = 10\ \Omega$ , $C_L = 0.1\ \mu\text{F}$ , $C_T = 1000\ \text{pF}$		285		
$t_F$	$V_{OUT}$ fall time	$R_L = 10\ \Omega$ , $C_L = 0.1\ \mu\text{F}$ , $C_T = 1000\ \text{pF}$		2		
$t_D$	ON delay time	$R_L = 10\ \Omega$ , $C_L = 0.1\ \mu\text{F}$ , $C_T = 1000\ \text{pF}$		460		
<b><math>V_{IN} = 2.5\ \text{V}</math>, <math>V_{ON} = 5\ \text{V}</math>, <math>V_{BIAS} = 2.5\ \text{V}</math>, <math>T_A = 25^\circ\text{C}</math> (unless otherwise noted)</b>						
$t_{ON}$	Turnon time	$R_L = 10\ \Omega$ , $C_L = 0.1\ \mu\text{F}$ , $C_T = 1000\ \text{pF}$		2350		$\mu\text{s}$
$t_{OFF}$	Turnoff time	$R_L = 10\ \Omega$ , $C_L = 0.1\ \mu\text{F}$ , $C_T = 1000\ \text{pF}$		4		
$t_R$	$V_{OUT}$ rise time	$R_L = 10\ \Omega$ , $C_L = 0.1\ \mu\text{F}$ , $C_T = 1000\ \text{pF}$		2275		
$t_F$	$V_{OUT}$ fall time	$R_L = 10\ \Omega$ , $C_L = 0.1\ \mu\text{F}$ , $C_T = 1000\ \text{pF}$		2		
$t_D$	ON delay time	$R_L = 10\ \Omega$ , $C_L = 0.1\ \mu\text{F}$ , $C_T = 1000\ \text{pF}$		1210		
<b><math>V_{IN} = 0.6\ \text{V}</math>, <math>V_{ON} = 5\ \text{V}</math>, <math>V_{BIAS} = 2.5\ \text{V}</math>, <math>T_A = 25^\circ\text{C}</math> (unless otherwise noted)</b>						
$t_{ON}$	Turnon time	$R_L = 10\ \Omega$ , $C_L = 0.1\ \mu\text{F}$ , $C_T = 1000\ \text{pF}$		1410		$\mu\text{s}$
$t_{OFF}$	Turnoff time	$R_L = 10\ \Omega$ , $C_L = 0.1\ \mu\text{F}$ , $C_T = 1000\ \text{pF}$		5		
$t_R$	$V_{OUT}$ rise time	$R_L = 10\ \Omega$ , $C_L = 0.1\ \mu\text{F}$ , $C_T = 1000\ \text{pF}$		700		
$t_F$	$V_{OUT}$ fall time	$R_L = 10\ \Omega$ , $C_L = 0.1\ \mu\text{F}$ , $C_T = 1000\ \text{pF}$		2		
$t_D$	ON delay time	$R_L = 10\ \Omega$ , $C_L = 0.1\ \mu\text{F}$ , $C_T = 1000\ \text{pF}$		1030		

## 7.8 Typical DC Characteristics



Typical DC Characteristics (continued)

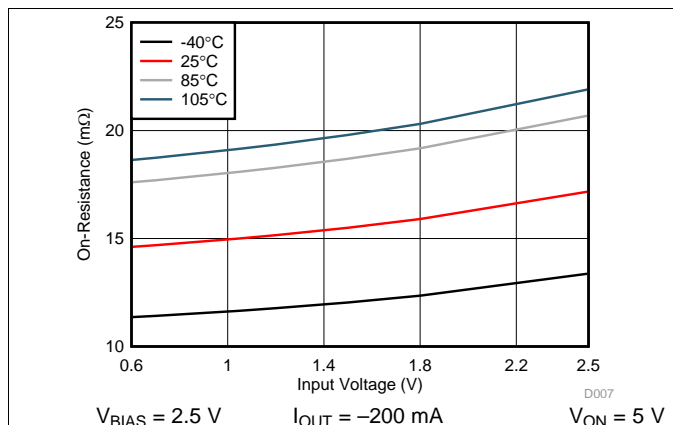


Figure 7. On-Resistance vs Input Voltage Single Channel - Across Ambient Temperatures

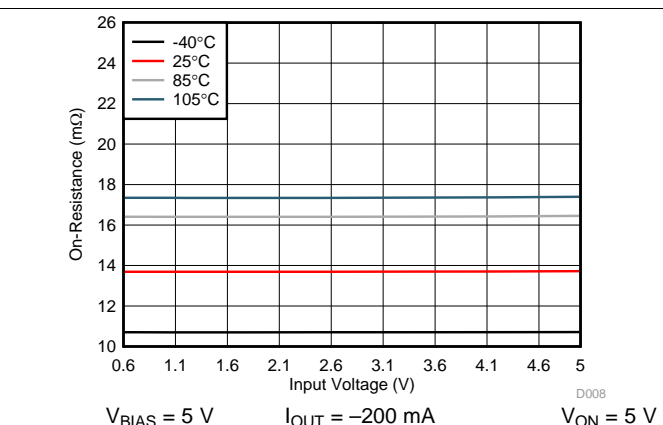
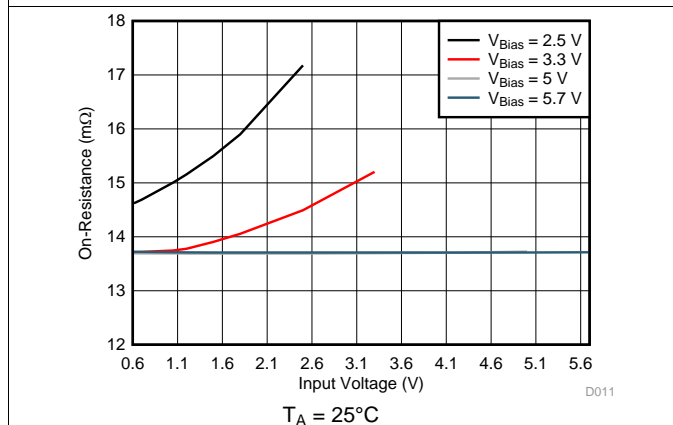


Figure 8. On-Resistance vs Input Voltage Single Channel - Across Ambient Temperatures



Note:  $V_{BIAS} = 5\text{ V}$  and  $5.7\text{ V}$  curves have similar values, therefore only one line is visible.

Figure 9. On-Resistance vs Input Voltage Single Channel - Across  $V_{BIAS}$

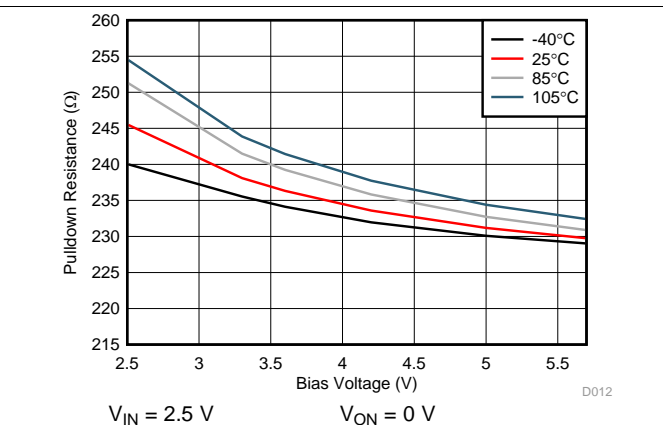


Figure 10. Pulldown Resistance vs Bias Voltage Single Channel

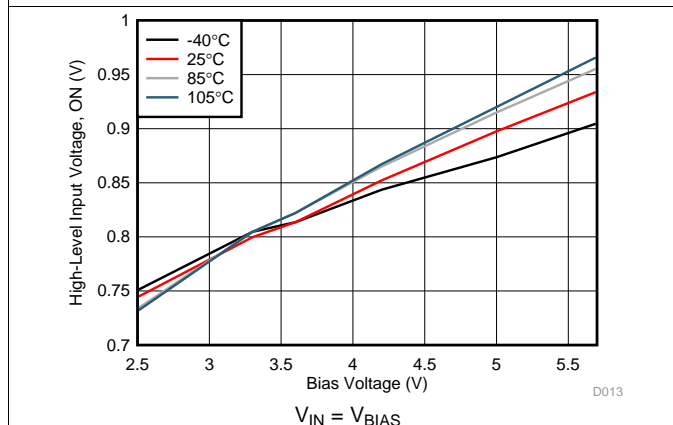


Figure 11. High-Level Input Voltage vs Bias Voltage

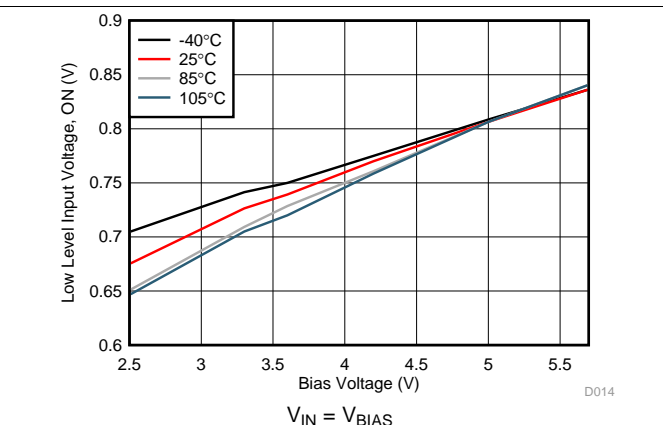
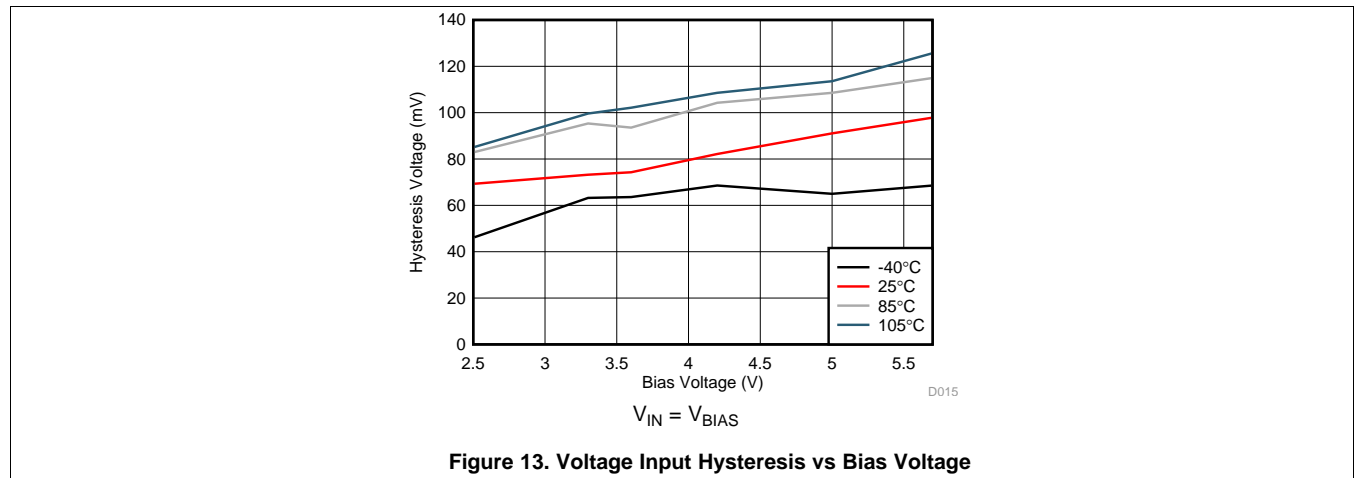


Figure 12. Low-Level Input Voltage vs Bias Voltage

**Typical DC Characteristics (continued)**



### 7.9 Typical AC Characteristics

$T_A = 25^\circ\text{C}$ ,  $C_T = 1000\text{ pF}$ ,  $C_{IN} = 1\text{ }\mu\text{F}$ ,  $C_L = 0.1\text{ }\mu\text{F}$ ,  $R_L = 10\text{ }\Omega$ ,  $V_{ON} = 5\text{ V}$

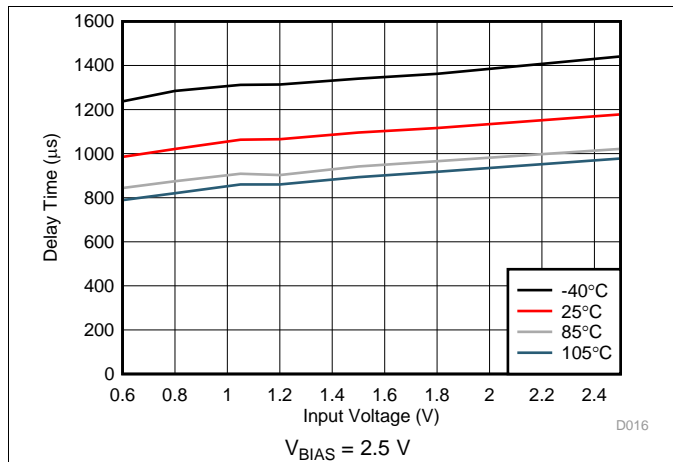


Figure 14. Delay Time vs Input Voltage

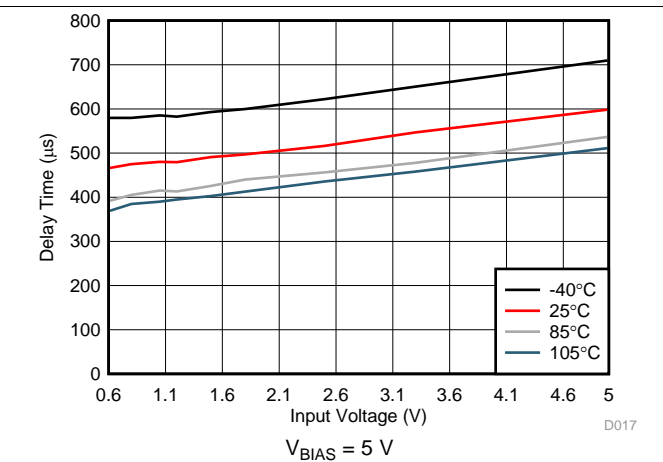


Figure 15. Delay Time vs Input Voltage

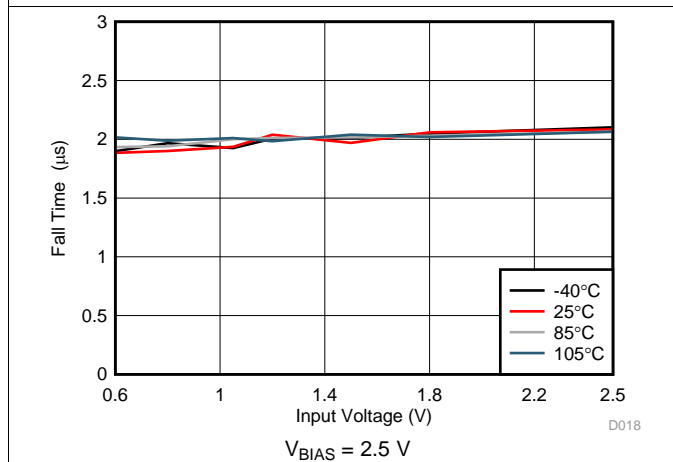


Figure 16. Fall Time vs Input Voltage

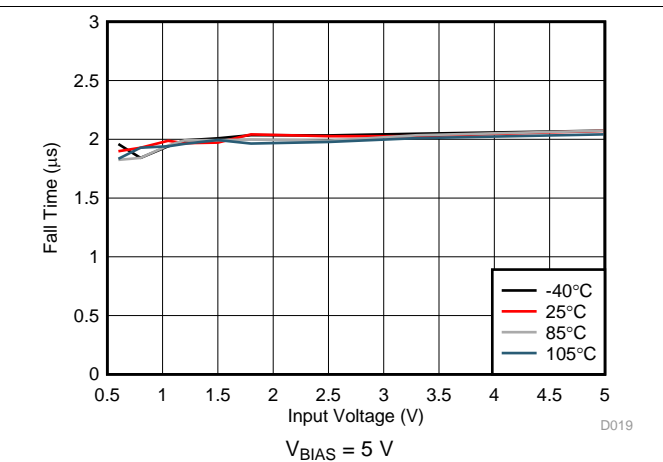


Figure 17. Fall Time vs Input Voltage

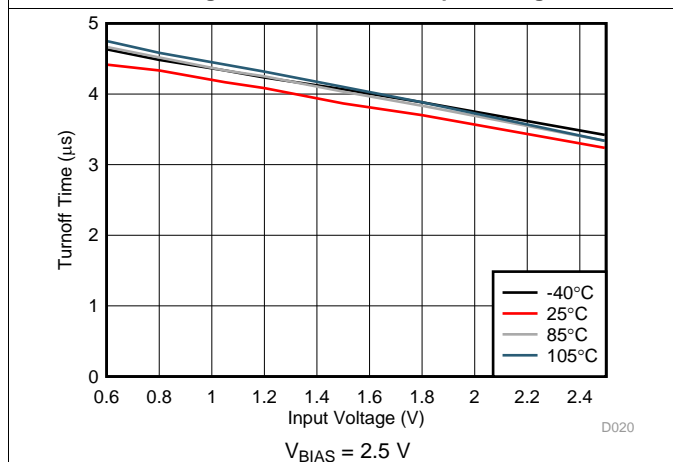


Figure 18. Turnoff Time vs Input Voltage

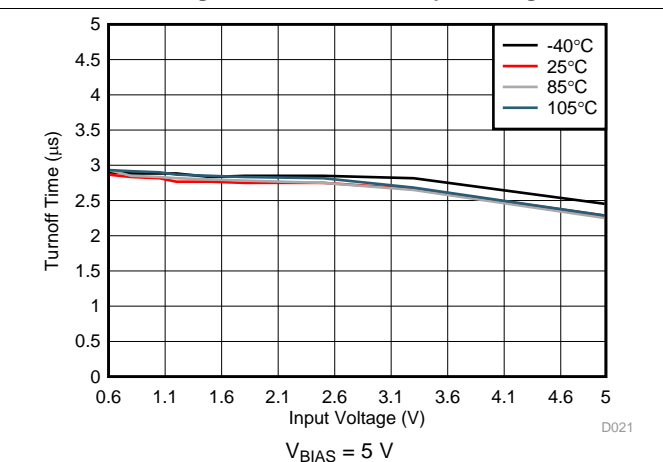


Figure 19. Turnoff Time vs Input Voltage

Typical AC Characteristics (continued)

$T_A = 25^\circ\text{C}$ ,  $C_T = 1000\text{ pF}$ ,  $C_{IN} = 1\text{ }\mu\text{F}$ ,  $C_L = 0.1\text{ }\mu\text{F}$ ,  $R_L = 10\text{ }\Omega$ ,  $V_{ON} = 5\text{ V}$

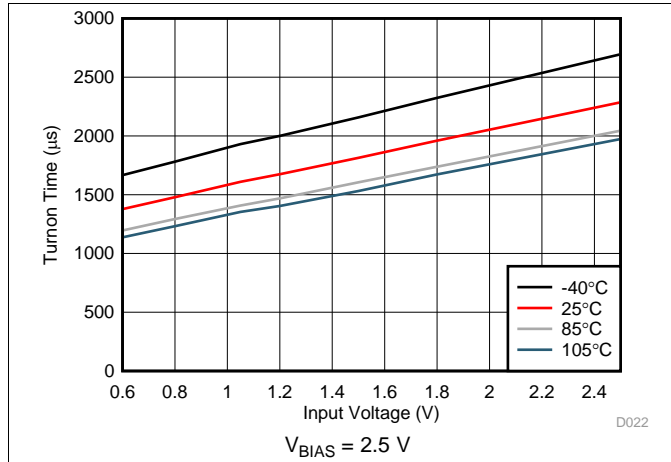


Figure 20. Turnon Time vs Input Voltage

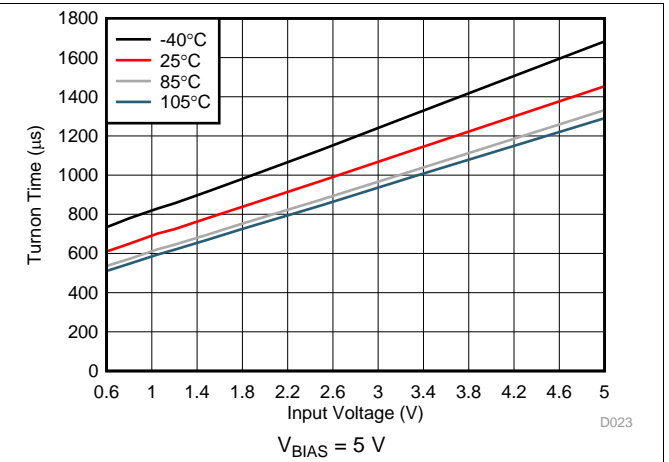


Figure 21. Turnon Time vs Input Voltage

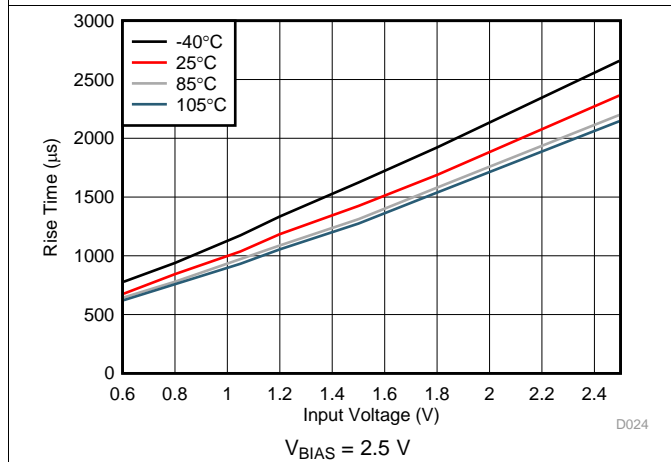


Figure 22. Rise Time vs Input Voltage

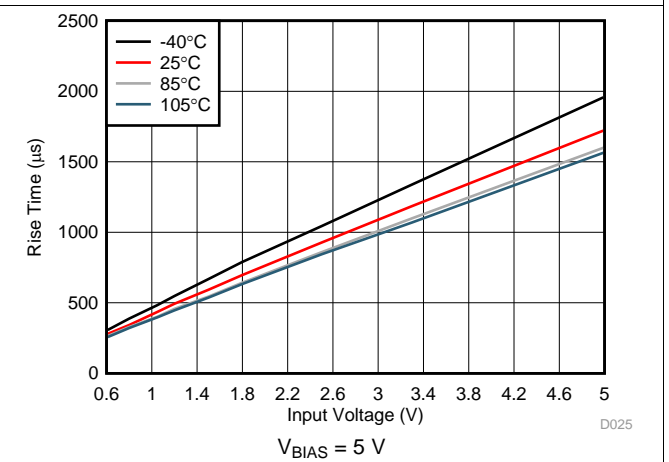


Figure 23. Rise Time vs Input Voltage

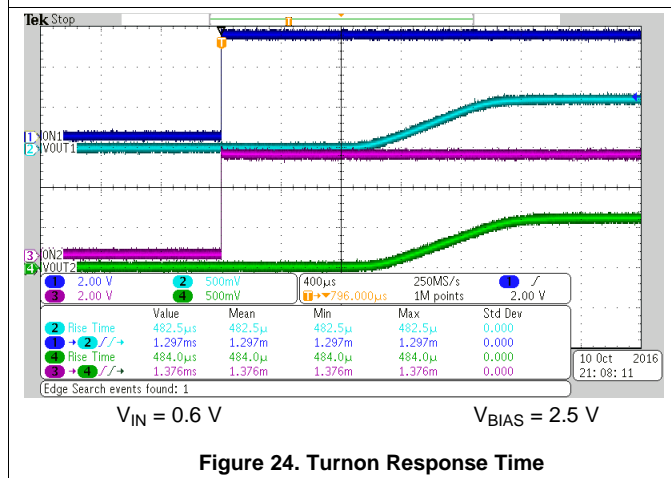


Figure 24. Turnon Response Time

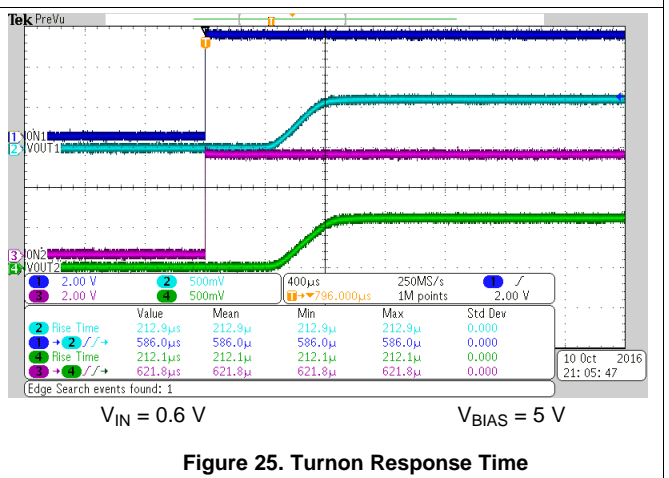
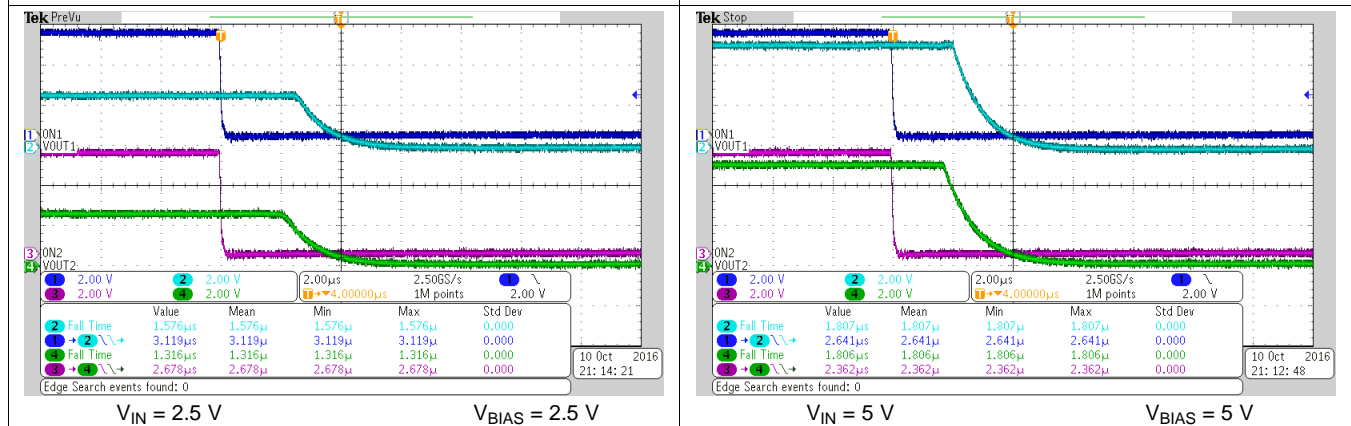
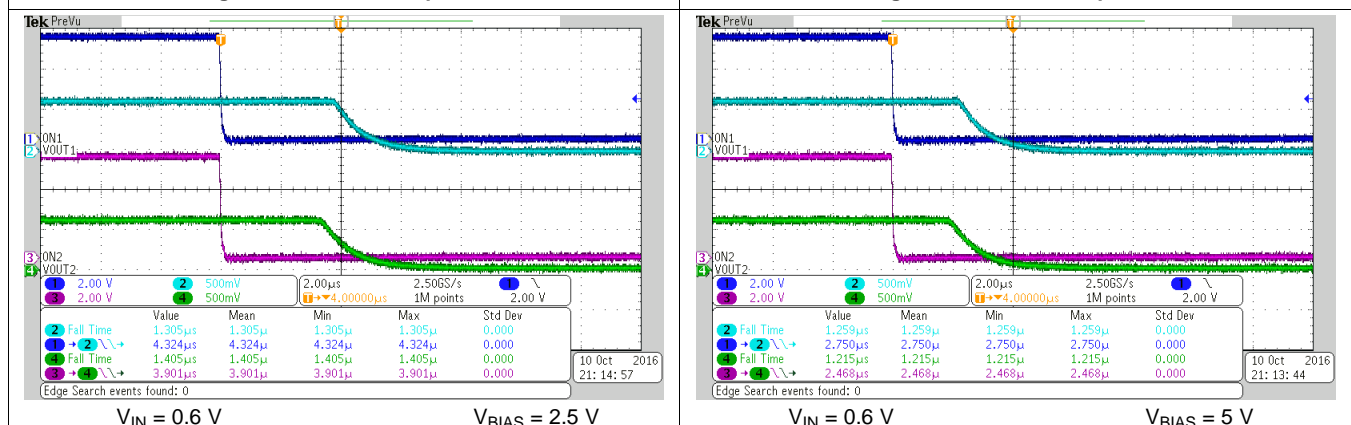
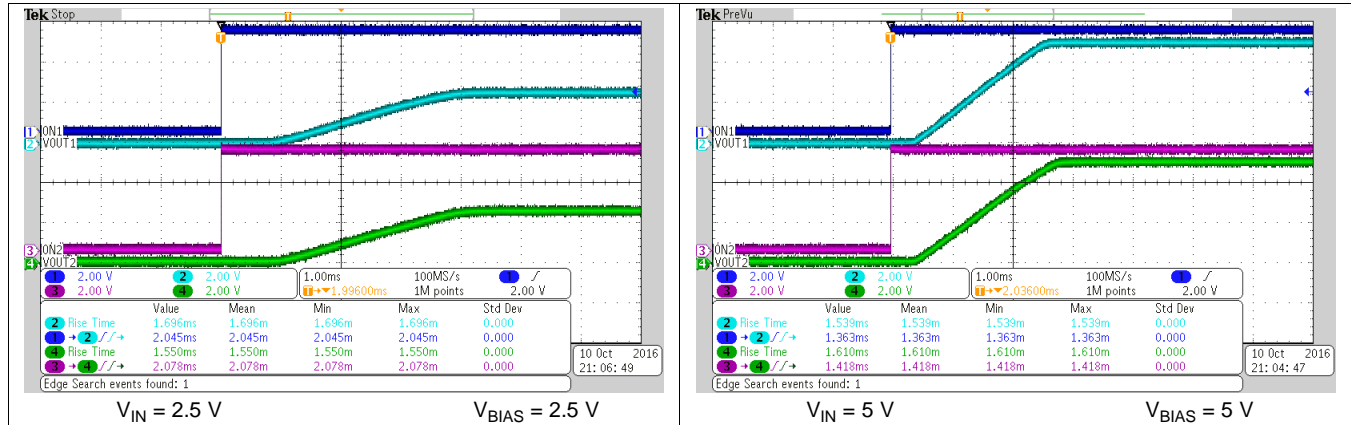


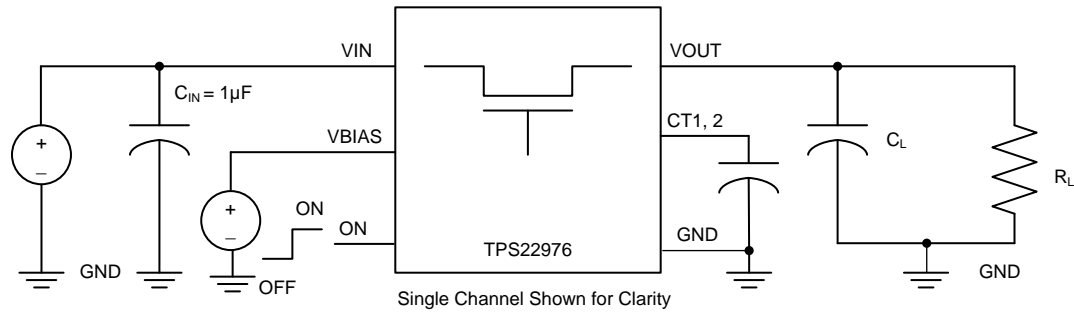
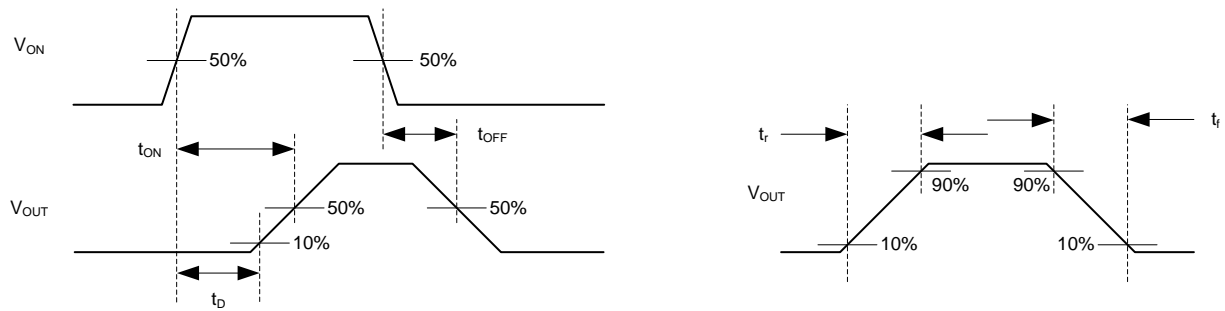
Figure 25. Turnon Response Time

Typical AC Characteristics (continued)

$T_A = 25^\circ\text{C}$ ,  $C_T = 1000\text{ pF}$ ,  $C_{IN} = 1\text{ }\mu\text{F}$ ,  $C_L = 0.1\text{ }\mu\text{F}$ ,  $R_L = 10\text{ }\Omega$ ,  $V_{ON} = 5\text{ V}$



## 8 Parameter Measurement Information


**Figure 32. Test Circuit**

**Figure 33.  $t_{ON}$  and  $t_{OFF}$  Waveforms**

## 9 Detailed Description

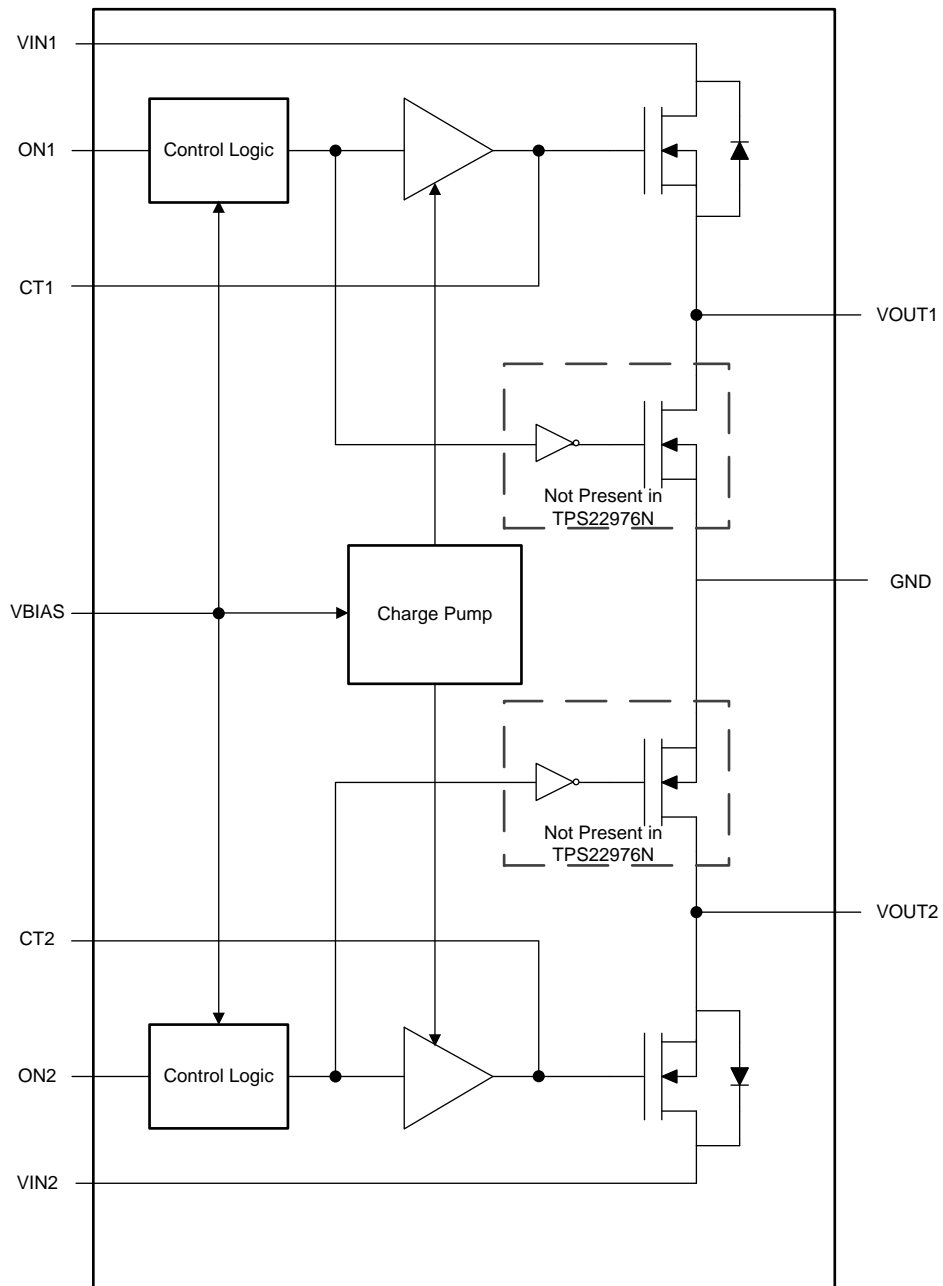
### 9.1 Overview

The TPS22976 is a 5.7-V, dual-channel, 14-m $\Omega$  (typical)  $R_{ON}$  load switch in a 14-pin WSON package. Each channel can support a maximum continuous current of 6 A and is controlled by an on and off GPIO-compatible input. To reduce the voltage drop in high current rails, the device implements N-channel MOSFETs. Note that the ON pins must be connected and cannot be left floating. The device has a configurable slew rate for applications that require specific rise-time, which controls the inrush current. By controlling the inrush current, power supply sag can be reduced during turnon. Furthermore, the slew rate is proportional to the capacitor on the CT pin. See the [Adjustable Rise Time](#) section to determine the correct CT value for a desired rise time.

The internal circuitry is powered by the  $V_{BIAS}$  pin, which supports voltages from 2.5 V to 5.7 V. This circuitry includes the charge pump, QOD (optional), and control logic. When a voltage is applied to  $V_{BIAS}$ , and the  $ON_{1,2}$  pins transition to a low state, the QOD functionality is activated. This connects  $V_{OUT1}$  and  $V_{OUT2}$  to ground through the on-chip resistor. The typical pulldown resistance ( $R_{PD}$ ) is 230  $\Omega$ .

During the off state, the device prevents downstream circuits from pulling high standby current from the supply. The integrated control logic, driver, power supply, and output discharge FET eliminates the need for any external components, reducing solution size and bill of materials (BOM) count.

## 9.2 Functional Block Diagram



Copyright © 2016, Texas Instruments Incorporated

Figure 34. TPS22976 Functional Block Diagram

## 9.3 Feature Description

### 9.3.1 ON and OFF Control

The ON pins control the state of the switch. Asserting ON high enables the switch. ON is active high with a low threshold, making it capable of interfacing with low-voltage signals. The ON pin is compatible with standard GPIO logic threshold. It can be used with any microcontroller with 1.2 V or higher GPIO voltage. This pin cannot be left floating and must be tied either high or low for proper functionality.

## Feature Description (continued)

### 9.3.2 Input Capacitor (Optional)

To limit the voltage drop on the input supply caused by transient inrush currents when the switch turns on into a discharged load capacitor, a capacitor needs to be placed between VIN and GND. A 1- $\mu$ F ceramic capacitor, C<sub>IN</sub>, placed close to the pins is usually sufficient. Higher values of C<sub>IN</sub> can be used to further reduce the voltage drop during high-current application. When switching heavy loads, it is recommended to have an input capacitor about 10 times higher than the output capacitor to avoid excessive voltage drop.

### 9.3.3 Output Capacitor (Optional)

Due to the integrated body diode in the NMOS switch, a C<sub>IN</sub> greater than C<sub>L</sub> is highly recommended. A C<sub>L</sub> greater than C<sub>IN</sub> can cause V<sub>OUT</sub> to exceed V<sub>IN</sub> when the system supply is removed. This could result in current flow through the body diode from V<sub>OUT</sub> to V<sub>IN</sub>. A C<sub>IN</sub> to C<sub>L</sub> ratio of 10 to 1 is recommended for minimizing V<sub>IN</sub> dip caused by inrush currents during startup, however a 10 to 1 ratio for capacitance is not required for proper functionality of the device. A ratio smaller than 10 to 1 (such as 1 to 1) could cause slightly more V<sub>IN</sub> dip upon turnon due to inrush currents. This can be mitigated by increasing the capacitance on the CT pin for a longer rise time. (See the [Adjustable Rise Time](#) section).

### 9.3.4 Quick Output Discharge (QOD) (Not Present in TPS22976N)

The TPS22976 includes a QOD feature. When the switch is disabled, an internal discharge resistance is connected between V<sub>OUT</sub> and GND to remove the remaining charge from the output. This resistance prevents the output from floating while the switch is disabled. For best results, it is recommended that the device gets disabled before V<sub>BIAS</sub> falls below the minimum recommended voltage.

### 9.3.5 Thermal Shutdown

Thermal Shutdown protects the part from internally or externally generated excessive temperatures. When the device temperature exceeds T<sub>SD</sub> (typical 160°C), the switch is turned off. The switch automatically turns on again if the temperature of the die drops 20 degrees below the T<sub>SD</sub> threshold.

## 9.4 Device Functional Modes

[Table 1](#) lists the TPS22976 functions.

**Table 1. TPS22976 Functions Table**

ON	VIN to VOUT	VOUT
L	Off	GND
H	On	VIN

[Table 2](#) lists the TPS22976N functions.

**Table 2. TPS22976N Functions Table**

ON	VIN to VOUT	VOUT
L	Off	Floating
H	On	VIN

## 10 Application and Implementation

### NOTE

Information in the following applications sections is not part of the TI component specification, and TI does not warrant its accuracy or completeness. TI's customers are responsible for determining suitability of components for their purposes. Customers should validate and test their design implementation to confirm system functionality.

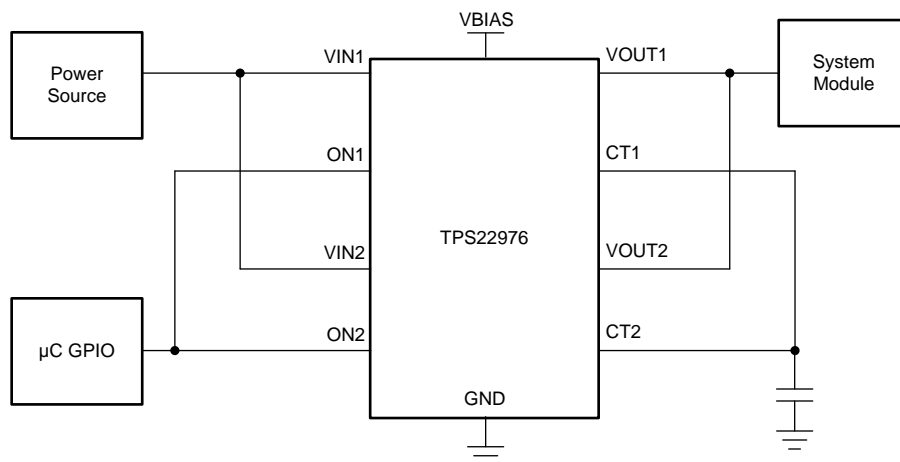
### 10.1 Application Information

This section highlights some of the design considerations for implementing the device in various applications. A PSPICE model for this device is also available on the product page for additional information.

#### 10.1.1 Parallel Configuration

To increase current capabilities and to lower  $R_{ON}$ , both channels can be placed in parallel as seen in [Figure 35](#). With this configuration, the CT1 and CT2 pins can be tied together to use one capacitor, CT.

See the [TPS22966 Dual-Channel Load Switch in Parallel Configuration](#) application report and [Parallel Load Switches for Higher Output Current & Reduced ON-Resistance Design Guide](#) for more information.



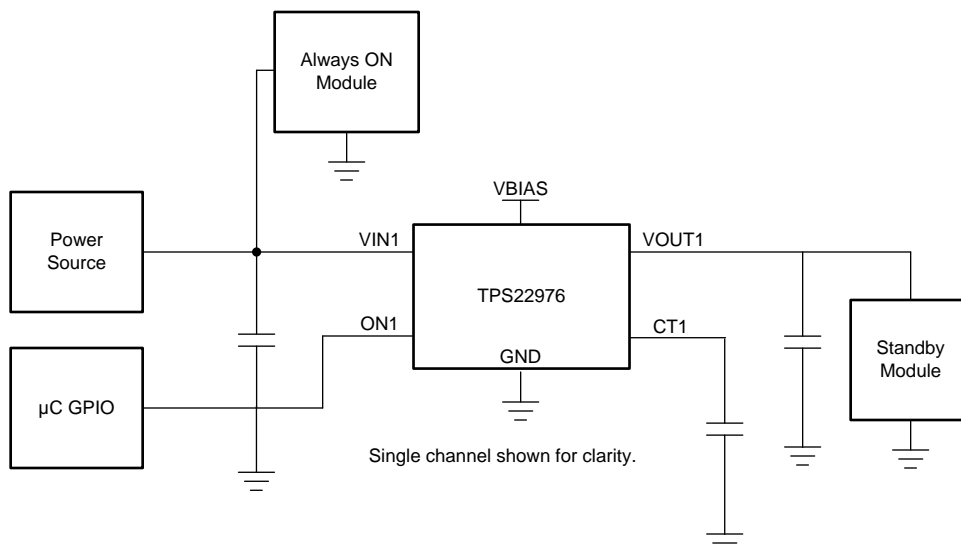
Copyright © 2016, Texas Instruments Incorporated

**Figure 35. Parallel Configuration**

#### 10.1.2 Standby Power Reduction

Battery powered end equipments often have strict power budgets, in which there is a need to reduce current consumption. The TPS22976 significantly reduces system current consumption by disabling the supply voltage to subsystems in standby states. Alternatively, the TPS22976 reduces the leakage current overhead of the modules in standby mode as achieved in [Figure 36](#). Note that standby power reduction can be achieved on either channel, as well as dual-channel operation.

Application Information (continued)

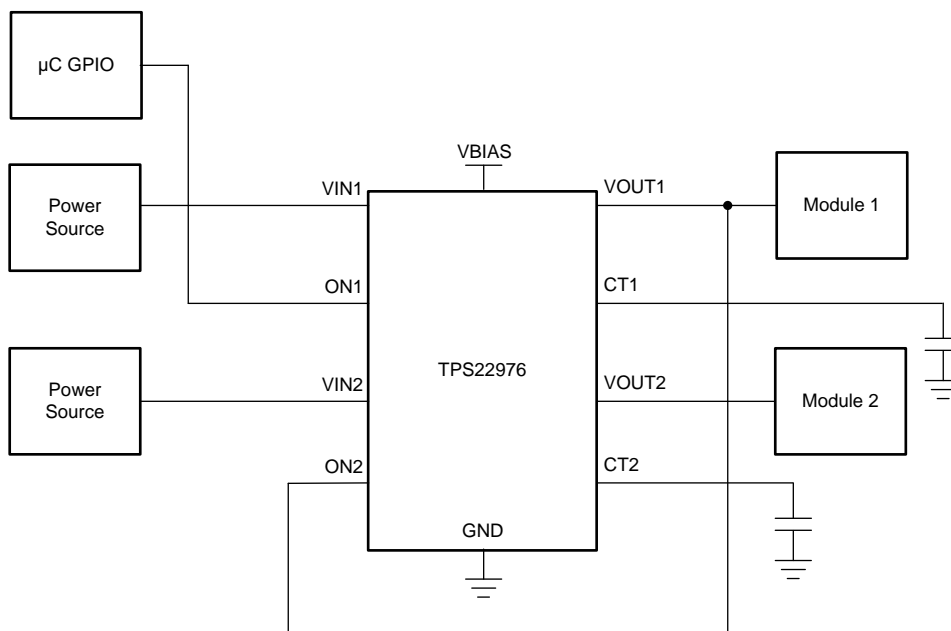


Copyright © 2016, Texas Instruments Incorporated

Figure 36. Standby Power Reduction

10.1.3 Power Supply Sequencing without GPIO Input

Sequential startup of several subsystems is often burdensome and adds complexity for several end equipments. The TPS22976 provides a power sequencing solution that reduces the overall system complexity, as seen in Figure 37.



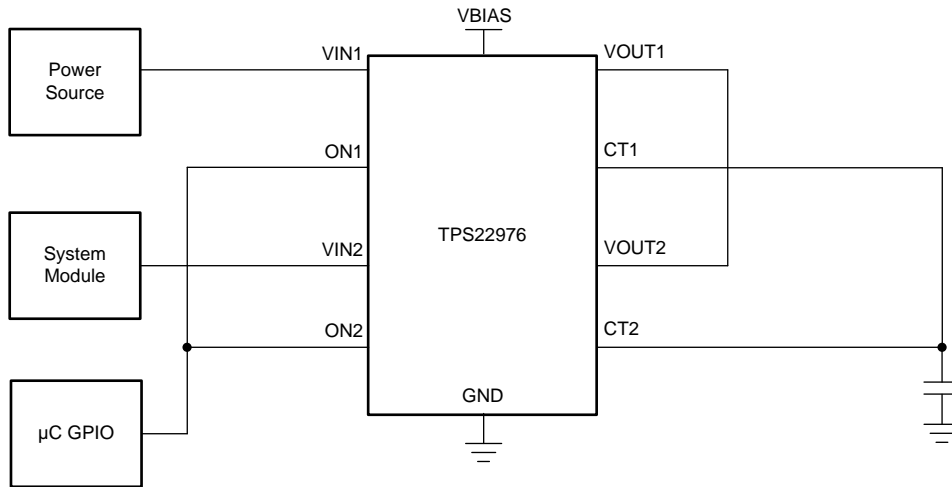
Copyright © 2016, Texas Instruments Incorporated

Figure 37. Power Sequencing without a GPIO Input

## Application Information (continued)

### 10.1.4 Reverse Current Blocking

Reverse current blocking is often desired in specific applications, as it prevents current from flowing from the output to the input of the load switch when the device is disabled. With the configuration illustrated in Figure 38, the TPS22976 can be converted into a single-channel switch with reverse current blocking. VIN1 or VIN2 can be used as the input and VIN2 or VIN1 as the output.

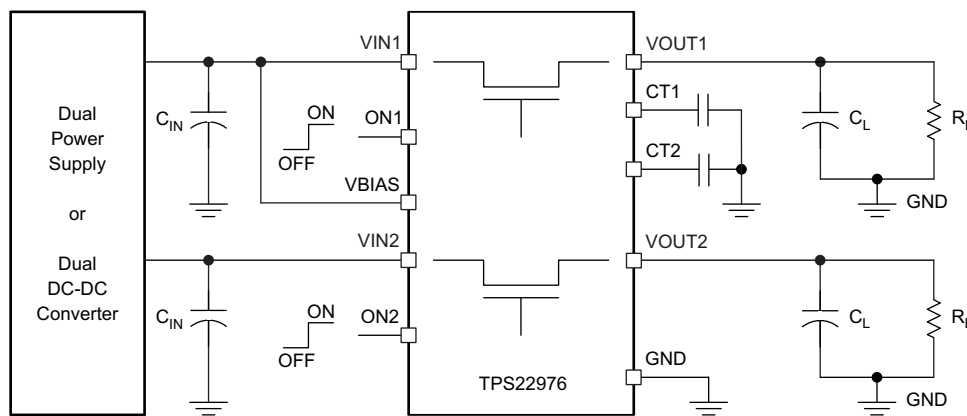


Copyright © 2016, Texas Instruments Incorporated

Figure 38. Reverse Current Blocking

## 10.2 Typical Application

This application demonstrates how the TPS22976 can be used to limit the inrush current when powering on downstream modules.



Copyright © 2016, Texas Instruments Incorporated

Figure 39. Typical Application Circuit

## Typical Application (continued)

### 10.2.1 Design Requirements

Table 3 shows the TPS22976 design parameters.

**Table 3. Design Parameters**

DESIGN PARAMETER	VALUE
Input voltage	3.3 V
Bias voltage	5 V
Load capacitance (C <sub>L</sub> )	22 μF
Maximum acceptable inrush current	400 mA

### 10.2.2 Detailed Design Procedure

#### 10.2.2.1 Inrush Current

When the switch is enabled, the output capacitors must be charged up from 0 V to the set value (3.3 V in this example). This charge arrives in the form of inrush current. Inrush current can be calculated using [Equation 1](#).

$$\text{Inrush Current} = C \times dV/dt$$

where

- C is the output capacitance
  - dV is the output voltage
  - dt is the rise time
- (1)

The TPS22976 offers adjustable rise time for V<sub>OUT</sub>. This feature allows the user to control the inrush current during turnon. The appropriate rise time can be calculated using [Table 3](#) and the inrush current equation. See [Equation 2](#) and [Equation 3](#).

$$400 \text{ mA} = 22 \text{ } \mu\text{F} \times 3.3 \text{ V}/dt \tag{2}$$

$$dt = 181.5 \text{ } \mu\text{s} \tag{3}$$

To ensure an inrush current of less than 400 mA, choose a CT value that yields a rise time of more than 181.5 μs. See the oscilloscope captures in the [Application Curves](#) section for an example of how the CT capacitor can be used to reduce inrush current.

### 10.2.2.2 Adjustable Rise Time

A capacitor to GND on the CT pins sets the slew rate for each channel. To ensure desired performance, a capacitor with a minimum voltage rating of 25 V must be used on either CT pins. An approximate formula for the relationship between CT and slew rate is shown in Equation 4.

Equation 4 accounts for 10% to 90% measurement on  $V_{OUT}$  and does not apply for  $CT < 100$  pF. Use Table 4 to determine rise times for when  $CT = 0$  pF):

$$SR = 0.42 \times CT + 66$$

where

- SR is the slew rate (in  $\mu\text{s}/\text{V}$ )
  - CT is the capacitance value on the CT pin (in pF)
  - The units for the constant 66 is in  $\mu\text{s}/\text{V}$ .
- (4)

Rise time can be calculated by multiplying the input voltage by the slew rate. Table 4 shows rise time values measured on a typical device. Rise times shown below are only valid for the power-up sequence where  $V_{IN}$  and  $V_{BIAS}$  are already in steady state condition, and the ON pin is asserted high.

**Table 4. Rise Time Values**

CT (pF)	RISE TIME ( $\mu\text{s}$ ) 10% - 90%, $C_L = 0.1 \mu\text{F}$ , $C_{IN} = 1 \mu\text{F}$ , $R_L = 10 \Omega$ <sup>(1)</sup>						
	5 V	3.3 V	1.8 V	1.5 V	1.2 V	1.05 V	0.6 V
0	149	112	77	70	60	56	42
220	548	388	236	206	173	154	103
470	968	673	401	342	289	256	169
1000	1768	1220	711	608	505	445	286
2200	3916	2678	1554	1332	1097	949	627
4700	8040	5477	3179	2691	2240	1964	1249
10000	16520	11150	6410	5401	4430	3933	2526

(1) TYPICAL VALUES at 25°C,  $V_{BIAS} = 5$  V, 25 V X7R 10% CERAMIC CAP

### 10.2.3 Application Curves

$V_{BIAS} = 5$  V ;  $V_{IN} = 3.3$  V ;  $C_L = 22 \mu\text{F}$

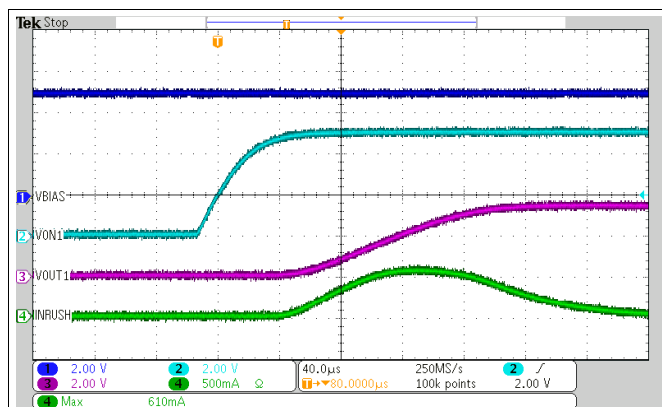


Figure 40. Inrush Current With CT = 0 pF

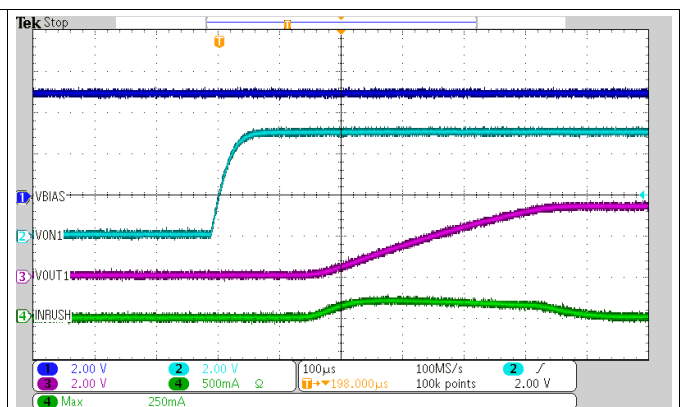


Figure 41. Inrush Current With CT = 220 pF

## 11 Power Supply Recommendations

The device is designed to operate from a  $V_{BIAS}$  range of 2.5 V to 5.7 V and a  $V_{IN}$  range of 0.6 V to  $V_{BIAS}$ .

## 12 Layout

### 12.1 Layout Guidelines

For best performance, all traces must be as short as possible. To be most effective, the input and output capacitors must be placed close to the device to minimize the effects that parasitic trace inductances may have on normal operation. Using wide traces for  $V_{IN}$ ,  $V_{OUT}$ , and GND helps minimize the parasitic electrical effects along with minimizing the case to ambient thermal impedance.

### 12.2 Layout Example

Notice the thermal vias located under the exposed thermal pad of the device. This allows for thermal diffusion away from the device.

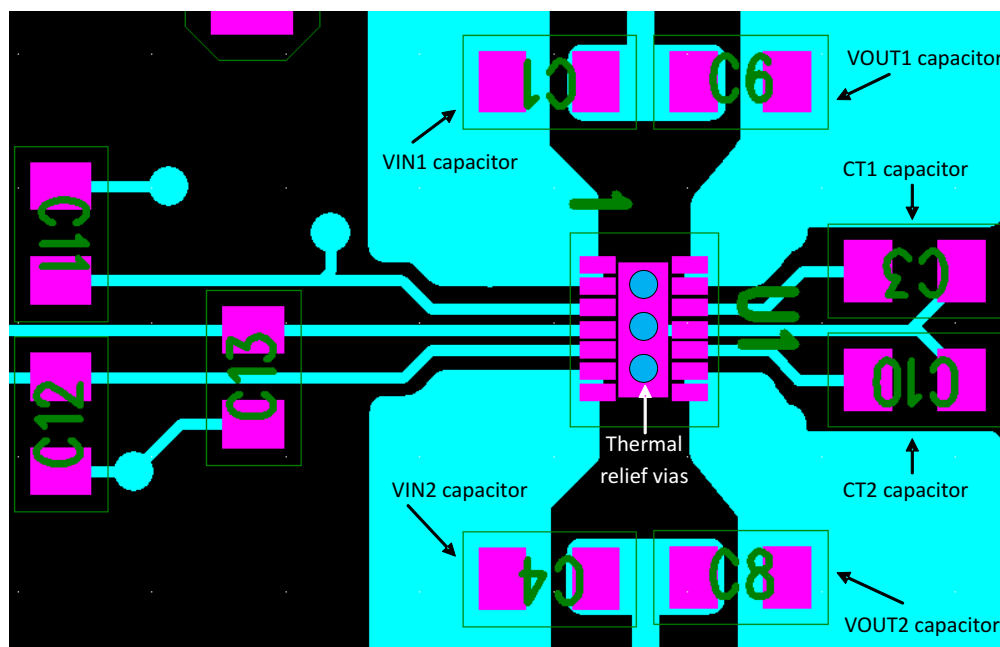


Figure 42. PCB Layout Example

### 12.3 Power Dissipation

The maximum IC junction temperature must be restricted to 125°C under normal operating conditions. To calculate the maximum allowable power dissipation,  $P_{D(max)}$  for a given output current and ambient temperature, use Equation 5.

$$P_{D(max)} = \frac{T_{J(max)} - T_A}{\theta_{JA}}$$

where

- $P_{D(max)}$  is the maximum allowable power dissipation
- $T_{J(max)}$  is the maximum allowable junction temperature (125°C for the TPS22976)
- $T_A$  is the ambient temperature of the device
- $\theta_{JA}$  is the junction to air thermal impedance. See the [Thermal Information](#) section. This parameter is highly dependent upon board layout.

(5)

## 13 Device and Documentation Support

### 13.1 Device Support

#### 13.1.1 Developmental Support

For the TPS22976N PSpice Transient Model, see [SLVMBV5](#).

For the TPS22976 PSpice Transient Model, see [SLVMBV6](#).

### 13.2 Documentation Support

#### 13.2.1 Related Documentation

For related documentation see the following:

[TPS22976 Evaluation Module User's Guide](#)

### 13.3 Receiving Notification of Documentation Updates

To receive notification of documentation updates, navigate to the device product folder on [ti.com](http://ti.com). In the upper right corner, click on *Alert me* to register and receive a weekly digest of any product information that has changed. For change details, review the revision history included in any revised document.

### 13.4 Community Resources

The following links connect to TI community resources. Linked contents are provided "AS IS" by the respective contributors. They do not constitute TI specifications and do not necessarily reflect TI's views; see TI's [Terms of Use](#).

**TI E2E™ Online Community** *TI's Engineer-to-Engineer (E2E) Community*. Created to foster collaboration among engineers. At [e2e.ti.com](http://e2e.ti.com), you can ask questions, share knowledge, explore ideas and help solve problems with fellow engineers.

**Design Support** *TI's Design Support* Quickly find helpful E2E forums along with design support tools and contact information for technical support.

### 13.5 Trademarks

E2E is a trademark of Texas Instruments.

Ultrabook is a trademark of Intel.

All other trademarks are the property of their respective owners.

### 13.6 Electrostatic Discharge Caution



These devices have limited built-in ESD protection. The leads should be shorted together or the device placed in conductive foam during storage or handling to prevent electrostatic damage to the MOS gates.

### 13.7 Glossary

[SLYZ022](#) — *TI Glossary*.

This glossary lists and explains terms, acronyms, and definitions.

## 14 Mechanical, Packaging, and Orderable Information

The following pages include mechanical, packaging, and orderable information. This information is the most-current data available for the designated devices. This data is subject to change without notice and without revision of this document. For browser-based versions of this data sheet, see the left-hand navigation pane.

**PACKAGING INFORMATION**

Orderable Device	Status (1)	Package Type	Package Drawing	Pins	Package Qty	Eco Plan (2)	Lead/Ball Finish (6)	MSL Peak Temp (3)	Op Temp (°C)	Device Marking (4/5)	Samples
TPS22976DPUR	ACTIVE	WSO	DPU	14	3000	Green (RoHS & no Sb/Br)	CU NIPDAU	Level-2-260C-1 YEAR	-40 to 105	22976	<a href="#">Samples</a>
TPS22976DPUT	ACTIVE	WSO	DPU	14	250	Green (RoHS & no Sb/Br)	CU NIPDAU	Level-2-260C-1 YEAR	-40 to 105	22976	<a href="#">Samples</a>
TPS22976NDPUR	ACTIVE	WSO	DPU	14	3000	Green (RoHS & no Sb/Br)	CU NIPDAU	Level-2-260C-1 YEAR	-40 to 105	22976N	<a href="#">Samples</a>
TPS22976NDPUT	ACTIVE	WSO	DPU	14	250	Green (RoHS & no Sb/Br)	CU NIPDAU	Level-2-260C-1 YEAR	-40 to 105	22976N	<a href="#">Samples</a>

(1) The marketing status values are defined as follows:

**ACTIVE:** Product device recommended for new designs.

**LIFEBUY:** TI has announced that the device will be discontinued, and a lifetime-buy period is in effect.

**NRND:** Not recommended for new designs. Device is in production to support existing customers, but TI does not recommend using this part in a new design.

**PREVIEW:** Device has been announced but is not in production. Samples may or may not be available.

**OBSELETE:** TI has discontinued the production of the device.

(2) **RoHS:** TI defines "RoHS" to mean semiconductor products that are compliant with the current EU RoHS requirements for all 10 RoHS substances, including the requirement that RoHS substance do not exceed 0.1% by weight in homogeneous materials. Where designed to be soldered at high temperatures, "RoHS" products are suitable for use in specified lead-free processes. TI may reference these types of products as "Pb-Free".

**RoHS Exempt:** TI defines "RoHS Exempt" to mean products that contain lead but are compliant with EU RoHS pursuant to a specific EU RoHS exemption.

**Green:** TI defines "Green" to mean the content of Chlorine (Cl) and Bromine (Br) based flame retardants meet JS709B low halogen requirements of <=1000ppm threshold. Antimony trioxide based flame retardants must also meet the <=1000ppm threshold requirement.

(3) MSL, Peak Temp. - The Moisture Sensitivity Level rating according to the JEDEC industry standard classifications, and peak solder temperature.

(4) There may be additional marking, which relates to the logo, the lot trace code information, or the environmental category on the device.

(5) Multiple Device Markings will be inside parentheses. Only one Device Marking contained in parentheses and separated by a "-" will appear on a device. If a line is indented then it is a continuation of the previous line and the two combined represent the entire Device Marking for that device.

(6) Lead/Ball Finish - Orderable Devices may have multiple material finish options. Finish options are separated by a vertical ruled line. Lead/Ball Finish values may wrap to two lines if the finish value exceeds the maximum column width.

**Important Information and Disclaimer:**The information provided on this page represents TI's knowledge and belief as of the date that it is provided. TI bases its knowledge and belief on information provided by third parties, and makes no representation or warranty as to the accuracy of such information. Efforts are underway to better integrate information from third parties. TI has taken and

continues to take reasonable steps to provide representative and accurate information but may not have conducted destructive testing or chemical analysis on incoming materials and chemicals. TI and TI suppliers consider certain information to be proprietary, and thus CAS numbers and other limited information may not be available for release.

In no event shall TI's liability arising out of such information exceed the total purchase price of the TI part(s) at issue in this document sold by TI to Customer on an annual basis.

**TAPE AND REEL INFORMATION**

**QUADRANT ASSIGNMENTS FOR PIN 1 ORIENTATION IN TAPE**


\*All dimensions are nominal

Device	Package Type	Package Drawing	Pins	SPQ	Reel Diameter (mm)	Reel Width W1 (mm)	A0 (mm)	B0 (mm)	K0 (mm)	P1 (mm)	W (mm)	Pin1 Quadrant
TPS22976DPUR	WSON	DPU	14	3000	180.0	8.4	2.25	3.25	1.05	4.0	8.0	Q1
TPS22976DPUT	WSON	DPU	14	250	180.0	8.4	2.25	3.25	1.05	4.0	8.0	Q1
TPS22976NDPUR	WSON	DPU	14	3000	180.0	8.4	2.25	3.25	1.05	4.0	8.0	Q1
TPS22976NDPUR	WSON	DPU	14	3000	180.0	8.4	2.25	3.25	1.05	4.0	8.0	Q1
TPS22976NDPUT	WSON	DPU	14	250	180.0	8.4	2.25	3.25	1.05	4.0	8.0	Q1
TPS22976NDPUT	WSON	DPU	14	250	180.0	8.4	2.25	3.25	1.05	4.0	8.0	Q1

## TAPE AND REEL BOX DIMENSIONS

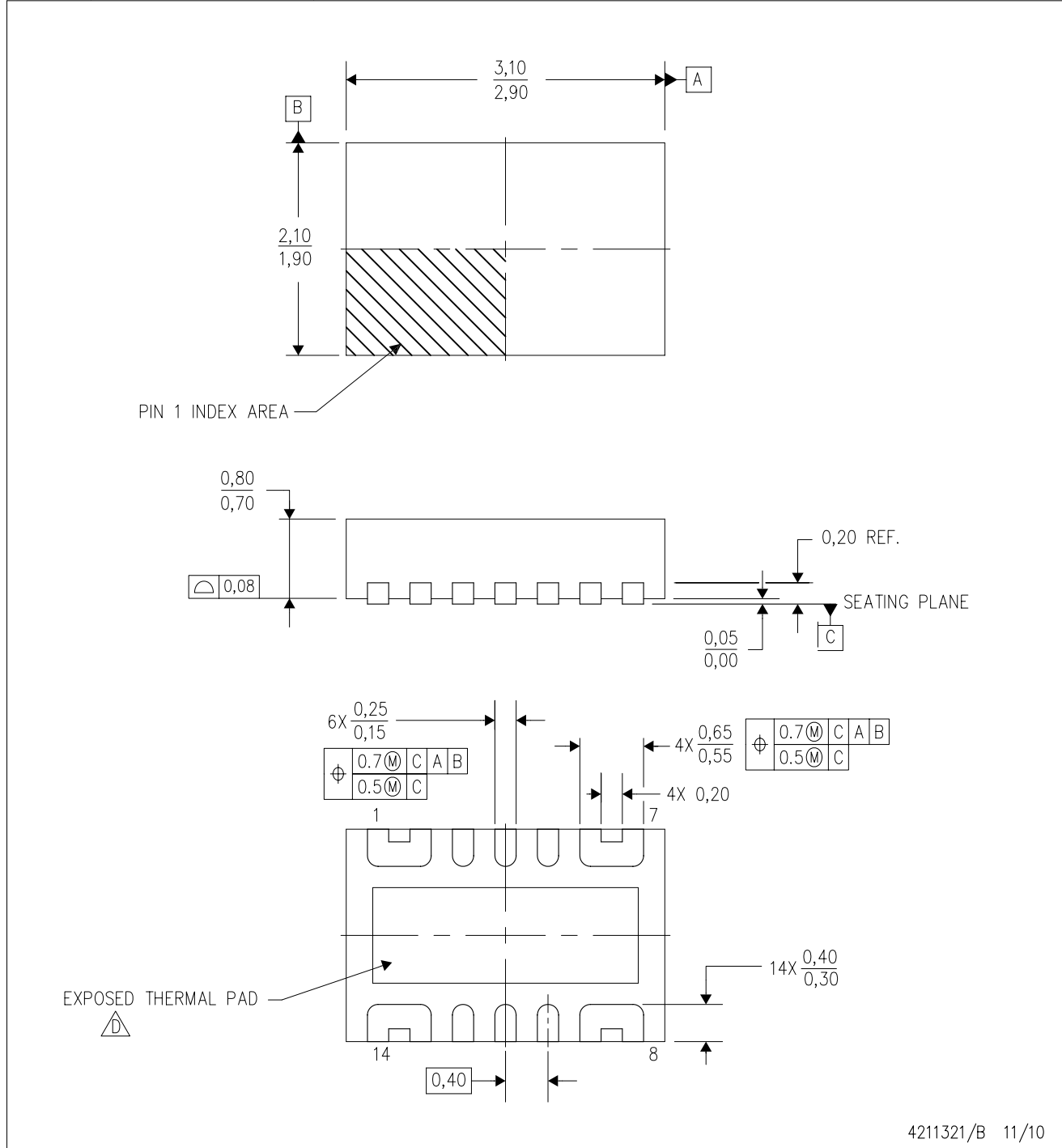


\*All dimensions are nominal

Device	Package Type	Package Drawing	Pins	SPQ	Length (mm)	Width (mm)	Height (mm)
TPS22976DPUR	WSON	DPU	14	3000	210.0	185.0	35.0
TPS22976DPUT	WSON	DPU	14	250	210.0	185.0	35.0
TPS22976NDPUR	WSON	DPU	14	3000	210.0	185.0	35.0
TPS22976NDPUR	WSON	DPU	14	3000	210.0	185.0	35.0
TPS22976NDPUT	WSON	DPU	14	250	210.0	185.0	35.0
TPS22976NDPUT	WSON	DPU	14	250	210.0	185.0	35.0

DPU (R-PWSON-N14)

PLASTIC SMALL OUTLINE NO-LEAD



- NOTES:
- All linear dimensions are in millimeters. Dimensioning and tolerancing per ASME Y14.5M-1994.
  - This drawing is subject to change without notice.
  - Small Outline No-Lead (SON) package configuration.
  - The package thermal pad must be soldered to the board for thermal and mechanical performance. See the Product Data Sheet for details regarding the exposed thermal pad dimensions.
  - This package is Pb-free.

## THERMAL PAD MECHANICAL DATA

DPU (R-PWSON-N14)

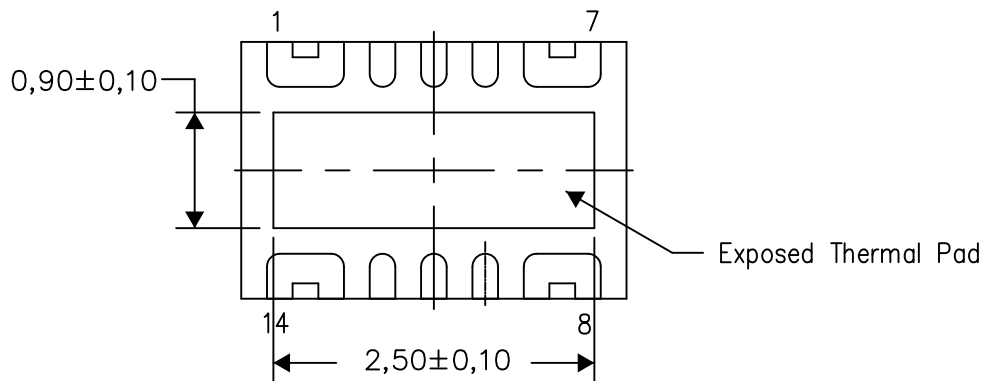
PLASTIC SMALL OUTLINE NO-LEAD

### THERMAL INFORMATION

This package incorporates an exposed thermal pad that is designed to be attached directly to an external heatsink. The thermal pad must be soldered directly to the printed circuit board (PCB). After soldering, the PCB can be used as a heatsink. In addition, through the use of thermal vias, the thermal pad can be attached directly to the appropriate copper plane shown in the electrical schematic for the device, or alternatively, can be attached to a special heatsink structure designed into the PCB. This design optimizes the heat transfer from the integrated circuit (IC).

For information on the Quad Flatpack No-Lead (QFN) package and its advantages, refer to Application Report, QFN/SON PCB Attachment, Texas Instruments Literature No. SLUA271. This document is available at [www.ti.com](http://www.ti.com).

The exposed thermal pad dimensions for this package are shown in the following illustration.



Bottom View

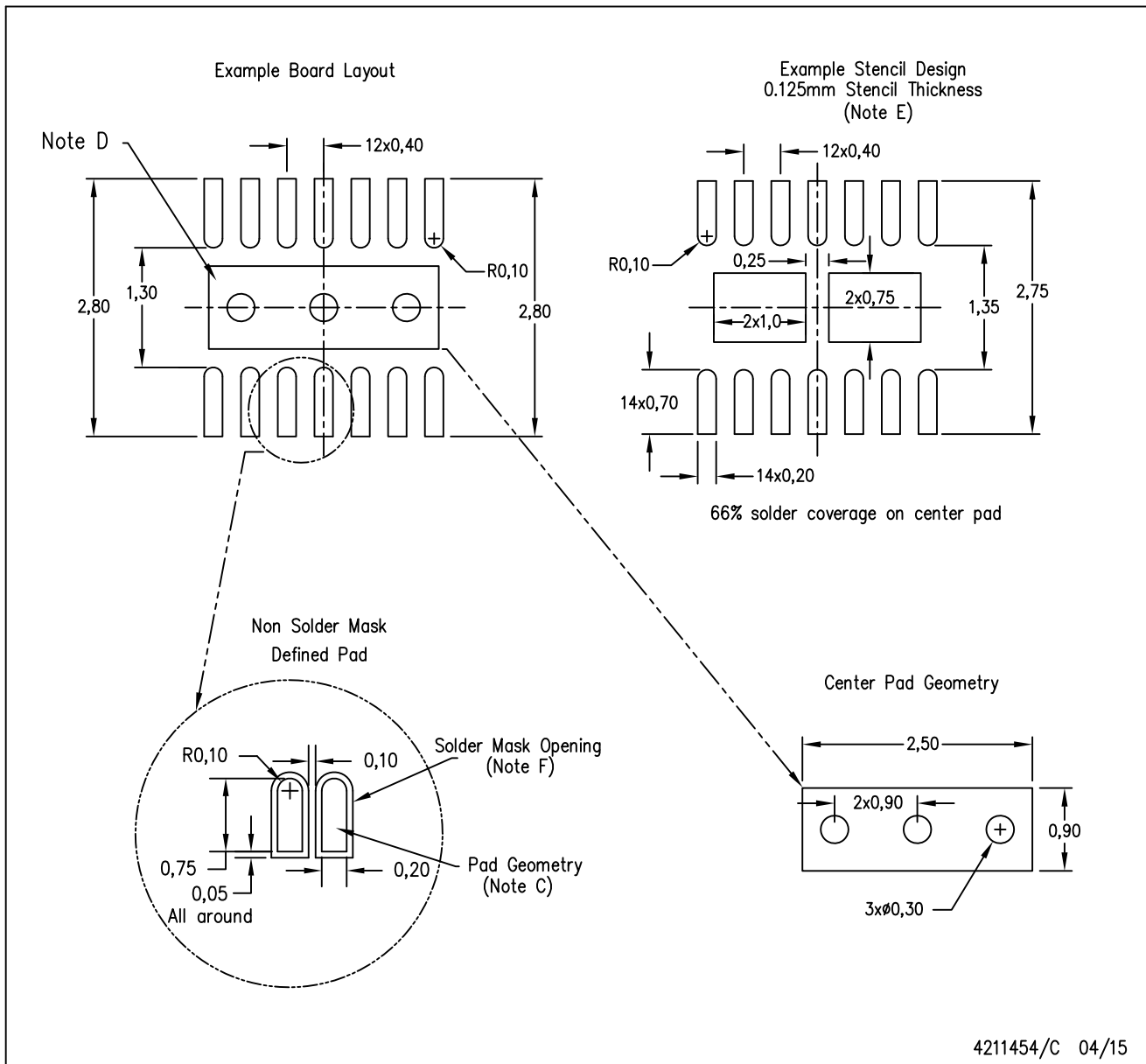
Exposed Thermal Pad Dimensions

4211395/C 04/15

NOTE: All linear dimensions are in millimeters

DPU (R-PWSON-N14)

PLASTIC SMALL OUTLINE NO-LEAD



- NOTES:
- All linear dimensions are in millimeters.
  - This drawing is subject to change without notice.
  - Publication IPC-7351 is recommended for alternate designs.
  - This package is designed to be soldered to a thermal pad on the board. Refer to Application Note, QFN/SON PCB Attachment, Texas Instruments Literature No. SLUA271, and also the Product Data Sheets for specific thermal information, via requirements, and recommended board layout. These documents are available at [www.ti.com](http://www.ti.com) <<http://www.ti.com>>.
  - Laser cutting apertures with trapezoidal walls and also rounding corners will offer better paste release. Customers should contact their board assembly site for stencil design recommendations. Refer to IPC 7525 for stencil design considerations.
  - Customers should contact their board fabrication site for minimum solder mask web tolerances between signal pads.

## IMPORTANT NOTICE

Texas Instruments Incorporated (TI) reserves the right to make corrections, enhancements, improvements and other changes to its semiconductor products and services per JESD46, latest issue, and to discontinue any product or service per JESD48, latest issue. Buyers should obtain the latest relevant information before placing orders and should verify that such information is current and complete.

TI's published terms of sale for semiconductor products (<http://www.ti.com/sc/docs/stdterms.htm>) apply to the sale of packaged integrated circuit products that TI has qualified and released to market. Additional terms may apply to the use or sale of other types of TI products and services.

Reproduction of significant portions of TI information in TI data sheets is permissible only if reproduction is without alteration and is accompanied by all associated warranties, conditions, limitations, and notices. TI is not responsible or liable for such reproduced documentation. Information of third parties may be subject to additional restrictions. Resale of TI products or services with statements different from or beyond the parameters stated by TI for that product or service voids all express and any implied warranties for the associated TI product or service and is an unfair and deceptive business practice. TI is not responsible or liable for any such statements.

Buyers and others who are developing systems that incorporate TI products (collectively, "Designers") understand and agree that Designers remain responsible for using their independent analysis, evaluation and judgment in designing their applications and that Designers have full and exclusive responsibility to assure the safety of Designers' applications and compliance of their applications (and of all TI products used in or for Designers' applications) with all applicable regulations, laws and other applicable requirements. Designer represents that, with respect to their applications, Designer has all the necessary expertise to create and implement safeguards that (1) anticipate dangerous consequences of failures, (2) monitor failures and their consequences, and (3) lessen the likelihood of failures that might cause harm and take appropriate actions. Designer agrees that prior to using or distributing any applications that include TI products, Designer will thoroughly test such applications and the functionality of such TI products as used in such applications.

TI's provision of technical, application or other design advice, quality characterization, reliability data or other services or information, including, but not limited to, reference designs and materials relating to evaluation modules, (collectively, "TI Resources") are intended to assist designers who are developing applications that incorporate TI products; by downloading, accessing or using TI Resources in any way, Designer (individually or, if Designer is acting on behalf of a company, Designer's company) agrees to use any particular TI Resource solely for this purpose and subject to the terms of this Notice.

TI's provision of TI Resources does not expand or otherwise alter TI's applicable published warranties or warranty disclaimers for TI products, and no additional obligations or liabilities arise from TI providing such TI Resources. TI reserves the right to make corrections, enhancements, improvements and other changes to its TI Resources. TI has not conducted any testing other than that specifically described in the published documentation for a particular TI Resource.

Designer is authorized to use, copy and modify any individual TI Resource only in connection with the development of applications that include the TI product(s) identified in such TI Resource. NO OTHER LICENSE, EXPRESS OR IMPLIED, BY ESTOPPEL OR OTHERWISE TO ANY OTHER TI INTELLECTUAL PROPERTY RIGHT, AND NO LICENSE TO ANY TECHNOLOGY OR INTELLECTUAL PROPERTY RIGHT OF TI OR ANY THIRD PARTY IS GRANTED HEREIN, including but not limited to any patent right, copyright, mask work right, or other intellectual property right relating to any combination, machine, or process in which TI products or services are used. Information regarding or referencing third-party products or services does not constitute a license to use such products or services, or a warranty or endorsement thereof. Use of TI Resources may require a license from a third party under the patents or other intellectual property of the third party, or a license from TI under the patents or other intellectual property of TI.

TI RESOURCES ARE PROVIDED "AS IS" AND WITH ALL FAULTS. TI DISCLAIMS ALL OTHER WARRANTIES OR REPRESENTATIONS, EXPRESS OR IMPLIED, REGARDING RESOURCES OR USE THEREOF, INCLUDING BUT NOT LIMITED TO ACCURACY OR COMPLETENESS, TITLE, ANY EPIDEMIC FAILURE WARRANTY AND ANY IMPLIED WARRANTIES OF MERCHANTABILITY, FITNESS FOR A PARTICULAR PURPOSE, AND NON-INFRINGEMENT OF ANY THIRD PARTY INTELLECTUAL PROPERTY RIGHTS. TI SHALL NOT BE LIABLE FOR AND SHALL NOT DEFEND OR INDEMNIFY DESIGNER AGAINST ANY CLAIM, INCLUDING BUT NOT LIMITED TO ANY INFRINGEMENT CLAIM THAT RELATES TO OR IS BASED ON ANY COMBINATION OF PRODUCTS EVEN IF DESCRIBED IN TI RESOURCES OR OTHERWISE. IN NO EVENT SHALL TI BE LIABLE FOR ANY ACTUAL, DIRECT, SPECIAL, COLLATERAL, INDIRECT, PUNITIVE, INCIDENTAL, CONSEQUENTIAL OR EXEMPLARY DAMAGES IN CONNECTION WITH OR ARISING OUT OF TI RESOURCES OR USE THEREOF, AND REGARDLESS OF WHETHER TI HAS BEEN ADVISED OF THE POSSIBILITY OF SUCH DAMAGES.

Unless TI has explicitly designated an individual product as meeting the requirements of a particular industry standard (e.g., ISO/TS 16949 and ISO 26262), TI is not responsible for any failure to meet such industry standard requirements.

Where TI specifically promotes products as facilitating functional safety or as compliant with industry functional safety standards, such products are intended to help enable customers to design and create their own applications that meet applicable functional safety standards and requirements. Using products in an application does not by itself establish any safety features in the application. Designers must ensure compliance with safety-related requirements and standards applicable to their applications. Designer may not use any TI products in life-critical medical equipment unless authorized officers of the parties have executed a special contract specifically governing such use. Life-critical medical equipment is medical equipment where failure of such equipment would cause serious bodily injury or death (e.g., life support, pacemakers, defibrillators, heart pumps, neurostimulators, and implantables). Such equipment includes, without limitation, all medical devices identified by the U.S. Food and Drug Administration as Class III devices and equivalent classifications outside the U.S.

TI may expressly designate certain products as completing a particular qualification (e.g., Q100, Military Grade, or Enhanced Product). Designers agree that it has the necessary expertise to select the product with the appropriate qualification designation for their applications and that proper product selection is at Designers' own risk. Designers are solely responsible for compliance with all legal and regulatory requirements in connection with such selection.

Designer will fully indemnify TI and its representatives against any damages, costs, losses, and/or liabilities arising out of Designer's non-compliance with the terms and provisions of this Notice.

## Looking for pricing, stock, or lifecycle information?

Click below to explore more details on WIN SOURCE:

- ⊖ [View TPS22976NDPUT on WIN SOURCE](#)
- ⊖ [Texas Instruments Information](#)

## Optimize Your Supply Chain with WIN SOURCE Solutions

- ✓ Global Sourcing Solution
- ✓ Obsolete Management
- ✓ Cost Control Management
- ✓ Shortage Management
- ✓ Alternative Solution
- ✓ Excess Inventory Management