



# THE DATASHEET OF TAS5121IDKDR





## DIGITAL AMPLIFIER POWER STAGE

### FEATURES

- 100-W RMS Power (BTL) Into 4 Ω With Less Than 10% THD+N
- 80-W RMS Power (BTL) Into 4 Ω With Less Than 0.2% THD+N
- 0.09% THD+N at 1 W Into 4 Ω
- Power Stage Efficiency Greater Than 90% Into 4-Ω Load
- Self-Protecting Design
- Industrial Temperature Rating
- 36-Pin PSOP3 Package
- 3.3-V Digital Interface
- EMI Compliant When Used With Recommended System Design

### APPLICATIONS

- DVD Receiver
- Home Theatre

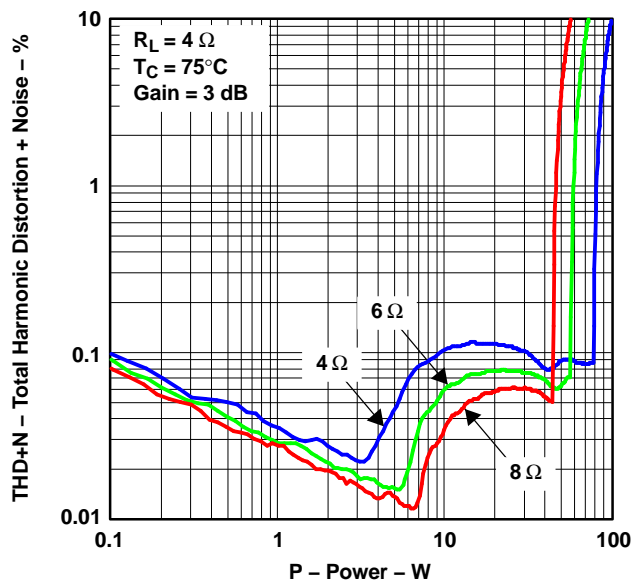
- Mini/Micro Component Systems
- Internet Music Appliance

### DESCRIPTION

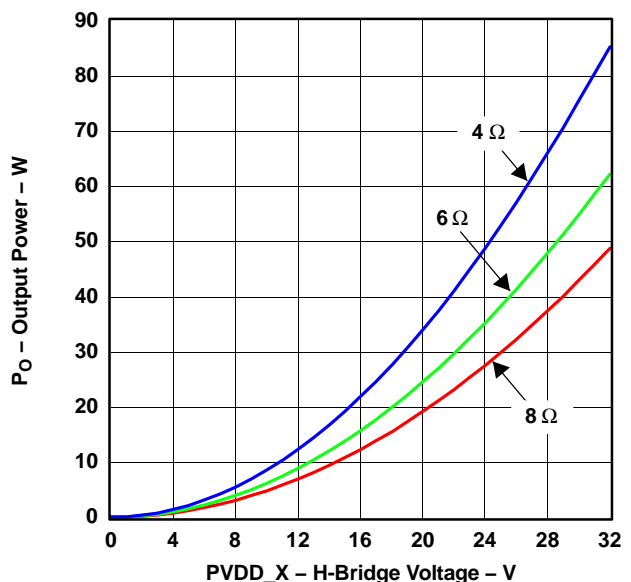
The TAS51211 is a high-performance, digital-amplifier power stage designed to drive a 4-Ω speaker up to 100 W. The TAS51211 is rated for operation at industrial temperatures. The device incorporates PurePath Digital™ technology and can be used with a TI audio pulse-width modulation (PWM) processor and a simple passive demodulation filter to deliver high-quality, high-efficiency, digital-audio amplification.

The efficiency of this digital amplifier can be greater than 90%, depending on the system design. Overcurrent protection, overtemperature protection, and undervoltage protection are built into the TAS51211, safeguarding the device and speakers against fault conditions that could damage the system.

TOTAL HARMONIC DISTORTION + NOISE  
VS  
POWER



UNCLIPPED OUTPUT POWER  
VS  
H-BRIDGE VOLTAGE



Please be aware that an important notice concerning availability, standard warranty, and use in critical applications of Texas Instruments semiconductor products and disclaimers thereto appears at the end of this data sheet.

PurePath Digital, PowerPAD are trademarks of Texas Instruments. All other trademarks are the property of their respective owners.

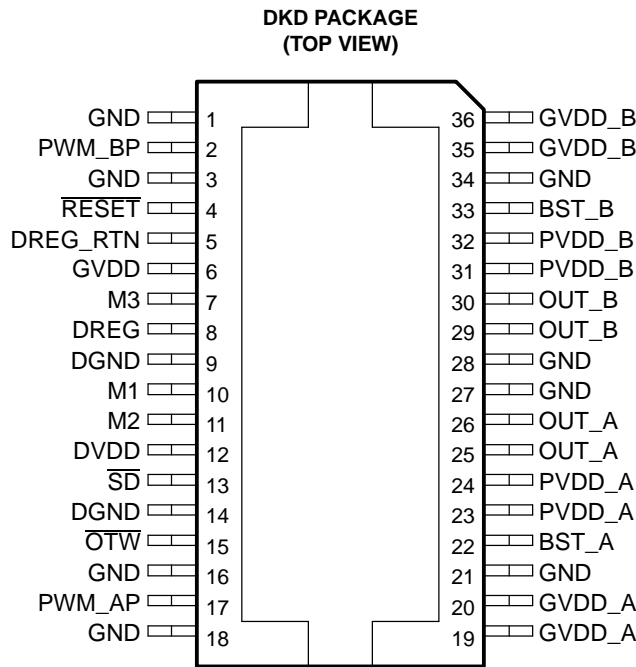


These devices have limited built-in ESD protection. The leads should be shorted together or the device placed in conductive foam during storage or handling to prevent electrostatic damage to the MOS gates.

### GENERAL INFORMATION

#### Terminal Assignment

The TAS5121I is offered in a thermally enhanced 36-pin PSOP3 (DKD) package. The DKD package has the thermal pad on top.



#### ABSOLUTE MAXIMUM RATINGS

over operating free-air temperature range unless otherwise noted<sup>(1)</sup>

DVDD TO DGND	-0.3 V to 4.2 V
GVDD_x TO GND	14.2 V
PVDD_X TO GND (dc voltage)	33.5 V
PVDD_X TO GND <sup>(2)</sup>	48 V
OUT_X TO GND (dc voltage)	33.5 V
OUT_X TO GND <sup>(2)</sup>	48 V
BST_X TO GND (dc voltage)	46 V
BST_X TO GND <sup>(2)</sup>	53 V
PWM_XP, RESET, M1, M2, M3, SD, OTW	-0.3 V to DVDD + 0.3 V
T <sub>J</sub> Maximum junction temperature range	-40°C to 150°C
Storage temperature	-40°C to 125°C

(1) Stresses beyond those listed under absolute maximum ratings may cause permanent damage to the device. These are stress ratings only, and functional operation of the device at these or any other conditions beyond those indicated under recommended operating conditions is not implied. Exposure to absolute-maximum-rated conditions for extended periods may affect device reliability.

(2) The duration should be less than 100 ns (see application note [SLEA025](#)).

**ORDERING INFORMATION**

T <sub>A</sub>	PACKAGE	TRANSPORT MEDIA	DESCRIPTION
–40°C to 85°C	TAS51211DKD	Tube	36-pin PSOP3
–40°C to 85°C	TAS51211DKDR	Tape and reel	36-pin PSOP3

**PACKAGE DISSIPATION RATINGS**

PACKAGE	R <sub>θJC</sub> (°C/W)	R <sub>θJA</sub> (°C/W)
36-Pin DKD PSOP3	0.85	See (1)

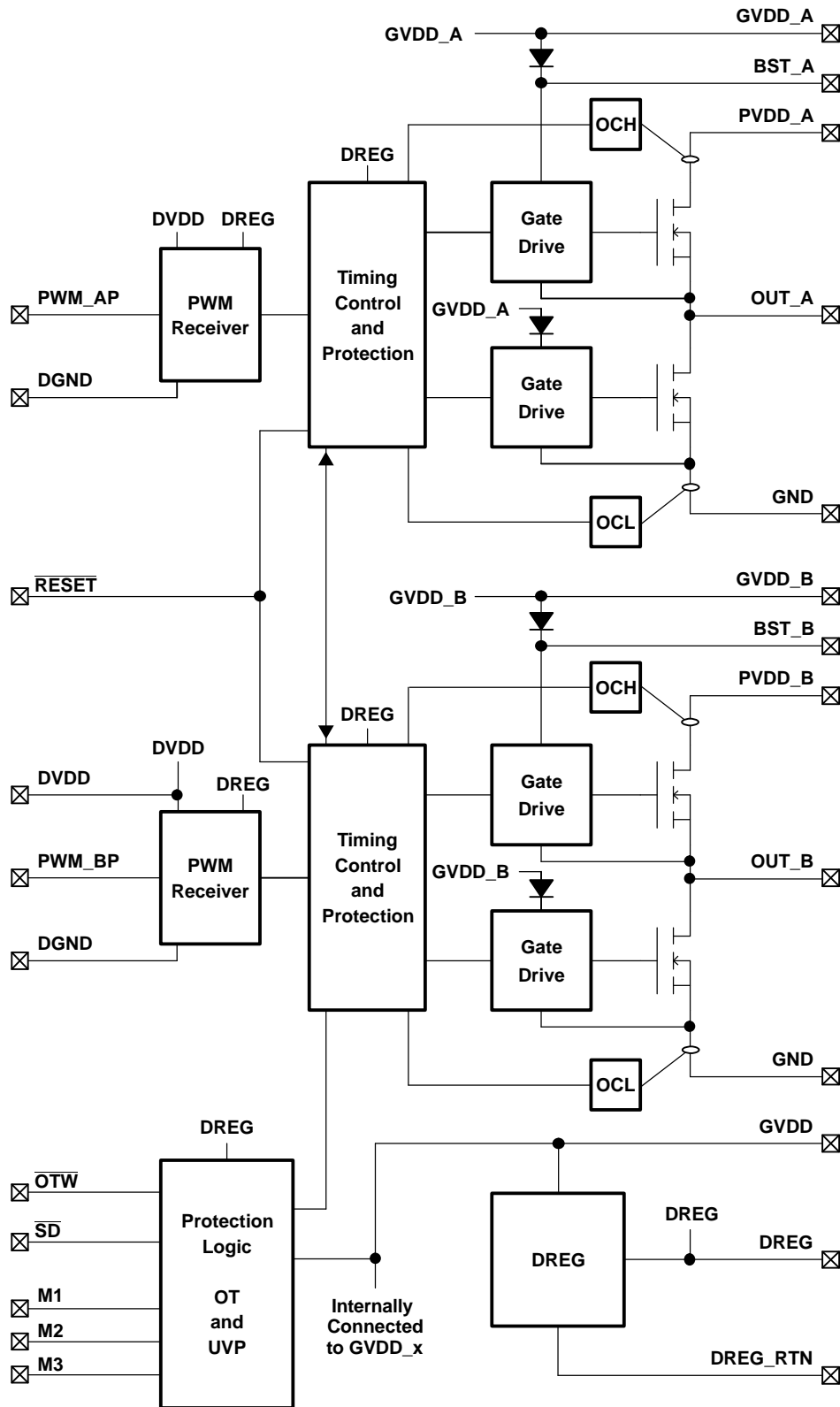
- (1) The TAS51211 package is thermally enhanced for conductive cooling using an exposed metal pad area. It is impractical to use the devices with the pad exposed to ambient air as the only heat sinking of the device. Therefore R<sub>θJA</sub>, a system parameter that characterizes the thermal treatment, is provided in the *Thermal Information* section. This information should be used as a reference to calculate the heat dissipation ratings for a specific application.

**Terminal Functions**

TERMINAL		FUNCTION <sup>(1)</sup>	DESCRIPTION
NAME	DKD		
BST_A	22	P	High-side bootstrap (BST) supply, external resistor and capacitor to OUT_A required
BST_B	33	P	High-side bootstrap (BST) supply, external resistor and capacitor to OUT_B required
DGND	9, 14	P	I/O reference ground
DREG	8	P	Digital supply-voltage regulator-decoupling pin, 1-μF capacitor connected to DREG_RTN
DREG_RTN	5	P	Decoupling return pin
DVDD	12	P	I/O reference supply input: 100 Ω to DREG, decoupled to GND, 0.1-μF capacitor connected to GND
GND	1, 3, 16, 18, 21, 27, 28, 34	P	Power ground, connected to system GND
GVDD	6	P	Local GVDD decoupling pin
GVDD_A	19, 20	P	Gate-drive input voltage
GVDD_B	35, 36	P	Gate-drive input voltage
M1	10	I	Protection-mode selection pin, connect to GND
M2	11	I	Protection-mode selection pin, connect to DREG
M3	7	I	Output-mode selection pin; connect to GND
OTW	15	O	Overtemperature warning output, open-drain with internal pullup, asserted low when temperature exceeds 115°C
OUT_A	25, 26	O	Output, half-bridge A
OUT_B	29, 30	O	Output, half-bridge B
PVDD_A	23, 24	P	Power supply input for half-bridge A
PVDD_B	31, 32	P	Power supply input for half-bridge B
PWM_AP	17	I	PWM input signal, half-bridge A
PWM_BP	2	I	PWM input signal, half-bridge B
RESET	4	I	Reset signal, active-low
SD	13	O	Shutdown signal for half-bridges A and B (open-drain with internal pullup)

- (1) I = input, O = Output, P = Power

FUNCTIONAL BLOCK DIAGRAM



**RECOMMENDED OPERATING CONDITIONS**

			MIN	NOM	MAX	UNIT
DVDD	Digital supply <sup>(1)</sup>	Relative to DGND	3	3.3	3.6	V
GVDD_x	Supply for internal gate drive and logic regulators	Relative to GND	10.8	12	13.2	V
PVDD_x	Half-bridge supply	Relative to GND, $R_L = 4 \Omega$	0	30.5	32	V
$T_J$	Junction temperature		0		125	°C

(1) It is recommended for DVDD to be connected to DREG via a 100- $\Omega$  resistor.

**ELECTRICAL CHARACTERISTICS**

PVDD\_X = 30.5 V, GVDD\_x = 12 V, DVDD connected to DREG via a 100- $\Omega$  resistor,  $R_L = 4 \Omega$ ,  $8X f_s = 384$  kHz, TAS5026 PWM processor, unless otherwise noted

SYMBOL	PARAMETER	TEST CONDITIONS	TYPICAL	OVER TEMPERATURE			
			$T_A = 25^\circ\text{C}$	$T_A = 25^\circ\text{C}$	$T_{\text{Case}} = 75^\circ\text{C}$	UNITS	MIN/TYP/MAX
<b>AC PERFORMANCE, BTL Mode, 1 kHz</b>							
$P_O$	Output power	$R_L = 4 \Omega$ , THD = 10%, AES17 filter			100	W	Typ
		$R_L = 4 \Omega$ , THD = unclipped, AES17 filter			80	W	Typ
		$R_L = 8 \Omega$ , THD = unclipped, AD mode			44	W	Typ
THD+N	Total harmonic distortion + noise	$P_O = 1$ W/channel, $R_L = 4 \Omega$ , AES17 filter			0.09	%	Typ
		$P_O = 10$ W/channel, $R_L = 4 \Omega$ , AES17 filter			0.15	%	Typ
		$P_O = 80$ W/channel, $R_L = 4 \Omega$ , AES17 filter			0.19	%	Typ
$V_n$	Output-integrated noise voltage	A-weighted, $R_L = 4 \Omega$ , 20 Hz to 20 kHz, AES17 filter			300	$\mu\text{V}$	Max
SNR	Signal-to-noise ratio	A-weighted, AES17 filter			95	dB	Typ
DR	Dynamic range	$f = 1$ kHz, –60 dB, A-weighted, AES17 filter			95	dB	Typ
<b>INTERNAL VOLTAGE REGULATOR AND CURRENT CONSUMPTION</b>							
DREG	Voltage regulator	$I_o = 1$ mA	3.3			V	Min
						V	Max
IGVDD_x	Total GVDD supply current, operating	$f_s = 384$ kHz, no load, 50% duty cycle	24	30		mA	Max
IDVDD	DVDD supply current, operating	$f_s = 384$ kHz, no load	1	5		mA	Max
<b>OUTPUT STAGE MOSFETS</b>							
$R_{\text{DSon,LS}}$	Forward on-resistance, low side	$T_J = 25^\circ\text{C}$	120	132		m $\Omega$	Max
$R_{\text{DSon,HS}}$	Forward on-resistance, high side	$T_J = 25^\circ\text{C}$	120	132		m $\Omega$	Max
<b>INPUT/OUTPUT PROTECTION</b>							
$V_{\text{uvp,G}}$	Undervoltage protection limit, GVDD		7.6	7		V	Min
				8.2		V	Max
OTW	Overtemperature warning	Static	115			°C	Typ
OTE	Overtemperature error	Static	150			°C	Typ
OC	Overcurrent protection	See <sup>(1)</sup> .	9.5			A	Min

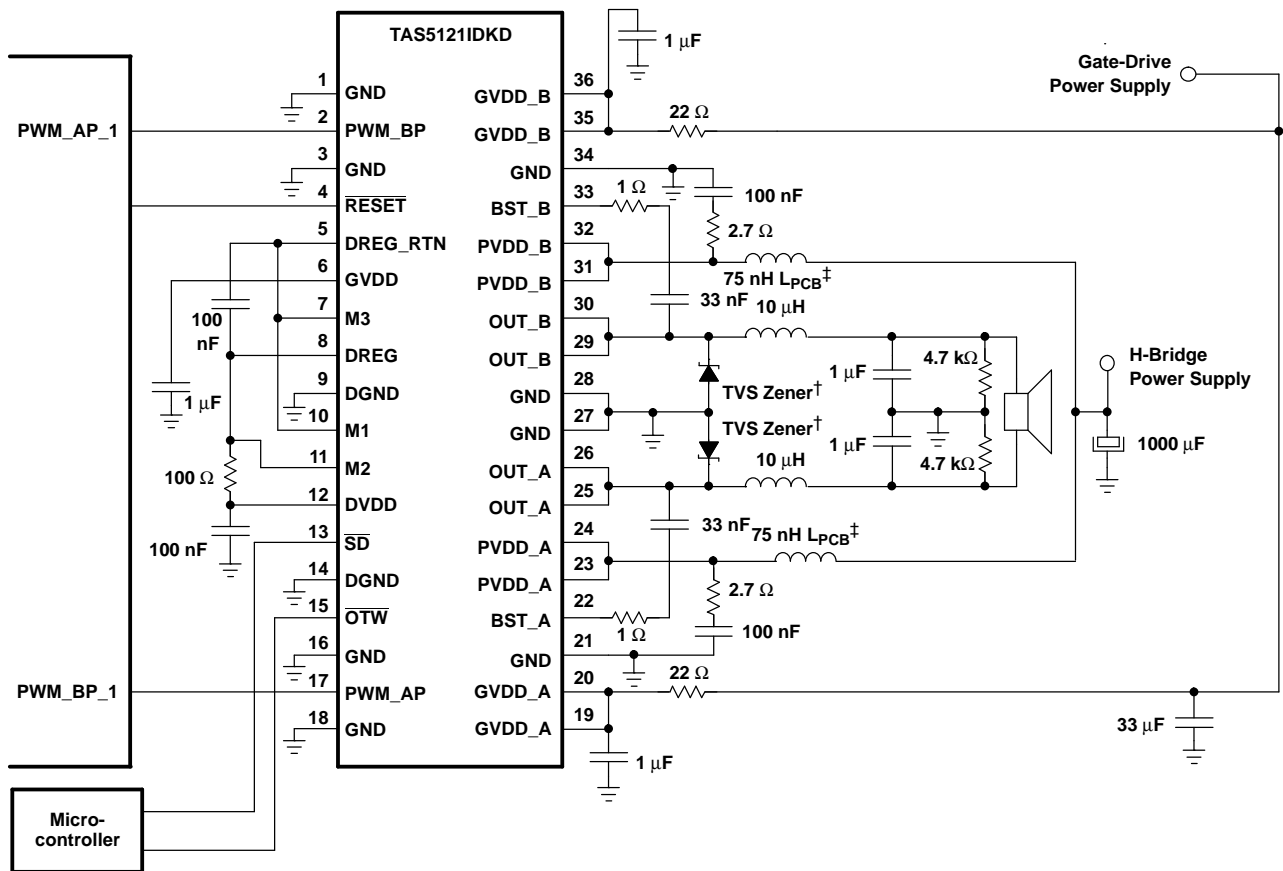
(1) To optimize device performance and prevent overcurrent (OC) protection activation, the demodulation filter must be designed with special care. See *Demodulation Filter Design* in the *Application Information* section of this data sheet and consider the recommended inductors and capacitors for optimal performance. It is also important to consider PCB design and layout for optimum performance of the TAS51211.

**ELECTRICAL CHARACTERISTICS (continued)**

PVDD\_X = 30.5 V, GVDD\_x = 12 V, DVDD connected to DREG via a 100-Ω resistor,  $R_L = 4 \Omega$ ,  $8X f_s = 384 \text{ kHz}$ , TAS5026 PWM processor, unless otherwise noted

SYMBOL	PARAMETER	TEST CONDITIONS	OVER TEMPERATURE				
			T <sub>A</sub> =25°C	T <sub>A</sub> =25°C	T <sub>Case</sub> =75°C	UNITS	MIN/TYP/MAX
<b>STATIC DIGITAL INPUT SPECIFICATION, PWM, PROTECTION MODE SELECTION PINS, AND OUTPUT MODE SELECTION PINS</b>							
V <sub>IH</sub>	High-level input voltage			2		V	Min
				DVDD		V	Max
V <sub>IL</sub>	Low-level input voltage			0.8		V	Max
Leakage	Input leakage current			-10		μA	Min
				10		μA	Max
<b>OTW/SHUTDOWN (SD)</b>							
	Internal pullup resistor from $\overline{\text{OTW}}$ and $\overline{\text{SD}}$ to DVDD		32	22		kΩ	Min
V <sub>OL</sub>	Low-level output voltage	I <sub>O</sub> = 1 mA		0.4		V	Max

**TYPICAL APPLICATION CONFIGURATION USED WITH TAS5026 PWM PROCESSOR**



† Voltage suppressor diodes: 1SMA33CAT3  
‡ L<sub>PCB</sub> : Track in the PCB (1 mm wide and 50 mm long)

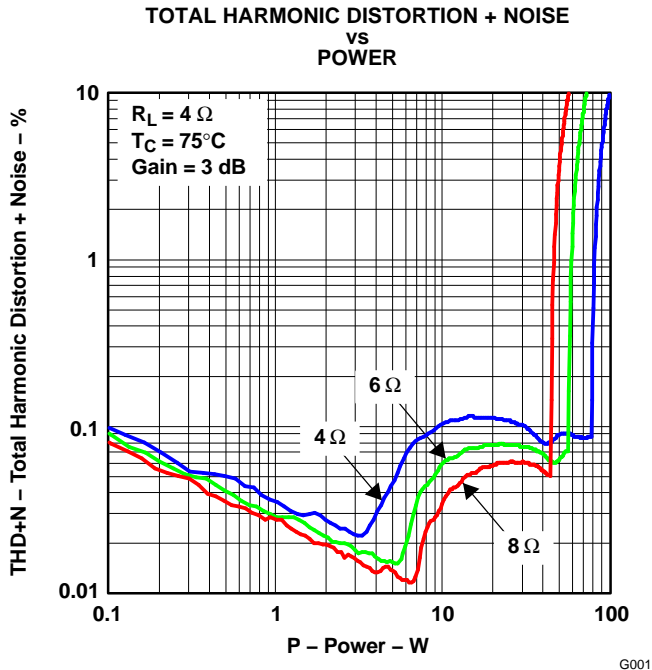


Figure 1.

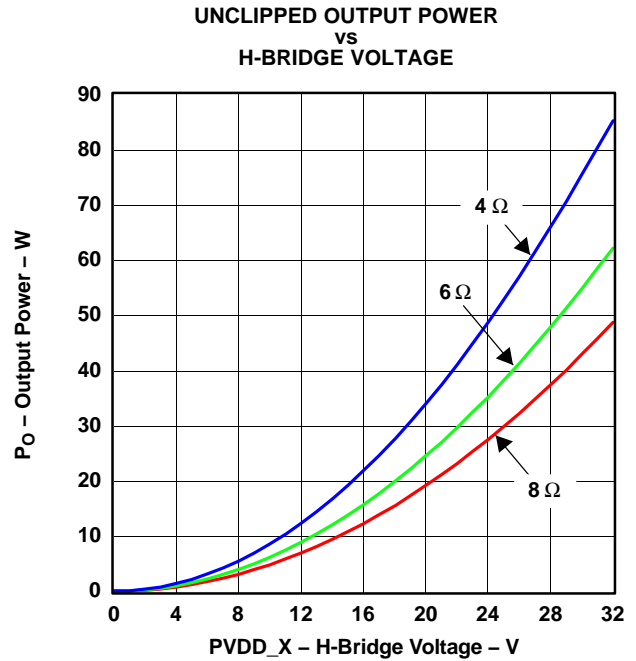


Figure 2.

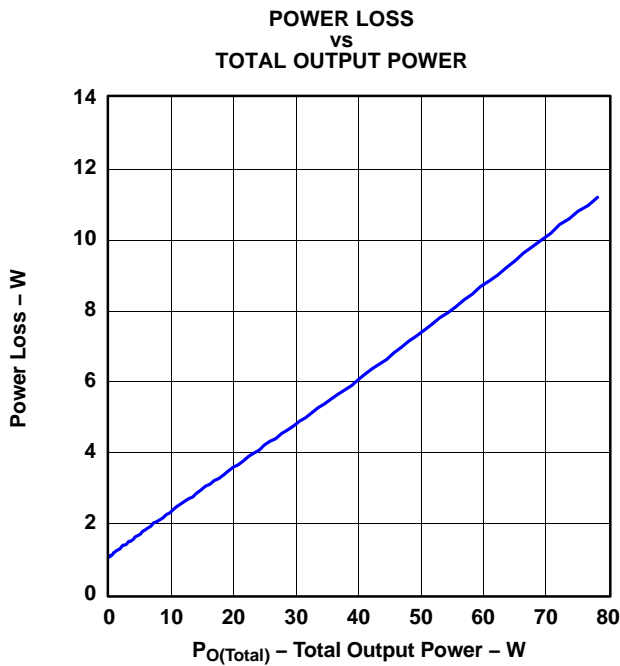


Figure 3.

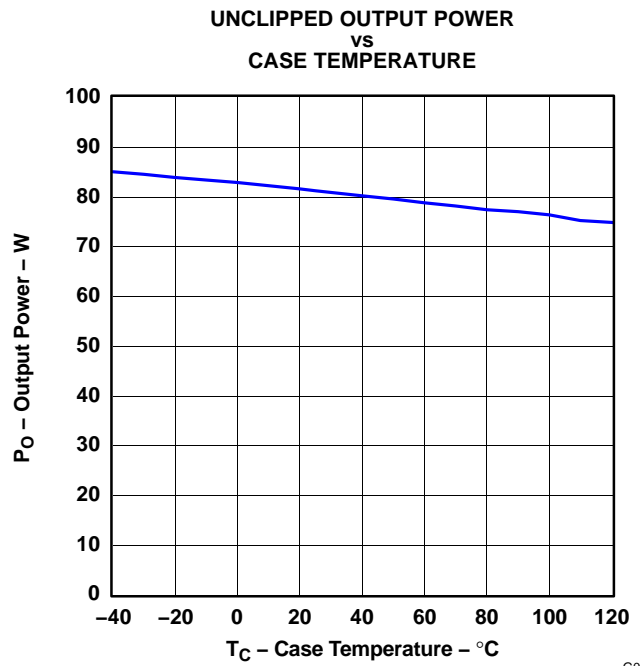


Figure 4.

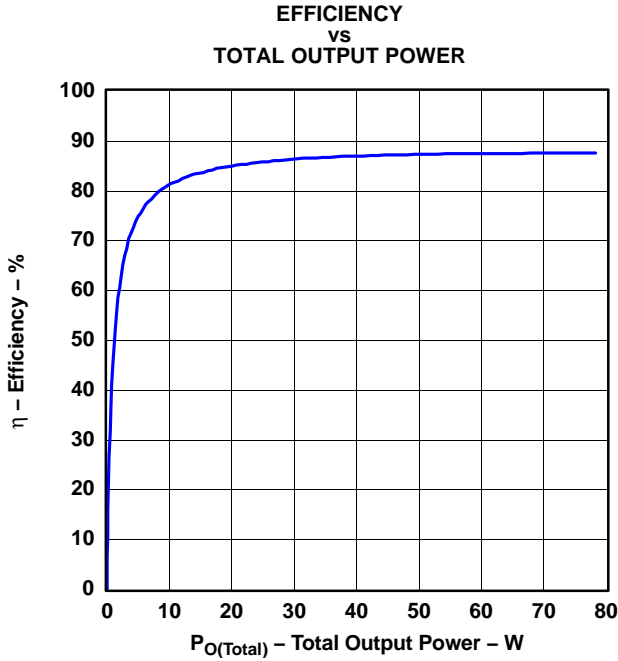
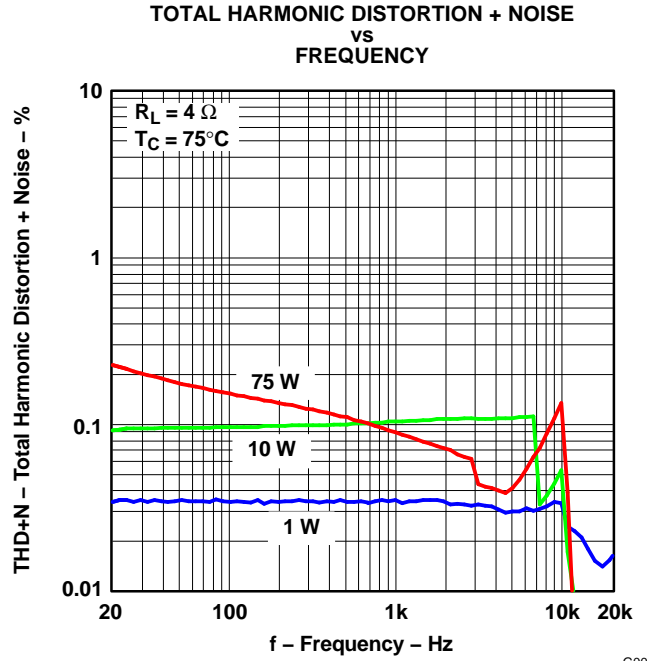


Figure 5.



G006

Figure 6.

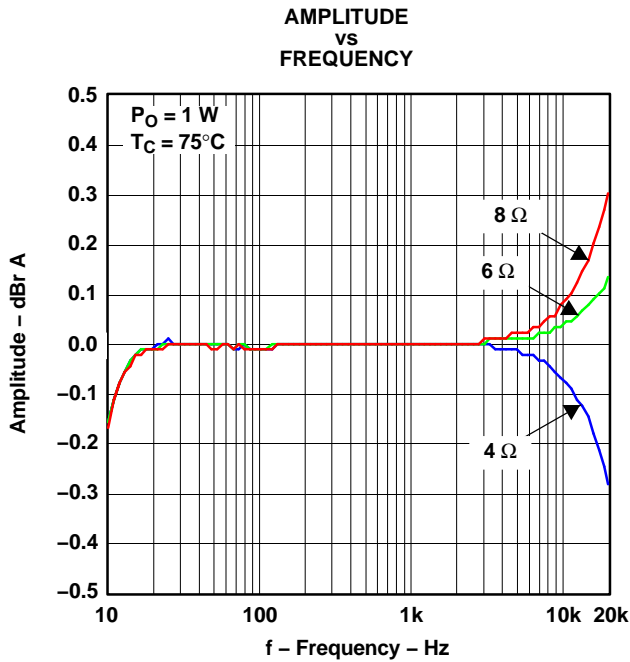


Figure 7.

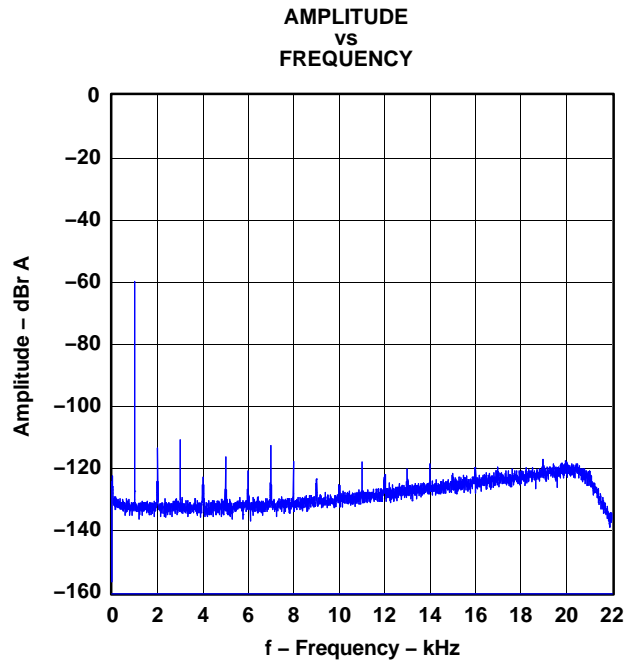


Figure 8.

## THEORY OF OPERATION

### POWER SUPPLIES

This power device requires only two power supply voltages: GVDD\_x and PVDD\_x.

GVDD\_x is the gate drive supply for the device, which is usually supplied from an external 12-V power supply. GVDD\_x is also connected to an internal LDR that regulates the GVDD\_x voltage down to the logic power supply, 3.3 V, for the TAS51211 internal logic blocks. Each GVDD\_x pin is decoupled to system ground by a 1- $\mu$ F capacitor.

PVDD\_x is the H-bridge power supply. Two power pins are provided for each half-bridge due to the high current density. It is important to follow the circuit and PCB layout recommendations for the design of the PVDD\_x connection. For component suggestions, see the *Typical Application Configuration Used With TAS5026 PWM Processor* section in this document. Following these recommendations is important because they influence key system parameters such as EMI, idle current, and audio performance.

When GVDD\_x is applied, while  $\overline{\text{RESET}}$  is held low, the error latches are cleared,  $\overline{\text{SHUTDOWN}}$  is set high, and the outputs are held in a high-impedance state. The bootstrap (BST) capacitor is charged by the current path through the internal BST diode and external resistors placed on the PCB from each OUT\_x pin to ground.

Ideally, PVDD\_x is applied after GVDD\_x. When GVDD\_x and PVDD\_x are applied, the TAS51211 is ready for operation. PWM input signals can then be applied any time during the power-on sequence, but they must be active and stable before  $\overline{\text{RESET}}$  is set high.

### Recommendations for Powering Up

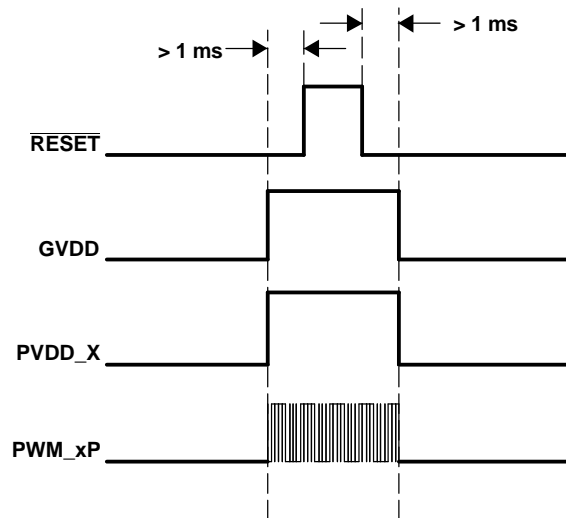


Table 1 describes the input conditions and the output states of the device.

**Table 1. Input/Output States**

INPUTS				OUTPUTS		CONDITION DESCRIPTION
$\overline{\text{RESET}}$	PWM_AP	PWM_BP	$\overline{\text{SHUTDOWN}}$	OUT_A	OUT_B	
X	X	X	0	Hi-Z	Hi-Z	Shutdown
0	X	X	1	Hi-Z	Hi-Z	Reset
1	0	0	1	GND	GND	
1	0	0	1	PVDD	PVDD	Normal
1	0	1	1	GND	PVDD	Normal
1	1	1	1	PVDD	PVDD	Reserved

After the previously mentioned conditions are met, the device output begins. If PWM\_AP is equal to a high and PWM\_BP is equal to a low, the high-side MOSFET in the A half-bridge of the output H-bridge conducts while the

## THEORY OF OPERATION (continued)

low-side MOSFET in the A half-bridge is not conducting. Because the source of the high-side MOSFET is referenced to the drain of the low-side MOSFET, a bootstrapped capacitor is used to eliminate the need for additional high-voltage power supplies. Under this condition, the opposite is true for the B half-bridge of the output H-bridge. The low-side MOSFET in the B half-bridge conducts while the high-side MOSFET is not conducting; therefore, the load connected between the OUT\_A and OUT\_B pins has PVDD applied to it from the A side while ground is applied from the B side for the period of time PWM\_AP is high and PWM\_BP is low. Furthermore, when the PWM signals change to the condition where PWM\_AP is low and PWM\_BP is high, the opposite condition exists.

A constant high level is not permitted on the PWM inputs. This condition causes the BST capacitors to discharge and can cause device damage.

A digitally controlled dead-time circuit controls the transitions between the high-side and low-side MOSFETs to ensure that both devices in each half-bridge are not conducting simultaneously.

## POWERING DOWN

For power down of the TAS5121I, an opposite approach is necessary. The  $\overline{\text{RESET}}$  must be asserted LOW before the valid PWM signal is removed.

## PRECAUTION

The TAS5121I must always start up in the high-impedance (Hi-Z) state. In this state, the BST capacitor is precharged by a resistor on each PWM output node to ground. See *Typical Application Configuration Used With TAS5026 PWM Processor*. This ensures that the TAS5121I is ready for receiving PWM pulses, indicating either HIGH- or LOW-side turnon after RESET is deasserted to the power stage.

With the following pulldown resistor and BST capacitor size, the BST charge time is:

- $C = 33 \text{ nF}$ ,  $R = 4.7 \text{ k}\Omega$
- $R \times C \times 5 = 775.5 \mu\text{s}$

After GVDD has been applied, it takes approximately 800  $\mu\text{s}$  to fully charge the BST capacitor. During this time, RESET must be kept low. After approximately 1 ms, the power-stage BST is charged and ready. RESET can now be released if the PWM modulator is ready and is streaming valid PWM signals to the device. Valid PWM signals are switching PWM signals with a frequency between 350-400 kHz. A constant HIGH level on PWM+ forces the high-side MOSFET ON until it eventually runs out of BST capacitor energy. Putting the device in this condition should be avoided.

In practice, this means that the DVDD-to-PWM processor (modulator) should be stable, and initialization should be completed before RESET is deasserted to the TAS5121I.

## CONTROL I/O

### SHUTDOWN PIN: $\overline{\text{SD}}$

The  $\overline{\text{SD}}$  pin functions as an output pin and is intended for protection-mode signaling to, for example, a controller or other front-end device. The pin is open-drain with an internal pullup to DVDD.

The logic output is, as shown in Table 2, a combination of the device state and  $\overline{\text{RESET}}$  input.

**Table 2. Error Indication**

$\overline{\text{SD}}$	$\overline{\text{RESET}}$	DESCRIPTION
0	0	Reserved
0	1	Device in protection mode, i.e., UVP and/or OC and/or OT error
1 <sup>(1)</sup>	0	Device set high-impedance (Hi-Z), $\overline{\text{SD}}$ forced high
1	1	Normal operation

(1)  $\overline{\text{SD}}$  is independent from  $\overline{\text{RESET}}$ . This is desirable to maintain compatibility with some TI PWM modulators.

## OVERTEMPERATURE WARNING PIN: $\overline{OTW}$

The  $\overline{OTW}$  pin gives a temperature warning signal when temperature exceeds the set limit, as shown in Table 3. The pin is of the open-drain type with an internal pullup to DVDD.

**Table 3.  $\overline{OTW}$  Temperature Indication**

$\overline{OTW}$	DESCRIPTION
0	Junction temperature higher than 115°C
1	Junction temperature lower than 115°C

## OVERALL REPORTING

The  $\overline{SD}$  pin, together with the  $\overline{OTW}$  pin, gives chip state information as described in Table 4.

**Table 4. Error Signal Decoding**

$\overline{OTW}$	$\overline{SD}$	DESCRIPTION
0	0	Overtemperature error (OTE)
0	1	Overtemperature warning (OTW)
1	0	Overcurrent (OC) or undervoltage (UVP) error
1	1	Normal operation, no errors/warnings

## CHIP PROTECTION

The TAS51211 protection function is generally implemented in a closed-loop control system with, for example, a system controller. The TAS51211 contains three individual systems protecting the device against fault conditions. All of the error events result in the output stage being set in a high-impedance state (Hi-Z) for maximum protection of the device and connected equipment.

The device can be recovered by toggling  $\overline{RESET}$  low and then high, after all errors are cleared. It is recommended that if the error persists, the device is held in reset until user intervention clears the error.

## OVERCURRENT (OC) PROTECTION

The device has individual current protection on both high-side and low-side power-stage FETs. The OC protection works only with the demodulation filter present at the output. See *Filter Demodulation Design* in the *Application Information* section of this data sheet for design constraints.

## OVERTEMPERATURE (OT) PROTECTION

A dual-temperature protection system asserts a warning signal when the device junction temperature exceeds 115°C and shuts down the device when the junction temperature exceeds 150°C. The OT protection circuit is shared by both half-bridges.

## UNDERVOLTAGE PROTECTION (UVP)

Undervoltage lockout occurs when GVDD is insufficient for proper device operation. The UV protection system protects the device under fault power-up and power-down situations by shutting the device down. The UV protection circuits are shared by both half-bridges.

## RESET FUNCTION

The reset has two functions:

- Reset the power stage after a latched error event.
- Hard mute—when  $\overline{RESET}$  is asserted, the power stage stops switching.

In protection modes where the reset input functions as the means to re-enable operation after an error event, the error latch is cleared on the falling edge of  $\overline{RESET}$ , and normal operation is resumed on the rising edge of  $\overline{RESET}$ .

## PROTECTION MODE

### LATCHED SHUTDOWN ON ALL ERRORS

In latched shutdown mode, all error situations result in a permanent shutdown (output stage Hi-Z). Re-enabling can be done by toggling the  $\overline{\text{RESET}}$  pin.

### MODE PINS SELECTION

The protection mode is selected by connecting M1/M2 to DREG or DGND according to Table 5.

**Table 5. Protection Mode Selection**

M1	M2	PROTECTION MODE
0	0	Reserved
0	1	Latched shutdown on all errors
1	0	Reserved
1	1	Reserved

The output configuration mode is selected by connecting the M3 pin to DREG or DGND according to Table 6.

**Table 6. Output Mode Selection**

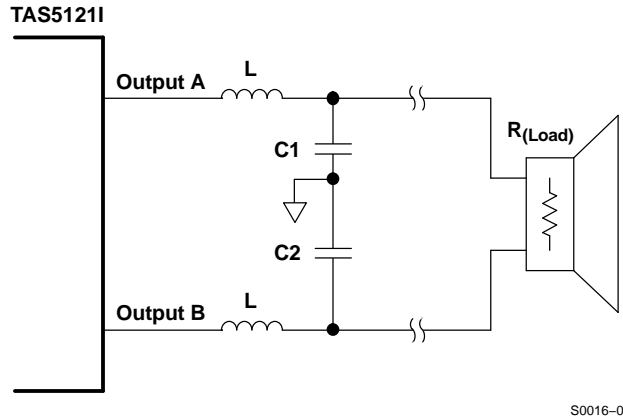
M3	OUTPUT MODE
0	Bridge-tied load output stage (BTL)
1	Reserved

## APPLICATION INFORMATION

### DEMODULATION FILTER DESIGN

The TAS51211 amplifier outputs are driven by high-current DMOS transistors in an H-bridge configuration. These transistors are either off or fully on.

The result is a square-wave output signal with a duty cycle that is proportional to the amplitude of the audio signal. It is recommended that a second-order LC filter be used to recover the audio signal.



**Figure 9. Demodulation Filter**

The main purpose of the demodulation filter is to attenuate the high-frequency components of the output signals that are out of the audio band.

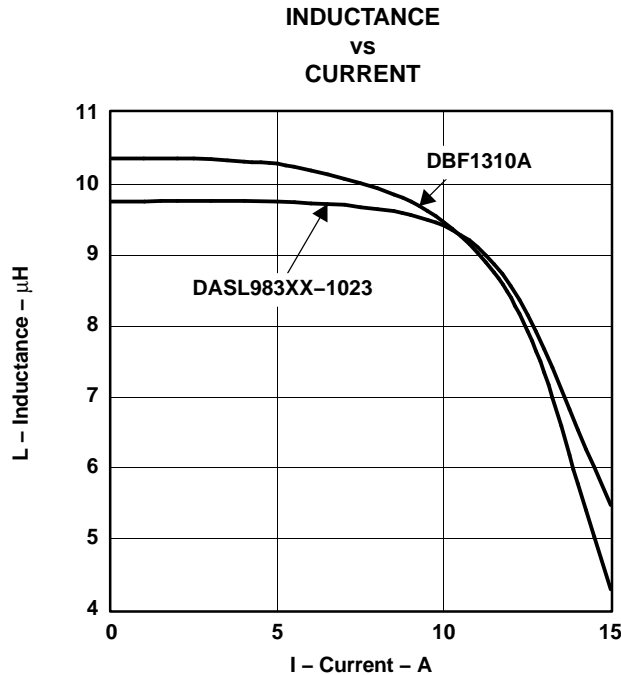
Design of the demodulation filter significantly affects the audio performance of the power amplifier. Therefore, to ensure proper operation of the OC protection circuit and meet the device THD+N specification, the selection of the inductors used in the output filter should be carefully considered. The rule is that the inductance should remain stable within the range of peak current seen at maximum output power and deliver approximately 5  $\mu\text{H}$  of inductance at 15 A.

If this rule is observed, the TAS51211 should not have distortion issues due to the output inductors. This prevents device damage due to overcurrent conditions because of inductor saturation in the output filter.

Another parameter to be considered is the idle current loss in the inductor. This can be measured or specified as inductor dissipation (D). The target specification for dissipation is less than 0.05. If this specification is not met, idle current increases.

In general, 10- $\mu\text{H}$  inductors suffice for most applications. The frequency response of the amplifier is slightly altered by the change in output load resistance; however, unless tight control of frequency response is necessary (better than 0.5 dB), it is not necessary to deviate from 10  $\mu\text{H}$ .

The graphs in Figure 10 display the inductance-versus-current characteristics of two inductors that are suggested for use with the TAS51211.

**APPLICATION INFORMATION (continued)****Figure 10. Inductance Saturation**

The selection of the capacitors that are placed from the output of each inductor to ground is simple. To complete the output filter, use a 1- $\mu$ F capacitor with a voltage rating at least twice the voltage applied to the output stage (PVDD\_x).

This capacitor should be a good quality polyester dielectric.

**THERMAL INFORMATION**

The following information is provided as an example.

The thermally enhanced package provided with the TAS5121I is designed to be interfaced directly to a heatsink using a thermal interface compound (for example, Wakefield Engineering type 126 thermal grease.) The heatsink then absorbs heat from the ICs and transfers it to the ambient air. If the heatsink is carefully designed, this process can reach equilibrium and heat can be continually removed from the ICs without device overtemperature shutdown. Because of the efficiency of the TAS5121I, heatsinks are smaller than those required for linear amplifiers of equivalent performance.

$R_{\theta JA}$  is a system thermal resistance from junction to ambient air. As such, it is a system parameter with roughly the following components:

- $R_{\theta JC}$  (the thermal resistance from junction to case, or in this case the metal pad)
- Heatsink compound thermal resistance
- Heatsink thermal resistance

The thermal grease thermal resistance can be calculated from the exposed pad area and the thermal grease manufacturer's area thermal resistance (expressed in  $^{\circ}\text{C-in}^2/\text{W}$ ). The area thermal resistance of the example thermal grease with a 0.001-inch-thick layer is about  $0.054\text{ }^{\circ}\text{C-in}^2/\text{W}$ . The approximate exposed pad area is as follows:

36-pin PSOP3             $0.116\text{ in}^2$

Dividing the example thermal grease area resistance by the area of the pad gives the actual resistance through the thermal grease for the device:

**APPLICATION INFORMATION (continued)**

36-pin PSOP3            0.47 °C/W

The thermal resistance of thermally conductive pads is generally higher than a thin thermal grease layer. Thermal tape has an even higher thermal resistance and should not be used with this package.

Heatsink thermal resistance is generally predicted by the heatsink vendor, modeled using a continuous flow dynamics (CFD) model, or measured.

Thus, for a single monaural IC, the system  $R_{\theta JA} = R_{\theta JC} + \text{thermal grease resistance} + \text{heatsink resistance}$ .

Table 7 indicates modeled parameters for one TAS51211 IC on a heatsink. The junction temperature is set at 110°C while delivering 70 W RMS into 4-Ω loads with no clipping. It is assumed that the thermal grease is about 0.001 inch thick (this is critical).

**Table 7. Example of Thermal Simulation**

	<b>36-PIN PSOP3</b>
Ambient temperature	25°C
Power to load	70 W
Delta T inside package	5.5°C
Delta T through thermal grease	3.2°C
Required heatsink thermal resistance	11.0°C/W
Junction temperature	110°C
System $R_{\theta JA}$	12.3°C/W
$R_{\theta JA} * \text{power dissipation}$	85°C
$R_{\theta JC}$	0.85°C/W

As an indication of the importance of keeping the thermal grease layer thin, if the thermal grease layer increases to 0.002 inches thick, the required heatsink thermal resistance increases to 5.2°C/W for the PSOP3 package.

**REFERENCES**

1. *Digital Audio Measurements* application report – TI ([SLAA114](#))
2. *PowerPAD™ Thermally Enhanced Package* technical brief – TI ([SLMA002](#))
3. *System Design Considerations for True Digital Audio Power Amplifiers* application report – TI ([SLAA117](#))
4. *Voltage Spike Measurement Technique and Specification* application note – TI ([SLEA025](#))

**PACKAGING INFORMATION**

Orderable Device	Status (1)	Package Type	Package Drawing	Pins	Package Qty	Eco Plan (2)	Lead/Ball Finish (6)	MSL Peak Temp (3)	Op Temp (°C)	Device Marking (4/5)	Samples
TAS5121IDKD	ACTIVE	HSSOP	DKD	36	29	Green (RoHS & no Sb/Br)	CU NIPDAU	Level-4-260C-72 HR	-40 to 85	TAS51211	<a href="#">Samples</a>
TAS5121IDKDE4	ACTIVE	HSSOP	DKD	36	29	Green (RoHS & no Sb/Br)	CU NIPDAU	Level-4-260C-72 HR	-40 to 85	TAS51211	<a href="#">Samples</a>
TAS5121IDKDR	ACTIVE	HSSOP	DKD	36	500	Green (RoHS & no Sb/Br)	CU NIPDAU	Level-4-260C-72 HR	-40 to 85	TAS51211	<a href="#">Samples</a>

(1) The marketing status values are defined as follows:

**ACTIVE:** Product device recommended for new designs.

**LIFEBUY:** TI has announced that the device will be discontinued, and a lifetime-buy period is in effect.

**NRND:** Not recommended for new designs. Device is in production to support existing customers, but TI does not recommend using this part in a new design.

**PREVIEW:** Device has been announced but is not in production. Samples may or may not be available.

**OBsolete:** TI has discontinued the production of the device.

(2) Eco Plan - The planned eco-friendly classification: Pb-Free (RoHS), Pb-Free (RoHS Exempt), or Green (RoHS & no Sb/Br) - please check <http://www.ti.com/productcontent> for the latest availability information and additional product content details.

**TBD:** The Pb-Free/Green conversion plan has not been defined.

**Pb-Free (RoHS):** TI's terms "Lead-Free" or "Pb-Free" mean semiconductor products that are compatible with the current RoHS requirements for all 6 substances, including the requirement that lead not exceed 0.1% by weight in homogeneous materials. Where designed to be soldered at high temperatures, TI Pb-Free products are suitable for use in specified lead-free processes.

**Pb-Free (RoHS Exempt):** This component has a RoHS exemption for either 1) lead-based flip-chip solder bumps used between the die and package, or 2) lead-based die adhesive used between the die and leadframe. The component is otherwise considered Pb-Free (RoHS compatible) as defined above.

**Green (RoHS & no Sb/Br):** TI defines "Green" to mean Pb-Free (RoHS compatible), and free of Bromine (Br) and Antimony (Sb) based flame retardants (Br or Sb do not exceed 0.1% by weight in homogeneous material)

(3) MSL, Peak Temp. - The Moisture Sensitivity Level rating according to the JEDEC industry standard classifications, and peak solder temperature.

(4) There may be additional marking, which relates to the logo, the lot trace code information, or the environmental category on the device.

(5) Multiple Device Markings will be inside parentheses. Only one Device Marking contained in parentheses and separated by a "~" will appear on a device. If a line is indented then it is a continuation of the previous line and the two combined represent the entire Device Marking for that device.

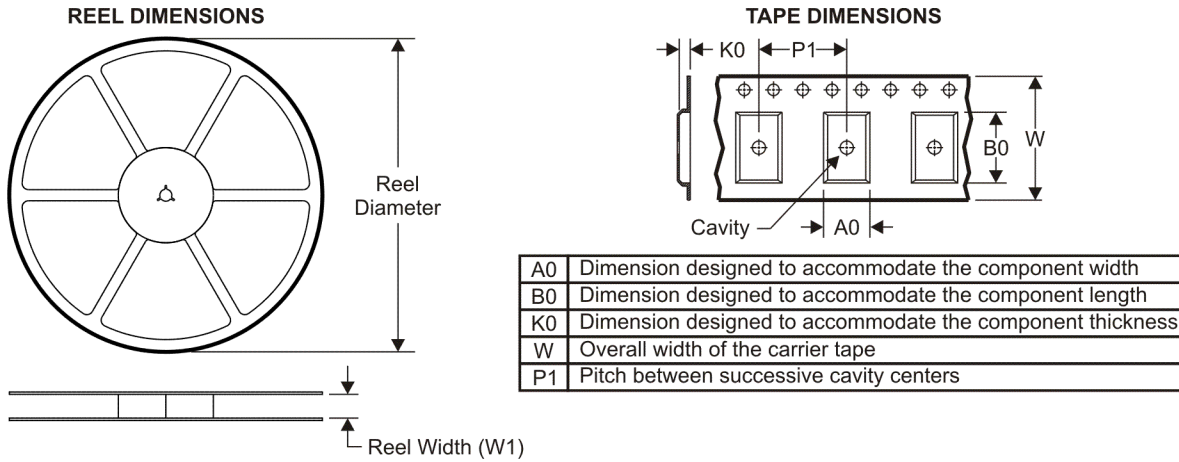
(6) Lead/Ball Finish - Orderable Devices may have multiple material finish options. Finish options are separated by a vertical ruled line. Lead/Ball Finish values may wrap to two lines if the finish value exceeds the maximum column width.

**Important Information and Disclaimer:** The information provided on this page represents TI's knowledge and belief as of the date that it is provided. TI bases its knowledge and belief on information provided by third parties, and makes no representation or warranty as to the accuracy of such information. Efforts are underway to better integrate information from third parties. TI has taken and

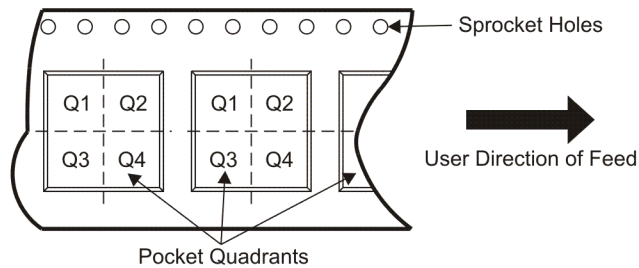
continues to take reasonable steps to provide representative and accurate information but may not have conducted destructive testing or chemical analysis on incoming materials and chemicals. TI and TI suppliers consider certain information to be proprietary, and thus CAS numbers and other limited information may not be available for release.

In no event shall TI's liability arising out of such information exceed the total purchase price of the TI part(s) at issue in this document sold by TI to Customer on an annual basis.

**TAPE AND REEL INFORMATION**



**QUADRANT ASSIGNMENTS FOR PIN 1 ORIENTATION IN TAPE**



\*All dimensions are nominal

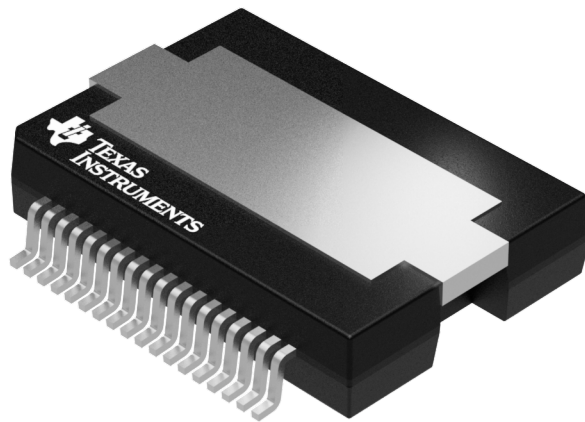
Device	Package Type	Package Drawing	Pins	SPQ	Reel Diameter (mm)	Reel Width W1 (mm)	A0 (mm)	B0 (mm)	K0 (mm)	P1 (mm)	W (mm)	Pin1 Quadrant
TAS5121IDKDR	HSSOP	DKD	36	500	330.0	24.4	14.7	16.4	4.0	20.0	24.0	Q1

**TAPE AND REEL BOX DIMENSIONS**



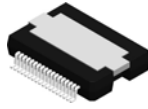
\*All dimensions are nominal

Device	Package Type	Package Drawing	Pins	SPQ	Length (mm)	Width (mm)	Height (mm)
TAS5121IDKDR	HSSOP	DKD	36	500	337.0	343.0	41.0



Images above are just a representation of the package family, actual package may vary.  
Refer to the product data sheet for package details.

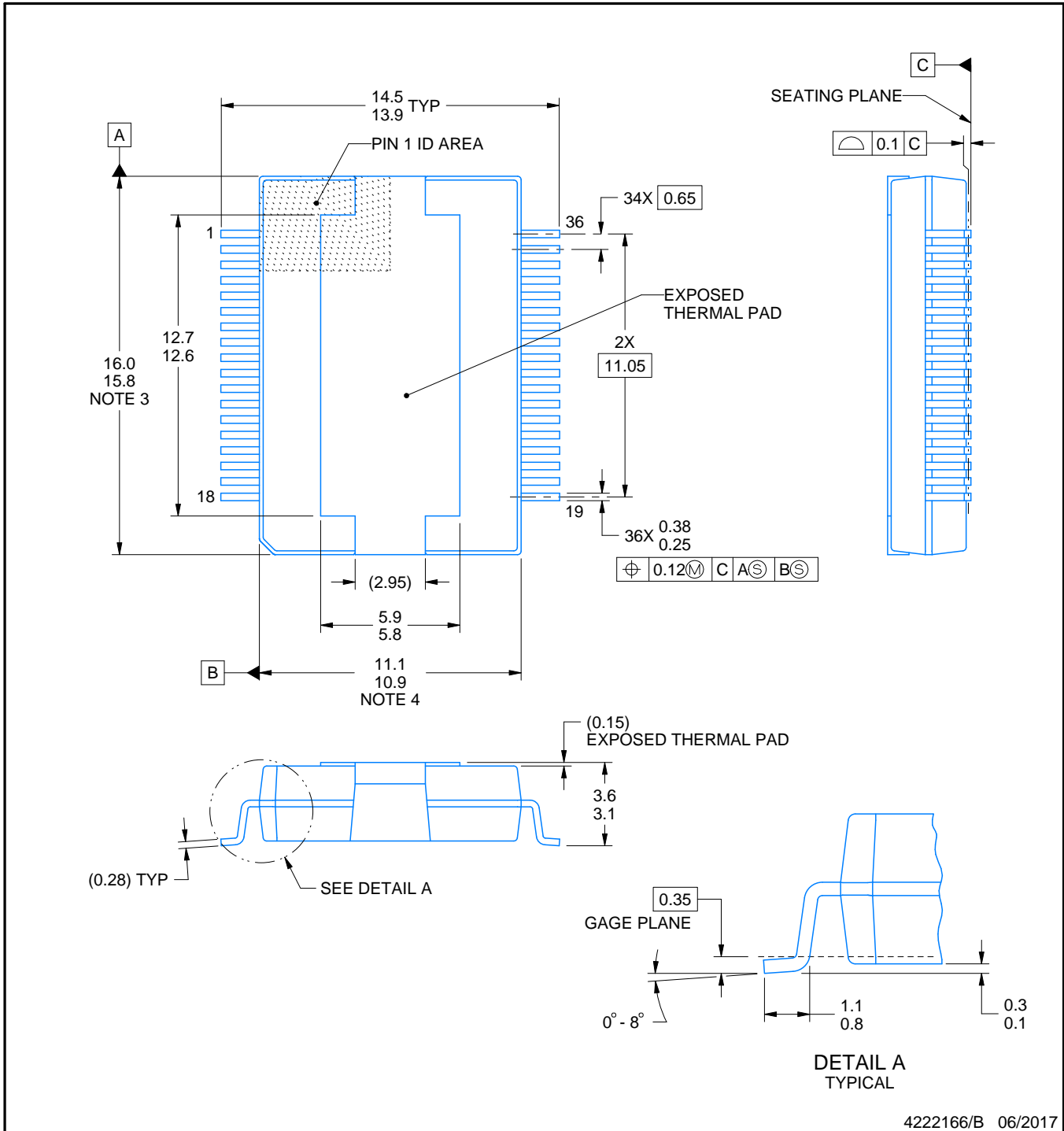
DKD0036A



PACKAGE OUTLINE

PowerPAD™ SSOP - 3.6 mm max height

PLASTIC SMALL OUTLINE



4222166/B 06/2017

NOTES:

PowerPAD is a trademark of Texas Instruments.

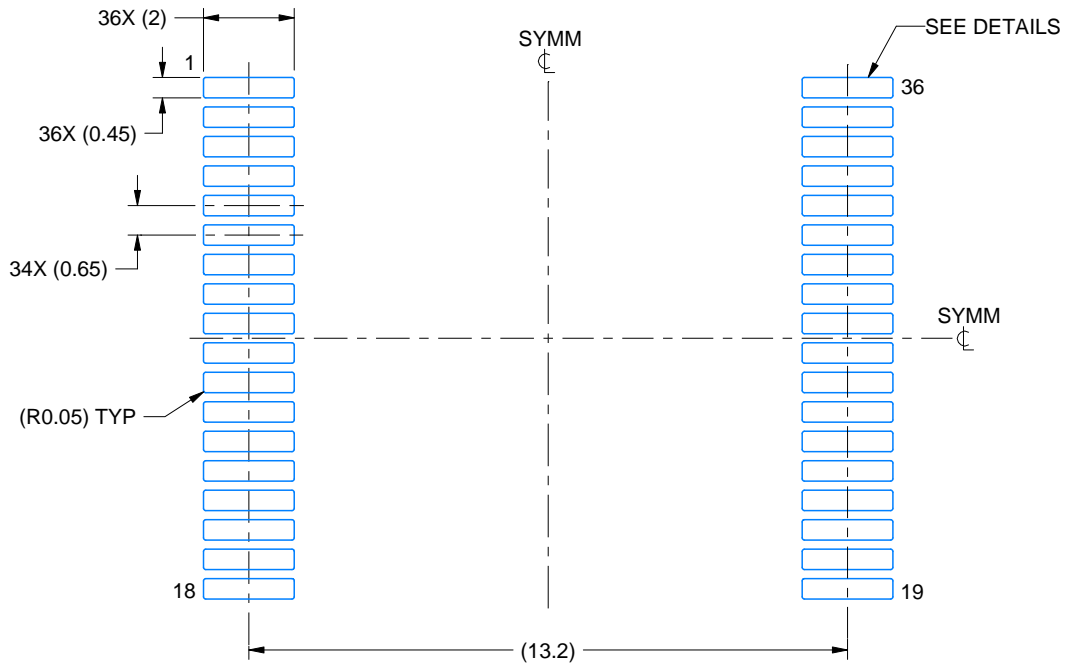
1. All linear dimensions are in millimeters. Any dimensions in parenthesis are for reference only. Dimensioning and tolerancing per ASME Y14.5M.
2. This drawing is subject to change without notice.
3. This dimension does not include mold flash, protrusions, or gate burrs. Mold flash, protrusions, or gate burrs shall not exceed 0.15 mm per side.
4. The exposed thermal pad is designed to be attached to an external heatsink.

# EXAMPLE BOARD LAYOUT

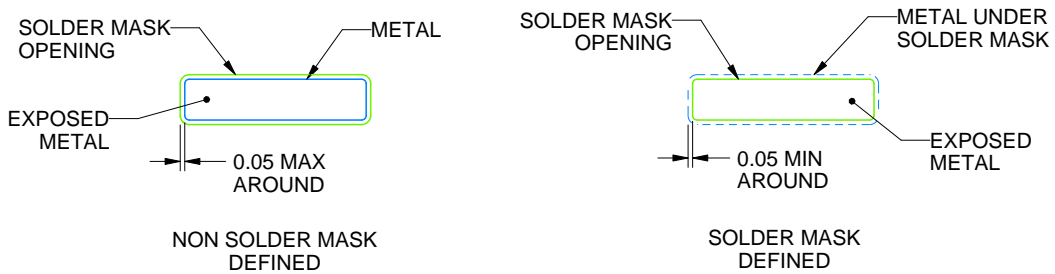
DKD0036A

PowerPAD™ SSOP - 3.6 mm max height

PLASTIC SMALL OUTLINE



LAND PATTERN EXAMPLE  
EXPOSED METAL SHOWN  
SCALE:6X



SOLDER MASK DETAILS  
NOT TO SCALE

4222166/B 06/2017

NOTES: (continued)

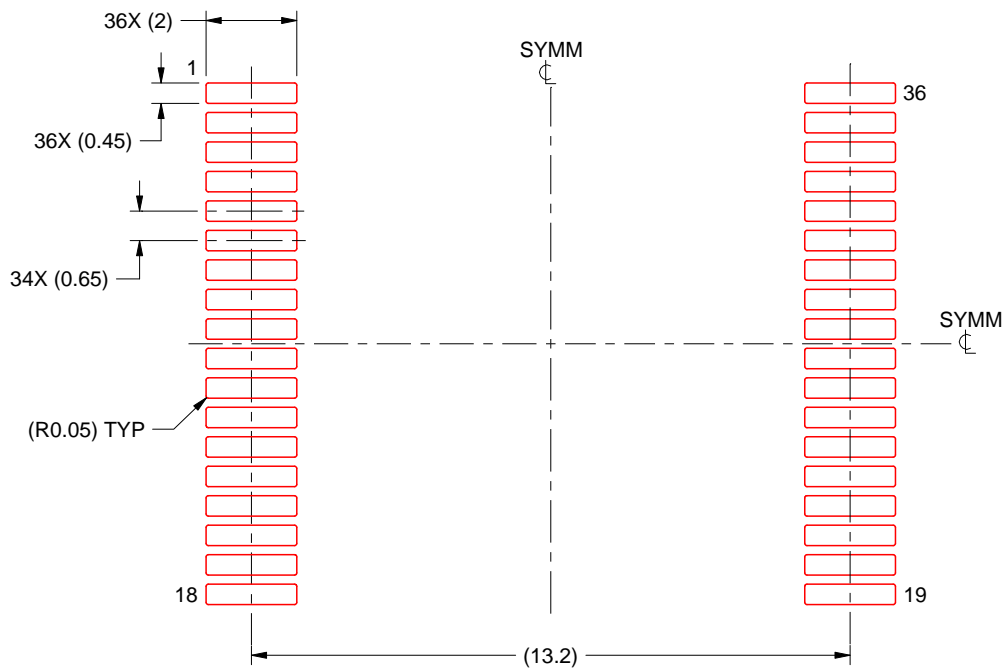
- 5. Publication IPC-7351 may have alternate designs.
- 6. Solder mask tolerances between and around signal pads can vary based on board fabrication site.

# EXAMPLE STENCIL DESIGN

DKD0036A

PowerPAD™ SSOP - 3.6 mm max height

PLASTIC SMALL OUTLINE



SOLDER PASTE EXAMPLE  
BASED ON 0.125 MM THICK STENCIL  
SCALE:6X

4222166/B 06/2017

NOTES: (continued)

7. Laser cutting apertures with trapezoidal walls and rounded corners may offer better paste release. IPC-7525 may have alternate design recommendations.
8. Board assembly site may have different recommendations for stencil design.

## IMPORTANT NOTICE

Texas Instruments Incorporated (TI) reserves the right to make corrections, enhancements, improvements and other changes to its semiconductor products and services per JESD46, latest issue, and to discontinue any product or service per JESD48, latest issue. Buyers should obtain the latest relevant information before placing orders and should verify that such information is current and complete.

TI's published terms of sale for semiconductor products (<http://www.ti.com/sc/docs/stdterms.htm>) apply to the sale of packaged integrated circuit products that TI has qualified and released to market. Additional terms may apply to the use or sale of other types of TI products and services.

Reproduction of significant portions of TI information in TI data sheets is permissible only if reproduction is without alteration and is accompanied by all associated warranties, conditions, limitations, and notices. TI is not responsible or liable for such reproduced documentation. Information of third parties may be subject to additional restrictions. Resale of TI products or services with statements different from or beyond the parameters stated by TI for that product or service voids all express and any implied warranties for the associated TI product or service and is an unfair and deceptive business practice. TI is not responsible or liable for any such statements.

Buyers and others who are developing systems that incorporate TI products (collectively, "Designers") understand and agree that Designers remain responsible for using their independent analysis, evaluation and judgment in designing their applications and that Designers have full and exclusive responsibility to assure the safety of Designers' applications and compliance of their applications (and of all TI products used in or for Designers' applications) with all applicable regulations, laws and other applicable requirements. Designer represents that, with respect to their applications, Designer has all the necessary expertise to create and implement safeguards that (1) anticipate dangerous consequences of failures, (2) monitor failures and their consequences, and (3) lessen the likelihood of failures that might cause harm and take appropriate actions. Designer agrees that prior to using or distributing any applications that include TI products, Designer will thoroughly test such applications and the functionality of such TI products as used in such applications.

TI's provision of technical, application or other design advice, quality characterization, reliability data or other services or information, including, but not limited to, reference designs and materials relating to evaluation modules, (collectively, "TI Resources") are intended to assist designers who are developing applications that incorporate TI products; by downloading, accessing or using TI Resources in any way, Designer (individually or, if Designer is acting on behalf of a company, Designer's company) agrees to use any particular TI Resource solely for this purpose and subject to the terms of this Notice.

TI's provision of TI Resources does not expand or otherwise alter TI's applicable published warranties or warranty disclaimers for TI products, and no additional obligations or liabilities arise from TI providing such TI Resources. TI reserves the right to make corrections, enhancements, improvements and other changes to its TI Resources. TI has not conducted any testing other than that specifically described in the published documentation for a particular TI Resource.

Designer is authorized to use, copy and modify any individual TI Resource only in connection with the development of applications that include the TI product(s) identified in such TI Resource. NO OTHER LICENSE, EXPRESS OR IMPLIED, BY ESTOPPEL OR OTHERWISE TO ANY OTHER TI INTELLECTUAL PROPERTY RIGHT, AND NO LICENSE TO ANY TECHNOLOGY OR INTELLECTUAL PROPERTY RIGHT OF TI OR ANY THIRD PARTY IS GRANTED HEREIN, including but not limited to any patent right, copyright, mask work right, or other intellectual property right relating to any combination, machine, or process in which TI products or services are used. Information regarding or referencing third-party products or services does not constitute a license to use such products or services, or a warranty or endorsement thereof. Use of TI Resources may require a license from a third party under the patents or other intellectual property of the third party, or a license from TI under the patents or other intellectual property of TI.

TI RESOURCES ARE PROVIDED "AS IS" AND WITH ALL FAULTS. TI DISCLAIMS ALL OTHER WARRANTIES OR REPRESENTATIONS, EXPRESS OR IMPLIED, REGARDING RESOURCES OR USE THEREOF, INCLUDING BUT NOT LIMITED TO ACCURACY OR COMPLETENESS, TITLE, ANY EPIDEMIC FAILURE WARRANTY AND ANY IMPLIED WARRANTIES OF MERCHANTABILITY, FITNESS FOR A PARTICULAR PURPOSE, AND NON-INFRINGEMENT OF ANY THIRD PARTY INTELLECTUAL PROPERTY RIGHTS. TI SHALL NOT BE LIABLE FOR AND SHALL NOT DEFEND OR INDEMNIFY DESIGNER AGAINST ANY CLAIM, INCLUDING BUT NOT LIMITED TO ANY INFRINGEMENT CLAIM THAT RELATES TO OR IS BASED ON ANY COMBINATION OF PRODUCTS EVEN IF DESCRIBED IN TI RESOURCES OR OTHERWISE. IN NO EVENT SHALL TI BE LIABLE FOR ANY ACTUAL, DIRECT, SPECIAL, COLLATERAL, INDIRECT, PUNITIVE, INCIDENTAL, CONSEQUENTIAL OR EXEMPLARY DAMAGES IN CONNECTION WITH OR ARISING OUT OF TI RESOURCES OR USE THEREOF, AND REGARDLESS OF WHETHER TI HAS BEEN ADVISED OF THE POSSIBILITY OF SUCH DAMAGES.

Unless TI has explicitly designated an individual product as meeting the requirements of a particular industry standard (e.g., ISO/TS 16949 and ISO 26262), TI is not responsible for any failure to meet such industry standard requirements.

Where TI specifically promotes products as facilitating functional safety or as compliant with industry functional safety standards, such products are intended to help enable customers to design and create their own applications that meet applicable functional safety standards and requirements. Using products in an application does not by itself establish any safety features in the application. Designers must ensure compliance with safety-related requirements and standards applicable to their applications. Designer may not use any TI products in life-critical medical equipment unless authorized officers of the parties have executed a special contract specifically governing such use. Life-critical medical equipment is medical equipment where failure of such equipment would cause serious bodily injury or death (e.g., life support, pacemakers, defibrillators, heart pumps, neurostimulators, and implantables). Such equipment includes, without limitation, all medical devices identified by the U.S. Food and Drug Administration as Class III devices and equivalent classifications outside the U.S.

TI may expressly designate certain products as completing a particular qualification (e.g., Q100, Military Grade, or Enhanced Product). Designers agree that it has the necessary expertise to select the product with the appropriate qualification designation for their applications and that proper product selection is at Designers' own risk. Designers are solely responsible for compliance with all legal and regulatory requirements in connection with such selection.

Designer will fully indemnify TI and its representatives against any damages, costs, losses, and/or liabilities arising out of Designer's non-compliance with the terms and provisions of this Notice.

## Looking for pricing, stock, or lifecycle information?

Click below to explore more details on WIN SOURCE:

 [View TAS5121DKDR on WIN SOURCE](#)

 [Texas Instruments](#) Information

## Optimize Your Supply Chain with WIN SOURCE Solutions

-  Global Sourcing Solution
-  Obsolete Management
-  Cost Control Management
-  Shortage Management
-  Alternative Solution
-  Excess Inventory Management