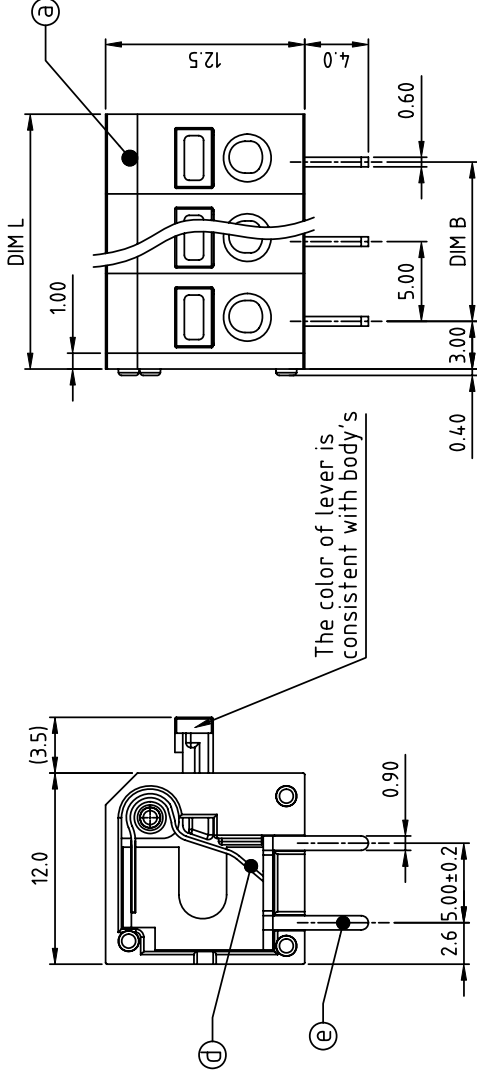
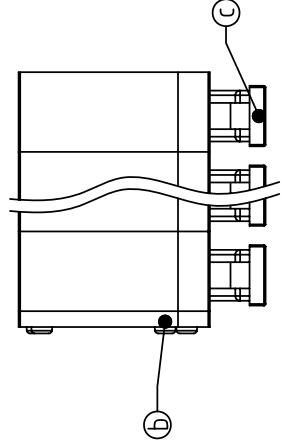




**THE DATASHEET OF
HX110180000G**



PRODUCT NUMBER	PITCH
HXxx01x000J0G	5.00 mm



The color of lever is consistent with body's

N=Number of poles
 Dim L=(N-1)×5.0+6.0
 Dim B=(N-1)×5.0

Poles	Tolerance
1-4p	±0.15
5-9p	±0.20
10-14p	±0.30
15-19p	±0.40
20-24p	±0.50

PART NO.: HX xx 01 x 0 00J0 G

- End stackable 0 Black (RAL9005)
 - No. of poles 2 Red (RAL3001/D)
 - 01 1 poles 3 Orange(RAL2011/P)
 - 02 2 poles 4 Yellow(RAL1018/A)
 - ... 5 Green(RAL6018/T)
 - 24 24 poles 6 Blue (RAL5015/A)
 - 8 Grey(RAL7004/P)
 - 9 White(RAL1102)
 - C Multiple colors
- Color
- RoHS compliant (lead<4%) in copper Alloy

mat'l. code		tr	date	surface
itr	ecn no	dr		ASME Y14.5
				tolerances unless otherwise specified
				angles
				X±1°
				dr
				enfr
				chr
				appd
sheet	revision	A		
index	sheet	1		

form: A4mmXLc

1

2

PDS: Rev


B

A

(15.5)

Looking for pricing, stock, or lifecycle information?

Click below to explore more details on WIN SOURCE:

-  [View HX110180000G on WIN SOURCE](#)
-  [Amphenol Anytek Information](#)

Optimize Your Supply Chain with WIN SOURCE Solutions

-  Global Sourcing Solution
-  Obsolete Management
-  Cost Control Management
-  Shortage Management
-  Alternative Solution
-  Excess Inventory Management