

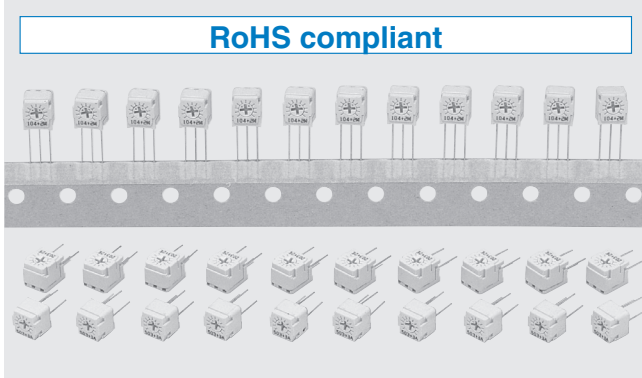


THE DATASHEET OF FT63ETV104



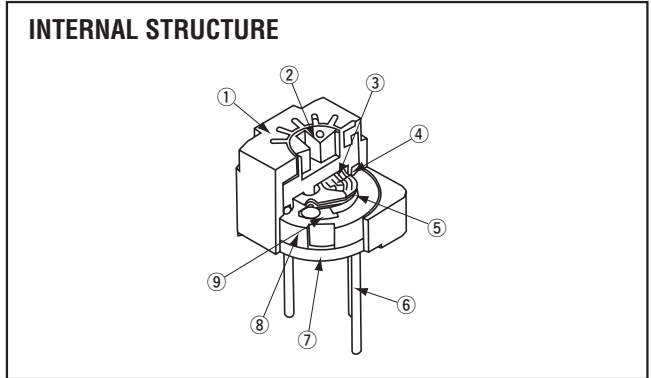
SINGLE TURN CERMET TRIMMERS

FT-63



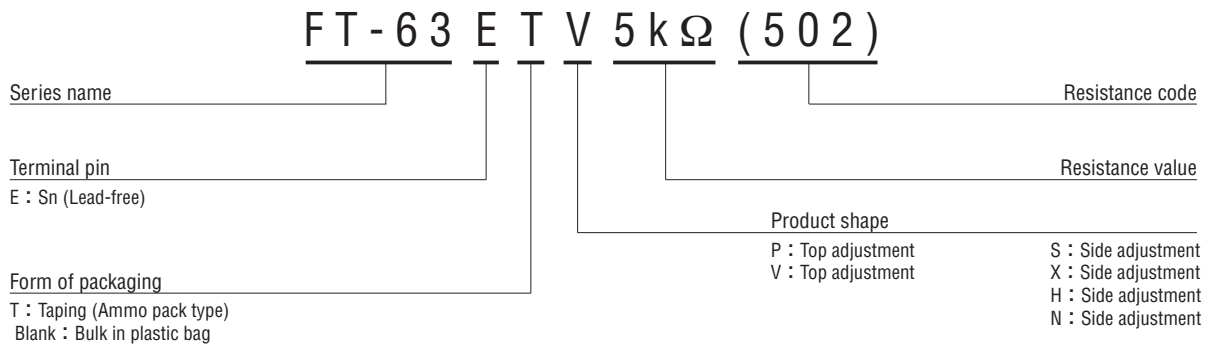
FEATURES

- RoHS compliant
- Resistance tolerance $\pm 10\%$
- "O" ring sealed (Washable: Refer to 698)
- Suitable for automatic insertion and automatic adjustment
- Increase in the level of characteristics in the high-frequency field (In house comparison)



| | Part name | Material | Flammability |
|---|-------------------|---------------------------|--------------|
| ① | Housing | Polybutyleneterephthalate | UL94V-0 |
| ② | Rotor | | |
| ③ | Wiper | Nickel silver | — |
| ④ | "O" ring | Silicone rubber | UL94HB |
| ⑤ | Resistive element | RuO ₂ cermet | — |
| ⑥ | Terminal pin | Copper, Tin-plated | |
| ⑦ | Adhesive | Epoxy | UL94V-0 |
| ⑧ | Base element | Ceramic | — |
| ⑨ | Electrode | Ag-Pd cermet | |

PART NUMBER DESIGNATION



※ Please refer to the LIST OF PART NUMBERS when placing orders.

FT-63

CERMET TRIMMERS

LIST OF PART NUMBERS

| Adjustment position | Form of packaging | |
|---------------------|-------------------------|-------------|
| | Taping (Ammo pack type) | Plastic bag |
| Top adjustment | FT-63ETP | FT-63EP |
| | FT-63ETV | FT-63EV |
| Side adjustment | FT-63ETS | FT-63ES |
| | / | FT-63EX |
| | FT-63ETH | FT-63EH |
| | / | FT-63EN |

☐ : Not manufactured

<Nominal resistance values>

Fig. 1

| | | | | | | |
|--------|---------|---------|---------|---------|--------|--------|
| ☞ 10 Ω | ☞ 20 Ω | 50 Ω | 100 Ω | 200 Ω | 300 Ω | 500 Ω |
| 1 k Ω | 2 k Ω | 3 k Ω | 5 k Ω | 10 k Ω | 20 k Ω | 30 k Ω |
| 50 k Ω | 100 k Ω | 200 k Ω | 300 k Ω | 500 k Ω | 1 M Ω | 2 M Ω |

※ The above part numbers are all available with the respective combination of <Nominal resistance values> (Fig. 1).

※ Verify the above part numbers when placing orders.

※ Taping specification is not sold separately and must be purchased in taping unit.

The products indicated by ☞ mark are manufactured upon receipt of order basis.

ELECTRICAL CHARACTERISTICS

| | |
|----------------------------|--|
| Nominal resistance range | 10 Ω ~ 2 MΩ |
| Resistance tolerance | ± 10 % |
| Power ratings | 0.5 W (70 °C) 0 W (125 °C) |
| Resistance law | (B) Linear law |
| Maximum input voltage | DC200 V or power rating, whichever is smaller |
| Maximum wiper current | Power ratings |
| Effective electrical angle | 220 ° (1 turn) |
| End resistance | 1 % or 2 Ω , whichever is greater |
| C.R.V. | 2 % or 3 Ω , whichever is greater |
| Operating temp. range | — 55 ~ 125 °C |
| Temp. coefficient | 10 Ω ~ 20 Ω : ± 150 10 ⁻⁶ /°C maximum 50 Ω ~ 2 MΩ : ± 100 10 ⁻⁶ /°C maximum |
| Insulation resistance | 1000 M Ω minimum (DC500 V) |
| Dielectric strength | AC900 V, 60 s |
| Net weight | Approx. 0.52 g (FT-63EP, EV) Approx. 0.66 g (FT-63ES, EH, EX, EN) |

MECHANICAL CHARACTERISTICS

| | |
|-------------------|---|
| Mechanical angle | 260 ° (1 turn) |
| Operating torque | 20 mN·m {204 gf·cm} maximum |
| Stop strength | 50 mN·m {510 gf·cm} minimum |
| Rotational life | 100 cycles [Δ R/R ≤ ± (2 Ω + 3 %)] |
| Terminal strength | 10 N {1.02 kgf} minimum (Tensile strength) |
| Thrust to rotor | 10 N {1.02 kgf} minimum |
| Solderability | 245 ± 3 °C, 2 ~ 3 s |

{ } : Reference only

ENVIRONMENTAL CHARACTERISTICS

| Test item | Test conditions | Specifications |
|---------------------|---|---|
| Thermal shock | — 65 ~ 125 °C (0.5 h), 5 cycles | [$\Delta R/R \leq 1\%$ [S.S. $\leq 1\%$] |
| Humidity | — 10 ~ 65 °C (80 ~ 98 %), 10 cycles, 240 h | [$\Delta R/R \leq 2\%$] |
| Shock | 981 m/s ² , 6 ms 6 directions for 3 times each | [$\Delta R/R \leq 1\%$ [S.S. $\leq 1\%$] |
| Vibration | (Amplitude) 1.52 mm or (Acceleration) 196 m/s ² , 10 ~ 2000 Hz, 3 directions, 12 times each | |
| Load life | 70 °C, 0.5 W 1000 h | [$\Delta R/R \leq 3\%$ [S.S. $\leq 1\%$] |
| Low temp. operation | — 55 °C, 2 h | [$\Delta R/R \leq 2\%$ [S.S. $\leq 2\%$] |
| High temp. exposure | 125 °C, 250 h | [$\Delta R/R \leq 3\%$ [S.S. $\leq 2\%$] |
| Immersion seal | 85 °C, 60 s | No leaks (No continuous bubbles) |
| Soldering heat | Flow 260 ± 3 °C, 5 ~ 6 s, two times maximum Manual soldering 380 ± 10 °C, 3 ~ 4 s | [$\Delta R/R \leq 1\%$] |

$\Delta R/R$: Change in total resistance
S.S. : Setting stability

MAXIMUM INPUT RATINGS

| Nominal resistance values (Ω) | Resistance code | Maximum input voltage (V) | Maximum wiper current (mA) |
|--|-----------------|---------------------------|----------------------------|
| ➡ 10 | 100 | 2.24 | 223 |
| ➡ 20 | 200 | 3.16 | 158 |
| 50 | 500 | 5.00 | 100 |
| 100 | 101 | 7.07 | 70.7 |
| 200 | 201 | 10.0 | 50.0 |
| 300 | 301 | 12.2 | 40.8 |
| 500 | 501 | 15.8 | 31.6 |
| 1 k | 102 | 22.4 | 22.4 |
| 2 k | 202 | 31.6 | 15.8 |
| 3 k | 302 | 38.7 | 12.9 |
| 5 k | 502 | 50.0 | 10.0 |
| 10 k | 103 | 70.7 | 7.07 |
| 20 k | 203 | 100 | 5.00 |
| 30 k | 303 | 122 | 4.08 |
| 50 k | 503 | 158 | 3.16 |
| 100 k | 104 | 200 | 2.00 |
| 200 k | 204 | 200 | 1.00 |
| 300 k | 304 | 200 | 0.66 |
| 500 k | 504 | 200 | 0.40 |
| 1 M | 105 | 200 | 0.20 |
| 2 M | 205 | 200 | 0.10 |

The products indicated by ➡ mark are manufactured upon receipt of order basis.

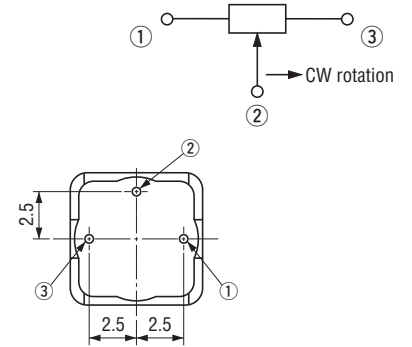
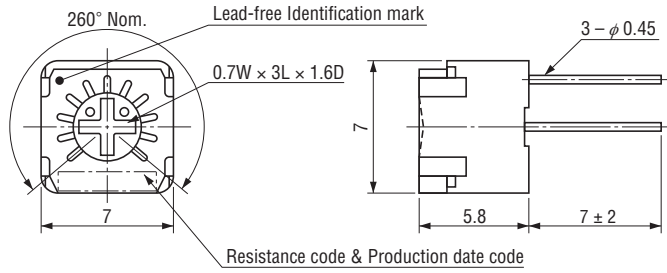
FT-63

CERMET TRIMMERS

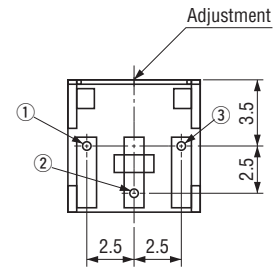
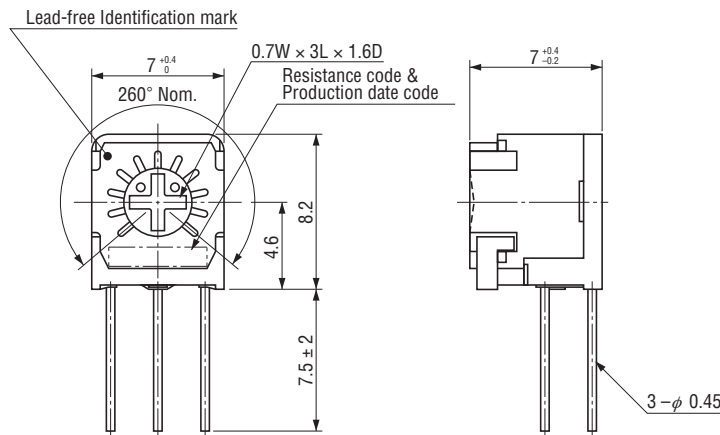
OUTLINE DIMENSIONS

FT-63EP Top adjustment

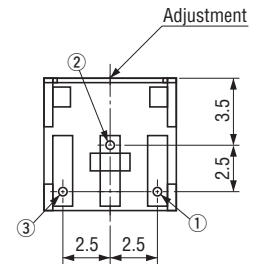
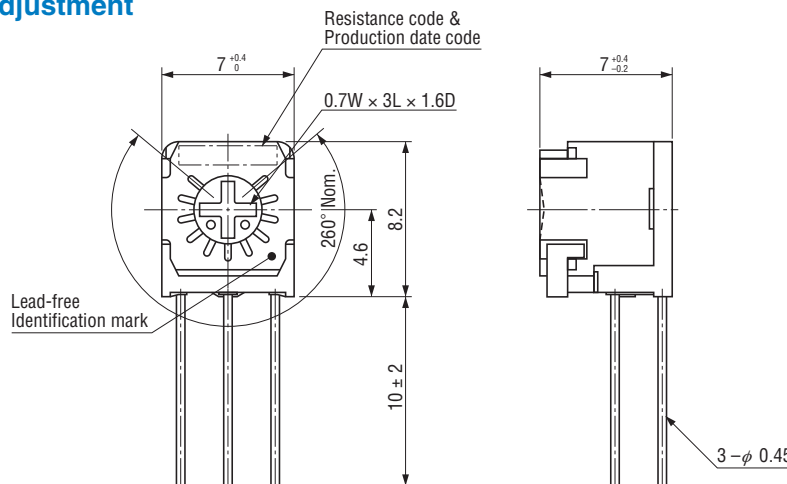
Unless otherwise specified, tolerance: ± 0.3 (Unit: mm)



FT-63ES Side adjustment



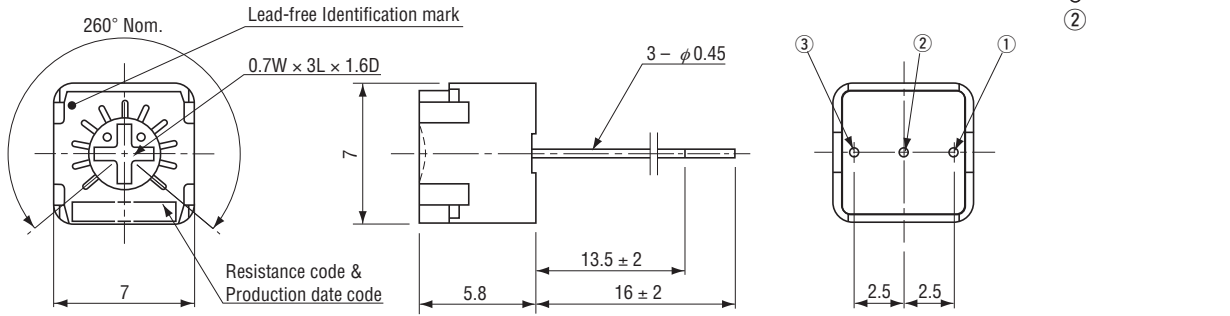
FT-63EX Side adjustment



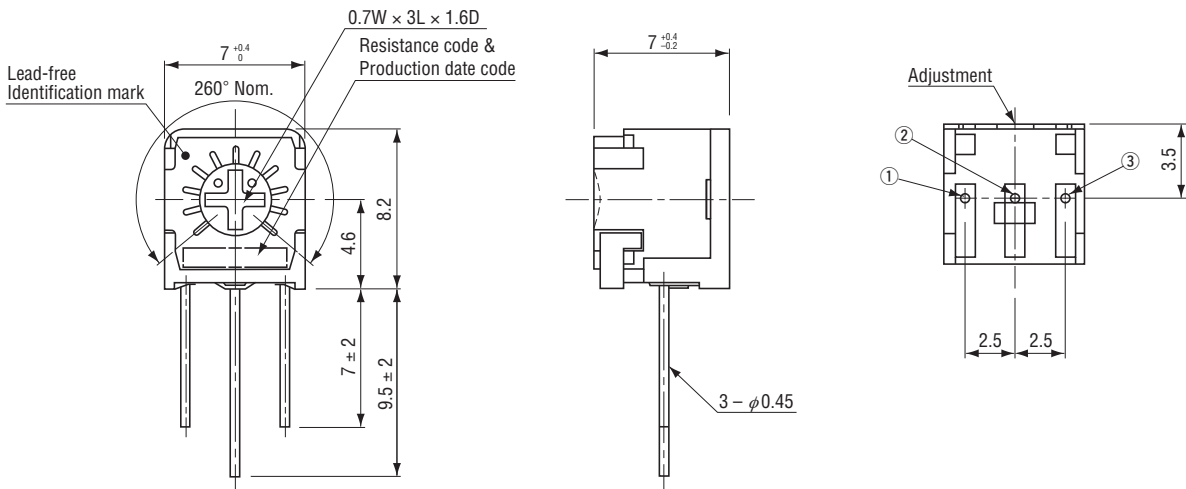
OUTLINE DIMENSIONS

Unless otherwise specified, tolerance: ± 0.3 (Unit: mm)

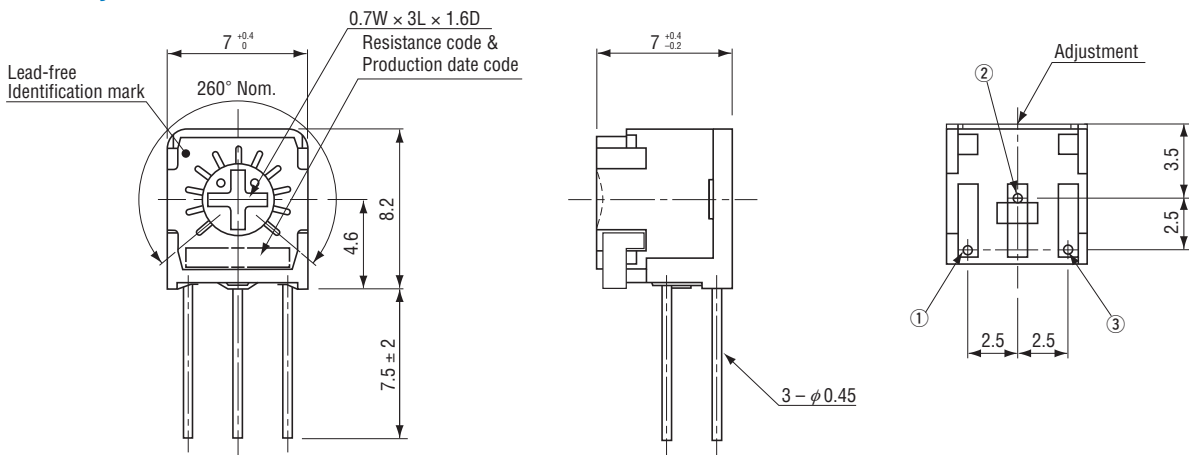
● FT-63EV Top adjustment



● FT-63EH Side adjustment



● FT-63EN Side adjustment



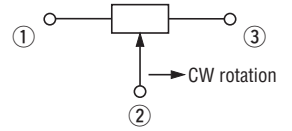
★ Terminals ① & ③ position in N type is different from X type.

FT-63

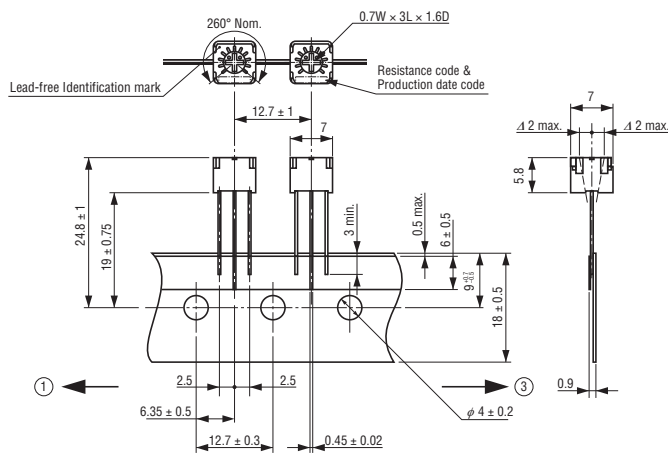
CERMET TRIMMERS

OUTLINE DIMENSIONS

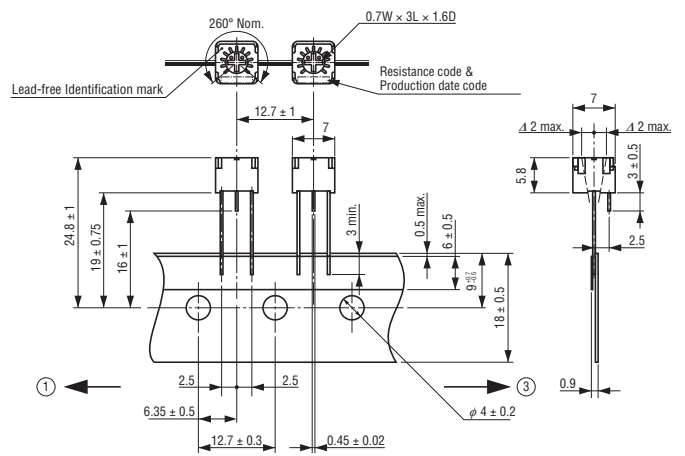
Unless otherwise specified, tolerance: ± 0.3 (Unit: mm)



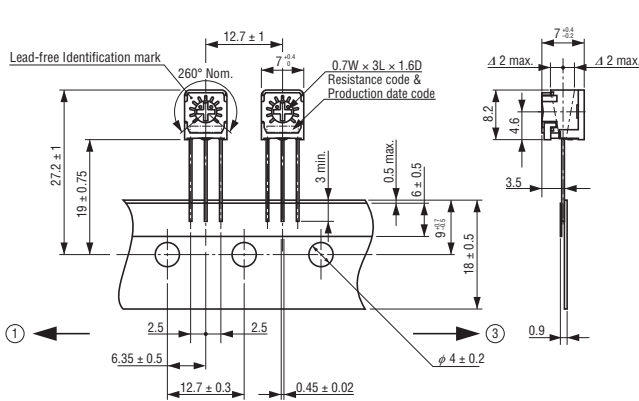
● FT-63ETV Top adjustment



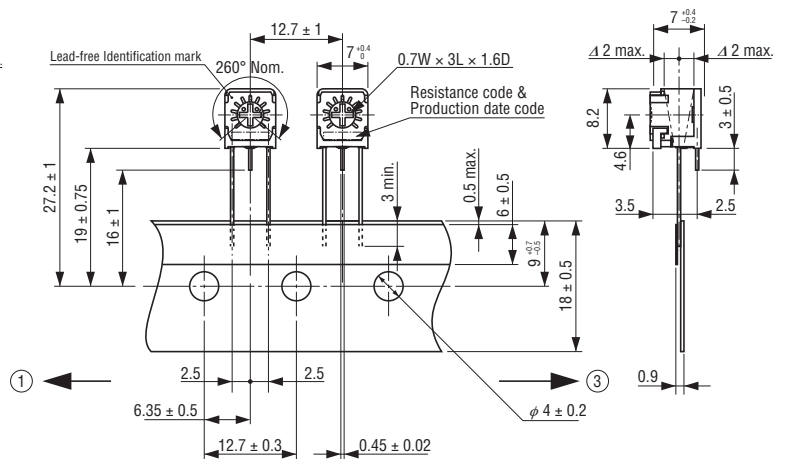
● FT-63ETP Top adjustment



● FT-63ETH Side adjustment



● FT-63ETS Side adjustment



■ PACKAGING SPECIFICATIONS

<Taping packaging specifications>

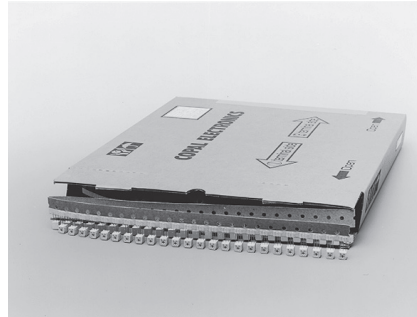
- Taping version is packaged in 1000 pcs. per reel.
Orders will be accepted for units of 1000 pcs., i.e., 1000, 2000, 3000 pcs., etc.
- Tape & reel version contains 1000 pcs. in one box.

<Bulk pack specifications>

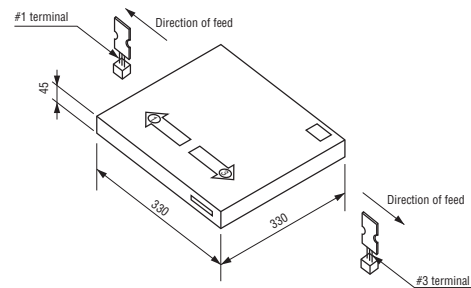
- Unit of bulk pack in a plastic bag is 100 pcs. per pack.
- Boxing of bulk in a plastic bag is performed with 1000 pcs. per box.

Ammo Pack

- Package size: 330 mm × 330 mm × 45 mm
- The leader and end of the tape have an empty part of minimum 300 mm respectively.
- There are two tape outlets on the package for different terminal alignment directions, for which details refer to the sketch above.
(e.g.) When the tape is fed from the right outlet marked ③, #3 terminal comes out first.
- Gross weight of the boxing version ETV : Approx. 850 g
 ETH : Approx. 940 g
 ETP : Approx. 820 g
 ETS : Approx. 940 g





Ammo pack type



Looking for pricing, stock, or lifecycle information?

Click below to explore more details on WIN SOURCE:

-  [View FT63ETV104 on WIN SOURCE](#)
-  [Copal Electronics Inc. Information](#)

Optimize Your Supply Chain with WIN SOURCE Solutions

-  Global Sourcing Solution
-  Obsolete Management
-  Cost Control Management
-  Shortage Management
-  Alternative Solution
-  Excess Inventory Management