



# THE DATASHEET OF OPA188AIDBVT



# OPA188 Precision, Low-Noise, Rail-to-Rail Output, 36-V, Zero-Drift Operational Amplifier

## 1 Features

- Low Offset Voltage: 25  $\mu\text{V}$  (Maximum)
- Zero-Drift: 0.03  $\mu\text{V}/^\circ\text{C}$
- Low Noise: 8.8  $\text{nV}/\sqrt{\text{Hz}}$ 
  - 0.1-Hz to 10-Hz Noise: 0.25  $\mu\text{V}_{\text{PP}}$
- Excellent DC Precision:
  - PSRR: 142 dB
  - CMRR: 146 dB
  - Open-Loop Gain: 136 dB
- Gain Bandwidth: 2 MHz
- Quiescent Current: 510  $\mu\text{A}$  (Maximum)
- Wide Supply Range:  $\pm 2\text{ V}$  to  $\pm 18\text{ V}$
- Rail-to-Rail Output
- Input Includes Negative Rail
- RFI Filtered Inputs
- *MicroSIZE* Packages

## 2 Applications

- Bridge Amplifiers
- Strain Gauges
- Transducer Applications
- Temperature Measurement
- Electronic Scales
- Medical Instrumentation
- Resistance Temperature Detectors

## 3 Description

The OPA188 operational amplifier uses TI's proprietary auto-zeroing techniques to provide low offset voltage (25- $\mu\text{V}$  maximum) and near **zero-drift** over time and temperature. This miniature, high-precision, low-quiescent current amplifier offers high input impedance and rail-to-rail output swing within 15 mV of the rails. The input common-mode range includes the negative rail. Either single or dual supplies can be used in the range from 4 V to 36 V ( $\pm 2\text{ V}$  to  $\pm 18\text{ V}$ ).

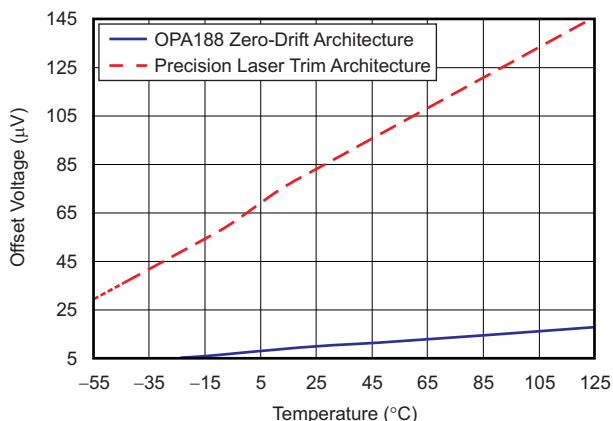
The single version is available in the *MicroSIZE* SOT-23-5, MSOP-8, and SO-8 packages. All versions are specified for operation from  $-40^\circ\text{C}$  to  $+125^\circ\text{C}$ .

### Device Information<sup>(1)</sup>

PART NUMBER	PACKAGE	BODY SIZE (NOM)
OPA188	SOIC (8)	4.90 mm x 3.91 mm
	SOT-23 (5)	2.90 mm x 1.60 mm
	VSSOP (8)	3.00 mm x 3.00 mm

(1) For all available packages, see the package option addendum at the end of the data sheet.

### Auto-Zero Technology Provides Ultra-Low Temperature Drift



## Table of Contents

<b>1 Features</b> .....	<b>1</b>	8.3 Feature Description .....	<b>17</b>
<b>2 Applications</b> .....	<b>1</b>	8.4 Device Functional Modes .....	<b>20</b>
<b>3 Description</b> .....	<b>1</b>	<b>9 Application and Implementation</b> .....	<b>21</b>
<b>4 Revision History</b> .....	<b>2</b>	9.1 Application Information .....	<b>21</b>
<b>5 Device Comparison Table</b> .....	<b>3</b>	9.2 Typical Applications .....	<b>21</b>
5.1 Portfolio Comparison .....	<b>3</b>	<b>10 Power Supply Recommendations</b> .....	<b>25</b>
<b>6 Pin Configuration and Functions</b> .....	<b>4</b>	<b>11 Layout</b> .....	<b>26</b>
<b>7 Specifications</b> .....	<b>5</b>	11.1 Layout Guidelines .....	<b>26</b>
7.1 Absolute Maximum Ratings .....	<b>5</b>	11.2 Layout Example .....	<b>26</b>
7.2 ESD Ratings .....	<b>5</b>	<b>12 Device and Documentation Support</b> .....	<b>27</b>
7.3 Recommended Operating Conditions .....	<b>5</b>	12.1 Device Support .....	<b>27</b>
7.4 Thermal Information .....	<b>5</b>	12.2 Documentation Support .....	<b>27</b>
7.5 Electrical Characteristics: High-Voltage Operation ..	<b>6</b>	12.3 Receiving Notification of Documentation Updates ..	<b>27</b>
7.6 Electrical Characteristics: Low-Voltage Operation ...	<b>7</b>	12.4 Community Resources .....	<b>27</b>
7.7 Typical Characteristics: Table of Graphs .....	<b>8</b>	12.5 Trademarks .....	<b>28</b>
7.8 Typical Characteristics .....	<b>9</b>	12.6 Electrostatic Discharge Caution .....	<b>28</b>
<b>8 Detailed Description</b> .....	<b>16</b>	12.7 Glossary .....	<b>28</b>
8.1 Overview .....	<b>16</b>	<b>13 Mechanical, Packaging, and Orderable</b>	<b>28</b>
8.2 Functional Block Diagram .....	<b>16</b>	<b>Information</b> .....	<b>28</b>

## 4 Revision History

NOTE: Page numbers for previous revisions may differ from page numbers in the current version.

<b>Changes from Revision A (March 2013) to Revision B</b>	<b>Page</b>
• Added Device Information, Device Comparison, ESD Ratings, and Recommended Operating Conditions tables, and <i>Detailed Description, Applications and Implementation, Power Supply Recommendations, Layout, Device and Documentation Support</i> , and <i>Mechanical, Packaging, and Orderable Information</i> sections .....	<b>1</b>
• Deleted Package Information table; all information now available in the package option addendum at the end of the data sheet .....	<b>3</b>
• Changed <i>input bias current</i> maximum value for over-temperature test condition in Electrical Characteristics .....	<b>6</b>
• Changed <i>input offset current</i> maximum value for over-temperature test condition in Electrical Characteristics .....	<b>6</b>
• Changed <i>quiescent current</i> values in Electrical Characteristics .....	<b>6</b>
• Changed <i>input bias current</i> maximum value for over-temperature test condition in Electrical Characteristics .....	<b>7</b>
• Changed <i>input offset current</i> maximum value for over-temperature test condition in Electrical Characteristics .....	<b>7</b>
• Changed <i>quiescent current</i> maximum values in Electrical Characteristics .....	<b>7</b>

<b>Changes from Original (March 2013) to Revision A</b>	<b>Page</b>
• Changed document status to Production Data .....	<b>1</b>

## 5 Device Comparison Table

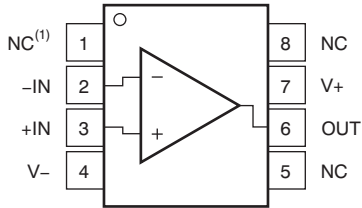
### 5.1 Portfolio Comparison

#### Zero-Drift Amplifier Portfolio

VERSION	PRODUCT	OFFSET VOLTAGE ( $\mu\text{V}$ , maximum)	OFFSET VOLTAGE DRIFT ( $\mu\text{V}/^\circ\text{C}$ , maximum)	BANDWIDTH (MHz)	INPUT VOLTAGE NOISE ( $\mu\text{V}_{\text{PP}}$ , $f = 0.1 \text{ Hz to } 10 \text{ Hz}$ )
Single	<a href="#">OPA188</a> (4 V to 36 V)	$\pm 25$	$\pm 0.085$	2	0.25
	<a href="#">OPA333</a> (5 V)	$\pm 10$	$\pm 0.05$	0.35	1.1
	<a href="#">OPA378</a> (5 V)	$\pm 50$	$\pm 0.25$	0.9	0.4
	<a href="#">OPA735</a> (12 V)	$\pm 5$	$\pm 0.05$	1.6	2.5
Dual	<a href="#">OPA2188</a> (4 V to 36 V)	$\pm 25$	$\pm 0.085$	2	0.25
	<a href="#">OPA2333</a> (5 V)	$\pm 10$	$\pm 0.05$	0.35	1.1
	<a href="#">OPA2378</a> (5 V)	$\pm 50$	$\pm 0.25$	0.9	0.4
	<a href="#">OPA2735</a> (12 V)	$\pm 5$	$\pm 0.05$	1.6	2.5
Quad	<a href="#">OPA4330</a> (5 V)	$\pm 50$	$\pm 0.25$	0.35	1.1

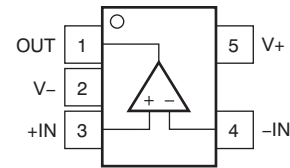
## 6 Pin Configuration and Functions

**OPA188 D and DGK Packages  
8-Pin SOIC and 8-Pin VSSOP  
Top View**



(1) NC = no connection.

**OPA188 DBV Package  
5-Pin SOT-23  
Top View**



### Pin Functions

NAME	PIN		I/O	DESCRIPTION
	D, DGK	DBV		
+IN	3	3	I	Noninverting input
-IN	2	4	I	Inverting input
NC	1, 5, 8	—	—	No internal connection (can be left floating)
OUT	6	1	O	Output
V+	7	5	—	Positive (highest) power supply
V-	4	2	—	Negative (lowest) power supply

## 7 Specifications

### 7.1 Absolute Maximum Ratings

over operating free-air temperature range (unless otherwise noted)<sup>(1)</sup>

		MIN	MAX	UNIT
Voltage	Supply	Split supply	±20	V
		Single supply	40	
	Signal input pins <sup>(2)</sup>		(V <sub>-</sub> ) - 0.5    (V <sub>+</sub> ) + 0.5	
		Differential	±0.7	
Current	Signal input pins <sup>(2)</sup>	±10		mA
	Output short-circuit <sup>(3)</sup>	Continuous		
Temperature	Operating <sup>(4)</sup> , T <sub>A</sub>	-55	150	°C
	Junction, T <sub>J</sub>		150	
	Storage, T <sub>stg</sub>	-65	150	

- (1) Stresses beyond those listed under *Absolute Maximum Ratings* may cause permanent damage to the device. These are stress ratings only, which do not imply functional operation of the device at these or any other conditions beyond those indicated under *Recommended Operating Conditions*. Exposure to absolute-maximum-rated conditions for extended periods may affect device reliability.
- (2) Input terminals are diode-clamped to the power-supply rails. Input signals that can swing more than 0.5 V beyond the supply rails should be current-limited to 10 mA or less.
- (3) Short-circuit to ground, V<sub>-</sub>, or V<sub>+</sub>.
- (4) Provided device does not exceed maximum junction temperature (T<sub>J</sub>) at any time.

### 7.2 ESD Ratings

		VALUE	UNIT
V <sub>(ESD)</sub>	Electrostatic discharge	Human-body model (HBM), per ANSI/ESDA/JEDEC JS-001 <sup>(1)</sup>	±1500
		Charged-device model (CDM), per JEDEC specification JESD22-C101 <sup>(2)</sup>	±1000

- (1) JEDEC document JEP155 states that 500-V HBM allows safe manufacturing with a standard ESD control process.
- (2) JEDEC document JEP157 states that 250-V CDM allows safe manufacturing with a standard ESD control process.

### 7.3 Recommended Operating Conditions

over operating free-air temperature range (unless otherwise noted)

		MIN	NOM	MAX	UNIT
V <sub>S</sub>	Operating voltage range	Split supply	±2	±18	V
		Single supply	4	36	
T <sub>A</sub>	Specified temperature range	-40		125	°C

### 7.4 Thermal Information

THERMAL METRIC <sup>(1)</sup>		OPA188			UNIT
		D (SO)	DBV (SOT23)	DGK (MSOP)	
		8 PINS	5 PINS	8 PINS	
R <sub>θJA</sub>	Junction-to-ambient thermal resistance	122.0	158.8	180.4	°C/W
R <sub>θJC(top)</sub>	Junction-to-case (top) thermal resistance	68.5	60.7	67.9	°C/W
R <sub>θJB</sub>	Junction-to-board thermal resistance	63.5	44.8	102.1	°C/W
ψ <sub>JT</sub>	Junction-to-top characterization parameter	13.7	1.6	10.4	°C/W
ψ <sub>JB</sub>	Junction-to-board characterization parameter	62.8	44.2	100.3	°C/W
R <sub>θJC(bot)</sub>	Junction-to-case (bottom) thermal resistance	N/A	N/A	N/A	°C/W

- (1) For more information about traditional and new thermal metrics, see the *Semiconductor and IC Package Thermal Metrics* application report, [SPRA953](#).

### 7.5 Electrical Characteristics: High-Voltage Operation

at  $T_A = +25^\circ\text{C}$ ,  $V_S = \pm 4\text{ V}$  to  $\pm 18\text{ V}$  ( $V_S = 8\text{ V}$  to  $36\text{ V}$ ),  $R_L = 10\text{ k}\Omega$  connected to  $V_S / 2^{(1)}$ , and  $V_{CM} = V_{OUT} = V_S / 2^{(1)}$  (unless otherwise noted)

PARAMETER		CONDITIONS	MIN	TYP	MAX	UNIT
<b>OFFSET VOLTAGE</b>						
$V_{OS}$	Input offset voltage			$\pm 6$	$\pm 25$	$\mu\text{V}$
		$T_A = -40^\circ\text{C}$ to $+125^\circ\text{C}$		$\pm 0.03$	$\pm 0.085$	$\mu\text{V}/^\circ\text{C}$
PSRR	Power-supply rejection ratio	$V_S = 4\text{ V}$ to $36\text{ V}$ , $T_A = -40^\circ\text{C}$ to $+125^\circ\text{C}$		$\pm 0.075$	$\pm 0.3$	$\mu\text{V}/\text{V}$
	Long-term stability <sup>(2)</sup>			4		$\mu\text{V}$
<b>INPUT BIAS CURRENT</b>						
$I_B$	Input bias current	$V_{CM} = V_S / 2$		$\pm 160$	$\pm 1400$	$\text{pA}$
		$T_A = -40^\circ\text{C}$ to $+125^\circ\text{C}$			$\pm 18$	$\text{nA}$
$I_{OS}$	Input offset current			$\pm 320$	$\pm 2800$	$\text{pA}$
		$T_A = -40^\circ\text{C}$ to $+125^\circ\text{C}$			$\pm 6$	$\text{nA}$
<b>NOISE</b>						
$e_n$	Input voltage noise	$f = 0.1\text{ Hz}$ to $10\text{ Hz}$		250		$\text{nV}_{PP}$
		$f = 0.1\text{ Hz}$ to $10\text{ Hz}$		40		$\text{nV}_{rms}$
	Input voltage noise density	$f = 1\text{ kHz}$		8.8		$\text{nV}/\sqrt{\text{Hz}}$
$i_n$	Input current noise density	$f = 1\text{ kHz}$		7		$\text{fA}/\sqrt{\text{Hz}}$
<b>INPUT VOLTAGE RANGE</b>						
$V_{CM}$	Common-mode voltage range	$T_A = -40^\circ\text{C}$ to $+125^\circ\text{C}$	$V^-$		$(V^+) - 1.5$	$\text{V}$
CMRR	Common-mode rejection ratio	$(V^-) < V_{CM} < (V^+) - 1.5\text{ V}$	120	134		$\text{dB}$
		$(V^-) + 0.5\text{ V} < V_{CM} < (V^+) - 1.5\text{ V}$ , $V_S = \pm 18\text{ V}$	130	146		$\text{dB}$
		$(V^-) + 0.5\text{ V} < V_{CM} < (V^+) - 1.5\text{ V}$ , $V_S = \pm 18\text{ V}$ , $T_A = -40^\circ\text{C}$ to $+125^\circ\text{C}$	120	126		$\text{dB}$
<b>INPUT IMPEDANCE</b>						
$Z_{ID}$	Differential			100    6		$\text{M}\Omega$    $\text{pF}$
$Z_{IC}$	Common-mode			6    9.5		$10^{12}\ \Omega$    $\text{pF}$
<b>OPEN-LOOP GAIN</b>						
$A_{OL}$	Open-loop voltage gain	$(V^-) + 0.5\text{ V} < V_O < (V^+) - 0.5\text{ V}$	130	136		$\text{dB}$
		$(V^-) + 0.5\text{ V} < V_O < (V^+) - 0.5\text{ V}$ , $T_A = -40^\circ\text{C}$ to $+125^\circ\text{C}$	120	126		$\text{dB}$
<b>FREQUENCY RESPONSE</b>						
GBW	Gain-bandwidth product			2		$\text{MHz}$
SR	Slew rate	$G = +1$		0.8		$\text{V}/\mu\text{s}$
$t_S$	Settling time	0.1%	$V_S = \pm 18\text{ V}$ , $G = 1$ , 10-V step	20		$\mu\text{s}$
		0.01%	$V_S = \pm 18\text{ V}$ , $G = 1$ , 10-V step	27		$\mu\text{s}$
$t_{OR}$	Overload recovery time	$V_{IN} \times G = V_S$		1		$\mu\text{s}$
THD+N	Total harmonic distortion + noise	1 kHz, $G = 1$ , $V_{OUT} = 1\text{ V}_{rms}$		0.0001%		
<b>OUTPUT</b>						
Voltage output swing from rail		No load		6	15	$\text{mV}$
		$R_L = 10\text{ k}\Omega$		220	250	$\text{mV}$
		$T_A = -40^\circ\text{C}$ to $+125^\circ\text{C}$		310	350	$\text{mV}$
$I_{SC}$	Short-circuit current	Sinking		-18		$\text{mA}$
		Sourcing		16		$\text{mA}$
$R_O$	Open-loop output resistance	$f = 1\text{ MHz}$ , $I_O = 0$		120		$\Omega$
$C_{LOAD}$	Capacitive load drive			1		$\text{nF}$
<b>POWER SUPPLY</b>						
$I_Q$	Quiescent current (per amplifier)	$V_S = \pm 4\text{ V}$ to $V_S = \pm 18\text{ V}$		450	510	$\mu\text{A}$
		$I_O = 0\text{ mA}$ , $T_A = -40^\circ\text{C}$ to $+125^\circ\text{C}$			600	$\mu\text{A}$

(1)  $V_S / 2 = \text{midsupply}$ .

(2) 1000-hour life test at  $125^\circ\text{C}$  demonstrated randomly distributed variation in the range of measurement limits—approximately  $4\ \mu\text{V}$ .

## 7.6 Electrical Characteristics: Low-Voltage Operation

at  $T_A = 25^\circ\text{C}$ ,  $V_S = \pm 2\text{ V}$  to  $< \pm 4\text{ V}$  ( $V_S = 4\text{ V}$  to  $< 8\text{ V}$ ),  $R_L = 10\text{ k}\Omega$  connected to  $V_S / 2^{(1)}$ , and  $V_{CM} = V_{OUT} = V_S / 2^{(1)}$  (unless otherwise noted)

PARAMETER	CONDITIONS	MIN	TYP	MAX	UNIT
<b>OFFSET VOLTAGE</b>					
$V_{OS}$	Input offset voltage		$\pm 6$	$\pm 25$	$\mu\text{V}$
		$T_A = -40^\circ\text{C}$ to $+125^\circ\text{C}$	$\pm 0.03$	$\pm 0.085$	$\mu\text{V}/^\circ\text{C}$
PSRR	Power-supply rejection ratio		0.075	0.3	$\mu\text{V}/\text{V}$
	Long-term stability <sup>(2)</sup>		4		$\mu\text{V}$
<b>INPUT BIAS CURRENT</b>					
$I_B$	Input bias current		$\pm 160$	$\pm 1400$	$\text{pA}$
		$T_A = -40^\circ\text{C}$ to $+125^\circ\text{C}$		$\pm 18$	$\text{nA}$
$I_{OS}$	Input offset current		$\pm 320$	$\pm 2800$	$\text{pA}$
		$T_A = -40^\circ\text{C}$ to $+125^\circ\text{C}$		$\pm 6$	$\text{nA}$
<b>NOISE</b>					
$e_n$	Input voltage noise	$f = 0.1\text{ Hz}$ to $10\text{ Hz}$	250		$\text{nV}_{PP}$
		$f = 0.1\text{ Hz}$ to $10\text{ Hz}$	40		$\text{nV}_{rms}$
	Input voltage noise density	$f = 1\text{ kHz}$	8.8		$\text{nV}/\sqrt{\text{Hz}}$
$i_n$	Input current noise density	$f = 1\text{ kHz}$	7		$\text{fA}/\sqrt{\text{Hz}}$
<b>INPUT VOLTAGE RANGE</b>					
$V_{CM}$	Common-mode voltage range	$T_A = -40^\circ\text{C}$ to $+125^\circ\text{C}$	$V^-$	$(V^+) - 1.5$	$\text{V}$
CMRR	Common-mode rejection ratio	$(V^-) < V_{CM} < (V^+) - 1.5\text{ V}$	106	114	$\text{dB}$
		$(V^-) + 0.5\text{ V} < V_{CM} < (V^+) - 1.5\text{ V}$ , $V_S = \pm 2\text{ V}$	114	120	$\text{dB}$
		$(V^-) + 0.5\text{ V} < V_{CM} < (V^+) - 1.5\text{ V}$ , $V_S = \pm 2\text{ V}$ , $T_A = -40^\circ\text{C}$ to $+125^\circ\text{C}$	110	120	$\text{dB}$
<b>INPUT IMPEDANCE</b>					
$Z_{ID}$	Differential		$100 \parallel 6$		$\text{M}\Omega \parallel \text{pF}$
$Z_{IC}$	Common-mode		$6 \parallel 9.5$		$10^{12}\ \Omega \parallel \text{pF}$
<b>OPEN-LOOP GAIN</b>					
$A_{OL}$	Open-loop voltage gain	$(V^-) + 0.5\text{ V} < V_O < (V^+) - 0.5\text{ V}$ , $R_L = 5\text{ k}\Omega$	110	120	$\text{dB}$
		$(V^-) + 0.5\text{ V} < V_O < (V^+) - 0.5\text{ V}$	120	130	$\text{dB}$
		$(V^-) + 0.5\text{ V} < V_O < (V^+) - 0.5\text{ V}$ , $T_A = -40^\circ\text{C}$ to $+125^\circ\text{C}$	110	120	$\text{dB}$
<b>FREQUENCY RESPONSE</b>					
GBW	Gain-bandwidth product		2		$\text{MHz}$
SR	Slew rate	$G = +1$	0.8		$\text{V}/\mu\text{s}$
$t_{OR}$	Overload recovery time	$V_{IN} \times G = V_S$	1		$\mu\text{s}$
THD+N	Total harmonic distortion + noise	1 kHz, $G = 1$ , $V_{OUT} = 1\text{ V}_{rms}$	0.0001%		
<b>OUTPUT</b>					
	Voltage output swing from rail	No load	6	15	$\text{mV}$
		$R_L = 10\text{ k}\Omega$	220	250	$\text{mV}$
		$T_A = -40^\circ\text{C}$ to $+125^\circ\text{C}$	310	350	$\text{mV}$
$I_{SC}$	Short-circuit current	Sinking	-18		$\text{mA}$
		Sourcing	16		$\text{mA}$
$R_O$	Open-loop output resistance	$f = 1\text{ MHz}$ , $I_O = 0$	120		$\Omega$
$C_{LOAD}$	Capacitive load drive		1		$\text{nF}$
<b>POWER SUPPLY</b>					
$I_Q$	Quiescent current (per amplifier)	$V_S = \pm 2\text{ V}$ to $V_S = \pm 4\text{ V}$	425	485	$\mu\text{A}$
		$I_O = 0\text{ mA}$ , $T_A = -40^\circ\text{C}$ to $+125^\circ\text{C}$		575	$\mu\text{A}$

(1)  $V_S / 2 = \text{midsupply}$ .

(2) 1000-hour life test at  $125^\circ\text{C}$  demonstrated randomly distributed variation in the range of measurement limits—approximately  $4\ \mu\text{V}$ .

## 7.7 Typical Characteristics: Table of Graphs

### 7.7.1 Table of Graphs

**Table 1. Typical Characteristic Graphs**

DESCRIPTION	FIGURE
Offset Voltage Production Distribution	<a href="#">Figure 1</a>
Offset Voltage Drift Distribution	<a href="#">Figure 2</a>
Offset Voltage vs Temperature	<a href="#">Figure 3</a>
Offset Voltage vs Common-Mode Voltage	<a href="#">Figure 4, Figure 5</a>
Offset Voltage vs Power Supply	<a href="#">Figure 6</a>
Open-Loop Gain and Phase vs Frequency	<a href="#">Figure 7</a>
Closed-Loop Gain vs Frequency	<a href="#">Figure 8</a>
$I_B$ and $I_{OS}$ vs Common-Mode Voltage	<a href="#">Figure 9</a>
Input Bias Current vs Temperature	<a href="#">Figure 10</a>
Output Voltage Swing vs Output Current (Maximum Supply)	<a href="#">Figure 11</a>
CMRR and PSRR vs Frequency (Referred-to-Input)	<a href="#">Figure 12</a>
CMRR vs Temperature	<a href="#">Figure 13, Figure 14</a>
PSRR vs Temperature	<a href="#">Figure 15</a>
0.1-Hz to 10-Hz Noise	<a href="#">Figure 16</a>
Input Voltage Noise Spectral Density vs Frequency	<a href="#">Figure 17</a>
THD+N Ratio vs Frequency	<a href="#">Figure 18</a>
THD+N vs Output Amplitude	<a href="#">Figure 19</a>
Quiescent Current vs Supply Voltage	<a href="#">Figure 20</a>
Quiescent Current vs Temperature	<a href="#">Figure 21</a>
Open-Loop Gain vs Temperature	<a href="#">Figure 22</a>
Open-Loop Output Impedance vs Frequency	<a href="#">Figure 23</a>
Small-Signal Overshoot vs Capacitive Load (100-mV Output Step)	<a href="#">Figure 24, Figure 25</a>
No Phase Reversal	<a href="#">Figure 26</a>
Positive Overload Recovery	<a href="#">Figure 27</a>
Negative Overload Recovery	<a href="#">Figure 28</a>
Small-Signal Step Response (100 mV)	<a href="#">Figure 29, Figure 30</a>
Large-Signal Step Response	<a href="#">Figure 31, Figure 32</a>
Large-Signal Settling Time (10-V Positive Step)	<a href="#">Figure 33</a>
Large-Signal Settling Time (10-V Negative Step)	<a href="#">Figure 34</a>
Short-Circuit Current vs Temperature	<a href="#">Figure 35</a>
Maximum Output Voltage vs Frequency	<a href="#">Figure 36</a>
EMIRR IN+ vs Frequency	<a href="#">Figure 37</a>

### 7.8 Typical Characteristics

at  $V_S = \pm 18\text{ V}$ ,  $V_{CM} = V_S / 2$ ,  $R_{LOAD} = 10\text{ k}\Omega$  connected to  $V_S / 2$ , and  $C_L = 100\text{ pF}$  (unless otherwise noted)

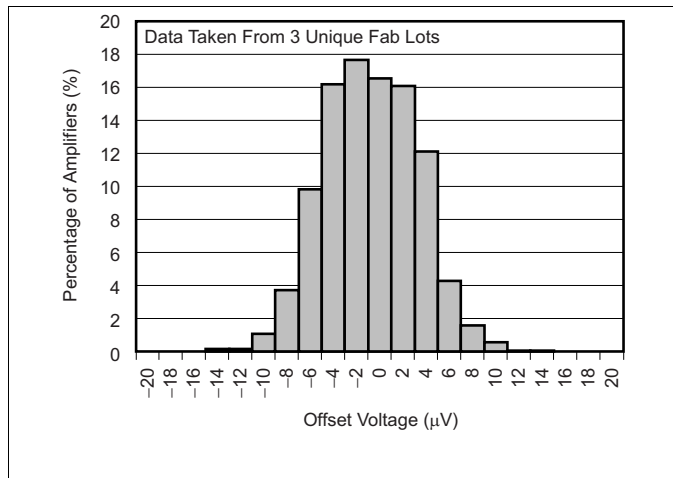


Figure 1. Offset Voltage Production Distribution

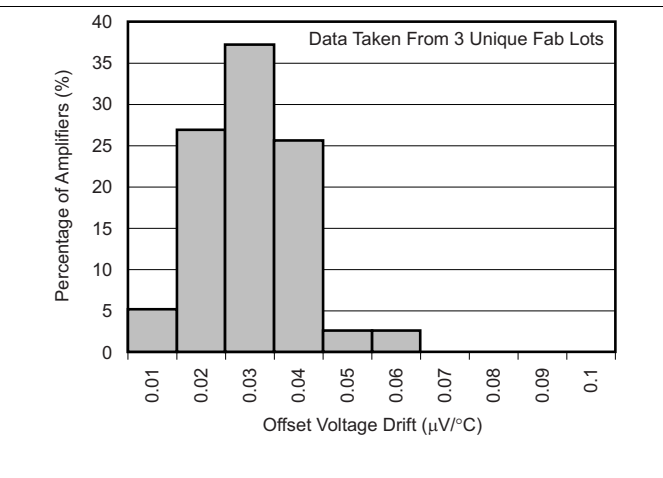


Figure 2. Offset Voltage Drift Distribution

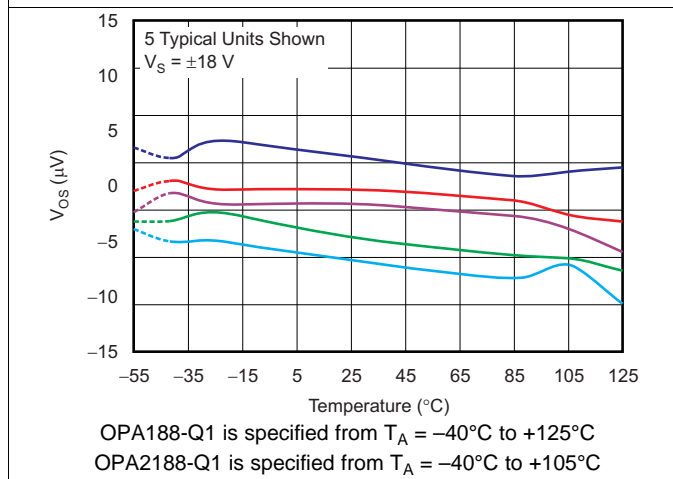


Figure 3. Offset Voltage vs Temperature

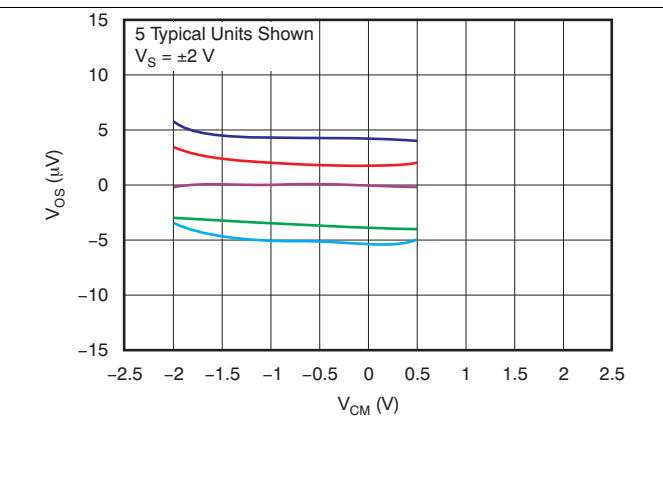


Figure 4. Offset Voltage vs Common-Mode Voltage

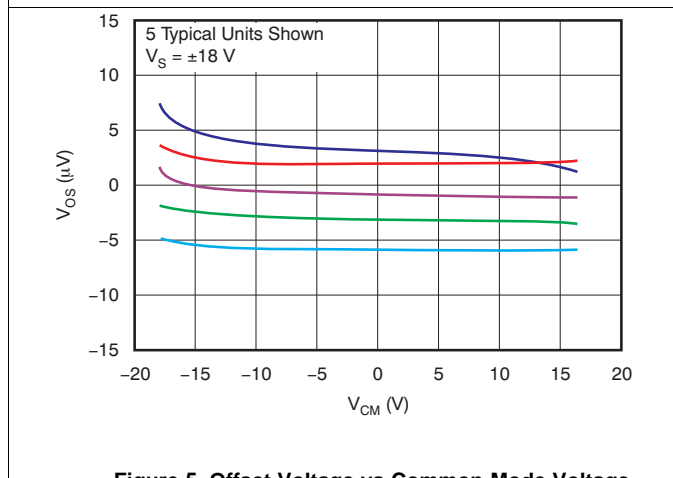


Figure 5. Offset Voltage vs Common-Mode Voltage

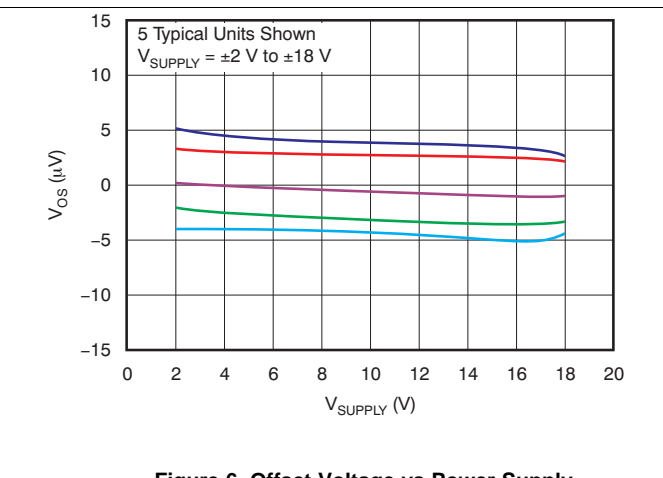


Figure 6. Offset Voltage vs Power Supply

Typical Characteristics (continued)

at  $V_S = \pm 18\text{ V}$ ,  $V_{CM} = V_S / 2$ ,  $R_{LOAD} = 10\text{ k}\Omega$  connected to  $V_S / 2$ , and  $C_L = 100\text{ pF}$  (unless otherwise noted)

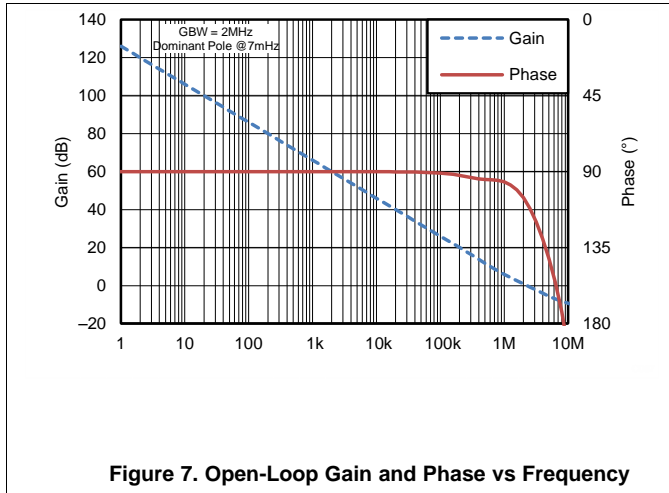


Figure 7. Open-Loop Gain and Phase vs Frequency

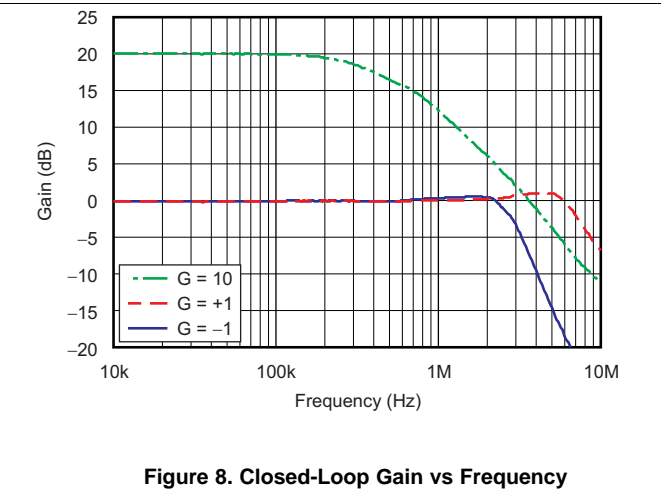


Figure 8. Closed-Loop Gain vs Frequency

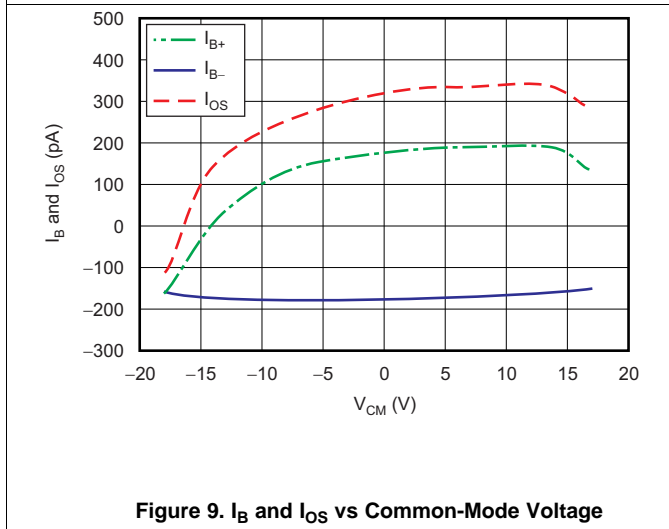
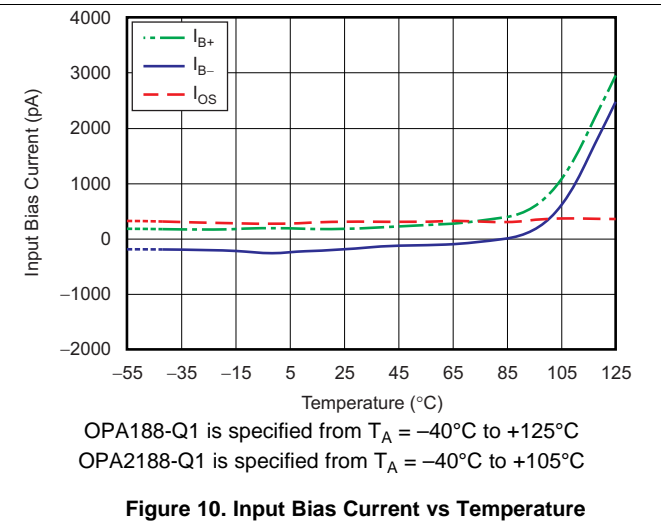
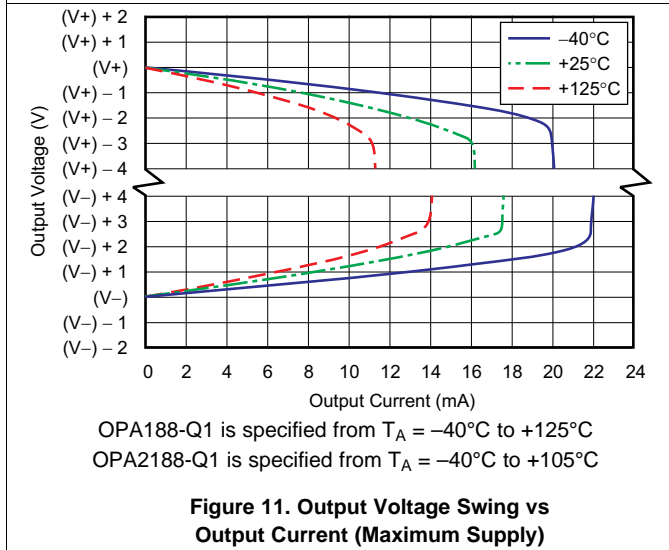


Figure 9.  $I_B$  and  $I_{OS}$  vs Common-Mode Voltage



OPA188-Q1 is specified from  $T_A = -40^\circ\text{C}$  to  $+125^\circ\text{C}$   
 OPA2188-Q1 is specified from  $T_A = -40^\circ\text{C}$  to  $+105^\circ\text{C}$

Figure 10. Input Bias Current vs Temperature



OPA188-Q1 is specified from  $T_A = -40^\circ\text{C}$  to  $+125^\circ\text{C}$   
 OPA2188-Q1 is specified from  $T_A = -40^\circ\text{C}$  to  $+105^\circ\text{C}$

Figure 11. Output Voltage Swing vs Output Current (Maximum Supply)

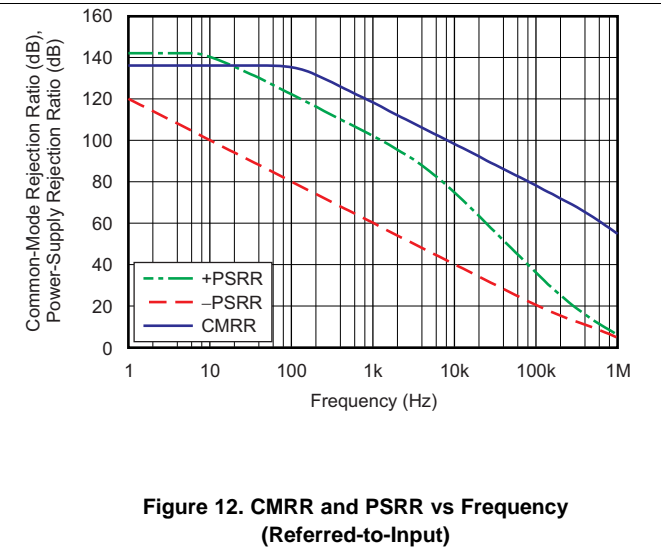


Figure 12. CMRR and PSRR vs Frequency (Referred-to-Input)

Typical Characteristics (continued)

at  $V_S = \pm 18\text{ V}$ ,  $V_{CM} = V_S / 2$ ,  $R_{LOAD} = 10\text{ k}\Omega$  connected to  $V_S / 2$ , and  $C_L = 100\text{ pF}$  (unless otherwise noted)

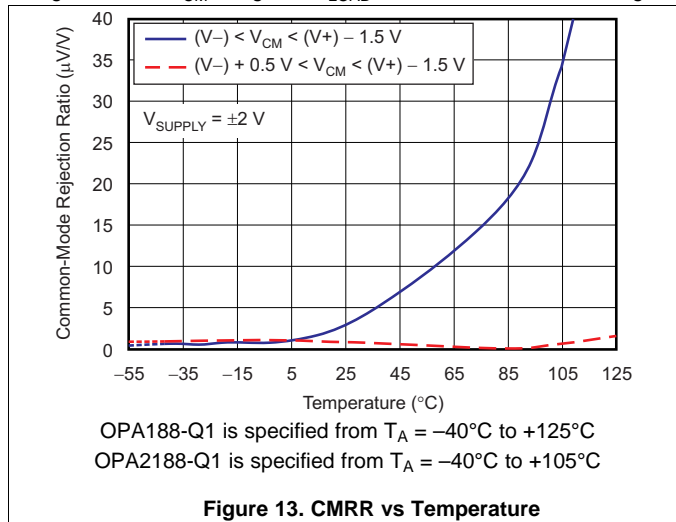


Figure 13. CMRR vs Temperature

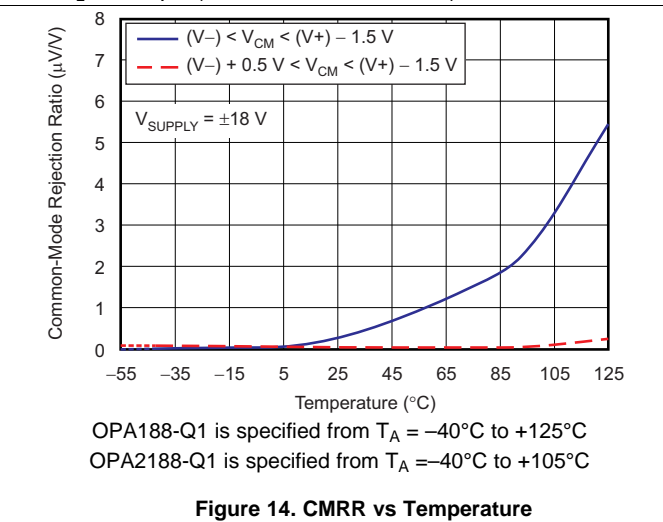


Figure 14. CMRR vs Temperature

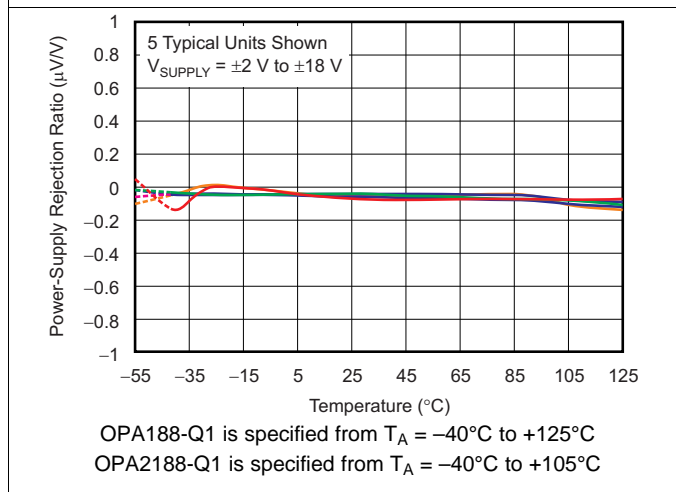


Figure 15. PSRR vs Temperature

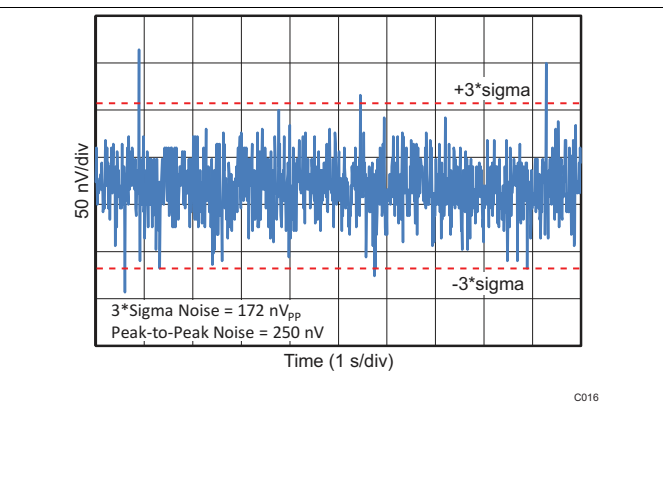


Figure 16. 0.1-Hz to 10-Hz Noise

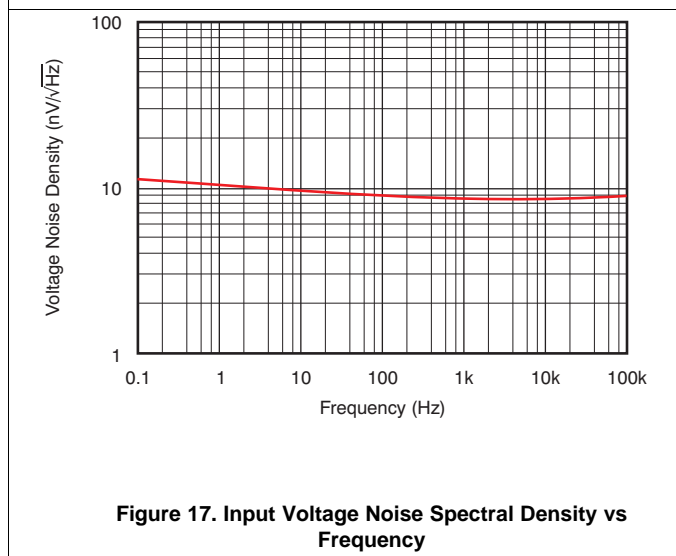


Figure 17. Input Voltage Noise Spectral Density vs Frequency

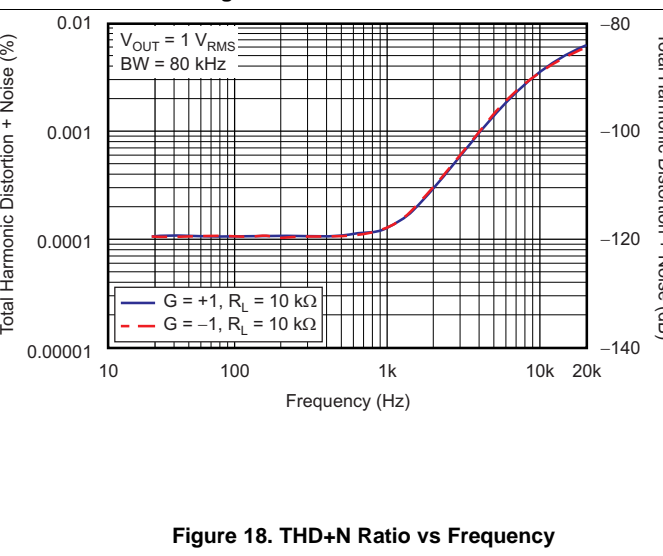


Figure 18. THD+N Ratio vs Frequency

Typical Characteristics (continued)

at  $V_S = \pm 18\text{ V}$ ,  $V_{CM} = V_S / 2$ ,  $R_{LOAD} = 10\text{ k}\Omega$  connected to  $V_S / 2$ , and  $C_L = 100\text{ pF}$  (unless otherwise noted)

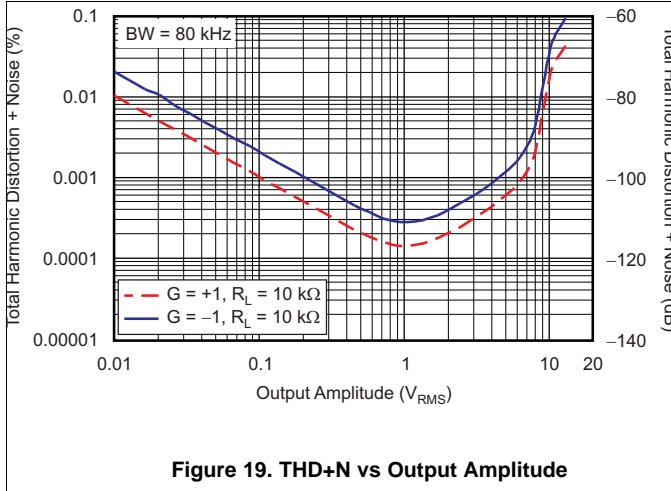


Figure 19. THD+N vs Output Amplitude

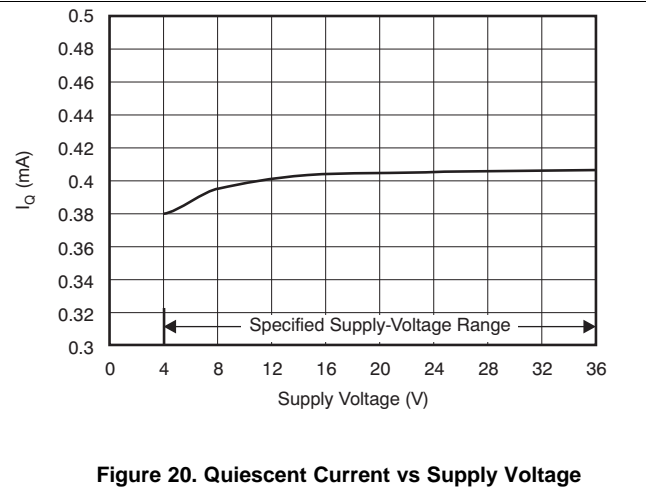


Figure 20. Quiescent Current vs Supply Voltage

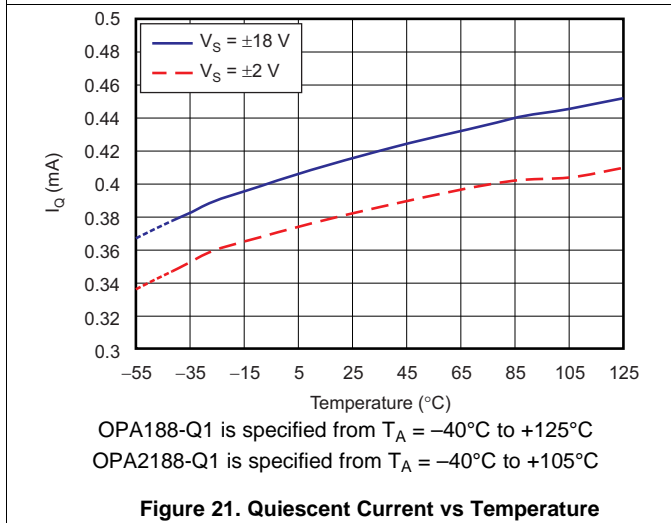


Figure 21. Quiescent Current vs Temperature

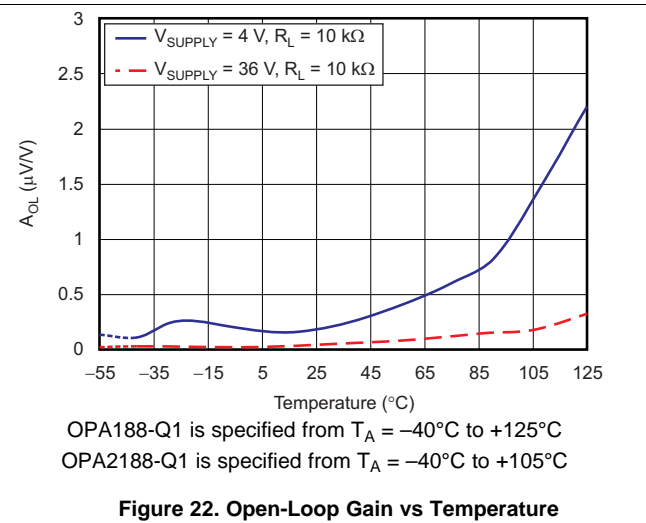


Figure 22. Open-Loop Gain vs Temperature

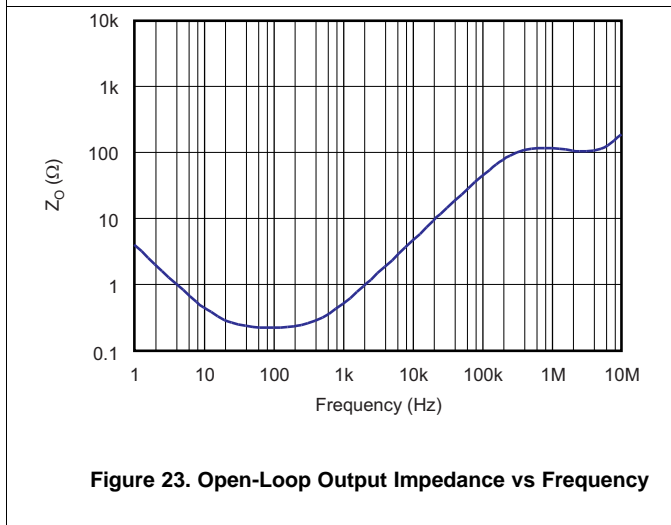


Figure 23. Open-Loop Output Impedance vs Frequency

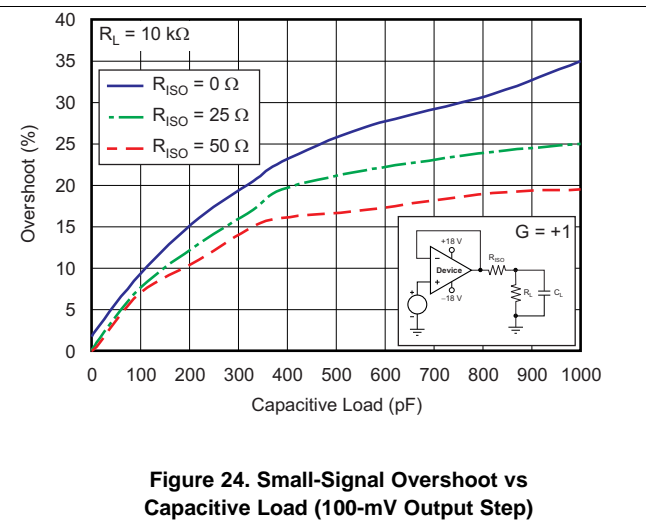


Figure 24. Small-Signal Overshoot vs Capacitive Load (100-mV Output Step)

Typical Characteristics (continued)

at  $V_S = \pm 18\text{ V}$ ,  $V_{CM} = V_S / 2$ ,  $R_{LOAD} = 10\text{ k}\Omega$  connected to  $V_S / 2$ , and  $C_L = 100\text{ pF}$  (unless otherwise noted)

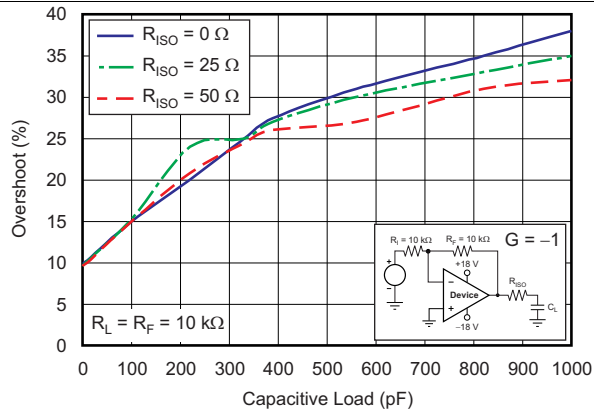


Figure 25. Small-Signal Overshoot vs Capacitive Load (100-mV Output Step)

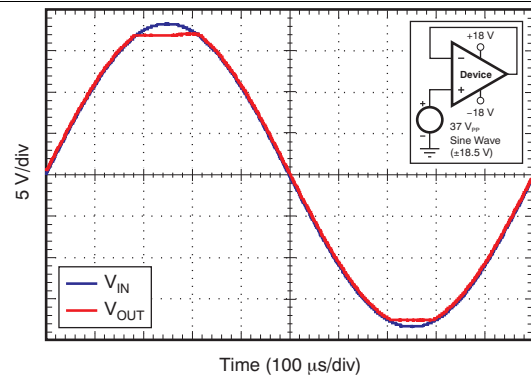


Figure 26. No Phase Reversal

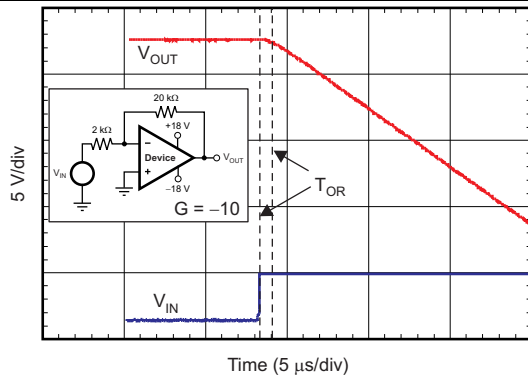


Figure 27. Positive Overload Recovery

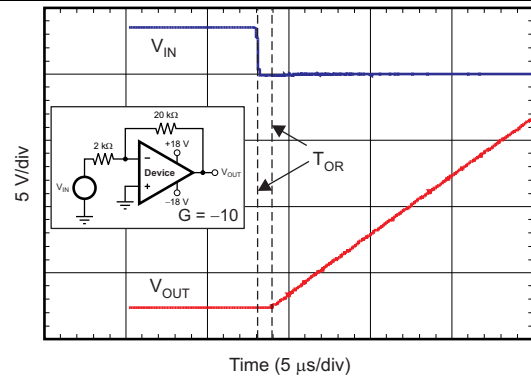


Figure 28. Negative Overload Recovery

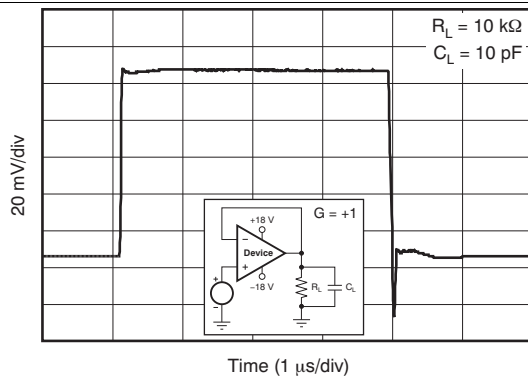


Figure 29. Small-Signal Step Response (100 mV)

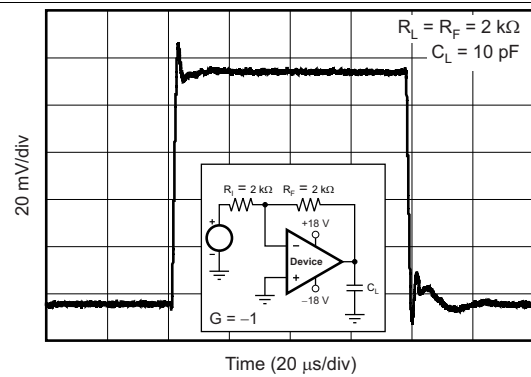


Figure 30. Small-Signal Step Response (100 mV)

Typical Characteristics (continued)

at  $V_S = \pm 18\text{ V}$ ,  $V_{CM} = V_S / 2$ ,  $R_{LOAD} = 10\text{ k}\Omega$  connected to  $V_S / 2$ , and  $C_L = 100\text{ pF}$  (unless otherwise noted)

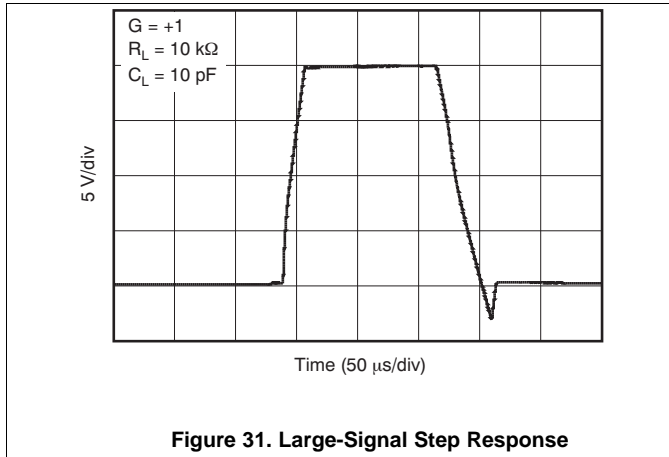


Figure 31. Large-Signal Step Response

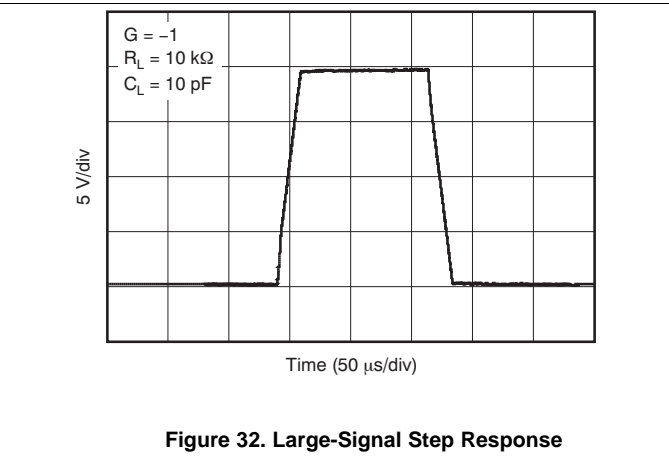


Figure 32. Large-Signal Step Response

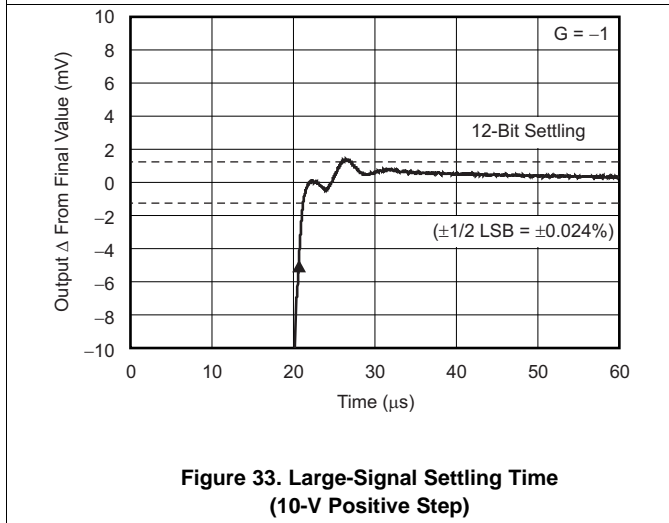


Figure 33. Large-Signal Settling Time (10-V Positive Step)

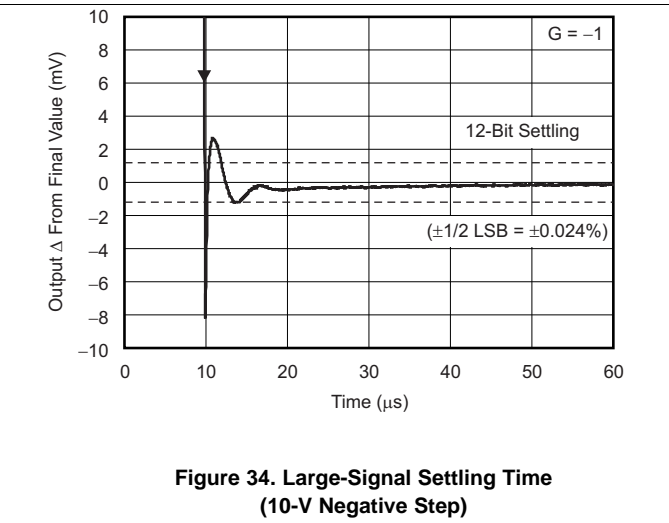


Figure 34. Large-Signal Settling Time (10-V Negative Step)

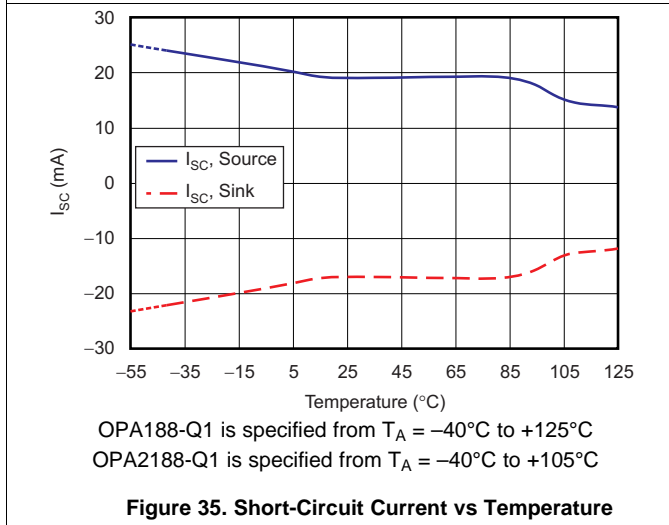


Figure 35. Short-Circuit Current vs Temperature

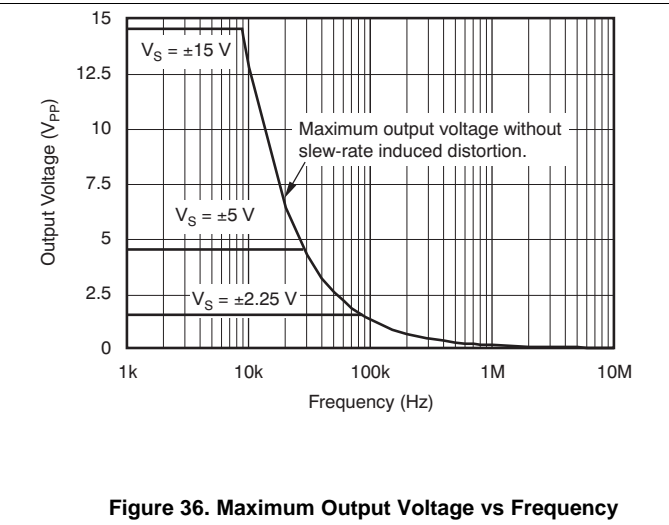
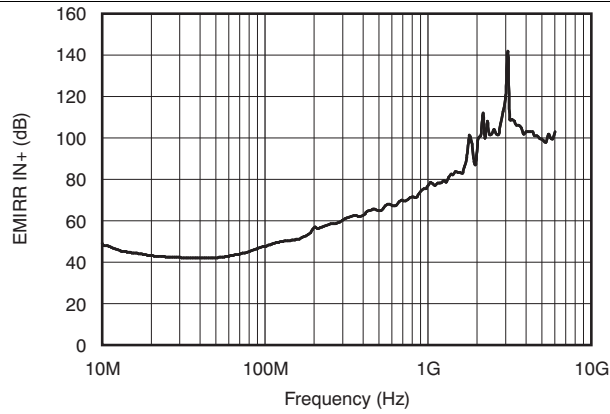


Figure 36. Maximum Output Voltage vs Frequency

**Typical Characteristics (continued)**

at  $V_S = \pm 18\text{ V}$ ,  $V_{CM} = V_S / 2$ ,  $R_{LOAD} = 10\text{ k}\Omega$  connected to  $V_S / 2$ , and  $C_L = 100\text{ pF}$  (unless otherwise noted)



**Figure 37. EMIRR IN+ vs Frequency**

## 8 Detailed Description

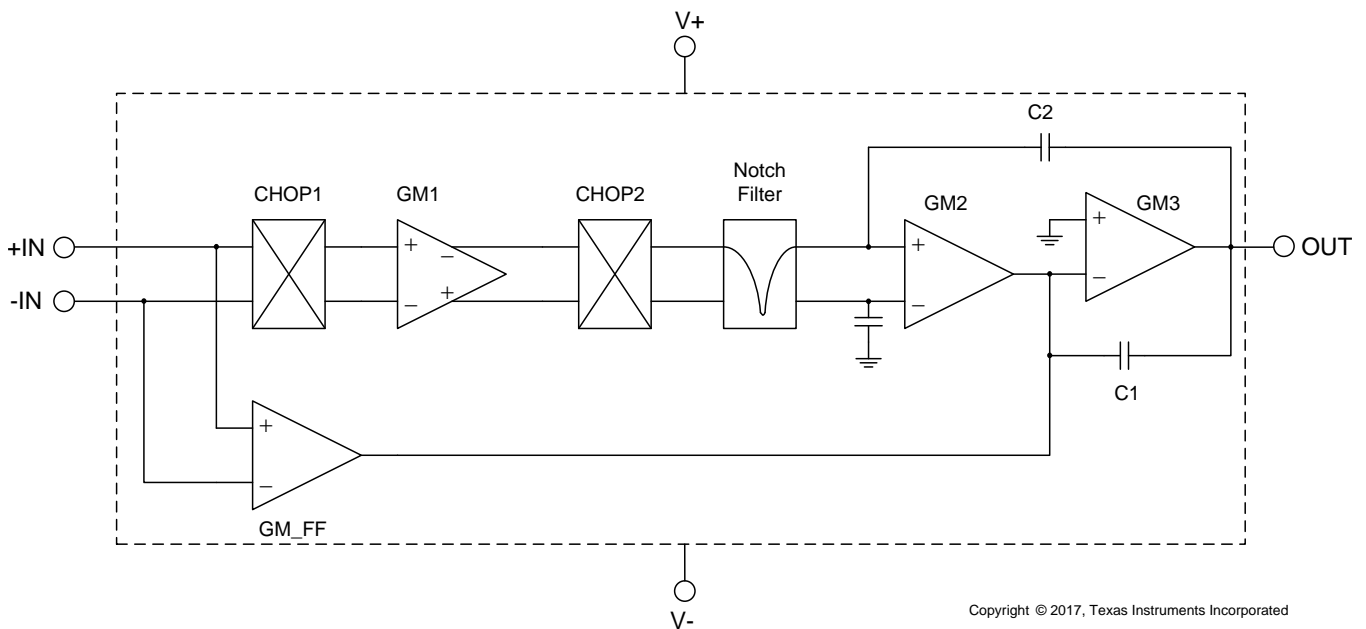
### 8.1 Overview

The OPA188 operational amplifier combines precision offset and drift with excellent overall performance, making the device ideal for many precision applications. The precision offset drift of only 0.085  $\mu\text{V}/^\circ\text{C}$  provides stability over the entire temperature range. In addition, this device offers excellent overall performance with high CMRR, PSRR, and  $A_{OL}$ . As with all amplifiers, applications with noisy or high-impedance power supplies require decoupling capacitors close to the device pins. In most cases, 0.1- $\mu\text{F}$  capacitors are adequate.

The OPA188 device is part of a family of zero-drift, low-power, rail-to-rail output operational amplifiers. These devices operate from 4 V to 36 V, are unity-gain stable, and are suitable for a wide range of general-purpose applications. The zero-drift architecture provides ultra-low input offset voltage and near-zero input offset voltage drift over temperature and time. This choice of architecture also offers outstanding ac performance, such as ultra-low broadband noise and zero flicker noise.

### 8.2 Functional Block Diagram

Figure 38 shows a representation of the proprietary OPA188 architecture. Table 2 lists the active and passive component counts for this device. The component count allows for accurate reliability calculations.



Copyright © 2017, Texas Instruments Incorporated

Figure 38. Functional Block Diagram

Table 2. Component Count

COMPONENT	COUNT
Transistors	636
Diodes	5
Resistors	41
Capacitors	72

### 8.3 Feature Description

The OPA188 is unity-gain stable and free from unexpected output phase reversal. This device uses a proprietary, periodic zero-drift technique to provide low input offset voltage and very low input offset voltage drift over temperature. For lowest offset voltage and precision performance, optimize circuit layout and mechanical conditions. Avoid temperature gradients that create thermoelectric (Seebeck) effects in the thermocouple junctions formed from connecting dissimilar conductors. Cancel these thermally-generated potentials by ensuring the potentials are equal on both input pins. Other layout and design considerations include:

- Use low thermoelectric-coefficient conditions (avoid dissimilar metals).
- Thermally isolate components from power supplies or other heat sources.
- Shield the operational amplifier and input circuitry from air currents, such as cooling fans.

Follow these guidelines to reduce the likelihood of junctions being at different temperatures, which may cause thermoelectric voltages of 0.1  $\mu\text{V}/^\circ\text{C}$  or higher, depending on the materials used.

#### 8.3.1 Operating Characteristics

The OPA188 is specified for operation from 4 V to 36 V ( $\pm 2$  V to  $\pm 18$  V). Many specifications apply from  $-40^\circ\text{C}$  to  $+125^\circ\text{C}$ . Parameters that can exhibit significant variance with regard to operating voltage or temperature are presented in [Typical Characteristics](#).

#### 8.3.2 Phase-Reversal Protection

The OPA188 has an internal phase-reversal protection. Many op amps exhibit a phase reversal when the input is driven beyond the linear common-mode range. This condition is most often encountered in noninverting circuits when the input is driven beyond the specified common-mode voltage range, causing the output to reverse into the opposite rail. The OPA188 input prevents phase reversal with excessive common-mode voltage. Instead, the output limits into the appropriate rail; [Figure 39](#) shows this performance.

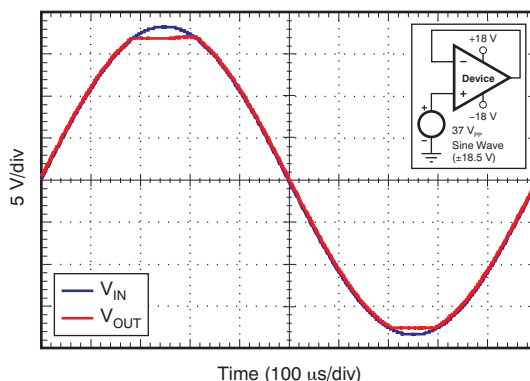


Figure 39. No Phase Reversal

#### 8.3.3 Input Bias Current Clock Feedthrough

Zero-drift amplifiers (such as the OPA188) use switching on the inputs to correct for the intrinsic offset and drift of the amplifier. Charge injection from the integrated switches on the inputs can introduce very short transients in the input bias current of the amplifier. The extremely short duration of these pulses prevents the device from being amplified. However, the devices may be coupled to the output of the amplifier through the feedback network. The most effective method to prevent transients in the input bias current from producing additional noise at the amplifier output is to use a low-pass filter such as an RC network.

#### 8.3.4 Internal Offset Correction

The OPA188 op amp uses an auto-calibration technique with a time-continuous 750-kHz op amp in the signal path. This amplifier is zero-corrected every 3  $\mu\text{s}$  using a proprietary technique. Upon power up, the amplifier requires approximately 100  $\mu\text{s}$  to achieve the specified  $V_{OS}$  accuracy. This design has no aliasing or flicker noise.

## Feature Description (continued)

### 8.3.5 EMI Rejection

The OPA188 uses integrated electromagnetic interference (EMI) filtering to reduce the effects of EMI interference from sources such as wireless communications and densely-populated boards with a mix of analog signal chain and digital components. EMI immunity can be improved with circuit design techniques; the benefits from these design improvements. Texas Instruments™ has developed the ability to accurately measure and quantify the immunity of an operational amplifier over a broad frequency spectrum extending from 10 MHz to 6 GHz. [Figure 40](#) shows the results of this testing on the OPA188. [Table 3](#) lists the EMIRR IN+ values for the OPA188 at particular frequencies commonly encountered in real-world applications. Applications listed in [Table 3](#) may be centered on or operated near the particular frequency shown. Detailed information can also be found in [EMI Rejection Ratio of Operational Amplifiers](#), available for download from [www.ti.com](http://www.ti.com).

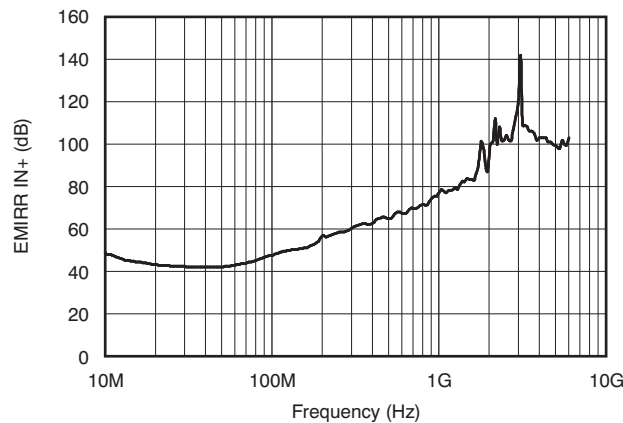


Figure 40. EMIRR Testing

Table 3. OPA188 EMIRR IN+ for Frequencies of Interest

FREQUENCY	APPLICATION OR ALLOCATION	EMIRR IN+
400 MHz	Mobile radio, mobile satellite, space operation, weather, radar, ultra-high frequency (UHF) applications	62.2 dB
900 MHz	Global system for mobile communications (GSM) applications, radio communication, navigation, GPS (to 1.6 GHz), GSM, aeronautical mobile, UHF applications	74.7 dB
1.8 GHz	GSM applications, mobile personal communications, broadband, satellite, L-band (1 GHz to 2 GHz)	100.7 dB
2.4 GHz	802.11b, 802.11g, 802.11n, <i>Bluetooth</i> ®, mobile personal communications, industrial, scientific and medical (ISM) radio band, amateur radio and satellite, S-band (2 GHz to 4 GHz)	102.4 dB
3.6 GHz	Radiolocation, aero communication and navigation, satellite, mobile, S-band	104.8 dB
5 GHz	802.11a, 802.11n, aero communication and navigation, mobile communication, space and satellite operation, C-band (4 GHz to 8 GHz)	100.3 dB

### 8.3.6 Capacitive Load and Stability

The device dynamic characteristics are optimized for a range of common operating conditions. The combination of low closed-loop gain and high capacitive loads decreases the amplifier phase margin and can lead to gain peaking or oscillations. As a result, larger capacitive loads must be isolated from the output. The simplest way to achieve this isolation is to add a small resistor (for example,  $R_{OUT}$  equal to 50  $\Omega$ ) in series with the output. [Figure 41](#) and [Figure 42](#) show graphs of small-signal overshoot versus capacitive load for several values of  $R_{OUT}$ . For details of analysis techniques and application circuits, see [Feedback Plots Define Op Amp AC Performance](#), available for download from [www.ti.com](http://www.ti.com).

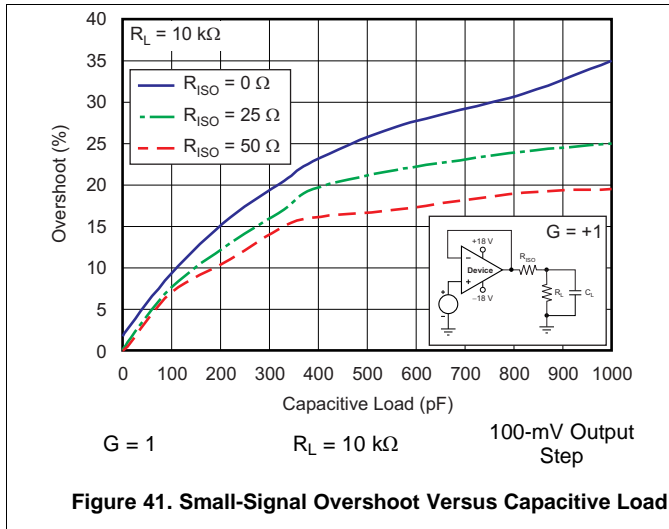


Figure 41. Small-Signal Overshoot Versus Capacitive Load

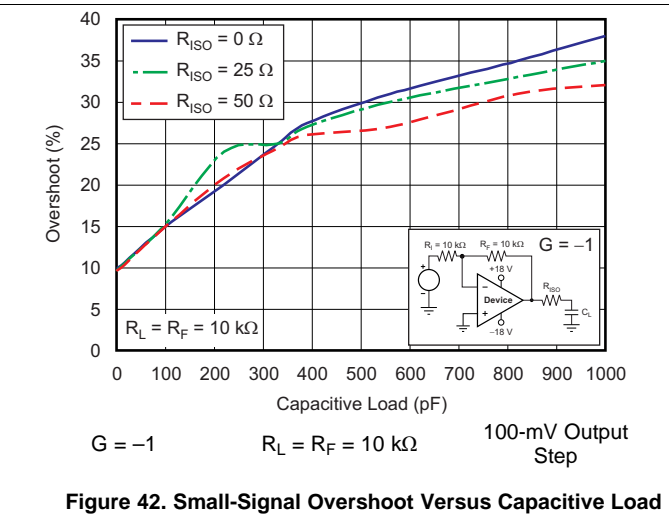


Figure 42. Small-Signal Overshoot Versus Capacitive Load

### 8.3.7 Electrical Overstress

Designers often ask questions about the capability of an operational amplifier to withstand electrical overstress. These questions tend to focus on the device inputs, but may involve the supply voltage pins or the output pin. Each of these different pin functions have electrical stress limits determined by the voltage breakdown characteristics of the particular semiconductor fabrication process and specific circuits connected to the pin. Additionally, internal electrostatic discharge (ESD) protection is built into these circuits to protect them from accidental ESD events both before and during product assembly.

Having a good understanding of this basic ESD circuitry and its relevance to an electrical overstress event is helpful. See Figure 43 for an illustration of the ESD circuits contained in the OPA188 (indicated by the dashed line area). The ESD protection circuitry involves several current-steering diodes connected from the input and output pins and routed back to the internal power-supply lines, where the diodes meet at an internal absorption device of the operational amplifier. This protection circuitry is intended to remain inactive during normal circuit operation.

An ESD event produces a short-duration, high-voltage pulse that is transformed into a short-duration, high-current pulse while discharging through a semiconductor device. The ESD protection circuits are designed to provide a current path around the operational amplifier core to prevent damage. The energy absorbed by the protection circuitry is dissipated as heat.

When an ESD voltage develops across two or more amplifier device pins, current flows through one or more steering diodes. Depending on the path that the current takes, the absorption device may activate. The absorption device has a trigger, or threshold voltage, that is above the normal operating voltage of the OPA188 but below the device breakdown voltage level. When this threshold is exceeded, the absorption device quickly activates and clamps the voltage across the supply rails to a safe level.

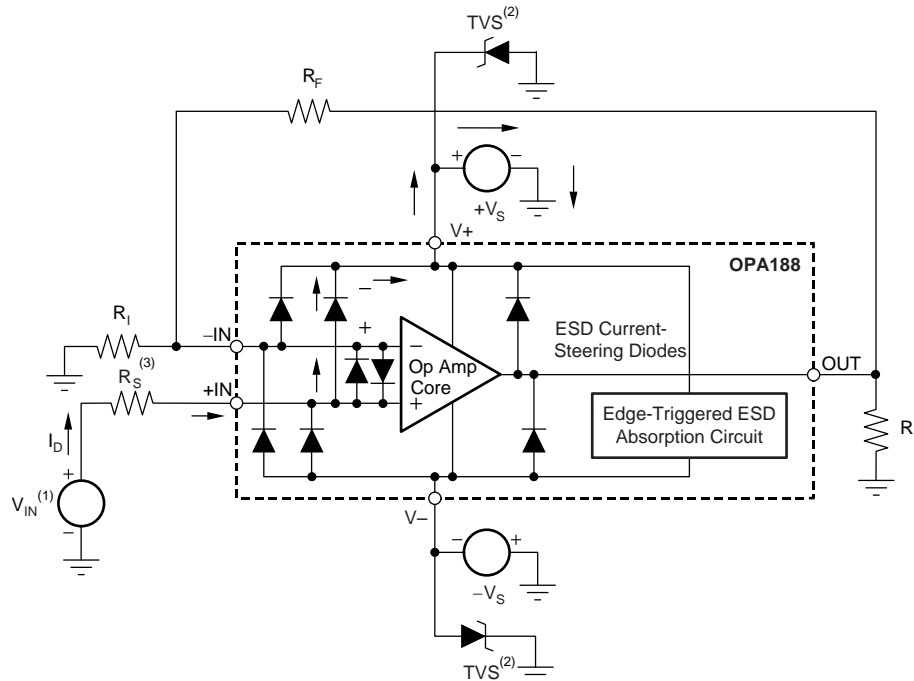
When the operational amplifier connects into a circuit (such as Figure 43 shows), the ESD protection components are intended to remain inactive and do not become involved in the operation of the application circuit. However, circumstances may arise where an applied voltage exceeds the operating voltage range of a given pin. If this condition occurs, there is a risk that some internal ESD protection circuits may be biased on and conduct current. Any such current flow occurs through steering-diode paths and rarely involves the absorption device.

Figure 43 shows a specific example where the input voltage,  $V_{IN}$ , exceeds the positive supply voltage ( $+V_S$ ) by 500 mV or more. Much of what happens in the circuit depends on the supply characteristics. If  $+V_S$  can sink the current, one of the upper-input steering diodes conducts and directs current to  $+V_S$ . Excessively high current levels can flow with increasingly higher  $V_{IN}$ . As a result, the data sheet specifications recommend that applications limit the input current to 10 mA.

If the supply is not capable of sinking the current,  $V_{IN}$  may begin sourcing current to the operational amplifier, and then take over as the source of positive supply voltage. The danger in this case is that the voltage can rise to levels that exceed the absolute maximum ratings of the operational amplifier.

Another common question involves what happens to the amplifier if an input signal is applied to the input while the power supplies ( $+V_S$  or  $-V_S$ ) are at 0 V. Again, this question depends on the supply characteristic while at 0 V, or at a level below the input signal amplitude. If the supplies appear as high impedance, then the operational amplifier supply current may be supplied by the input source through the current-steering diodes. This state is not a normal bias condition; the amplifier will not operate normally. If the supplies are low impedance, then the current through the steering diodes can become quite high. The current level depends on the ability of the input source to deliver current, and any resistance in the input path.

If there is any uncertainty about the ability of the supply to absorb this current, external zener diodes may be added to the supply pins, as shown in Figure 43. The zener voltage must be selected such that the diode does not turn on during normal operation. However, the zener voltage must be low enough so that the zener diode conducts if the supply pin begins to rise above the safe operating supply voltage level.



Copyright © 2016, Texas Instruments Incorporated

- (1)  $V_{IN} = +V_S + 500 \text{ mV}$ .
- (2) TVS:  $+V_{S(max)} > V_{TVSBR(min)} > +V_S$ .
- (3) Suggested value is approximately 1 k $\Omega$ .

**Figure 43. Equivalent Internal ESD Circuitry Relative to a Typical Circuit Application**

The OPA188 input terminals are protected from excessive differential voltage with back-to-back diodes, as shown in Figure 43. In most circuit applications, the input protection circuitry has no consequence. However, in low-gain and  $G = 1$  circuits, fast-ramping input signals can forward-bias these diodes because the output of the amplifier cannot respond rapidly enough to the input ramp. If the input signal is fast enough to create this forward-bias condition, the input signal current must be limited to 10 mA or less. If the input signal current is not inherently limited, an input series resistor can be used to limit the signal input current. This input series resistor degrades the low-noise performance of the OPA188. Figure 43 shows an example configuration that implements a current-limiting feedback resistor.

## 8.4 Device Functional Modes

The OPA188 has a single functional mode, and is operational when the power-supply voltage is greater than 4.5 V ( $\pm 2.25$  V). The maximum power supply voltage for the OPA188 is 36 V ( $\pm 18$  V).

## 9 Application and Implementation

### NOTE

Information in the following applications sections is not part of the TI component specification, and TI does not warrant its accuracy or completeness. TI's customers are responsible for determining suitability of components for their purposes. Customers should validate and test their design implementation to confirm system functionality.

### 9.1 Application Information

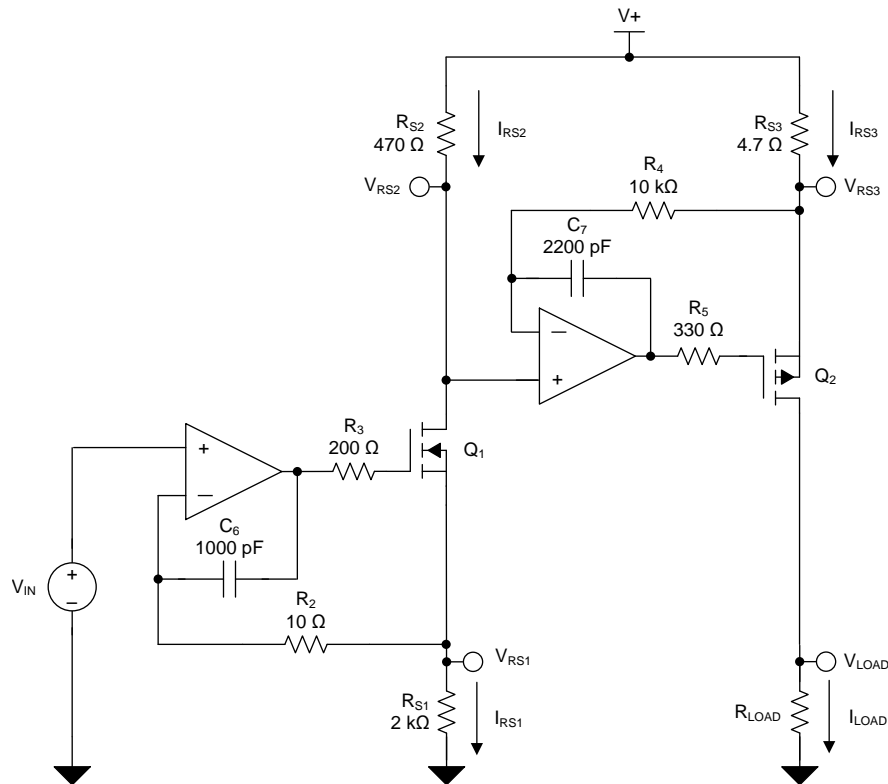
The OPA188 operational amplifier combines precision offset and drift with excellent overall performance, making it ideal for many precision applications. The precision offset drift of only  $0.085 \mu\text{V}/^\circ\text{C}$  provides stability over the entire temperature range. In addition, the device pairs excellent CMRR, PSRR, and  $A_{OL}$  dc performance with outstanding low-noise operation. As with all amplifiers, applications with noisy or high-impedance power supplies require decoupling capacitors close to the device pins. In most cases,  $0.1\text{-}\mu\text{F}$  capacitors are adequate.

The following application examples highlight only a few of the circuits where the OPA188 can be used.

### 9.2 Typical Applications

#### 9.2.1 High-Side Voltage-to-Current (V-I) Converter

The circuit shown in Figure 44 is a high-side voltage-to-current (V-I) converter. The converter translates an input voltage of  $0\text{ V}$  to  $2\text{ V}$  to an output current of  $0\text{ mA}$  to  $100\text{ mA}$ . Figure 45 shows the measured transfer function for this circuit. The low offset voltage and offset drift of the OPA188 facilitate excellent dc accuracy for the circuit.



Copyright © 2016, Texas Instruments Incorporated

Figure 44. High-Side Voltage-to-Current (V-I) Converter

#### 9.2.1.1 Design Requirements

The design requirements are:

### Typical Applications (continued)

- Supply voltage: 5 V dc
- Input: 0 V to 2 V dc
- Output: 0 mA to 100 mA dc

#### 9.2.1.2 Detailed Design Procedure

The V-I transfer function of the circuit is based on the relationship between the input voltage,  $V_{IN}$ , and the three current sensing resistors,  $R_{S1}$ ,  $R_{S2}$ , and  $R_{S3}$ . The relationship between  $V_{IN}$  and  $R_{S1}$  determines the current that flows through the first stage of the design. The current gain from the first stage to the second stage is based on the relationship between  $R_{S2}$  and  $R_{S3}$ .

For a successful design, pay close attention to the dc characteristics of the operational amplifier chosen for the application. To meet the performance goals, this application benefits from an operational amplifier with low offset voltage, low temperature drift, and rail-to-rail output. The OPA188 CMOS operational amplifier is a high-precision, ultra-low offset, ultra-low drift amplifier, optimized for low-voltage, single-supply operation, with an output swing to within 15 mV of the positive rail. The devices in the OPA188 family use chopping techniques to provide low initial offset voltage and near-zero drift over time and temperature. Low offset voltage and low drift reduce the offset error in the system, making this device appropriate for precise dc control. The rail-to-rail output stage of the OPA188 makes sure that the output swing of the operational amplifier is able to fully control the gate of the MOSFET devices within the supply rails.

A detailed error analysis, design procedure, and additional measured results are given in reference design TIPD102, a step-by-step process to design a [High-Side Voltage-to-Current \(V-I\) Converter](#).



For step-by-step design procedure, circuit schematics, bill of materials, PCB files, simulation results, and test results, refer to [TI Precision Design TIPD102, High-Side Voltage-to-Current \(V-I\) Converter \(SLAU502\)](#).

#### 9.2.1.3 Application Curves

Figure 45 shows the measured transfer function for the high-side voltage-to-current converter shown in Figure 44 .

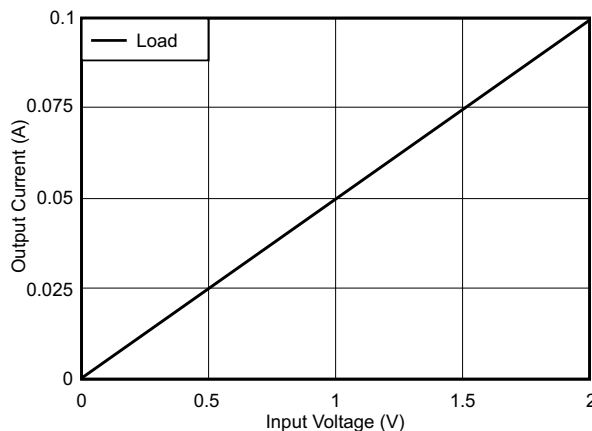


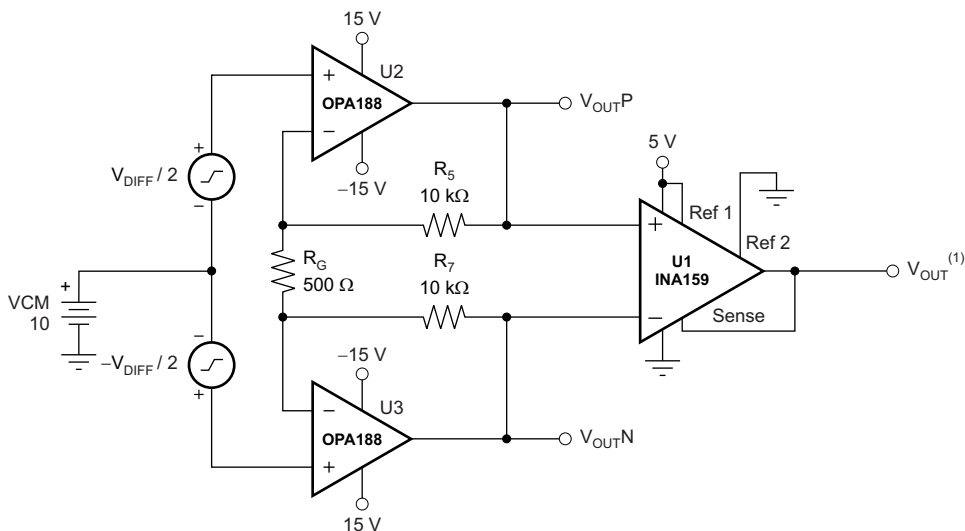
Figure 45. Measured Transfer Function for High-Side V-I Converter

#### 9.2.2 Discrete INA + Attenuation for ADC With 3.3-V Supply

##### NOTE

The TINA-TI files shown in the following sections require that either the TINA software (from DesignSoft™) or TINA-TI software be installed. Download the free TINA-TI software from the [TINA-TI folder](#).

Figure 46 shows an example of how the OPA188 is used as a high-voltage, high-impedance front-end for a precision, discrete instrumentation amplifier with attenuation. The INA159 provides the attenuation that allows this circuit to easily interface with 3.3-V or 5-V analog-to-digital converters (ADCs). Click the following link to download the TINA-TI file: [Discrete INA](#).

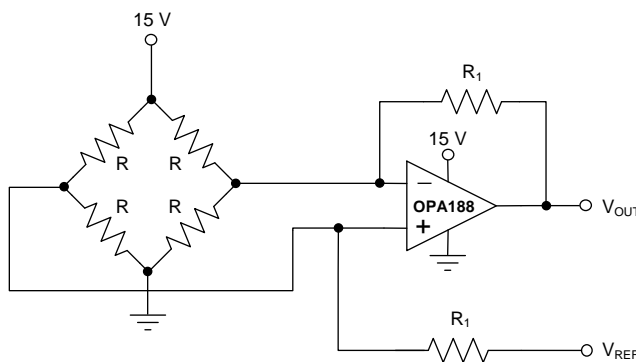


(1)  $V_{OUT} = V_{DIFF} \times (41 / 5) + (Ref\ 1) / 2.$

Figure 46. Discrete INA + Attenuation for ADC With 3.3-V Supply

### 9.2.3 Bridge Amplifier

Figure 47 shows the basic configuration for a bridge amplifier. Click the following link to download the TINA-TI file: [Bridge Amplifier Circuit](#).

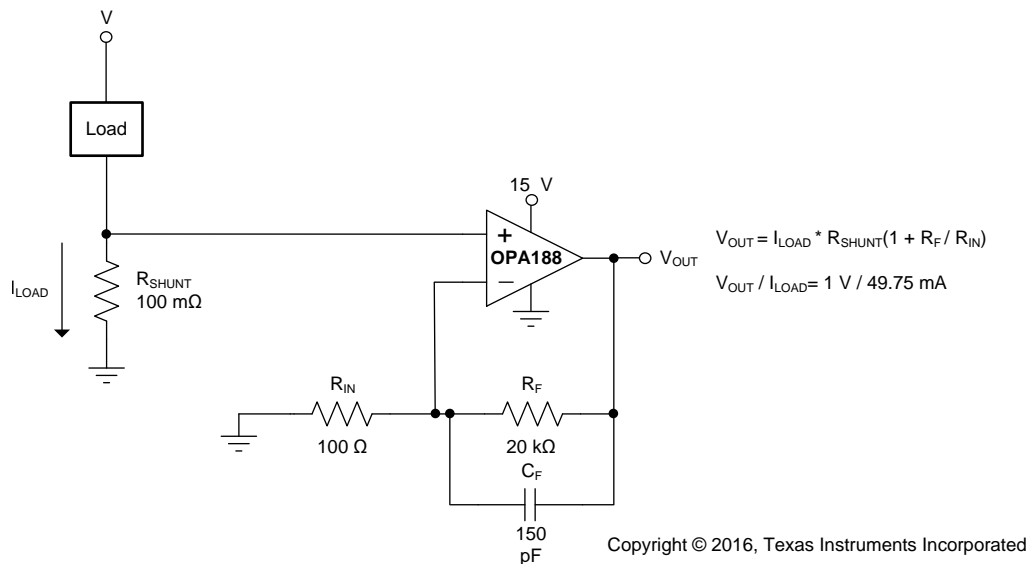


Copyright © 2016, Texas Instruments Incorporated

Figure 47. Bridge Amplifier

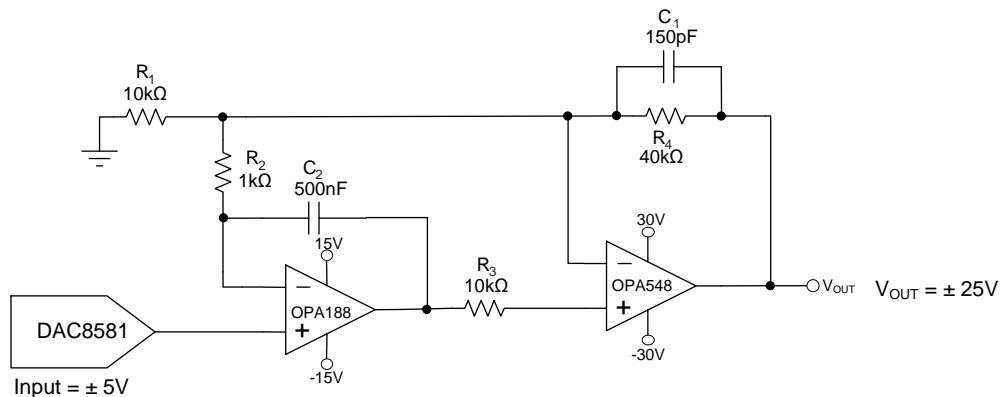
### 9.2.4 Low-Side Current Monitor

Figure 48 shows the OPA188 configured in a low-side current-sensing application. The load current ( $I_{LOAD}$ ) creates a voltage drop across the shunt resistor ( $R_{SHUNT}$ ). This voltage is amplified by the OPA188, with a gain of 201. The load current is set from 0 A to 500 mA, which corresponds to an output voltage range from 0 V to 10 V. The output range can be adjusted by changing the shunt resistor or gain of the configuration. Click the following link to download the TINA-TI file: [Current-Sensing Circuit](#).


**Figure 48. Low-Side Current Monitor**

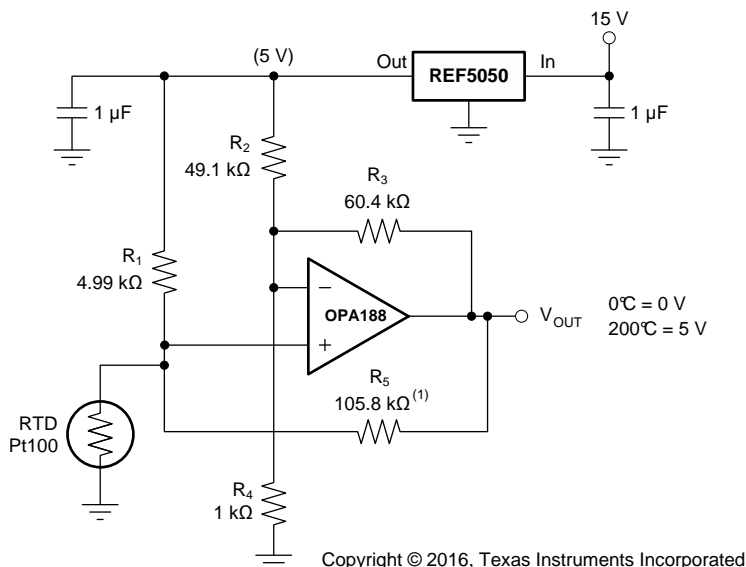
### 9.2.5 Programmable Power Supply

Figure 49 shows the OPA188 configured as a precision programmable power supply using the 16-bit, voltage output DAC8581 and the OPA548 high-current amplifier. This application amplifies the digital-to-analog converter (DAC) voltage by a value of five, and handles a large variety of capacitive and current loads. The OPA188 in the front-end provides precision and low drift across a wide range of inputs and conditions. Click the following link to download the TINA-TI file: [Programmable Power-Supply Circuit](#).


**Figure 49. Programmable Power Supply**

### 9.2.6 RTD Amplifier With Linearization

See [Analog Linearization Of Resistance Temperature Detectors](#) for an in-depth analysis of Figure 50 . Click the following link to download the TINA-TI file: [RTD Amplifier with Linearization](#).



(1)  $R_5$  provides positive-varying excitation to linearize output.

**Figure 50. RTD Amplifier With Linearization**

## 10 Power Supply Recommendations

The OPA188 is specified for operation from 4 V to 36 V ( $\pm 2$  V to  $\pm 18$  V); many specifications apply from  $-40^\circ\text{C}$  to  $+125^\circ\text{C}$ . [Typical Characteristics](#) presents parameters that can exhibit significant variance with regard to operating voltage or temperature.

### CAUTION

Supply voltages larger than 40 V can permanently damage the device (see the [Absolute Maximum Ratings](#)).

Place 0.1- $\mu\text{F}$  bypass capacitors close to the power-supply pins to reduce errors coupling in from noisy or high-impedance power supplies. For more detailed information on bypass capacitor placement, see [Layout](#).

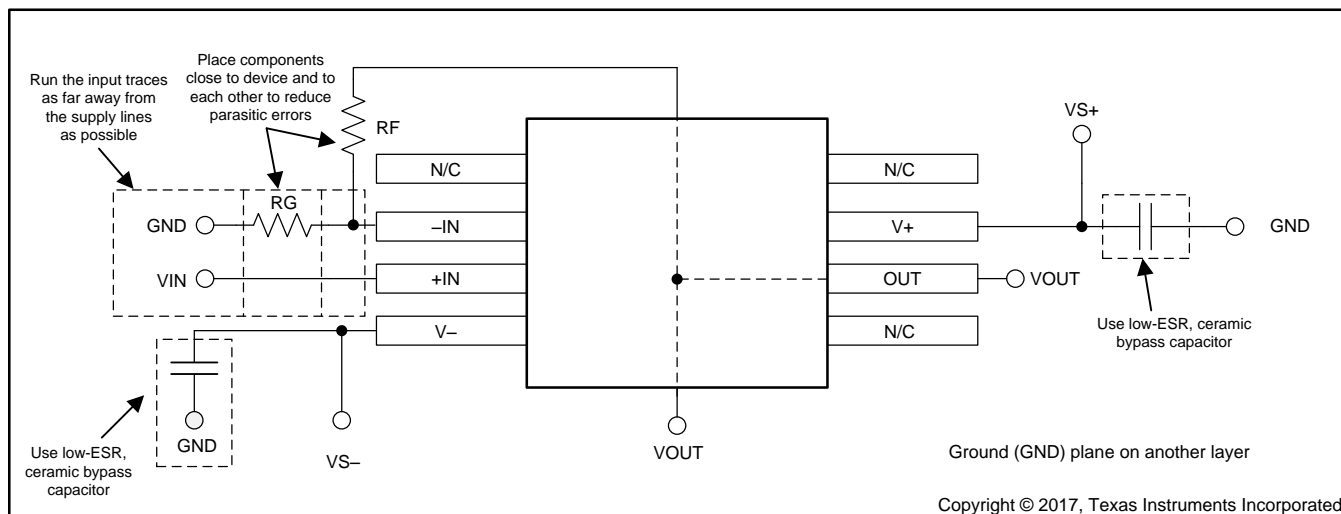
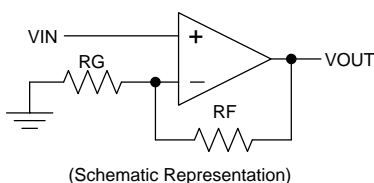
## 11 Layout

### 11.1 Layout Guidelines

For best operational performance of the device, use good printed circuit board (PCB) layout practices, including:

- Low-ESR, 0.1- $\mu\text{F}$  ceramic bypass capacitors must be connected between each supply pin and ground, placed as close to the device as possible. A single bypass capacitor from  $V+$  to ground is applicable to single-supply applications.
- To reduce parasitic coupling, run the input traces as far away from the supply lines as possible.
- A ground plane helps distribute heat and reduces EMI noise pickup.
- Place the external components as close to the device as possible. This configuration prevents parasitic errors (such as the Seebeck effect) from occurring.
- Consider a driven, low-impedance guard ring around the critical traces. A guard ring can significantly reduce leakage currents from nearby traces that are at different potentials.

### 11.2 Layout Example



**Figure 51. Layout Example**

## 12 Device and Documentation Support

### 12.1 Device Support

#### 12.1.1 Development Support

##### 12.1.1.1 TINA-TI™ (Free Download Software)

TINA™ is a simple, powerful, and easy-to-use circuit simulation program based on a SPICE engine. TINA-TI is a free, fully-functional version of the TINA software, preloaded with a library of macromodels in addition to a range of both passive and active models. TINA-TI provides all the conventional dc, transient, and frequency domain analysis of SPICE as well as additional design capabilities.

Available as a free download, [TINA-TI](#) offers extensive post-processing capability that allows users to format results in a variety of ways. Virtual instruments offer users the ability to select input waveforms and probe circuit nodes, voltages, and waveforms, creating a dynamic quick-start tool.

### 12.2 Documentation Support

#### 12.2.1 Related Documentation

For related documentation see the following:

- [EMI Rejection Ratio of Operational Amplifiers](#) (SBOA128)
- [Feedback Plots Define Op Amp AC Performance](#) (SBOA015)
- [Analog Linearization Of Resistance Temperature Detectors](#) (SLYT442)
- [High-Side Voltage-to-Current \(V-I\) Converter](#) (SLAU502)

### 12.3 Receiving Notification of Documentation Updates

To receive notification of documentation updates, navigate to the device product folder on [ti.com](#). In the upper right corner, click on *Alert me* to register and receive a weekly digest of any product information that has changed. For change details, review the revision history included in any revised document.

### 12.4 Community Resources

The following links connect to TI community resources. Linked contents are provided "AS IS" by the respective contributors. They do not constitute TI specifications and do not necessarily reflect TI's views; see TI's [Terms of Use](#).

**TI E2E™ Online Community** *TI's Engineer-to-Engineer (E2E) Community*. Created to foster collaboration among engineers. At [e2e.ti.com](#), you can ask questions, share knowledge, explore ideas and help solve problems with fellow engineers.

**Design Support** *TI's Design Support* Quickly find helpful E2E forums along with design support tools and contact information for technical support.

## 12.5 Trademarks

Texas Instruments, E2E are trademarks of Texas Instruments.  
TINA-TI is a trademark of Texas Instruments, Inc and DesignSoft, Inc.  
*Bluetooth* is a registered trademark of Bluetooth SIG, Inc.  
DesignSoft, TINA are trademarks of DesignSoft, Inc.  
All other trademarks are the property of their respective owners.

## 12.6 Electrostatic Discharge Caution



This integrated circuit can be damaged by ESD. Texas Instruments recommends that all integrated circuits be handled with appropriate precautions. Failure to observe proper handling and installation procedures can cause damage.

ESD damage can range from subtle performance degradation to complete device failure. Precision integrated circuits may be more susceptible to damage because very small parametric changes could cause the device not to meet its published specifications.

## 12.7 Glossary

[SLYZ022](#) — *TI Glossary*.

This glossary lists and explains terms, acronyms, and definitions.

## 13 Mechanical, Packaging, and Orderable Information

The following pages include mechanical, packaging, and orderable information. This information is the most current data available for the designated devices. This data is subject to change without notice and revision of this document. For browser-based versions of this data sheet, refer to the left-hand navigation.

**PACKAGING INFORMATION**

Orderable Device	Status (1)	Package Type	Package Drawing	Pins	Package Qty	Eco Plan (2)	Lead/Ball Finish (6)	MSL Peak Temp (3)	Op Temp (°C)	Device Marking (4/5)	Samples
OPA188AID	ACTIVE	SOIC	D	8	75	Green (RoHS & no Sb/Br)	CU NIPDAU	Level-2-260C-1 YEAR	-40 to 125	OPA188	<a href="#">Samples</a>
OPA188AIDBVR	ACTIVE	SOT-23	DBV	5	3000	Green (RoHS & no Sb/Br)	CU NIPDAU	Level-2-260C-1 YEAR	-40 to 125	QXZ	<a href="#">Samples</a>
OPA188AIDBVT	ACTIVE	SOT-23	DBV	5	250	Green (RoHS & no Sb/Br)	CU NIPDAU	Level-2-260C-1 YEAR	-40 to 125	QXZ	<a href="#">Samples</a>
OPA188AIDGKR	ACTIVE	VSSOP	DGK	8	2500	Green (RoHS & no Sb/Br)	CU NIPDAU	Level-2-260C-1 YEAR	-40 to 125	QXX	<a href="#">Samples</a>
OPA188AIDGKT	ACTIVE	VSSOP	DGK	8	250	Green (RoHS & no Sb/Br)	CU NIPDAU	Level-2-260C-1 YEAR	-40 to 125	QXX	<a href="#">Samples</a>
OPA188AIDR	ACTIVE	SOIC	D	8	2500	Green (RoHS & no Sb/Br)	CU NIPDAU	Level-2-260C-1 YEAR	-40 to 125	OPA188	<a href="#">Samples</a>

(1) The marketing status values are defined as follows:

**ACTIVE:** Product device recommended for new designs.

**LIFEBUY:** TI has announced that the device will be discontinued, and a lifetime-buy period is in effect.

**NRND:** Not recommended for new designs. Device is in production to support existing customers, but TI does not recommend using this part in a new design.

**PREVIEW:** Device has been announced but is not in production. Samples may or may not be available.

**OBSELETE:** TI has discontinued the production of the device.

(2) Eco Plan - The planned eco-friendly classification: Pb-Free (RoHS), Pb-Free (RoHS Exempt), or Green (RoHS & no Sb/Br) - please check <http://www.ti.com/productcontent> for the latest availability information and additional product content details.

**TBD:** The Pb-Free/Green conversion plan has not been defined.

**Pb-Free (RoHS):** TI's terms "Lead-Free" or "Pb-Free" mean semiconductor products that are compatible with the current RoHS requirements for all 6 substances, including the requirement that lead not exceed 0.1% by weight in homogeneous materials. Where designed to be soldered at high temperatures, TI Pb-Free products are suitable for use in specified lead-free processes.

**Pb-Free (RoHS Exempt):** This component has a RoHS exemption for either 1) lead-based flip-chip solder bumps used between the die and package, or 2) lead-based die adhesive used between the die and leadframe. The component is otherwise considered Pb-Free (RoHS compatible) as defined above.

**Green (RoHS & no Sb/Br):** TI defines "Green" to mean Pb-Free (RoHS compatible), and free of Bromine (Br) and Antimony (Sb) based flame retardants (Br or Sb do not exceed 0.1% by weight in homogeneous material)

(3) MSL, Peak Temp. - The Moisture Sensitivity Level rating according to the JEDEC industry standard classifications, and peak solder temperature.

(4) There may be additional marking, which relates to the logo, the lot trace code information, or the environmental category on the device.

(5) Multiple Device Markings will be inside parentheses. Only one Device Marking contained in parentheses and separated by a "~" will appear on a device. If a line is indented then it is a continuation of the previous line and the two combined represent the entire Device Marking for that device.

<sup>(6)</sup> Lead/Ball Finish - Orderable Devices may have multiple material finish options. Finish options are separated by a vertical ruled line. Lead/Ball Finish values may wrap to two lines if the finish value exceeds the maximum column width.

**Important Information and Disclaimer:** The information provided on this page represents TI's knowledge and belief as of the date that it is provided. TI bases its knowledge and belief on information provided by third parties, and makes no representation or warranty as to the accuracy of such information. Efforts are underway to better integrate information from third parties. TI has taken and continues to take reasonable steps to provide representative and accurate information but may not have conducted destructive testing or chemical analysis on incoming materials and chemicals. TI and TI suppliers consider certain information to be proprietary, and thus CAS numbers and other limited information may not be available for release.

In no event shall TI's liability arising out of such information exceed the total purchase price of the TI part(s) at issue in this document sold by TI to Customer on an annual basis.

## TAPE AND REEL INFORMATION



### QUADRANT ASSIGNMENTS FOR PIN 1 ORIENTATION IN TAPE



\*All dimensions are nominal

Device	Package Type	Package Drawing	Pins	SPQ	Reel Diameter (mm)	Reel Width W1 (mm)	A0 (mm)	B0 (mm)	K0 (mm)	P1 (mm)	W (mm)	Pin1 Quadrant
OPA188AIDBVR	SOT-23	DBV	5	3000	180.0	8.4	3.23	3.17	1.37	4.0	8.0	Q3
OPA188AIDBVT	SOT-23	DBV	5	250	180.0	8.4	3.23	3.17	1.37	4.0	8.0	Q3
OPA188AIDGKR	VSSOP	DGK	8	2500	330.0	12.4	5.3	3.4	1.4	8.0	12.0	Q1
OPA188AIDGKT	VSSOP	DGK	8	250	177.8	12.4	5.3	3.4	1.4	8.0	12.0	Q1
OPA188AIDR	SOIC	D	8	2500	330.0	12.4	6.4	5.2	2.1	8.0	12.0	Q1

**TAPE AND REEL BOX DIMENSIONS**


\*All dimensions are nominal

Device	Package Type	Package Drawing	Pins	SPQ	Length (mm)	Width (mm)	Height (mm)
OPA188AIDBVR	SOT-23	DBV	5	3000	202.0	201.0	28.0
OPA188AIDBVT	SOT-23	DBV	5	250	202.0	201.0	28.0
OPA188AIDGKR	VSSOP	DGK	8	2500	346.0	346.0	29.0
OPA188AIDGKT	VSSOP	DGK	8	250	202.0	201.0	28.0
OPA188AIDR	SOIC	D	8	2500	367.0	367.0	35.0



D0008A

# PACKAGE OUTLINE

SOIC - 1.75 mm max height

SMALL OUTLINE INTEGRATED CIRCUIT



4214825/C 02/2019

## NOTES:

- Linear dimensions are in inches [millimeters]. Dimensions in parenthesis are for reference only. Controlling dimensions are in inches. Dimensioning and tolerancing per ASME Y14.5M.
- This drawing is subject to change without notice.
- This dimension does not include mold flash, protrusions, or gate burrs. Mold flash, protrusions, or gate burrs shall not exceed  $.006$  [0.15] per side.
- This dimension does not include interlead flash.
- Reference JEDEC registration MS-012, variation AA.

# EXAMPLE BOARD LAYOUT

D0008A

SOIC - 1.75 mm max height

SMALL OUTLINE INTEGRATED CIRCUIT



LAND PATTERN EXAMPLE  
 EXPOSED METAL SHOWN  
 SCALE:8X



SOLDER MASK DETAILS

4214825/C 02/2019

NOTES: (continued)

- 6. Publication IPC-7351 may have alternate designs.
- 7. Solder mask tolerances between and around signal pads can vary based on board fabrication site.

# EXAMPLE STENCIL DESIGN

D0008A

SOIC - 1.75 mm max height

SMALL OUTLINE INTEGRATED CIRCUIT



SOLDER PASTE EXAMPLE  
BASED ON .005 INCH [0.125 MM] THICK STENCIL  
SCALE:8X

4214825/C 02/2019

NOTES: (continued)

8. Laser cutting apertures with trapezoidal walls and rounded corners may offer better paste release. IPC-7525 may have alternate design recommendations.
9. Board assembly site may have different recommendations for stencil design.



# EXAMPLE BOARD LAYOUT

DBV0005A

SOT-23 - 1.45 mm max height

SMALL OUTLINE TRANSISTOR



LAND PATTERN EXAMPLE  
EXPOSED METAL SHOWN  
SCALE:15X



SOLDER MASK DETAILS

4214839/D 11/2018

NOTES: (continued)

- 5. Publication IPC-7351 may have alternate designs.
- 6. Solder mask tolerances between and around signal pads can vary based on board fabrication site.

# EXAMPLE STENCIL DESIGN

DBV0005A

SOT-23 - 1.45 mm max height

SMALL OUTLINE TRANSISTOR



SOLDER PASTE EXAMPLE  
BASED ON 0.125 mm THICK STENCIL  
SCALE:15X

4214839/D 11/2018

NOTES: (continued)

7. Laser cutting apertures with trapezoidal walls and rounded corners may offer better paste release. IPC-7525 may have alternate design recommendations.
8. Board assembly site may have different recommendations for stencil design.





- NOTES:
- A. All linear dimensions are in millimeters.
  - B. This drawing is subject to change without notice.
  - C. Publication IPC-7351 is recommended for alternate designs.
  - D. Laser cutting apertures with trapezoidal walls and also rounding corners will offer better paste release. Customers should contact their board assembly site for stencil design recommendations. Refer to IPC-7525 for other stencil recommendations.
  - E. Customers should contact their board fabrication site for solder mask tolerances between and around signal pads.

## IMPORTANT NOTICE AND DISCLAIMER

TI PROVIDES TECHNICAL AND RELIABILITY DATA (INCLUDING DATASHEETS), DESIGN RESOURCES (INCLUDING REFERENCE DESIGNS), APPLICATION OR OTHER DESIGN ADVICE, WEB TOOLS, SAFETY INFORMATION, AND OTHER RESOURCES "AS IS" AND WITH ALL FAULTS, AND DISCLAIMS ALL WARRANTIES, EXPRESS AND IMPLIED, INCLUDING WITHOUT LIMITATION ANY IMPLIED WARRANTIES OF MERCHANTABILITY, FITNESS FOR A PARTICULAR PURPOSE OR NON-INFRINGEMENT OF THIRD PARTY INTELLECTUAL PROPERTY RIGHTS.

These resources are intended for skilled developers designing with TI products. You are solely responsible for (1) selecting the appropriate TI products for your application, (2) designing, validating and testing your application, and (3) ensuring your application meets applicable standards, and any other safety, security, or other requirements. These resources are subject to change without notice. TI grants you permission to use these resources only for development of an application that uses the TI products described in the resource. Other reproduction and display of these resources is prohibited. No license is granted to any other TI intellectual property right or to any third party intellectual property right. TI disclaims responsibility for, and you will fully indemnify TI and its representatives against, any claims, damages, costs, losses, and liabilities arising out of your use of these resources.

TI's products are provided subject to TI's Terms of Sale ([www.ti.com/legal/termsofsale.html](http://www.ti.com/legal/termsofsale.html)) or other applicable terms available either on [ti.com](http://ti.com) or provided in conjunction with such TI products. TI's provision of these resources does not expand or otherwise alter TI's applicable warranties or warranty disclaimers for TI products.

Mailing Address: Texas Instruments, Post Office Box 655303, Dallas, Texas 75265  
Copyright © 2019, Texas Instruments Incorporated

## Looking for pricing, stock, or lifecycle information?

Click below to explore more details on WIN SOURCE:

 [View OPA188AIDBVT on WIN SOURCE](#)

 [Texas Instruments](#) Information

## Optimize Your Supply Chain with WIN SOURCE Solutions

-  Global Sourcing Solution
-  Obsolete Management
-  Cost Control Management
-  Shortage Management
-  Alternative Solution
-  Excess Inventory Management