



THE DATASHEET OF OPT301M





OPT301

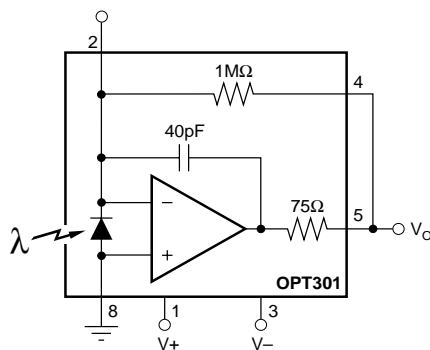
INTEGRATED PHOTODIODE AND AMPLIFIER

FEATURES

- **PHOTODIODE SIZE: 0.090 x 0.090 inch (2.29 x 2.29mm)**
- **1MΩ FEEDBACK RESISTOR**
- **HIGH RESPONSIVITY: 0.47A/W (650nm)**
- **IMPROVED UV RESPONSE**
- **LOW DARK ERRORS: 2mV**
- **BANDWIDTH: 4kHz**
- **WIDE SUPPLY RANGE: ±2.25 to ±18V**
- **LOW QUIESCENT CURRENT: 400μA**
- **HERMETIC TO-99**

APPLICATIONS

- **MEDICAL INSTRUMENTATION**
- **LABORATORY INSTRUMENTATION**
- **POSITION AND PROXIMITY SENSORS**
- **PHOTOGRAPHIC ANALYZERS**
- **SMOKE DETECTORS**

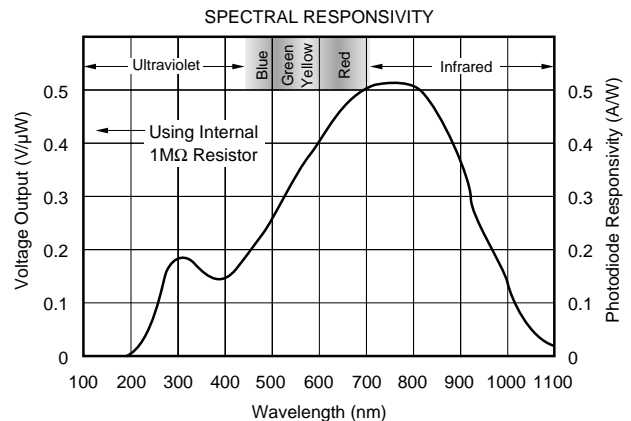


DESCRIPTION

The OPT301 is an opto-electronic integrated circuit containing a photodiode and transimpedance amplifier on a single dielectrically isolated chip. The transimpedance amplifier consists of a precision FET-input op amp and an on-chip metal film resistor. The 0.09 x 0.09 inch photodiode is operated at zero bias for excellent linearity and low dark current.

The integrated combination of photodiode and transimpedance amplifier on a single chip eliminates the problems commonly encountered in discrete designs such as leakage current errors, noise pick-up and gain peaking due to stray capacitance.

The OPT301 operates over a wide supply range (±2.25 to ±18V) and supply current is only 400μA. It is packaged in a hermetic TO-99 metal package with a glass window, and is specified for the -40°C to 85°C temperature range.



International Airport Industrial Park • Mailing Address: PO Box 11400, Tucson, AZ 85734 • Street Address: 6730 S. Tucson Blvd., Tucson, AZ 85706 • Tel: (520) 746-1111 • Twx: 910-952-1111
Internet: <http://www.burr-brown.com/> • FAXLine: (800) 548-6133 (US/Canada Only) • Cable: BBRCORP • Telex: 066-6491 • FAX: (520) 889-1510 • Immediate Product Info: (800) 548-6132

SPECIFICATIONS

ELECTRICAL

At $T_A = +25^\circ\text{C}$, $V_S = \pm 15\text{V}$, $\lambda = 650\text{nm}$, internal $1\text{M}\Omega$ feedback resistor, unless otherwise noted.

PARAMETER	CONDITIONS	OPT301M			UNITS
		MIN	TYP	MAX	
RESPONSIVITY Photodiode Current Voltage Output vs Temperature Unit-to-Unit Variation Nonlinearity ⁽¹⁾ Photodiode Area	650nm 650nm 650nm FS Output = 10V (0.090 x 0.090in) (2.29 x 2.29mm)		0.47 0.47 200 ± 5 0.01 0.008 5.2		A/W V/ μW ppm/ $^\circ\text{C}$ % % of FS in ² mm ²
DARK ERRORS, RTO⁽²⁾ Offset Voltage, Output vs Temperature vs Power Supply Voltage Noise	$V_S = \pm 2.25\text{V}$ to $\pm 18\text{V}$ Measured BW = 0.1 to 100kHz		± 0.5 ± 10 10 160	± 2 100	mV $\mu\text{V}/^\circ\text{C}$ $\mu\text{V}/\text{V}$ $\mu\text{V}/\text{rms}$
RESISTOR—1MΩ Internal Resistance Tolerance vs Temperature			1 ± 0.5 50	± 2	M Ω % ppm/ $^\circ\text{C}$
FREQUENCY RESPONSE Bandwidth, Large or Small-Signal, -3dB Rise Time, 10% to 90% Settling Time, 1% 0.1% 0.01% Overload Recovery Time	FS to Dark FS to Dark FS to Dark 100% overdrive, $V_S = \pm 15\text{V}$ 100% overdrive, $V_S = \pm 5\text{V}$ 100% overdrive, $V_S = \pm 2.25\text{V}$		4 90 240 350 900 240 500 1000		kHz μs μs μs μs μs μs μs
OUTPUT Voltage Output Capacitive Load, Stable Operation Short-Circuit Current	$R_L = 10\text{k}\Omega$ $R_L = 5\text{k}\Omega$	(V+) - 1.25 (V+) - 2	(V+) - 0.65 (V+) - 1 10 ± 18		V V nF mA
POWER SUPPLY Specified Operating Voltage Operating Voltage Range Quiescent Current	$I_O = 0$	± 2.25	± 15 ± 0.4	± 18 ± 0.5	V V mA
TEMPERATURE RANGE Specification Operating/Storage Thermal Resistance, θ_{JA}		-40 -55		+85 +125	$^\circ\text{C}$ $^\circ\text{C}$ $^\circ\text{C}/\text{W}$

NOTES: (1) Deviation in percent of full scale from best-fit straight line. (2) Referred to Output. Includes all error sources.

PHOTODIODE SPECIFICATIONS

At $T_A = +25^\circ\text{C}$, unless otherwise noted.

PARAMETER	CONDITIONS	Photodiode of OPT301			UNITS
		MIN	TYP	MAX	
Photodiode Area	(0.090 x 0.090in) (2.29 x 2.29mm)		0.008 5.1		in ² mm ²
Current Responsivity	650nm		0.47		A/W
Dark Current vs Temperature	$V_D = 0\text{V}^{(1)}$		500 doubles every 10°C		fA
Capacitance	$V_D = 0\text{V}^{(1)}$		4000		pF

NOTE: (1) Voltage Across Photodiode.

SPECIFICATIONS (CONT)

ELECTRICAL

Op Amp Section of OPT301⁽¹⁾

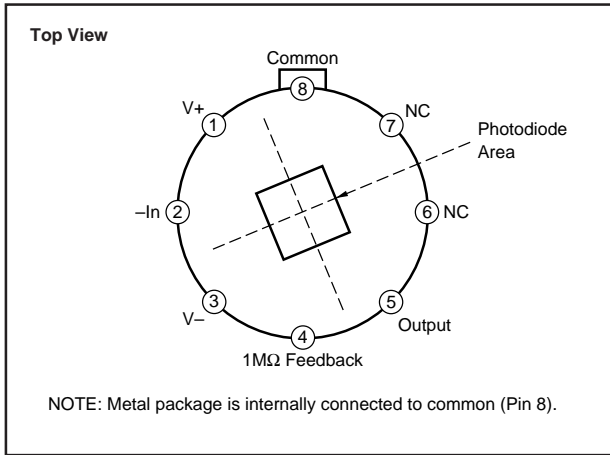
At $T_A = +25^\circ\text{C}$, $V_S = \pm 15\text{V}$, unless otherwise noted.

PARAMETER	CONDITIONS	OPT301 Op Amp			UNITS
		MIN	TYP	MAX	
INPUT Offset Voltage vs Temperature vs Power Supply Input Bias Current vs Temperature	$V_S = \pm 2.25\text{V to } \pm 18\text{V}$		± 0.5 ± 5 10 1 doubles every 10°C		mV $\mu\text{V}/^\circ\text{C}$ $\mu\text{V}/\text{V}$ pA
NOISE Input Voltage Noise Voltage Noise Density, $f=10\text{Hz}$ $f=100\text{Hz}$ $f=1\text{kHz}$ Current Noise Density, $f=1\text{kHz}$				30 25 15 0.8	
INPUT VOLTAGE RANGE Common-Mode Input Range Common-Mode Rejection			± 14.4 106		V dB
INPUT IMPEDANCE Differential Common-Mode			$10^{12} 3$ $10^{12} 3$		ΩpF ΩpF
OPEN-LOOP GAIN Open-Loop Voltage Gain			120		dB
FREQUENCY RESPONSE Gain-Bandwidth Product Slew Rate Settling Time 0.1% 0.01%			380 0.5 4 5		kHz $\text{V}/\mu\text{s}$ μs μs
OUTPUT Voltage Output Short-Circuit Current	$R_L = 10\text{k}\Omega$ $R_L = 5\text{k}\Omega$	$(V+) - 1.25$ $(V+) - 2$	$(V+) - 0.65$ $(V+) - 1$ ± 18		V V mA
POWER SUPPLY Specified Operating Voltage Operating Voltage Range Quiescent Current	$I_O = 0$	± 2.25	± 15 ± 0.4	± 18 ± 0.5	V V mA

NOTE: (1) Op amp specifications provided for information and comparison only.

The information provided herein is believed to be reliable; however, BURR-BROWN assumes no responsibility for inaccuracies or omissions. BURR-BROWN assumes no responsibility for the use of this information, and all use of such information shall be entirely at the user's own risk. Prices and specifications are subject to change without notice. No patent rights or licenses to any of the circuits described herein are implied or granted to any third party. BURR-BROWN does not authorize or warrant any BURR-BROWN product for use in life support devices and/or systems.

PIN CONFIGURATION



ABSOLUTE MAXIMUM RATINGS

Supply Voltage	$\pm 18V$
Input Voltage Range (Common Pin)	$\pm V_S$
Output Short-Circuit (to ground)	Continuous
Operating Temperature	$-55^{\circ}C$ to $+125^{\circ}C$
Storage Temperature	$-55^{\circ}C$ to $+125^{\circ}C$
Junction Temperature	$+125^{\circ}C$
Lead Temperature (soldering, 10s)	$+300^{\circ}C$



ELECTROSTATIC DISCHARGE SENSITIVITY

This integrated circuit can be damaged by ESD. Burr-Brown recommends that all integrated circuits be handled with appropriate precautions. Failure to observe proper handling and installation procedures can cause damage.

ESD damage can range from subtle performance degradation to complete device failure. Precision integrated circuits may be more susceptible to damage because very small parametric changes could cause the device not to meet its published specifications.

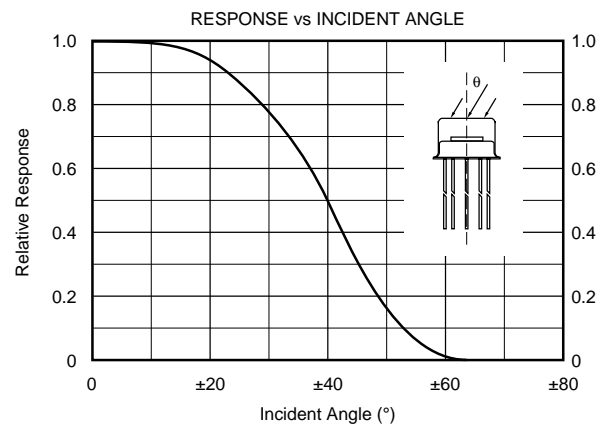
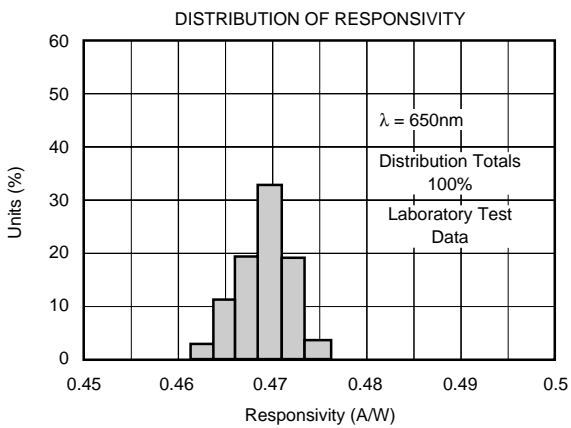
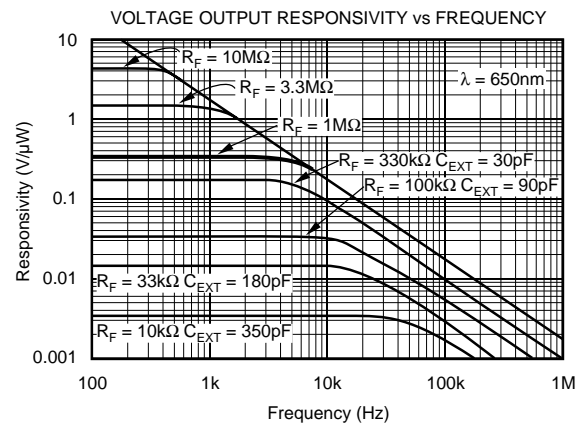
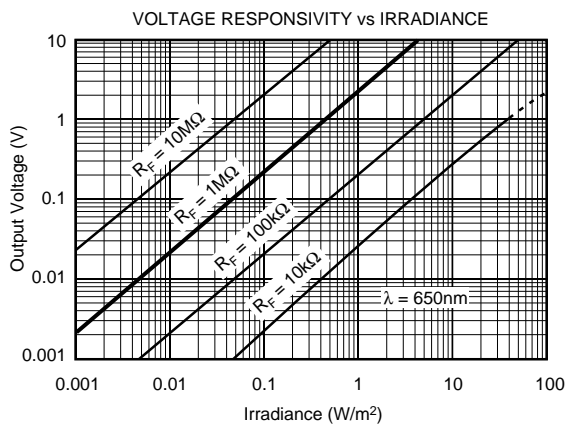
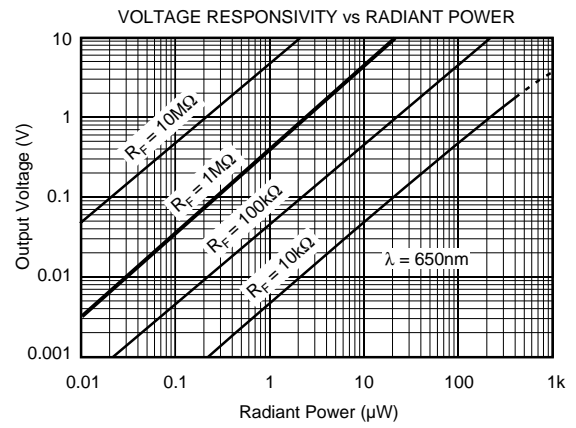
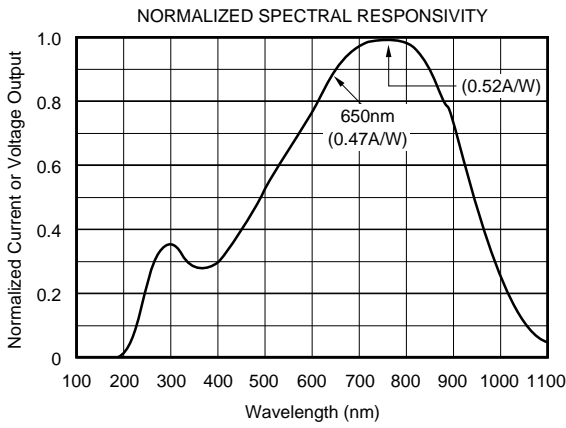
PACKAGE INFORMATION

PRODUCT	PACKAGE	PACKAGE DRAWING NUMBER ⁽¹⁾
OPT301M	8-Pin TO-99	001-1

NOTE: (1) For detailed drawing and dimension table, please see end of data sheet, or Appendix C of Burr-Brown IC Data Book.

TYPICAL PERFORMANCE CURVES

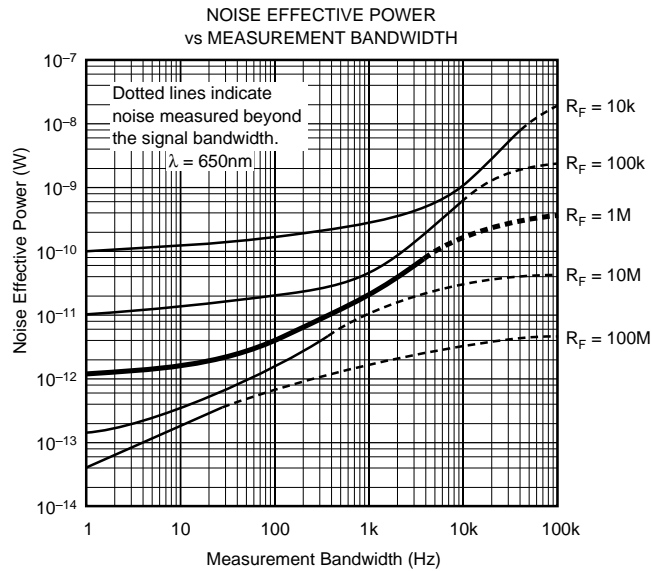
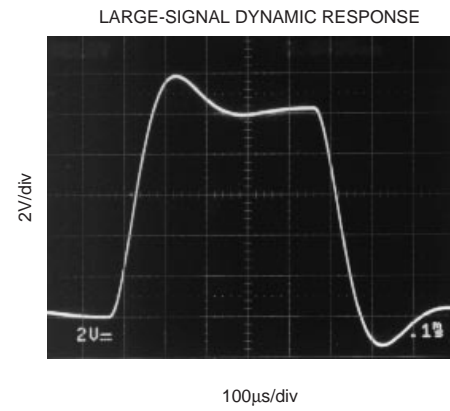
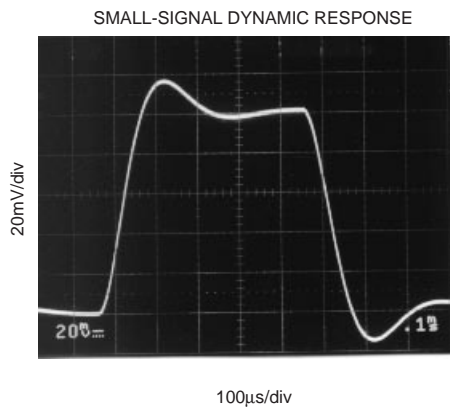
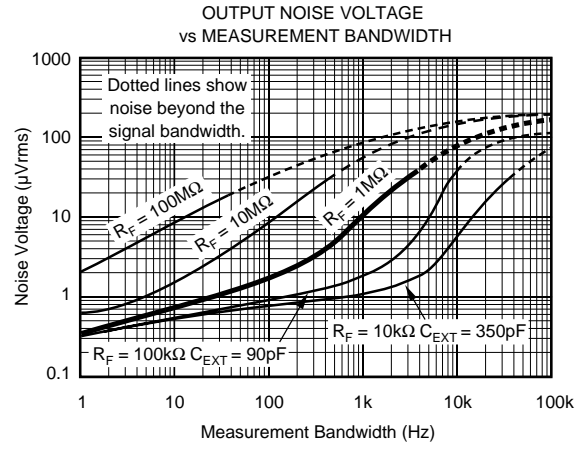
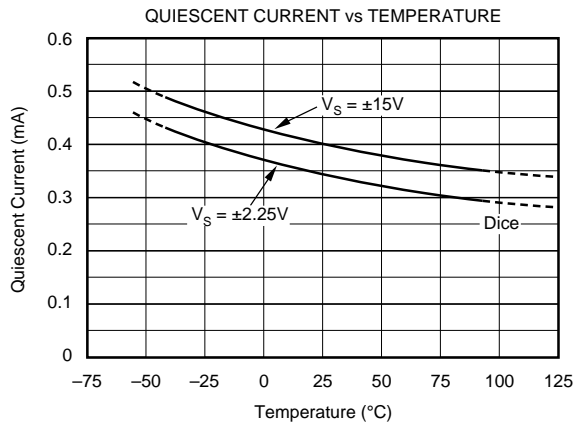
At $T_A = +25^\circ\text{C}$, $V_S = \pm 15\text{V}$, $\lambda = 650\text{nm}$, unless otherwise noted.



6

TYPICAL PERFORMANCE CURVES

At $T_A = +25^\circ\text{C}$, $V_S = \pm 15\text{V}$, $\lambda = 650\text{nm}$, unless otherwise noted.



APPLICATIONS INFORMATION

Figure 1 shows the basic connections required to operate the OPT301. Applications with high-impedance power supplies may require decoupling capacitors located close to the device pins as shown. Output is zero volts with no light and increases with increasing illumination.

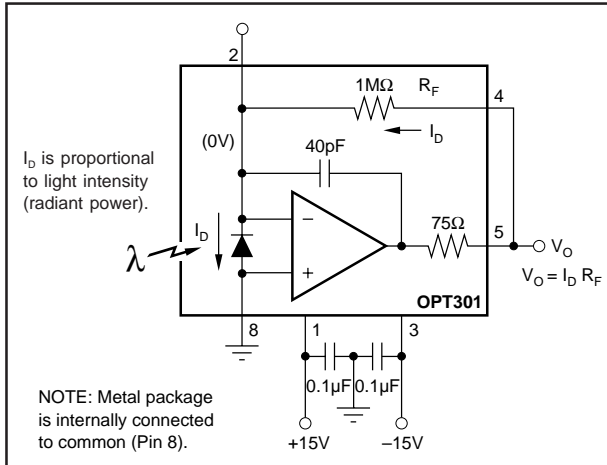


FIGURE 1. Basic Circuit Connections.

Photodiode current, I_D , is proportional to the radiant power or flux (in watts) falling on the photodiode. At a wavelength of 650nm (visible red) the photodiode Responsivity, R_P , is approximately 0.45A/W. Responsivity at other wavelengths is shown in the typical performance curve “Responsivity vs Wavelength.”

The typical performance curve “Output Voltage vs Radiant Power” shows the response throughout a wide range of radiant power. The response curve “Output Voltage vs Irradiance” is based on the photodiode area of $5.23 \times 10^{-6} \text{m}^2$.

The OPT301’s voltage output is the product of the photodiode current times the feedback resistor, ($I_D R_F$). The internal feedback resistor is laser trimmed to $1\text{M}\Omega \pm 2\%$. Using this resistor, the output voltage responsivity, R_V , is approximately $0.45\text{V}/\mu\text{W}$ at 650nm wavelength.

An external resistor can be used to set a different voltage responsivity. For values of R_F less than $1\text{M}\Omega$, an external capacitor, C_{EXT} , should be connected in parallel with R_F (see Figure 2). This capacitor eliminates gain peaking and prevents instability. The value of C_{EXT} can be read from the table in Figure 2.

LIGHT SOURCE POSITIONING

The OPT301 is 100% tested with a light source that uniformly illuminates the full area of the integrated circuit, including the op amp. Although all IC amplifiers are light-sensitive to some degree, the OPT301 op amp circuitry is designed to minimize this effect. Sensitive junctions are shielded with metal, and differential stages are cross-coupled. Furthermore, the photodiode area is very large relative to the op amp input circuitry making these effects negligible.

If your light source is focused to a small area, be sure that it is properly aimed to fall on the photodiode. If a narrowly focused light source were to miss the photodiode area and fall only on the op amp circuitry, the OPT301 would not perform properly. The large (0.090 x 0.090 inch) photodiode area allows easy positioning of narrowly focused light sources. The photodiode area is easily visible—it appears very dark compared to the surrounding active circuitry.

The incident angle of the light source also affects the apparent sensitivity in uniform irradiance. For small incident angles, the loss in sensitivity is simply due to the smaller effective light gathering area of the photodiode (proportional to the cosine of the angle). At a greater incident angle, light is reflected and scattered by the side of the package. These effects are shown in the typical performance curve “Response vs Incident Angle.”

DARK ERRORS

The dark errors in the specification table include all sources. The dominant error source is the input offset voltage of the op amp. Photodiode dark current and input bias current of the op amp are approximately 2pA and contribute virtually no offset error at room temperature. Dark current and input bias current double for each 10°C above 25°C . At 70°C , the error current can be approximately 100pA. This would produce a 1mV offset with $R_F = 10\text{M}\Omega$. The OPT301 is useful with feedback resistors of $100\text{M}\Omega$ or greater at room temperature. The dark output voltage can be trimmed to zero with the optional circuit shown in Figure 3.

6

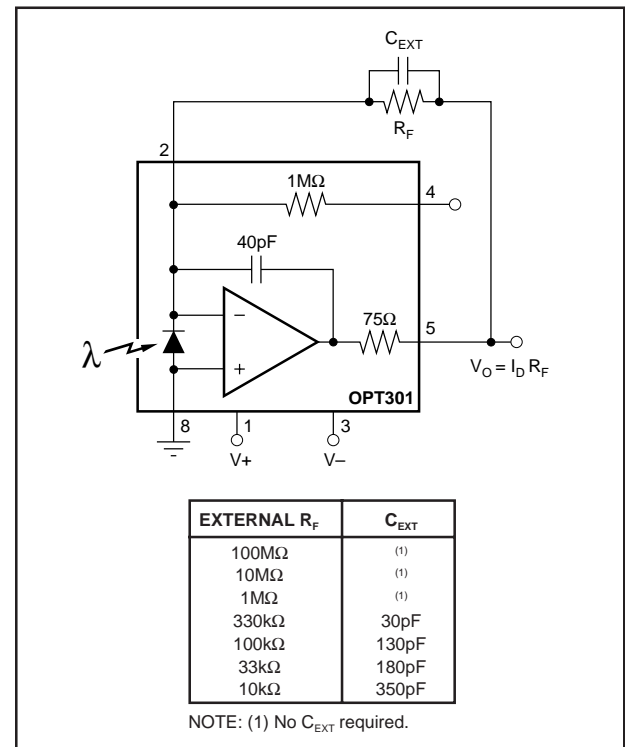


FIGURE 2. Using External Feedback Resistor.

When used with very large feedback resistors, tiny leakage currents on the circuit board can degrade the performance of the OPT301. Careful circuit board design and clean assembly procedures will help achieve best performance. A “guard trace” on the circuit board can help minimize leakage to the critical non-inverting input (pin 2). This guard ring should encircle pin 2 and connect to Common, pin 8.

DYNAMIC RESPONSE

Using the internal 1MΩ resistor, the dynamic response of the photodiode/op amp combination can be modeled as a simple R/C circuit with a -3dB cutoff frequency of 4kHz. This yields a rise time of approximately 90μs (10% to 90%). Dynamic response is not limited by op amp slew rate. This is demonstrated by the dynamic response oscilloscope photographs showing virtually identical large-signal and small-signal response.

Dynamic response will vary with feedback resistor value as shown in the typical performance curve “Voltage Output Responsivity vs Frequency.” Rise time (10% to 90%) will vary according to the -3dB bandwidth produced by a given feedback resistor value—

$$t_R \approx \frac{0.35}{f_C} \quad (1)$$

where:

- t_R is the rise time (10% to 90%)
- f_C is the -3dB bandwidth

LINEARITY PERFORMANCE

Current output of the photodiode is very linear with radiant power throughout a wide range. Nonlinearity remains below

approximately 0.02% up to 100μA photodiode current. The photodiode can produce output currents of 1mA or greater with high radiant power, but nonlinearity increases to several percent in this region.

This excellent linearity at high radiant power assumes that the full photodiode area is uniformly illuminated. If the light source is focused to a small area of the photodiode, nonlinearity will occur at lower radiant power.

NOISE PERFORMANCE

Noise performance of the OPT301 is determined by the op amp characteristics in conjunction with the feedback components and photodiode capacitance. The typical performance curve “Output Noise Voltage vs Measurement Bandwidth” shows how the noise varies with R_F and measured bandwidth (1Hz to the indicated frequency). The signal bandwidth of the OPT301 is indicated on the curves. Noise can be reduced by filtering the output with a cutoff frequency equal to the signal bandwidth.

Output noise increases in proportion to the square-root of the feedback resistance, while responsivity increases linearly with feedback resistance. So best signal-to-noise ratio is achieved with large feedback resistance. This comes with the trade-off of decreased bandwidth.

The noise performance of a photodetector is sometimes characterized by Noise Effective Power (NEP). This is the radiant power which would produce an output signal equal to the noise level. NEP has the units of radiant power (watts). The typical performance curve “Noise Effective Power vs Measurement Bandwidth” shows how NEP varies with R_F and measurement bandwidth.

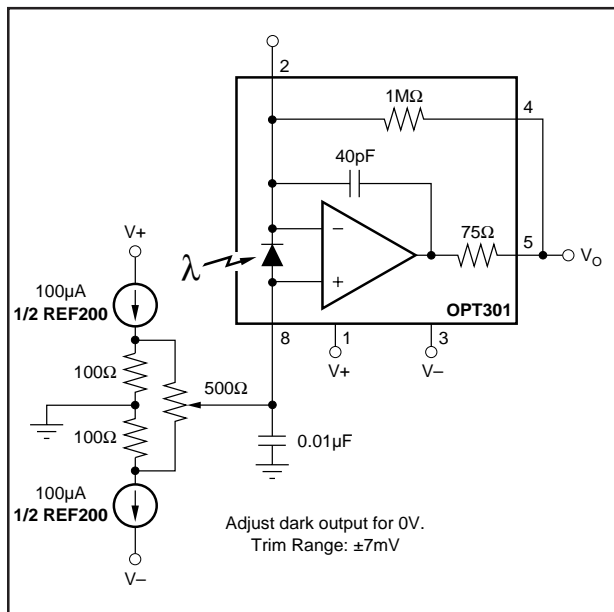


FIGURE 3. Dark Error (Offset) Adjustment Circuit.

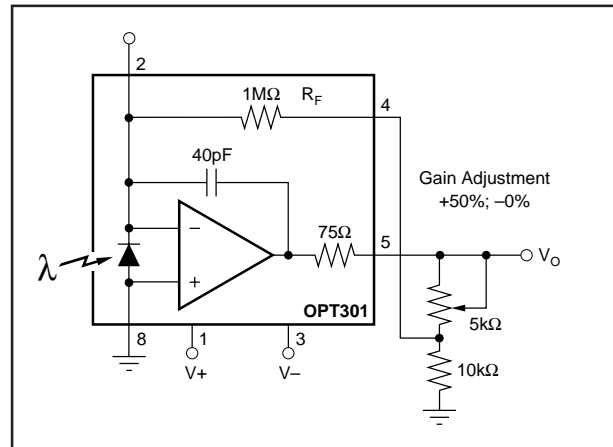


FIGURE 4. Responsivity (Gain) Adjustment Circuit.

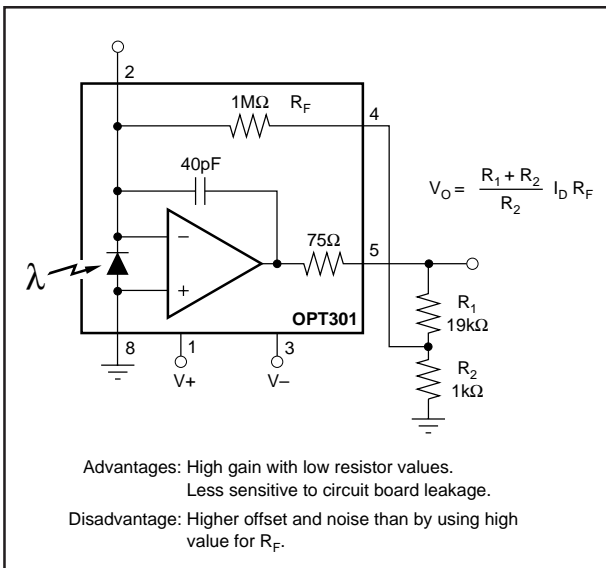


FIGURE 5. "T" Feedback Network.

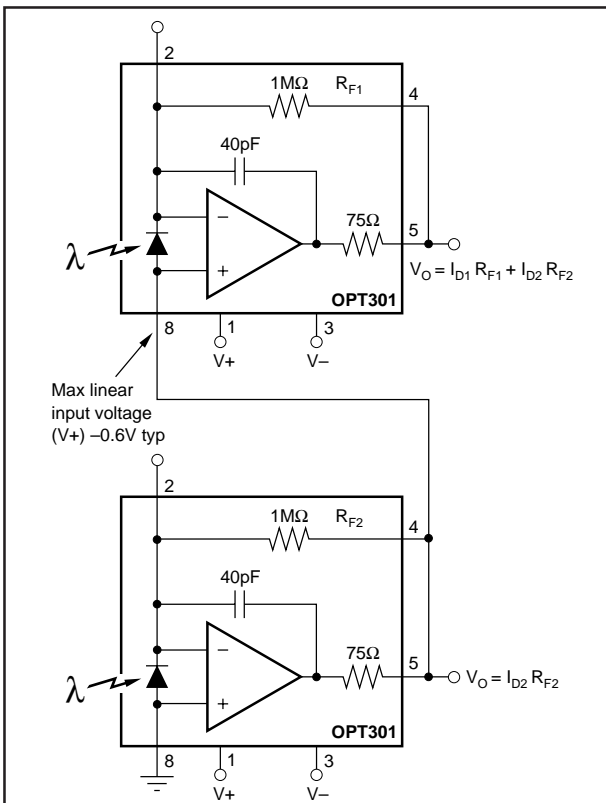


FIGURE 6. Summing Output of Two OPT301s.

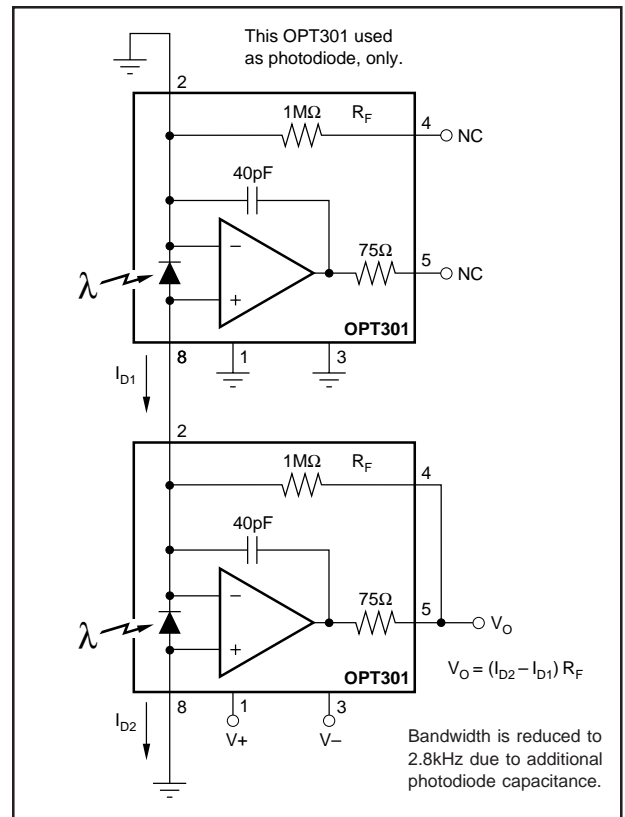


FIGURE 7. Differential Light Measurement.

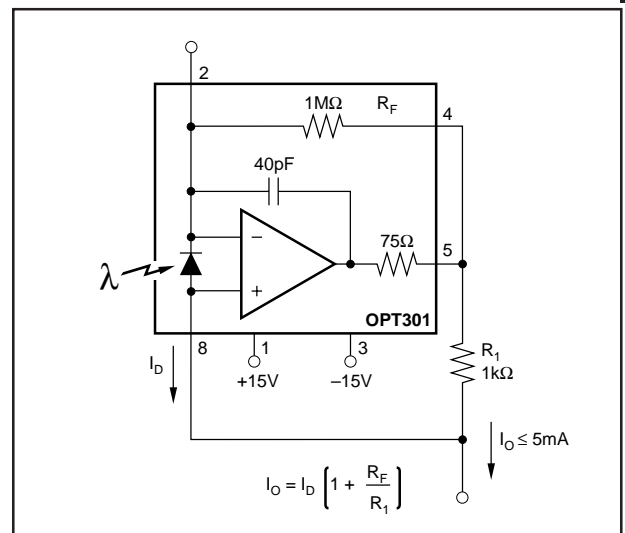


FIGURE 8. Current Output Circuit.

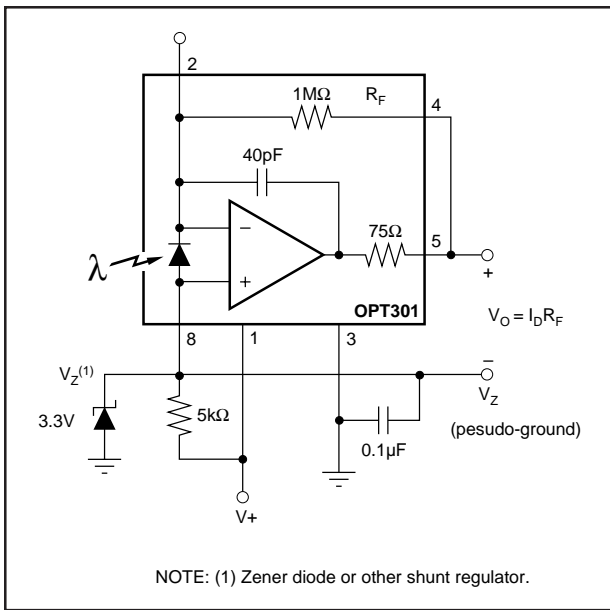


FIGURE 9. Single Power Supply Operation.

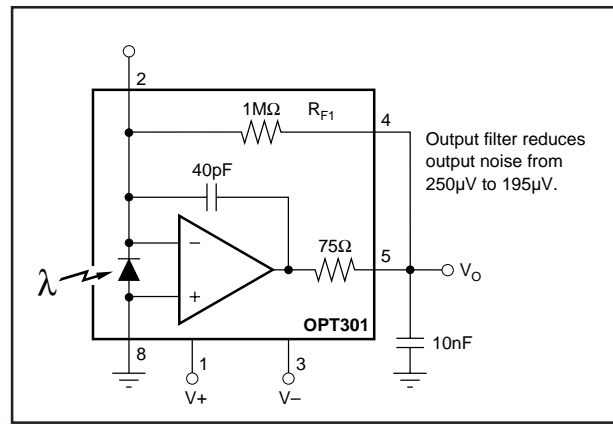


FIGURE 10. Output Filter to Reduce Noise.

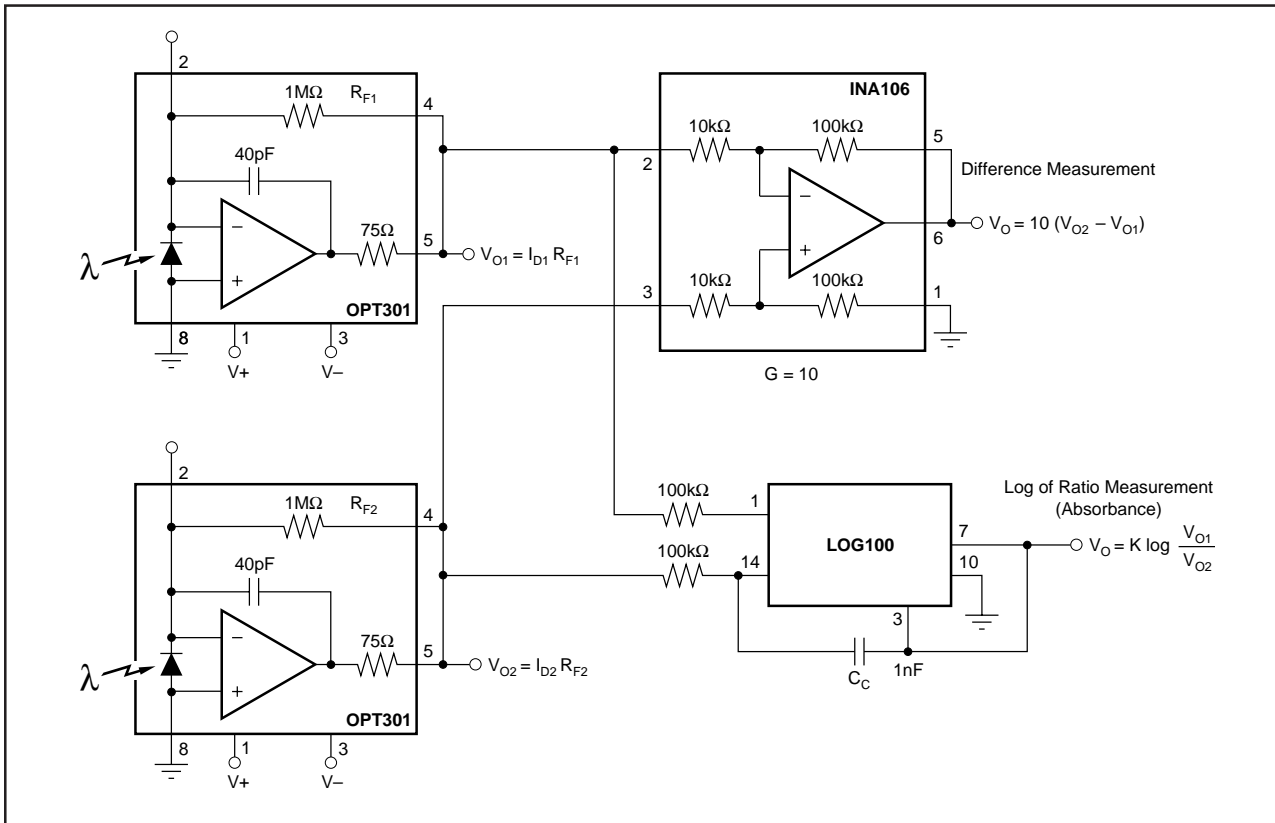


FIGURE 11. Differential Light Measurement.

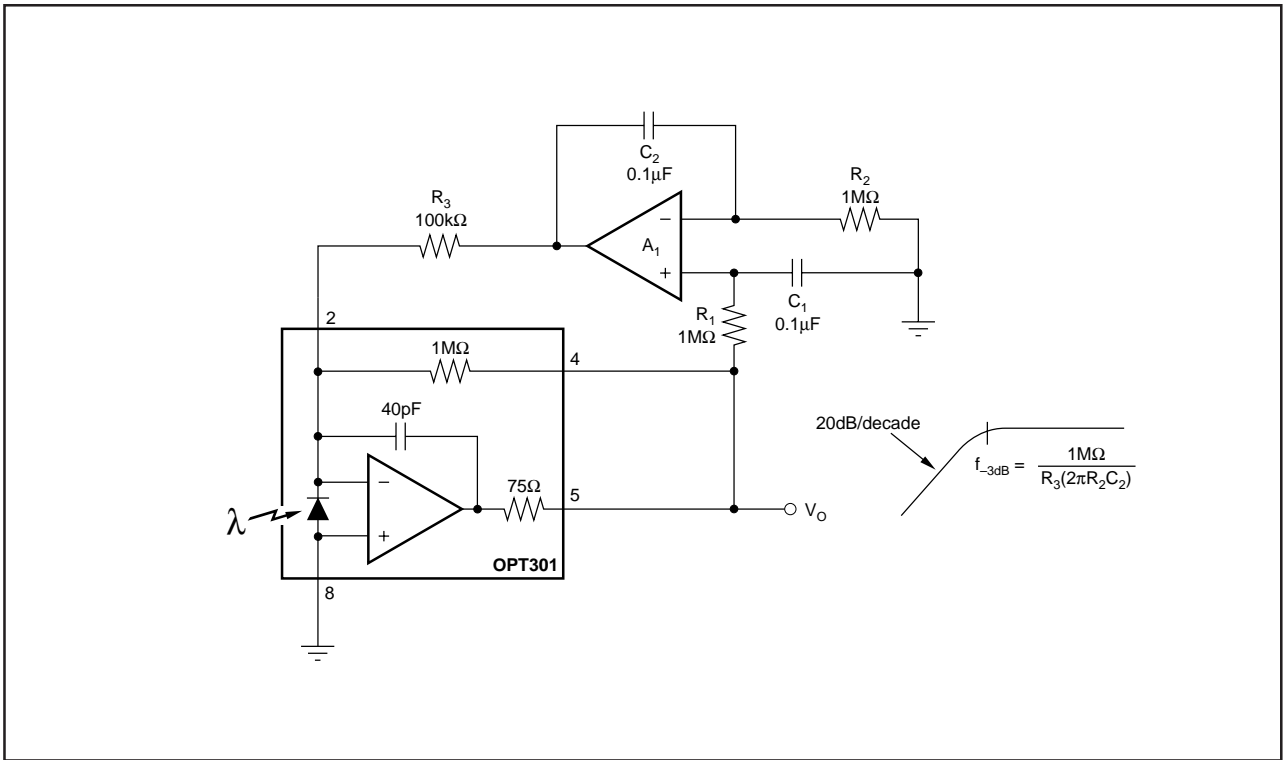


FIGURE 12. DC Restoration Rejects Unwanted Steady-State Background Light.

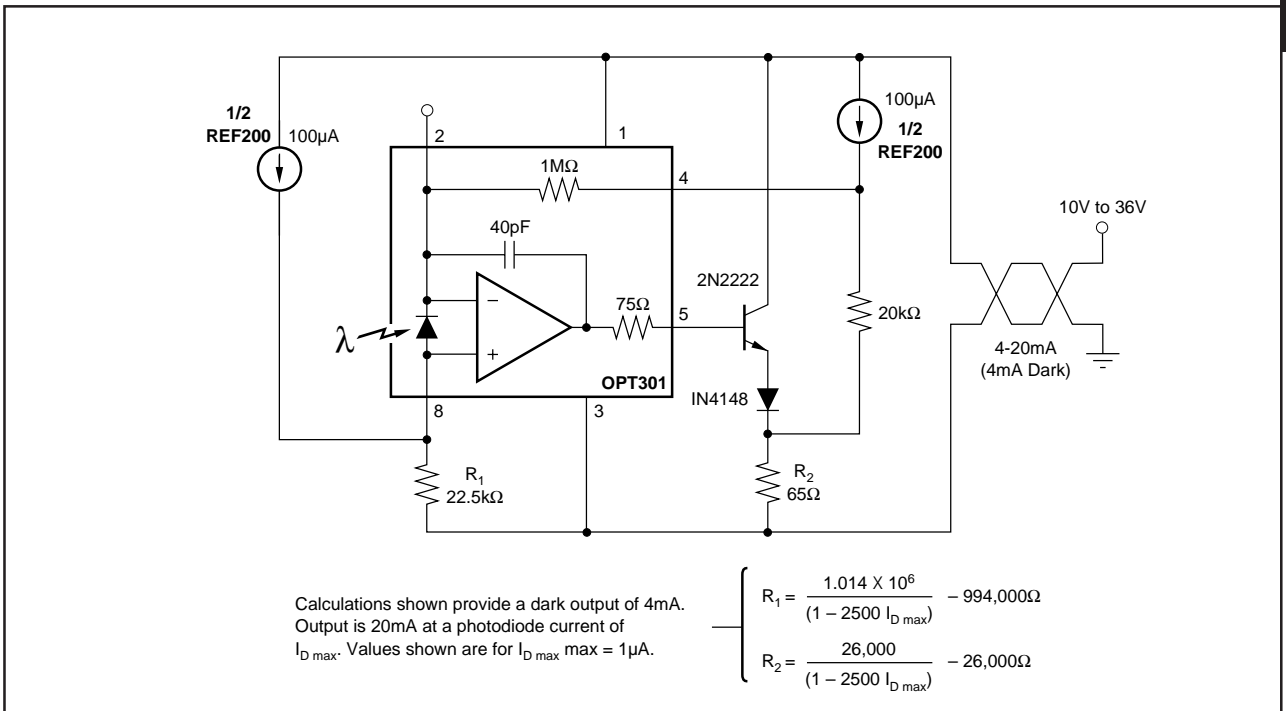


FIGURE 13. 4-20mA Current-Loop Transmitter.

PACKAGING INFORMATION

Orderable Device	Status (1)	Package Type	Package Drawing	Pins	Package Qty	Eco Plan (2)	Lead/Ball Finish (6)	MSL Peak Temp (3)	Op Temp (°C)	Device Marking (4/5)	Samples
OPT301M	ACTIVE	TO	LMD	8	20	Green (RoHS & no Sb/Br)	AU	N / A for Pkg Type	-55 to 125	OPT301M	Samples

(1) The marketing status values are defined as follows:

ACTIVE: Product device recommended for new designs.

LIFEBUY: TI has announced that the device will be discontinued, and a lifetime-buy period is in effect.

NRND: Not recommended for new designs. Device is in production to support existing customers, but TI does not recommend using this part in a new design.

PREVIEW: Device has been announced but is not in production. Samples may or may not be available.

OBSELETE: TI has discontinued the production of the device.

(2) **RoHS:** TI defines "RoHS" to mean semiconductor products that are compliant with the current EU RoHS requirements for all 10 RoHS substances, including the requirement that RoHS substance do not exceed 0.1% by weight in homogeneous materials. Where designed to be soldered at high temperatures, "RoHS" products are suitable for use in specified lead-free processes. TI may reference these types of products as "Pb-Free".

RoHS Exempt: TI defines "RoHS Exempt" to mean products that contain lead but are compliant with EU RoHS pursuant to a specific EU RoHS exemption.

Green: TI defines "Green" to mean the content of Chlorine (Cl) and Bromine (Br) based flame retardants meet JS709B low halogen requirements of <=1000ppm threshold. Antimony trioxide based flame retardants must also meet the <=1000ppm threshold requirement.

(3) MSL, Peak Temp. - The Moisture Sensitivity Level rating according to the JEDEC industry standard classifications, and peak solder temperature.

(4) There may be additional marking, which relates to the logo, the lot trace code information, or the environmental category on the device.

(5) Multiple Device Markings will be inside parentheses. Only one Device Marking contained in parentheses and separated by a "~" will appear on a device. If a line is indented then it is a continuation of the previous line and the two combined represent the entire Device Marking for that device.

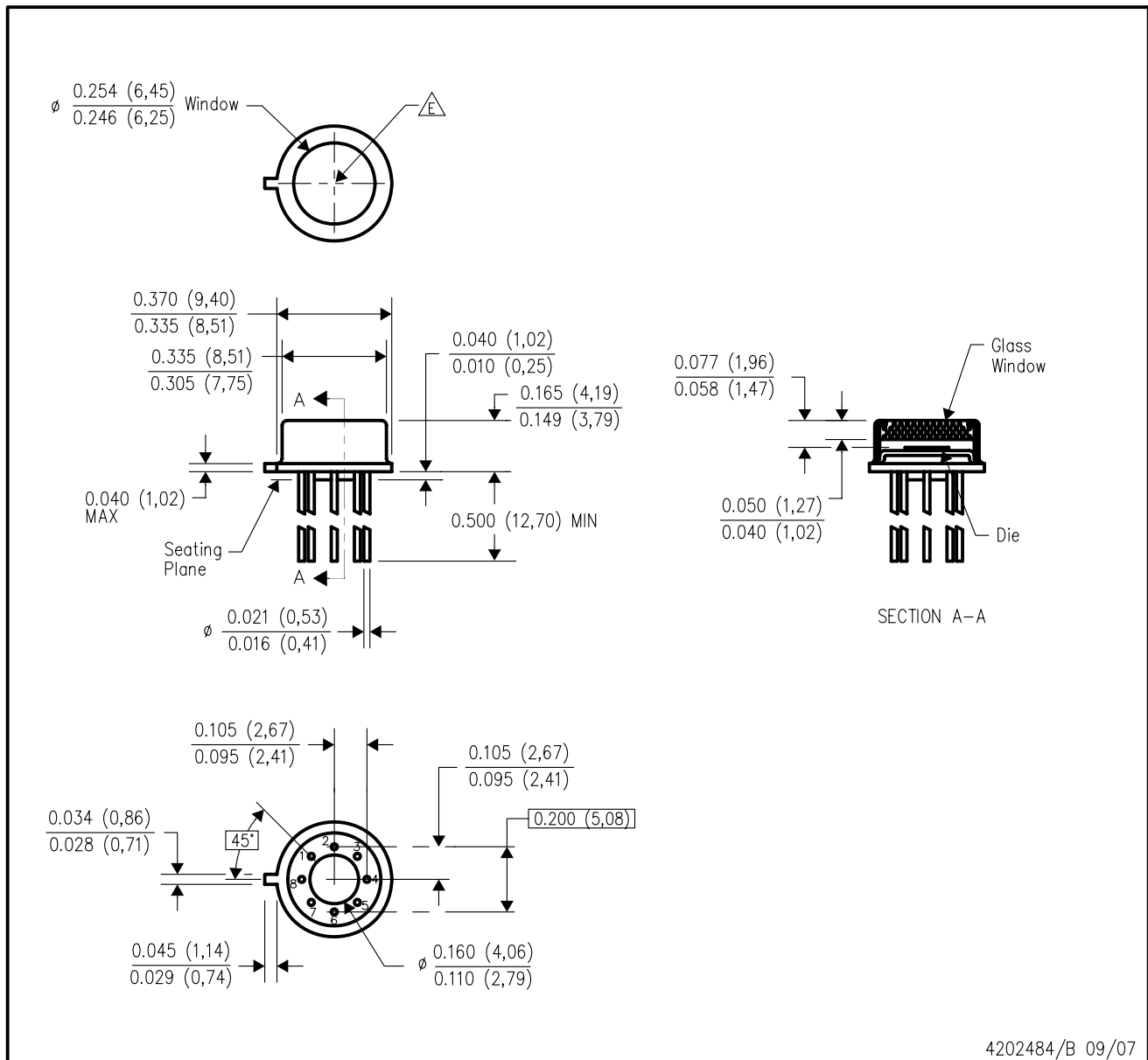
(6) Lead/Ball Finish - Orderable Devices may have multiple material finish options. Finish options are separated by a vertical ruled line. Lead/Ball Finish values may wrap to two lines if the finish value exceeds the maximum column width.

Important Information and Disclaimer:The information provided on this page represents TI's knowledge and belief as of the date that it is provided. TI bases its knowledge and belief on information provided by third parties, and makes no representation or warranty as to the accuracy of such information. Efforts are underway to better integrate information from third parties. TI has taken and continues to take reasonable steps to provide representative and accurate information but may not have conducted destructive testing or chemical analysis on incoming materials and chemicals. TI and TI suppliers consider certain information to be proprietary, and thus CAS numbers and other limited information may not be available for release.

In no event shall TI's liability arising out of such information exceed the total purchase price of the TI part(s) at issue in this document sold by TI to Customer on an annual basis.

LMD (O-MBCY-W8)

METAL CYLINDRICAL PACKAGE



4202484/B 09/07

- NOTES:
- A. All linear dimensions are in inches (millimeters).
 - B. This drawing is subject to change without notice.
 - C. Leads in true position within 0.010 (0,25) R @ MMC at seating plane.
 - D. Pin numbers shown for reference only. Numbers may not be marked on package.
 - $\triangle E$ Die may be rotated with respect to indicated axis.

IMPORTANT NOTICE

Texas Instruments Incorporated (TI) reserves the right to make corrections, enhancements, improvements and other changes to its semiconductor products and services per JESD46, latest issue, and to discontinue any product or service per JESD48, latest issue. Buyers should obtain the latest relevant information before placing orders and should verify that such information is current and complete.

TI's published terms of sale for semiconductor products (<http://www.ti.com/sc/docs/stdterms.htm>) apply to the sale of packaged integrated circuit products that TI has qualified and released to market. Additional terms may apply to the use or sale of other types of TI products and services.

Reproduction of significant portions of TI information in TI data sheets is permissible only if reproduction is without alteration and is accompanied by all associated warranties, conditions, limitations, and notices. TI is not responsible or liable for such reproduced documentation. Information of third parties may be subject to additional restrictions. Resale of TI products or services with statements different from or beyond the parameters stated by TI for that product or service voids all express and any implied warranties for the associated TI product or service and is an unfair and deceptive business practice. TI is not responsible or liable for any such statements.

Buyers and others who are developing systems that incorporate TI products (collectively, "Designers") understand and agree that Designers remain responsible for using their independent analysis, evaluation and judgment in designing their applications and that Designers have full and exclusive responsibility to assure the safety of Designers' applications and compliance of their applications (and of all TI products used in or for Designers' applications) with all applicable regulations, laws and other applicable requirements. Designer represents that, with respect to their applications, Designer has all the necessary expertise to create and implement safeguards that (1) anticipate dangerous consequences of failures, (2) monitor failures and their consequences, and (3) lessen the likelihood of failures that might cause harm and take appropriate actions. Designer agrees that prior to using or distributing any applications that include TI products, Designer will thoroughly test such applications and the functionality of such TI products as used in such applications.

TI's provision of technical, application or other design advice, quality characterization, reliability data or other services or information, including, but not limited to, reference designs and materials relating to evaluation modules, (collectively, "TI Resources") are intended to assist designers who are developing applications that incorporate TI products; by downloading, accessing or using TI Resources in any way, Designer (individually or, if Designer is acting on behalf of a company, Designer's company) agrees to use any particular TI Resource solely for this purpose and subject to the terms of this Notice.

TI's provision of TI Resources does not expand or otherwise alter TI's applicable published warranties or warranty disclaimers for TI products, and no additional obligations or liabilities arise from TI providing such TI Resources. TI reserves the right to make corrections, enhancements, improvements and other changes to its TI Resources. TI has not conducted any testing other than that specifically described in the published documentation for a particular TI Resource.

Designer is authorized to use, copy and modify any individual TI Resource only in connection with the development of applications that include the TI product(s) identified in such TI Resource. NO OTHER LICENSE, EXPRESS OR IMPLIED, BY ESTOPPEL OR OTHERWISE TO ANY OTHER TI INTELLECTUAL PROPERTY RIGHT, AND NO LICENSE TO ANY TECHNOLOGY OR INTELLECTUAL PROPERTY RIGHT OF TI OR ANY THIRD PARTY IS GRANTED HEREIN, including but not limited to any patent right, copyright, mask work right, or other intellectual property right relating to any combination, machine, or process in which TI products or services are used. Information regarding or referencing third-party products or services does not constitute a license to use such products or services, or a warranty or endorsement thereof. Use of TI Resources may require a license from a third party under the patents or other intellectual property of the third party, or a license from TI under the patents or other intellectual property of TI.

TI RESOURCES ARE PROVIDED "AS IS" AND WITH ALL FAULTS. TI DISCLAIMS ALL OTHER WARRANTIES OR REPRESENTATIONS, EXPRESS OR IMPLIED, REGARDING RESOURCES OR USE THEREOF, INCLUDING BUT NOT LIMITED TO ACCURACY OR COMPLETENESS, TITLE, ANY EPIDEMIC FAILURE WARRANTY AND ANY IMPLIED WARRANTIES OF MERCHANTABILITY, FITNESS FOR A PARTICULAR PURPOSE, AND NON-INFRINGEMENT OF ANY THIRD PARTY INTELLECTUAL PROPERTY RIGHTS. TI SHALL NOT BE LIABLE FOR AND SHALL NOT DEFEND OR INDEMNIFY DESIGNER AGAINST ANY CLAIM, INCLUDING BUT NOT LIMITED TO ANY INFRINGEMENT CLAIM THAT RELATES TO OR IS BASED ON ANY COMBINATION OF PRODUCTS EVEN IF DESCRIBED IN TI RESOURCES OR OTHERWISE. IN NO EVENT SHALL TI BE LIABLE FOR ANY ACTUAL, DIRECT, SPECIAL, COLLATERAL, INDIRECT, PUNITIVE, INCIDENTAL, CONSEQUENTIAL OR EXEMPLARY DAMAGES IN CONNECTION WITH OR ARISING OUT OF TI RESOURCES OR USE THEREOF, AND REGARDLESS OF WHETHER TI HAS BEEN ADVISED OF THE POSSIBILITY OF SUCH DAMAGES.

Unless TI has explicitly designated an individual product as meeting the requirements of a particular industry standard (e.g., ISO/TS 16949 and ISO 26262), TI is not responsible for any failure to meet such industry standard requirements.

Where TI specifically promotes products as facilitating functional safety or as compliant with industry functional safety standards, such products are intended to help enable customers to design and create their own applications that meet applicable functional safety standards and requirements. Using products in an application does not by itself establish any safety features in the application. Designers must ensure compliance with safety-related requirements and standards applicable to their applications. Designer may not use any TI products in life-critical medical equipment unless authorized officers of the parties have executed a special contract specifically governing such use. Life-critical medical equipment is medical equipment where failure of such equipment would cause serious bodily injury or death (e.g., life support, pacemakers, defibrillators, heart pumps, neurostimulators, and implantables). Such equipment includes, without limitation, all medical devices identified by the U.S. Food and Drug Administration as Class III devices and equivalent classifications outside the U.S.

TI may expressly designate certain products as completing a particular qualification (e.g., Q100, Military Grade, or Enhanced Product). Designers agree that it has the necessary expertise to select the product with the appropriate qualification designation for their applications and that proper product selection is at Designers' own risk. Designers are solely responsible for compliance with all legal and regulatory requirements in connection with such selection.

Designer will fully indemnify TI and its representatives against any damages, costs, losses, and/or liabilities arising out of Designer's non-compliance with the terms and provisions of this Notice.

Looking for pricing, stock, or lifecycle information?

Click below to explore more details on WIN SOURCE:

 [View OPT301M on WIN SOURCE](#)

 [Texas Instruments](#) Information

Optimize Your Supply Chain with WIN SOURCE Solutions

-  Global Sourcing Solution
-  Obsolete Management
-  Cost Control Management
-  Shortage Management
-  Alternative Solution
-  Excess Inventory Management