



# THE DATASHEET OF TLC25L4ACN

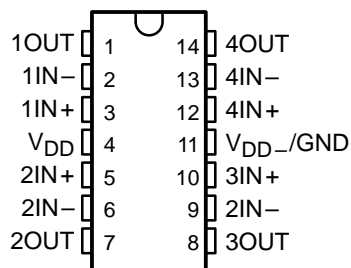


# TLC254, TLC254A, TLC254B, TLC254Y, TLC25L4, TLC25L4A, TLC25L4B TLC25L4Y, TLC25M4, TLC25M4A, TLC25M4B, TLC25M4Y LinCMOS™ QUAD OPERATIONAL AMPLIFIERS

SLOS003G – JUNE 1983 – REVISED MARCH 2001

- A-Suffix Versions Offer 5-mV  $V_{IO}$
- B-Suffix Versions Offer 2-mV  $V_{IO}$
- Wide Range of Supply Voltages  
1.4 V to 16 V
- True Single-Supply Operation
- Common-Mode Input Voltage Includes the Negative Rail
- Low Noise . . . 25 nV/ $\sqrt{\text{Hz}}$  Typ at  $f = 1$  kHz (High-Bias Version)

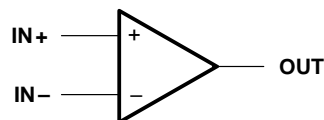
D, N, OR PW PACKAGE  
(TOP VIEW)



## description

The TLC254, TLC254A, TLC254B, TLC25L4, TLC25L4A, TLC25L4B, TLC25M4, TLC25M4A and TLC25M4B are low-cost, low-power quad operational amplifiers designed to operate with single or dual supplies. These devices utilize the Texas Instruments silicon gate LinCMOS™

## symbol (each amplifier)



process, giving them stable input-offset voltages that are available in selected grades of 2, 5, or 10 mV maximum, very high input impedances, and extremely low input offset and bias currents. Because the input common-mode range extends to the negative rail and the power consumption is extremely low, this series is ideally suited for battery-powered or energy-conserving applications. The series offers operation down to a 1.4-V supply, is stable at unity gain, and has excellent noise characteristics.

These devices have internal electrostatic-discharge (ESD) protection circuits that prevent catastrophic failures at voltages up to 2000 V as tested under MIL-STD-883C, Method 3015.1. However, care should be exercised in handling these devices as exposure to ESD may result in degradation of the device parametric performance.

Because of the extremely high input impedance and low input bias and offset currents, applications for these devices include many areas that have previously been limited to BIFET and NFET product types. Any circuit using high-impedance elements and requiring small offset errors is a good candidate for cost-effective use of these devices. Many features associated with bipolar technology are available with LinCMOS operational amplifiers without the power penalties of traditional bipolar devices.

Available options

| T <sub>A</sub> | V <sub>IO</sub> max<br>AT 25°C | PACKAGED DEVICES     |                    |               | CHIP FORM<br>(Y) |
|----------------|--------------------------------|----------------------|--------------------|---------------|------------------|
|                |                                | SMALL OUTLINE<br>(D) | PLASTIC DIP<br>(N) | TSSOP<br>(PW) |                  |
| 0°C to 70°C    | 10 mV                          | TLC254CD             | TLC254CN           | TLC254CPW     | TLC254Y          |
|                | 5 mV                           | TLC254ACD            | TLC254ACN          | —             | —                |
|                | 2 mV                           | TLC254BCD            | TLC254BCN          | —             | —                |
|                | 10 mV                          | TLC25L4CD            | TLC25L4CN          | TLC25L4CPW    | TLC25L4Y         |
|                | 5 mV                           | TLC25L4ACD           | TLC25L4ACN         | —             | —                |
|                | 2 mV                           | TLC25L2BCD           | TLC25L4BCN         | —             | —                |
|                | 10 mV                          | TLC25M4CD            | TLC25M4CN          | TLC25M4CPW    | TLC25M4Y         |
|                | 5 mV                           | TLC25M4ACD           | TLC25M4ACN         | —             | —                |
|                | 2 mV                           | TLC25M4BCD           | TLC25M4BCN         | —             | —                |

The D package is available taped and reeled. Add the suffix R to the device type (e.g., TLC254CDR). Chips are tested at 25°C.

LinCMOS is a trademark of Texas Instruments.

PRODUCTION DATA information is current as of publication date. Products conform to specifications per the terms of Texas Instruments standard warranty. Production processing does not necessarily include testing of all parameters.



POST OFFICE BOX 655303 • DALLAS, TEXAS 75265

Copyright © 2001, Texas Instruments Incorporated

**TLC254, TLC254A, TLC254B, TLC254Y, TLC25L4, TLC25L4A, TLC25L4B  
TLC25L4Y, TLC25M4, TLC25M4A, TLC25M4B, TLC25M4Y  
LinCMOS™ QUAD OPERATIONAL AMPLIFIERS**

SLOS003G – JUNE 1983 – REVISED MARCH 2001

**description (continued)**

General applications such as transducer interfacing, analog calculations, amplifier blocks, active filters, and signal buffering are all easily designed with these devices. Remote and inaccessible equipment applications are possible using their low-voltage and low-power capabilities. These devices are well suited to solve the difficult problems associated with single-battery and solar-cell-powered applications. This series includes devices that are characterized for the commercial temperature range and are available in 14-pin plastic dip and the small-outline packages. The device is also available in chip form.

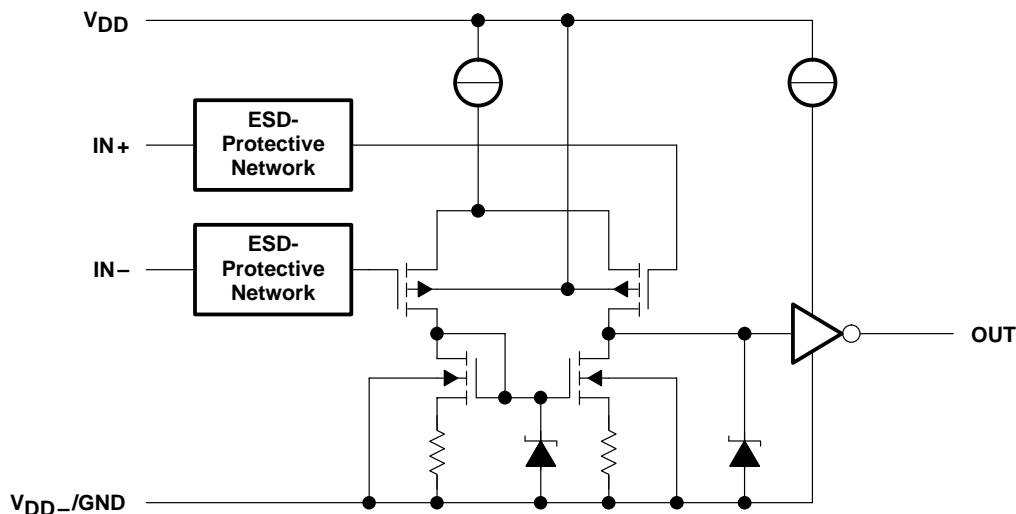
These devices are characterized for operation from 0°C to 70°C.

**DEVICE FEATURES**

| PARAMETER   | TLC25L4_C<br>(LOW BIAS)        | TLC25M4_C<br>(MEDIUM BIAS)     | TLC254_C<br>(HIGH BIAS)        |
|---|--------------------------------|--------------------------------|--------------------------------|
| Supply current (Typ)  | 40 $\mu$ A                     | 600 $\mu$ A                    | 4000 $\mu$ A                   |
| Slew rate (Typ)   | 0.04 V/ $\mu$ A                | 0.6 V/ $\mu$ A                 | 4.5 V/ $\mu$ A                 |
| Input offset voltage (Max)<br>TLC254C, TLC25L4C, TLC25M4C<br>TLC254AC, TLC25L4AC, TLC25M4AC<br>TLC254BC, TLC25L4BC, TLC25M4BC | 10 mV<br>5 mV<br>2 mV          | 10 mV<br>5 mV<br>2 mV          | 10 mV<br>5 mV<br>2 mV          |
| Offset voltage drift (Typ)  | 0.1 $\mu$ V/month <sup>†</sup> | 0.1 $\mu$ V/month <sup>†</sup> | 0.1 $\mu$ V/month <sup>†</sup> |
| Offset voltage temperature coefficient (Typ)  | 0.7 $\mu$ V/ $^{\circ}$ C      | 2 $\mu$ V/ $^{\circ}$ C        | 5 $\mu$ V/ $^{\circ}$ C        |
| Input bias current (Typ)  | 1 pA                           | 1 pA                           | 1 pA                           |
| Input offset current (Typ)  | 1 pA                           | 1 pA                           | 1 pA                           |

<sup>†</sup> The long-term drift value applies after the first month.

**equivalent schematic (each amplifier)**

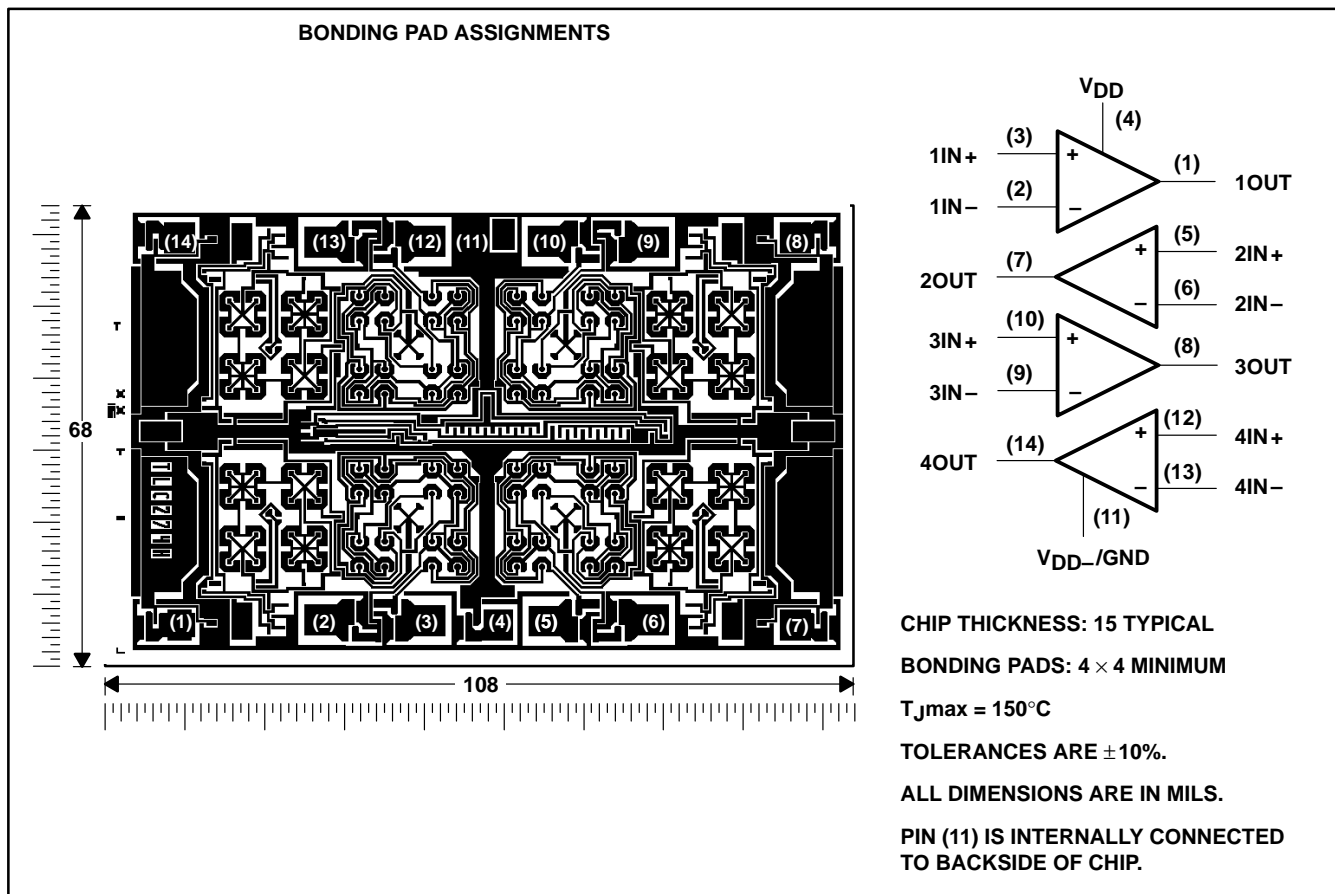


TLC254, TLC254A, TLC254B, TLC254Y, TLC25L4, TLC25L4A, TLC25L4B  
 TLC25L4Y, TLC25M4, TLC25M4A, TLC25M4B, TLC25M4Y  
 LinCMOS™ QUAD OPERATIONAL AMPLIFIERS

SLOS003G – JUNE 1983 – REVISED MARCH 2001

chip information

These chips, when properly assembled, display characteristics similar to the TLC25\_4C. Thermal compression or ultrasonic bonding may be used on the doped-aluminum bonding pads. Chips may be mounted with conductive epoxy or a gold-silicon preform.



**TLC254, TLC254A, TLC254B, TLC254Y, TLC25L4, TLC25L4A, TLC25L4B  
TLC25L4Y, TLC25M4, TLC25M4A, TLC25M4B, TLC25M4Y  
LinCMOS™ QUAD OPERATIONAL AMPLIFIERS**

SLOS003G – JUNE 1983 – REVISED MARCH 2001

**absolute maximum ratings over operating free-air temperature range (unless otherwise noted)†**

|  |                              |
|--|------------------------------|
| Supply voltage, $V_{DD}$ (see Note 1)  | 18 V                         |
| Differential input voltage (see Note 2)  | $\pm 18$ V                   |
| Input voltage range (any input)  | -0.3 V to 18 V               |
| Duration of short-circuit at (or below) 25°C free-air temperature (see Note 3) | unlimited                    |
| Continuous total dissipation   | See Dissipation Rating Table |
| Operating free-air temperature range   | 0°C to 70°C                  |
| Storage temperature range  | -65°C to 150°C               |
| Lead temperature 1,6 mm (1/16 inch) from case for 10 seconds                   | 260°C                        |

† Stresses beyond those listed under “absolute maximum ratings” may cause permanent damage to the device. These are stress ratings only, and functional operation of the device at these or any other conditions beyond those indicated under “recommended operating conditions” is not implied. Exposure to absolute-maximum-rated conditions for extended periods may affect device reliability.

- NOTES: 1. All voltage values, except differential voltages, are with respect to  $V_{DD-}/GND$ .  
 2. Differential voltages are at  $IN+$ , with respect to  $IN-$ .  
 3. The output may be shorted to either supply. Temperature and/or supply voltages must be limited to ensure the maximum dissipation rating is not exceeded.

**DISSIPATION RATING TABLE**

| PACKAGE | $T_A \leq 25^\circ\text{C}$<br>POWER RATING | DERATING FACTOR<br>ABOVE $T_A = 25^\circ\text{C}$ | $T_A = 70^\circ\text{C}$<br>POWER RATING |
|---------|---|---|--|
| D       | 725 mW                                      | 5.8 mW/°C   | 464 mW                                   |
| N       | 1050 mW                                     | 9.2 mW/°C   | 736 mW                                   |
| PW      | 700 mW                                      | 5.6 mW/°C   | 448 mW                                   |

**recommended operating conditions**

|                                       |                  | MIN  | MAX | UNIT |
|---------------------------------------|------------------|------|-----|------|
| Supply voltage, $V_{DD}$              |                  | 1.4  | 16  | V    |
| Common-mode input voltage, $V_{IC}$   | $V_{DD} = 1.4$ V | 0    | 0.2 | V    |
|                                       | $V_{DD} = 5$ V   | -0.2 | 4   |      |
|                                       | $V_{DD} = 10$ V  | -0.2 | 9   |      |
|                                       | $V_{DD} = 16$ V  | -0.2 | 14  |      |
| Operating free-air temperature, $T_A$ |                  | 0    | 70  | °C   |



**electrical characteristics at specified free-air temperature,  $V_{DD} = 1.4$  V (unless otherwise noted)**

| PARAMETER  | TEST CONDITIONST   | T <sub>A</sub> | TLC254_C |          |     | TLC25L4_C |          |     |
|--|--|----------------|----------|----------|-----|-----------|----------|-----|
|  |  |                | MIN      | TYP      | MAX | MIN       | TYP      | MAX |
| V <sub>IO</sub> Input offset voltage                                     | TLC25_4C   | 25°C           |          |          | 10  |           |          | 10  |
|  | TLC25_4AC  | 0°C to 70°C    |          |          | 12  |           |          | 12  |
|  |  | 25°C           |          |          | 5   |           |          | 5   |
|  |  | 0°C to 70°C    |          |          | 6.5 |           |          | 6.5 |
|  | TLC25_4BC  | 25°C           |          |          | 2   |           |          | 2   |
|  |  | 0°C to 70°C    |          |          | 3   |           |          | 3   |
| aV <sub>IO</sub> Average temperature coefficient of input offset voltage |  | 25°C to 70°C   |          | 1        |     |           |          | 1   |
| I <sub>IO</sub> Input offset current                                     | V <sub>O</sub> = 0.2 V   | 25°C           |          | 1        | 60  |           | 1        | 60  |
|  |  | 0°C to 70°C    |          |          | 300 |           |          | 300 |
| I <sub>B</sub> Input bias current  | V <sub>O</sub> = 0.2 V   | 25°C           |          | 1        | 60  |           | 1        | 60  |
|  |  | 0°C to 70°C    |          |          | 600 |           |          | 600 |
| V <sub>ICR</sub> Common-mode input voltage range                         |  | 25°C           |          | 0 to 0.2 |     |           | 0 to 0.2 |     |
| V <sub>OM</sub> Peak output voltage swing†                               | V <sub>ID</sub> = 100 mV   | 25°C           |          | 450      | 700 |           | 450      | 700 |
| A <sub>V</sub> D Large-signal differential voltage amplification         | V <sub>O</sub> = 100 to 300 mV,<br>R <sub>S</sub> = 50 Ω         | 25°C           |          | 10       |     |           | 20       |     |
| CMRR Common-mode rejection ratio   | V <sub>O</sub> = 0.2 V,<br>V <sub>IC</sub> = V <sub>ICRmin</sub> | 25°C           |          | 60       | 77  |           | 60       | 77  |
| I <sub>DD</sub> Supply current   | V <sub>O</sub> = 0.2 V, No load                                  | 25°C           |          | 600      | 750 |           | 50       | 68  |

† All characteristics are measured under open-loop conditions with zero common-mode input voltage unless otherwise specified. Unless otherwise noted, the output is connected from the output to ground and has the following value: for low bias, R<sub>L</sub> = 1 MΩ, for medium bias R<sub>L</sub> = 100 kΩ, and for high bias R<sub>L</sub> = 10 kΩ.  
‡ The output swings to the potential of V<sub>DD</sub>\_/GND.

**operating characteristics,  $V_{DD} = 1.4$  V, T<sub>A</sub> = 25°C**

| PARAMETER                           | TEST CONDITIONS   | TLC254_C |     |     | TLC25L4_C |     |       |
|-------------------------------------|---|----------|-----|-----|-----------|-----|-------|
|                                     |   | MIN      | TYP | MAX | MIN       | TYP | MAX   |
| SR Slew rate at unity gain          | See Figure 1  |          | 0.1 |     |           |     | 0.001 |
| B <sub>1</sub> Unity-gain bandwidth | A <sub>V</sub> = 40 dB,<br>R <sub>S</sub> = 50 Ω,<br>See Figure 1 |          | 12  |     |           |     | 12    |
| Overshoot factor                    | See Figure 1  |          | 30% |     |           |     | 35%   |

**TLC254, TLC254A, TLC254B, TLC254Y, TLC25L4, TLC25L4A, TLC25L4B  
TLC25L4Y, TLC25M4, TLC25M4A, TLC25M4B, TLC25M4Y  
LinCMOS™ QUAD OPERATIONAL AMPLIFIERS**

SLOS003G – JUNE 1983 – REVISED MARCH 2001

**electrical characteristics at specified free-air temperature,  $V_{DD} = 5\text{ V}$  (unless otherwise noted)**

| PARAMETER      |  | TEST CONDITIONS                        |  | $T_A$ †                                     | TLC254, TLC254AC, TLC254BC |             |                              | UNIT |
|----------------|--|--|--|---|----------------------------|-------------|------------------------------|------|
|                |  |  |  |   | MIN                        | TYP         | MAX                          |      |
| $V_{IO}$       | Input offset voltage   | TLC254C                                | $V_O = 1.4\text{ V}$ ,<br>$R_S = 50\ \Omega$ , | $V_{IC} = 0$ ,<br>$R_L = 10\text{ k}\Omega$ | 25°C                       | 1.1         | 10                           | mV   |
|                |  |  |  |   | Full range                 |             | 12                           |      |
|                |  | TLC254AC                               | $V_O = 1.4\text{ V}$ ,<br>$R_S = 50\ \Omega$ , | $V_{IC} = 0$ ,<br>$R_L = 10\text{ k}\Omega$ | 25°C                       | 0.9         | 5                            |      |
|                |  |  |  |   | Full range                 |             | 6.5                          |      |
|                |  | TLC254BC                               | $V_O = 1.4\text{ V}$ ,<br>$R_S = 50\ \Omega$ , | $V_{IC} = 0$ ,<br>$R_L = 10\text{ k}\Omega$ | 25°C                       | 0.34        | 2                            |      |
|                |  |  |  |   | Full range                 |             | 3                            |      |
| $\alpha_{VIO}$ | Average temperature coefficient of input offset voltage          |  |  | 25°C to 70°C                                | 1.8                        |             | $\mu\text{V}/^\circ\text{C}$ |      |
| $I_{IO}$       | Input offset current (see Note 4)                                | $V_O = 2.5\text{ V}$ ,                 | $V_{IC} = 2.5\text{ V}$                        | 25°C  | 0.1                        | 60          | pA                           |      |
|                |  |  |  | 70°C  | 7                          | 300         |                              |      |
| $I_{IB}$       | Input bias current (see Note 4)                                  | $V_O = 2.5\text{ V}$ ,                 | $V_{IC} = 2.5\text{ V}$                        | 25°C  | 0.6                        | 60          | pA                           |      |
|                |  |  |  | 70°C  | 40                         | 600         |                              |      |
| $V_{ICR}$      | Common-mode input voltage range (see Note 5)                     |  |  | 25°C  | -0.2 to 4                  | -0.3 to 4.2 | V                            |      |
|                |  |  |  | Full range                                  | -0.2 to 3.5                |             |                              |      |
| $V_{OH}$       | High-level output voltage  | $V_{ID} = 100\text{ mV}$ ,             | $R_L = 10\text{ k}\Omega$                      | 0°C   | 3                          | 3.8         | V                            |      |
|                |  |  |  | 25°C  | 3.2                        | 3.8         |                              |      |
|                |  |  |  | 70°C  | 3                          | 3.8         |                              |      |
| $V_{OL}$       | Low-level output voltage   | $V_{ID} = -100\text{ mV}$ ,            | $I_{OL} = 0$                                   | 0°C   | 0                          | 50          | mV                           |      |
|                |  |  |  | 25°C  | 0                          | 50          |                              |      |
|                |  |  |  | 70°C  | 0                          | 50          |                              |      |
| $A_{VD}$       | Large-signal differential voltage amplification                  | $V_O = 0.25\text{ V to }2\text{ V}$ ,  | $R_L = 10\text{ k}\Omega$                      | 0°C   | 4                          | 27          | V/mV                         |      |
|                |  |  |  | 25°C  | 5                          | 23          |                              |      |
|                |  |  |  | 70°C  | 4                          | 20          |                              |      |
| CMRR           | Common-mode rejection ratio                                      | $V_{IC} = V_{ICRmin}$                  |  | 0°C   | 60                         | 84          | dB                           |      |
|                |  |  |  | 25°C  | 65                         | 80          |                              |      |
|                |  |  |  | 70°C  | 60                         | 85          |                              |      |
| $k_{SVR}$      | Supply-voltage rejection ratio ( $\Delta V_{DD}/\Delta V_{IO}$ ) | $V_{DD} = 5\text{ V to }10\text{ V}$ , | $V_O = 1.4\text{ V}$                           | 0°C   | 60                         | 94          | dB                           |      |
|                |  |  |  | 25°C  | 65                         | 95          |                              |      |
|                |  |  |  | 70°C  | 60                         | 96          |                              |      |
| $I_{DD}$       | Supply current (four amplifiers)                                 | $V_O = 2.5\text{ V}$ ,<br>No load      | $V_{IC} = 2.5\text{ V}$ ,                      | 0°C   | 3.1                        | 7.2         | mA                           |      |
|                |  |  |  | 25°C  | 2.7                        | 6.4         |                              |      |
|                |  |  |  | 70°C  | 2.3                        | 5.2         |                              |      |

† Full range is 0°C to 70°C.

NOTES: 4. The typical values of input bias current and input offset current below 5 pA were determined mathematically.  
5. This range also applies to each input individually.



**TLC254, TLC254A, TLC254B, TLC254Y, TLC25L4, TLC25L4A, TLC25L4B  
TLC25L4Y, TLC25M4, TLC25M4A, TLC25M4B, TLC25M4Y  
LinCMOS™ QUAD OPERATIONAL AMPLIFIERS**

SLOS003G – JUNE 1983 – REVISED MARCH 2001

**electrical characteristics at specified free-air temperature,  $V_{DD} = 10\text{ V}$  (unless otherwise noted)**

| PARAMETER        |  | TEST CONDITIONS                       |  | $T_A$ †                                    | TLC254C, TLC254AC,<br>TLC254BC |             |                              | UNIT |
|------------------|--|---------------------------------------|--|--|--------------------------------|-------------|------------------------------|------|
|                  |  |                                       |  |  | MIN                            | TYP         | MAX                          |      |
| $V_{IO}$         | Input offset voltage   | TLC254C                               | $V_O = 1.4\text{ V},$<br>$R_S = 50\ \Omega,$ | $V_{IC} = 0,$<br>$R_L = 10\text{ k}\Omega$ | 25°C                           | 1.1         | 10                           | mV   |
|                  |  |                                       |  |  | Full range                     |             | 12                           |      |
|                  |  | TLC254AC                              | $V_O = 1.4\text{ V},$<br>$R_S = 50\ \Omega,$ | $V_{IC} = 0,$<br>$R_L = 10\text{ k}\Omega$ | 25°C                           | 0.9         | 5                            |      |
|                  |  |                                       |  |  | Full range                     |             | 6.5                          |      |
|                  |  | TLC254BC                              | $V_O = 1.4\text{ V},$<br>$R_S = 50\ \Omega,$ | $V_{IC} = 0,$<br>$R_L = 10\text{ k}\Omega$ | 25°C                           | 0.39        | 2                            |      |
|                  |  |                                       |  |  | Full range                     |             | 3                            |      |
| $\epsilon_{VIO}$ | Average temperature coefficient of input offset voltage          |                                       |  | 25°C to 70°C                               | 2                              |             | $\mu\text{V}/^\circ\text{C}$ |      |
| $I_{IO}$         | Input offset current (see Note 4)                                | $V_O = 5\text{ V},$                   | $V_{IC} = 5\text{ V}$                        | 25°C                                       | 0.1                            | 60          | pA                           |      |
|                  |  |                                       |  | 70°C                                       | 7                              | 300         |                              |      |
| $I_{IB}$         | Input bias current (see Note 4)                                  | $V_O = 5\text{ V},$                   | $V_{IC} = 5\text{ V}$                        | 25°C                                       | 0.7                            | 60          | pA                           |      |
|                  |  |                                       |  | 70°C                                       | 50                             | 600         |                              |      |
| $V_{ICR}$        | Common-mode input voltage range (see Note 5)                     |                                       |  | 25°C                                       | -0.2 to 9                      | -0.3 to 9.2 | V                            |      |
|                  |  |                                       |  | Full range                                 | -0.2 to 8.5                    |             |                              |      |
| $V_{OH}$         | High-level output voltage  | $V_{ID} = 100\text{ mV},$             | $R_L = 10\text{ k}\Omega$                    | 0°C  | 7.8                            | 8.5         | V                            |      |
|                  |  |                                       |  | 25°C                                       | 8                              | 8.5         |                              |      |
|                  |  |                                       |  | 70°C                                       | 7.8                            | 8.4         |                              |      |
| $V_{OL}$         | Low-level output voltage   | $V_{ID} = -100\text{ mV},$            | $I_{OL} = 0$                                 | 0°C  | 0                              | 50          | mV                           |      |
|                  |  |                                       |  | 25°C                                       | 0                              | 50          |                              |      |
|                  |  |                                       |  | 70°C                                       | 0                              | 50          |                              |      |
| $A_{VD}$         | Large-signal differential voltage amplification                  | $V_O = 1\text{ V to }6\text{ V},$     | $R_L = 10\text{ k}\Omega$                    | 0°C  | 7.5                            | 42          | V/mV                         |      |
|                  |  |                                       |  | 25°C                                       | 10                             | 36          |                              |      |
|                  |  |                                       |  | 70°C                                       | 7.5                            | 32          |                              |      |
| CMRR             | Common-mode rejection ratio                                      | $V_{IC} = V_{ICRmin}$                 |  | 0°C  | 60                             | 88          | dB                           |      |
|                  |  |                                       |  | 25°C                                       | 65                             | 85          |                              |      |
|                  |  |                                       |  | 70°C                                       | 60                             | 88          |                              |      |
| $k_{SVR}$        | Supply-voltage rejection ratio ( $\Delta V_{DD}/\Delta V_{IO}$ ) | $V_{DD} = 5\text{ V to }10\text{ V},$ | $V_O = 1.4\text{ V}$                         | 0°C  | 60                             | 94          | dB                           |      |
|                  |  |                                       |  | 25°C                                       | 65                             | 95          |                              |      |
|                  |  |                                       |  | 70°C                                       | 60                             | 96          |                              |      |
| $I_{DD}$         | Supply current (four amplifiers)                                 | $V_O = 5\text{ V},$<br>No load        | $V_{IC} = 5\text{ V},$                       | 0°C  | 4.5                            | 8.8         | mA                           |      |
|                  |  |                                       |  | 25°C                                       | 3.8                            | 8           |                              |      |
|                  |  |                                       |  | 70°C                                       | 3.2                            | 6.8         |                              |      |

† Full range is 0°C to 70°C.

NOTES: 4. The typical values of input bias current and input offset current below 5 pA were determined mathematically.

5. This range also applies to each input individually.



**TLC254, TLC254A, TLC254B, TLC254Y, TLC25L4, TLC25L4A, TLC25L4B  
TLC25L4Y, TLC25M4, TLC25M4A, TLC25M4B, TLC25M4Y  
LinCMOS™ QUAD OPERATIONAL AMPLIFIERS**

SLOS003G – JUNE 1983 – REVISED MARCH 2001

**operating characteristics,  $V_{DD} = 5\text{ V}$**

| PARAMETER                                      | TEST CONDITIONS   | $T_A$                    | TLC254C, TLC254AC, TLC254BC |     |                        | UNIT       |
|--|---|--------------------------|-----------------------------|-----|------------------------|------------|
|  |   |                          | MIN                         | TYP | MAX                    |            |
| SR Slew rate at unity gain                     | $R_L = 10\text{ k}\Omega$ ,<br>See Figure 1<br>$C_L = 20\text{ pF}$                     | $V_{I(PP)} = 1\text{ V}$ | 0°C                         | 4   |                        | V/ $\mu$ s |
|  |   |                          | 25°C                        | 3.6 |                        |            |
|  |   | $V_{I(PP)} = 1\text{ V}$ | 70°C                        | 3   |                        |            |
|  |   |                          | $V_{I(PP)} = 2.5\text{ V}$  | 0°C | 3.1                    |            |
|  |   | 25°C                     |                             | 2.9 |                        |            |
|  |   | 70°C                     |                             | 2.5 |                        |            |
| $V_n$ Equivalent input noise voltage           | $f = 1\text{ kHz}$ ,<br>$R_S = 20\ \Omega$ ,<br>See Figure 2                            | 25°C                     | 25                          |     | nV/ $\sqrt{\text{Hz}}$ |            |
| B <sub>OM</sub> Maximum output-swing bandwidth | $V_O = V_{OH}$ ,<br>See Figure 1<br>$C_L = 20\text{ pF}$ ,<br>$R_L = 10\text{ k}\Omega$ | 0°C                      | 340                         |     | kHz                    |            |
|  |   | 25°C                     | 320                         |     |                        |            |
|  |   | 70°C                     | 260                         |     |                        |            |
| B <sub>1</sub> Unity-gain bandwidth            | $V_I = 10\text{ mV}$ ,<br>$C_L = 20\text{ pF}$ ,<br>See Figure 1                        | 0°C                      | 2                           |     | MHz                    |            |
|  |   | 25°C                     | 1.7                         |     |                        |            |
|  |   | 70°C                     | 1.3                         |     |                        |            |
| $\phi_m$ Phase margin                          | $V_I = 10\text{ mV}$ ,<br>See Figure 3<br>$f = B_1$ ,<br>$C_L = 20\text{ pF}$           | 0°C                      | 47°                         |     |                        |            |
|  |   | 25°C                     | 46°                         |     |                        |            |
|  |   | 70°C                     | 43°                         |     |                        |            |

**operating characteristics,  $V_{DD} = 10\text{ V}$**

| PARAMETER                                      | TEST CONDITIONS   | $T_A$                      | TLC254C, TLC254AC, TLC254BC |     |                        | UNIT       |
|--|---|----------------------------|-----------------------------|-----|------------------------|------------|
|  |   |                            | MIN                         | TYP | MAX                    |            |
| SR Slew rate at unity gain                     | $R_L = 10\text{ k}\Omega$ ,<br>See Figure 1<br>$C_L = 20\text{ pF}$                     | $V_{I(PP)} = 1\text{ V}$   | 0°C                         | 5.9 |                        | V/ $\mu$ s |
|  |   |                            | 25°C                        | 5.3 |                        |            |
|  |   |                            | 70°C                        | 4.3 |                        |            |
|  |   | $V_{I(PP)} = 5.5\text{ V}$ | 0°C                         | 5.1 |                        |            |
|  |   |                            | 25°C                        | 4.6 |                        |            |
|  |   |                            | 70°C                        | 3.8 |                        |            |
| $V_n$ Equivalent input noise voltage           | $f = 1\text{ kHz}$ ,<br>$R_S = 20\ \Omega$ ,<br>See Figure 2                            | 25°C                       | 25                          |     | nV/ $\sqrt{\text{Hz}}$ |            |
| B <sub>OM</sub> Maximum output-swing bandwidth | $V_O = V_{OH}$ ,<br>See Figure 1<br>$C_L = 20\text{ pF}$ ,<br>$R_L = 10\text{ k}\Omega$ | 0°C                        | 220                         |     | kHz                    |            |
|  |   | 25°C                       | 200                         |     |                        |            |
|  |   | 70°C                       | 140                         |     |                        |            |
| B <sub>1</sub> Unity-gain bandwidth            | $V_I = 10\text{ mV}$ ,<br>$C_L = 20\text{ pF}$ ,<br>See Figure 1                        | 0°C                        | 2.5                         |     | MHz                    |            |
|  |   | 25°C                       | 2.2                         |     |                        |            |
|  |   | 70°C                       | 1.8                         |     |                        |            |
| $\phi_m$ Phase margin                          | $V_I = 10\text{ mV}$ ,<br>See Figure 3<br>$f = B_1$ ,<br>$C_L = 20\text{ pF}$           | 0°C                        | 50°                         |     |                        |            |
|  |   | 25°C                       | 49°                         |     |                        |            |
|  |   | 70°C                       | 46°                         |     |                        |            |



**TLC254, TLC254A, TLC254B, TLC254Y, TLC25L4, TLC25L4A, TLC25L4B  
TLC25L4Y, TLC25M4, TLC25M4A, TLC25M4B, TLC25M4Y  
LinCMOS™ QUAD OPERATIONAL AMPLIFIERS**

SLOS003G – JUNE 1983 – REVISED MARCH 2001

**electrical characteristics at specified free-air temperature,  $V_{DD} = 5\text{ V}$  (unless otherwise noted)**

| PARAMETER       |  | TEST CONDITIONS                       |  | $T_A^\dagger$                             | TLC25L4C<br>TLC25L4AC<br>TLC25L4BC |                   |                              | UNIT |
|-----------------|--|---------------------------------------|--|---|------------------------------------|-------------------|------------------------------|------|
|                 |  |                                       |  |   | MIN                                | TYP               | MAX                          |      |
| $V_{IO}$        | Input offset voltage   | TLC25L4C                              | $V_O = 1.4\text{ V},$<br>$R_S = 50\ \Omega,$ | $V_{IC} = 0,$<br>$R_L = 1\text{ M}\Omega$ | 25°C                               | 1.1               | 10                           | mV   |
|                 |  |                                       |  |   | Full range                         |                   | 12                           |      |
|                 |  | TLC25L4AC                             | $V_O = 1.4\text{ V},$<br>$R_S = 50\ \Omega,$ | $V_{IC} = 0,$<br>$R_L = 1\text{ M}\Omega$ | 25°C                               | 0.9               | 5                            |      |
|                 |  |                                       |  |   | Full range                         |                   | 6.5                          |      |
|                 |  | TLC25L4BC                             | $V_O = 1.4\text{ V},$<br>$R_S = 50\ \Omega,$ | $V_{IC} = 0,$<br>$R_L = 1\text{ M}\Omega$ | 25°C                               | 0.24              | 2                            |      |
|                 |  |                                       |  |   | Full range                         |                   | 3                            |      |
| $\infty V_{IO}$ | Average temperature coefficient of input offset voltage          |                                       |  | 25°C to 70°C                              | 1.1                                |                   | $\mu\text{V}/^\circ\text{C}$ |      |
| $I_{IO}$        | Input offset current (see Note 4)                                | $V_O = 2.5\text{ V},$                 | $V_{IC} = 2.5\text{ V}$                      | 25°C                                      | 0.1                                | 60                | pA                           |      |
|                 |  |                                       |  | 70°C                                      | 7                                  | 300               |                              |      |
| $I_{IB}$        | Input bias current (see Note 4)                                  | $V_O = 2.5\text{ V},$                 | $V_{IC} = 2.5\text{ V}$                      | 25°C                                      | 0.6                                | 60                | pA                           |      |
|                 |  |                                       |  | 70°C                                      | 40                                 | 600               |                              |      |
| $V_{ICR}$       | Common-mode input voltage range (see Note 5)                     |                                       |  | 25°C                                      | -0.2<br>to<br>4                    | -0.3<br>to<br>4.2 | V                            |      |
|                 |  |                                       |  | Full range                                | -0.2<br>to<br>3.5                  |                   | V                            |      |
| $V_{OH}$        | High-level output voltage  | $V_{ID} = 100\text{ mV},$             | $R_L = 1\text{ M}\Omega$                     | 0°C                                       | 3                                  | 4.1               | V                            |      |
|                 |  |                                       |  | 25°C                                      | 3.2                                | 4.1               |                              |      |
|                 |  |                                       |  | 70°C                                      | 3                                  | 4.2               |                              |      |
| $V_{OL}$        | Low-level output voltage   | $V_{ID} = -100\text{ mV},$            | $I_{OL} = 0$                                 | 0°C                                       | 0                                  | 50                | mV                           |      |
|                 |  |                                       |  | 25°C                                      | 0                                  | 50                |                              |      |
|                 |  |                                       |  | 70°C                                      | 0                                  | 50                |                              |      |
| $A_{VD}$        | Large-signal differential voltage amplification                  | $V_O = 0.25\text{ V to }2\text{ V},$  | $R_L = 1\text{ M}\Omega$                     | 0°C                                       | 50                                 | 680               | V/mV                         |      |
|                 |  |                                       |  | 25°C                                      | 50                                 | 520               |                              |      |
|                 |  |                                       |  | 70°C                                      | 50                                 | 380               |                              |      |
| CMRR            | Common-mode rejection ratio                                      | $V_{IC} = V_{ICRmin}$                 |  | 0°C                                       | 60                                 | 95                | dB                           |      |
|                 |  |                                       |  | 25°C                                      | 65                                 | 94                |                              |      |
|                 |  |                                       |  | 70°C                                      | 60                                 | 95                |                              |      |
| $k_{SVR}$       | Supply-voltage rejection ratio ( $\Delta V_{DD}/\Delta V_{IO}$ ) | $V_{DD} = 5\text{ V to }10\text{ V},$ | $V_O = 1.4\text{ V}$                         | 0°C                                       | 60                                 | 97                | dB                           |      |
|                 |  |                                       |  | 25°C                                      | 70                                 | 98                |                              |      |
|                 |  |                                       |  | 70°C                                      | 60                                 | 97                |                              |      |
| $I_{DD}$        | Supply current (four amplifiers)                                 | $V_O = 2.5\text{ V},$<br>No load      | $V_{IC} = 2.5\text{ V},$                     | 0°C                                       | 48                                 | 84                | $\mu\text{A}$                |      |
|                 |  |                                       |  | 25°C                                      | 40                                 | 68                |                              |      |
|                 |  |                                       |  | 70°C                                      | 31                                 | 56                |                              |      |

$^\dagger$  Full range is 0°C to 70°C.

NOTES: 4. The typical values of input bias current and input offset current below 5 pA were determined mathematically.

5. This range also applies to each input individually.



**TLC254, TLC254A, TLC254B, TLC254Y, TLC25L4, TLC25L4A, TLC25L4B  
TLC25L4Y, TLC25M4, TLC25M4A, TLC25M4B, TLC25M4Y  
LinCMOS™ QUAD OPERATIONAL AMPLIFIERS**

SLOS003G – JUNE 1983 – REVISED MARCH 2001

**electrical characteristics at specified free-air temperature,  $V_{DD} = 10\text{ V}$  (unless otherwise noted)**

| PARAMETER      |  | TEST CONDITIONS   | $T_A$ †                                    | TLC25L4C<br>TLC25L4AC<br>TLC25L4BC |             |                              | UNIT          |
|----------------|--|---|--|------------------------------------|-------------|------------------------------|---------------|
|                |  |   |  | MIN                                | TYP         | MAX                          |               |
| $V_{IO}$       | Input offset voltage   | TLC25L4C<br>$V_O = 1.4\text{ V}$ ,<br>$R_S = 50\ \Omega$ ,  | $V_{IC} = 0$ ,<br>$R_L = 1\text{ M}\Omega$ | 25°C                               | 1.1         | 10                           | mV            |
|                |  |   |  | Full range                         |             | 12                           |               |
|                |  | TLC25L4AC<br>$V_O = 1.4\text{ V}$ ,<br>$R_S = 50\ \Omega$ , | $V_{IC} = 0$ ,<br>$R_L = 1\text{ M}\Omega$ | 25°C                               | 0.9         | 5                            |               |
|                |  |   |  | Full range                         |             | 6.5                          |               |
|                |  | TLC25L4BC<br>$V_O = 1.4\text{ V}$ ,<br>$R_S = 50\ \Omega$ , | $V_{IC} = 0$ ,<br>$R_L = 1\text{ M}\Omega$ | 25°C                               | 0.26        | 2                            |               |
|                |  |   |  | Full range                         |             | 3                            |               |
| $\alpha_{VIO}$ | Average temperature coefficient of input offset voltage          |   | 25°C to 70°C                               | 1                                  |             | $\mu\text{V}/^\circ\text{C}$ |               |
| $I_{IO}$       | Input offset current (see Note 4)                                | $V_O = 5\text{ V}$ ,  | $V_{IC} = 5\text{ V}$                      | 25°C                               | 0.1         | 60                           | pA            |
|                |  |   |  | 70°C                               | 7           | 300                          |               |
| $I_{IB}$       | Input bias current (see Note 4)                                  | $V_O = 5\text{ V}$ ,  | $V_{IC} = 5\text{ V}$                      | 25°C                               | 0.7         | 60                           | pA            |
|                |  |   |  | 70°C                               | 50          | 600                          |               |
| $V_{ICR}$      | Common-mode input voltage range (see Note 5)                     |   |  | 25°C                               | -0.2 to 9   | -0.3 to 9.2                  | V             |
|                |  |   |  | Full range                         | -0.2 to 8.5 |                              | V             |
| $V_{OH}$       | High-level output voltage  | $V_{ID} = 100\text{ mV}$ ,                                  | $R_L = 1\text{ M}\Omega$                   | 0°C                                | 7.8         | 8.9                          | V             |
|                |  |   |  | 25°C                               | 8           | 8.9                          |               |
|                |  |   |  | 70°C                               | 7.8         | 8.9                          |               |
| $V_{OL}$       | Low-level output voltage   | $V_{ID} = -100\text{ mV}$ ,                                 | $I_{OL} = 0$                               | 0°C                                | 0           | 50                           | mV            |
|                |  |   |  | 25°C                               | 0           | 50                           |               |
|                |  |   |  | 70°C                               | 0           | 50                           |               |
| $A_{VD}$       | Large-signal differential voltage amplification                  | $V_O = 1\text{ V to }6\text{ V}$ ,                          | $R_L = 1\text{ M}\Omega$                   | 0°C                                | 50          | 1025                         | V/mV          |
|                |  |   |  | 25°C                               | 50          | 870                          |               |
|                |  |   |  | 70°C                               | 50          | 660                          |               |
| CMRR           | Common-mode rejection ratio                                      | $V_{IC} = V_{ICRmin}$                                       |  | 0°C                                | 60          | 97                           | dB            |
|                |  |   |  | 25°C                               | 65          | 97                           |               |
|                |  |   |  | 70°C                               | 60          | 97                           |               |
| $k_{SVR}$      | Supply-voltage rejection ratio ( $\Delta V_{DD}/\Delta V_{IO}$ ) | $V_{DD} = 5\text{ V to }10\text{ V}$ ,                      | $V_O = 1.4\text{ V}$                       | 0°C                                | 60          | 97                           | dB            |
|                |  |   |  | 25°C                               | 70          | 97                           |               |
|                |  |   |  | 70°C                               | 60          | 98                           |               |
| $I_{DD}$       | Supply current (four amplifiers)                                 | $V_O = 5\text{ V}$ ,<br>No load                             | $V_{IC} = 5\text{ V}$ ,                    | 0°C                                | 72          | 132                          | $\mu\text{A}$ |
|                |  |   |  | 25°C                               | 57          | 92                           |               |
|                |  |   |  | 70°C                               | 44          | 80                           |               |

† Full range is 0°C to 70°C.

- NOTES: 4. The typical values of input bias current and input offset current below 5 pA were determined mathematically.  
5. This range also applies to each input individually.



**TLC254, TLC254A, TLC254B, TLC254Y, TLC25L4, TLC25L4A, TLC25L4B  
TLC25L4Y, TLC25M4, TLC25M4A, TLC25M4B, TLC25M4Y  
LinCMOS™ QUAD OPERATIONAL AMPLIFIERS**

SLOS003G – JUNE 1983 – REVISED MARCH 2001

**operating characteristics,  $V_{DD} = 5\text{ V}$**

| PARAMETER                               | TEST CONDITIONS  | $T_A$                      | TLC25L4C<br>TLC25L4AC<br>TLC25L4BC |      |                        | UNIT       |
|---|--|----------------------------|------------------------------------|------|------------------------|------------|
|   |  |                            | MIN                                | TYP  | MAX                    |            |
| SR Slew rate at unity gain              | $R_L = 1\text{ M}\Omega$ ,<br>See Figure 1<br>$C_L = 20\text{ pF}$                     | $V_{I(PP)} = 1\text{ V}$   | 0°C                                | 0.04 |                        | V/ $\mu$ s |
|   |  |                            | 25°C                               | 0.03 |                        |            |
|   |  |                            | 70°C                               | 0.03 |                        |            |
|   |  | $V_{I(PP)} = 2.5\text{ V}$ | 0°C                                | 0.03 |                        |            |
|   |  |                            | 25°C                               | 0.03 |                        |            |
|   |  |                            | 70°C                               | 0.02 |                        |            |
| $V_n$ Equivalent input noise voltage    | $f = 1\text{ kHz}$ ,<br>$R_S = 20\ \Omega$ ,<br>See Figure 2                           | 25°C                       | 70                                 |      | nV/ $\sqrt{\text{Hz}}$ |            |
| $B_{OM}$ Maximum output-swing bandwidth | $V_O = V_{OH}$ ,<br>See Figure 1<br>$C_L = 20\text{ pF}$ ,<br>$R_L = 1\text{ M}\Omega$ | 0°C                        | 6                                  |      | kHz                    |            |
|   |  | 25°C                       | 5                                  |      |                        |            |
|   |  | 70°C                       | 4.5                                |      |                        |            |
| $B_1$ Unity-gain bandwidth              | $V_I = 10\text{ mV}$ ,<br>$C_L = 20\text{ pF}$ ,<br>See Figure 1                       | 0°C                        | 100                                |      | kHz                    |            |
|   |  | 25°C                       | 85                                 |      |                        |            |
|   |  | 70°C                       | 65                                 |      |                        |            |
| $\phi_m$ Phase margin                   | $V_I = 10\text{ mV}$ ,<br>See Figure 3<br>$f = B_1$ ,<br>$C_L = 20\text{ pF}$          | 0°C                        | 36°                                |      |                        |            |
|   |  | 25°C                       | 34°                                |      |                        |            |
|   |  | 70°C                       | 30°                                |      |                        |            |

**operating characteristics,  $V_{DD} = 10\text{ V}$**

| PARAMETER                               | TEST CONDITIONS  | $T_A$                      | TLC25L4C<br>TLC25L4AC<br>TLC25L4BC |      |                        | UNIT       |
|---|--|----------------------------|------------------------------------|------|------------------------|------------|
|   |  |                            | MIN                                | TYP  | MAX                    |            |
| SR Slew rate at unity gain              | $R_L = 1\text{ M}\Omega$ ,<br>See Figure 1<br>$C_L = 20\text{ pF}$                     | $V_{I(PP)} = 1\text{ V}$   | 0°C                                | 0.05 |                        | V/ $\mu$ s |
|   |  |                            | 25°C                               | 0.05 |                        |            |
|   |  |                            | 70°C                               | 0.04 |                        |            |
|   |  | $V_{I(PP)} = 5.5\text{ V}$ | 0°C                                | 0.05 |                        |            |
|   |  |                            | 25°C                               | 0.04 |                        |            |
|   |  |                            | 70°C                               | 0.04 |                        |            |
| $V_n$ Equivalent input noise voltage    | $f = 1\text{ kHz}$ ,<br>$R_S = 20\ \Omega$ ,<br>See Figure 2                           | 25°C                       | 70                                 |      | nV/ $\sqrt{\text{Hz}}$ |            |
| $B_{OM}$ Maximum output-swing bandwidth | $V_O = V_{OH}$ ,<br>See Figure 1<br>$C_L = 20\text{ pF}$ ,<br>$R_L = 1\text{ M}\Omega$ | 0°C                        | 1.3                                |      | kHz                    |            |
|   |  | 25°C                       | 1                                  |      |                        |            |
|   |  | 70°C                       | 0.9                                |      |                        |            |
| $B_1$ Unity-gain bandwidth              | $V_I = 10\text{ mV}$ ,<br>$C_L = 20\text{ pF}$ ,<br>See Figure 1                       | 0°C                        | 125                                |      | kHz                    |            |
|   |  | 25°C                       | 110                                |      |                        |            |
|   |  | 70°C                       | 90                                 |      |                        |            |
| $\phi_m$ Phase margin                   | $V_I = 10\text{ mV}$ ,<br>See Figure 3<br>$f = B_1$ ,<br>$C_L = 20\text{ pF}$          | 0°C                        | 40°                                |      |                        |            |
|   |  | 25°C                       | 38°                                |      |                        |            |
|   |  | 70°C                       | 34°                                |      |                        |            |



**TLC254, TLC254A, TLC254B, TLC254Y, TLC25L4, TLC25L4A, TLC25L4B  
TLC25L4Y, TLC25M4, TLC25M4A, TLC25M4B, TLC25M4Y  
LinCMOS™ QUAD OPERATIONAL AMPLIFIERS**

SLOS003G – JUNE 1983 – REVISED MARCH 2001

**electrical characteristics at specified free-air temperature,  $V_{DD} = 5\text{ V}$  (unless otherwise noted)**

| PARAMETER        |  | TEST CONDITIONS                      |  | $T_A$ †                                      | TLC25M4C<br>TLC25M4AC<br>TLC25M4BC |                   |                                | UNIT |
|------------------|--|--------------------------------------|--|--|------------------------------------|-------------------|--------------------------------|------|
|                  |  |                                      |  |  | MIN                                | TYP               | MAX                            |      |
| $V_{IO}$         | Input offset voltage   | TLC25M4C                             | $V_O = 1.4\text{ V}$ ,<br>$R_S = 50\ \Omega$ | $V_{IC} = 0$ ,<br>$R_L = 100\text{ k}\Omega$ | 25°C                               | 1.1               | 10                             | mV   |
|                  |  |                                      |  |  | Full range                         |                   | 12                             |      |
|                  |  | TLC25M4AC                            | $V_O = 1.4\text{ V}$ ,<br>$R_S = 50\ \Omega$ | $V_{IC} = 0$ ,<br>$R_L = 100\text{ k}\Omega$ | 25°C                               | 0.9               | 5                              |      |
|                  |  |                                      |  |  | Full range                         |                   | 6.5                            |      |
|                  |  | TLC25M4BC                            | $V_O = 1.4\text{ V}$ ,<br>$R_S = 50\ \Omega$ | $V_{IC} = 0$ ,<br>$R_L = 100\text{ k}\Omega$ | 25°C                               | 0.25              | 2                              |      |
|                  |  |                                      |  |  | Full range                         |                   | 3                              |      |
| $^{\circ}V_{IO}$ | Average temperature coefficient of input offset voltage          |                                      |  | 25°C to 70°C                                 | 1.7                                |                   | $\mu\text{V}/^{\circ}\text{C}$ |      |
| $I_{IO}$         | Input offset current (see Note 4)                                | $V_O = 2.5\text{ V}$                 | $V_{IC} = 2.5\text{ V}$                      | 25°C   | 0.1                                | 60                | pA                             |      |
|                  |  |                                      |  | 70°C   | 7                                  | 300               |                                |      |
| $I_{IB}$         | Input bias current (see Note 4)                                  | $V_O = 2.5\text{ V}$                 | $V_{IC} = 2.5\text{ V}$                      | 25°C   | 0.6                                | 60                | pA                             |      |
|                  |  |                                      |  | 70°C   | 40                                 | 600               |                                |      |
| $V_{ICR}$        | Common-mode input voltage range (see Note 5)                     |                                      |  | 25°C   | -0.2<br>to<br>4                    | -0.3<br>to<br>4.2 | V                              |      |
|                  |  |                                      |  | Full range                                   | -0.2<br>to<br>3.5                  |                   | V                              |      |
| $V_{OH}$         | High-level output voltage  | $V_{ID} = 100\text{ mV}$             | $R_L = 100\text{ k}\Omega$                   | 0°C  | 3                                  | 3.9               | V                              |      |
|                  |  |                                      |  | 25°C   | 3.2                                | 3.9               |                                |      |
|                  |  |                                      |  | 70°C   | 3                                  | 4                 |                                |      |
| $V_{OL}$         | Low-level output voltage   | $V_{ID} = -100\text{ mV}$            | $I_{OL} = 0$                                 | 0°C  |                                    | 0 50              | mV                             |      |
|                  |  |                                      |  | 25°C   |                                    | 0 50              |                                |      |
|                  |  |                                      |  | 70°C   |                                    | 0 50              |                                |      |
| $A_{VD}$         | Large-signal differential voltage amplification                  | $V_O = 0.25\text{ V to }2\text{ V}$  | $R_L = 100\text{ k}\Omega$                   | 0°C  | 15                                 | 200               | V/mV                           |      |
|                  |  |                                      |  | 25°C   | 25                                 | 170               |                                |      |
|                  |  |                                      |  | 70°C   | 15                                 | 140               |                                |      |
| CMRR             | Common-mode rejection ratio                                      | $V_{IC} = V_{ICRmin}$                |  | 0°C  | 60                                 | 91                | dB                             |      |
|                  |  |                                      |  | 25°C   | 65                                 | 91                |                                |      |
|                  |  |                                      |  | 70°C   | 60                                 | 92                |                                |      |
| $k_{SVR}$        | Supply-voltage rejection ratio ( $\Delta V_{DD}/\Delta V_{IO}$ ) | $V_{DD} = 5\text{ V to }10\text{ V}$ | $V_O = 1.4\text{ V}$                         | 0°C  | 60                                 | 92                | dB                             |      |
|                  |  |                                      |  | 25°C   | 70                                 | 93                |                                |      |
|                  |  |                                      |  | 70°C   | 60                                 | 94                |                                |      |
| $I_{DD}$         | Supply current (four amplifiers)                                 | $V_O = 2.5\text{ V}$ ,<br>No load    | $V_{IC} = 2.5\text{ V}$                      | 0°C  | 500                                | 1280              | $\mu\text{A}$                  |      |
|                  |  |                                      |  | 25°C   | 420                                | 1120              |                                |      |
|                  |  |                                      |  | 70°C   | 340                                | 880               |                                |      |

† Full range is 0°C to 70°C.

NOTES: 4. The typical values of input bias current and input offset current below 5 pA were determined mathematically.  
5. This range also applies to each input individually.



**TLC254, TLC254A, TLC254B, TLC254Y, TLC25L4, TLC25L4A, TLC25L4B  
TLC25L4Y, TLC25M4, TLC25M4A, TLC25M4B, TLC25M4Y  
LinCMOS™ QUAD OPERATIONAL AMPLIFIERS**

SLOS003G – JUNE 1983 – REVISED MARCH 2001

**electrical characteristics at specified free-air temperature,  $V_{DD} = 10\text{ V}$  (unless otherwise noted)**

| PARAMETER      |  | TEST CONDITIONS                                | $T_A^\dagger$                                | TLC25M4C<br>TLC25M4AC<br>TLC25M4BC |             |                              | UNIT          |
|----------------|--|--|--|------------------------------------|-------------|------------------------------|---------------|
|                |  |  |  | MIN                                | TYP         | MAX                          |               |
| $V_{IO}$       | Input offset voltage   | $V_O = 1.4\text{ V}$ ,<br>$R_S = 50\ \Omega$ , | $V_{IC} = 0$ ,<br>$R_L = 100\text{ k}\Omega$ | 25°C                               | 1.1         | 10                           | mV            |
|                |  |  |  | Full range                         |             | 12                           |               |
|                |  |  |  | 25°C                               | 0.9         | 5                            |               |
|                |  |  |  | Full range                         |             | 6.5                          |               |
|                |  |  |  | 25°C                               | 0.26        | 2                            |               |
|                |  |  |  | Full range                         |             | 3                            |               |
| $\alpha_{VIO}$ | Average temperature coefficient of input offset voltage          |  | 25°C to 70°C                                 | 2.1                                |             | $\mu\text{V}/^\circ\text{C}$ |               |
| $I_{IO}$       | Input offset current (see Note 4)                                | $V_O = 5\text{ V}$ ,                           | $V_{IC} = 5\text{ V}$                        | 25°C                               | 0.1         | 60                           | pA            |
|                |  |  |  | 70°C                               | 7           | 300                          |               |
| $I_{IB}$       | Input bias current (see Note 4)                                  | $V_O = 5\text{ V}$ ,                           | $V_{IC} = 5\text{ V}$                        | 25°C                               | 0.7         | 60                           | pA            |
|                |  |  |  | 70°C                               | 50          | 600                          |               |
| $V_{ICR}$      | Common-mode input voltage range (see Note 5)                     |  |  | 25°C                               | -0.2 to 9   | -0.3 to 9.2                  | V             |
|                |  |  |  | Full range                         | -0.2 to 8.5 |                              | V             |
| $V_{OH}$       | High-level output voltage  | $V_{ID} = 100\text{ mV}$ ,                     | $R_L = 100\text{ k}\Omega$                   | 0°C                                | 7.8         | 8.7                          | V             |
|                |  |  |  | 25°C                               | 8           | 8.7                          |               |
|                |  |  |  | 70°C                               | 7.8         | 8.7                          |               |
| $V_{OL}$       | Low-level output voltage   | $V_{ID} = -100\text{ mV}$ ,                    | $I_{OL} = 0$                                 | 0°C                                | 0           | 50                           | mV            |
|                |  |  |  | 25°C                               | 0           | 50                           |               |
|                |  |  |  | 70°C                               | 0           | 50                           |               |
| $A_{VD}$       | Large-signal differential voltage amplification                  | $V_O = 1\text{ V to }6\text{ V}$ ,             | $R_L = 100\text{ k}\Omega$                   | 0°C                                | 15          | 320                          | V/mV          |
|                |  |  |  | 25°C                               | 25          | 275                          |               |
|                |  |  |  | 70°C                               | 15          | 230                          |               |
| CMRR           | Common-mode rejection ratio                                      | $V_{IC} = V_{ICRmin}$                          |  | 0°C                                | 60          | 94                           | dB            |
|                |  |  |  | 25°C                               | 65          | 94                           |               |
|                |  |  |  | 70°C                               | 60          | 94                           |               |
| $k_{SVR}$      | Supply-voltage rejection ratio ( $\Delta V_{DD}/\Delta V_{IO}$ ) | $V_{DD} = 5\text{ V to }10\text{ V}$ ,         | $V_O = 1.4\text{ V}$                         | 0°C                                | 60          | 92                           | dB            |
|                |  |  |  | 25°C                               | 70          | 93                           |               |
|                |  |  |  | 70°C                               | 60          | 94                           |               |
| $I_{DD}$       | Supply current (four amplifiers)                                 | $V_O = 5\text{ V}$ ,<br>No load                | $V_{IC} = 5\text{ V}$ ,                      | 0°C                                | 690         | 1600                         | $\mu\text{A}$ |
|                |  |  |  | 25°C                               | 570         | 1200                         |               |
|                |  |  |  | 70°C                               | 440         | 1120                         |               |

$^\dagger$  Full range is 0°C to 70°C.

NOTES: 4. The typical values of input bias current and input offset current below 5 pA were determined mathematically.

5. This range also applies to each input individually.



**TLC254, TLC254A, TLC254B, TLC254Y, TLC25L4, TLC25L4A, TLC25L4B  
TLC25L4Y, TLC25M4, TLC25M4A, TLC25M4B, TLC25M4Y  
LinCMOS™ QUAD OPERATIONAL AMPLIFIERS**

SLOS003G – JUNE 1983 – REVISED MARCH 2001

**operating characteristics,  $V_{DD} = 5\text{ V}$**

| PARAMETER                               | TEST CONDITIONS   | $T_A$  | TLC25M4C<br>TLC25M4AC<br>TLC25M4BC |      |                        | UNIT       |
|---|---|--|------------------------------------|------|------------------------|------------|
|   |   |  | MIN                                | TYP  | MAX                    |            |
| SR Slew rate at unity gain              | $R_L = 100\text{ k}\Omega$ , $C_L = 20\text{ pF}$ ,<br>See Figure 1 | $V_{I(PP)} = 1\text{ V}$                             | 0°C                                | 0.46 |                        | V/ $\mu$ s |
|   |   |  | 25°C                               | 0.43 |                        | V/ $\mu$ s |
|   |   |  | 70°C                               | 0.36 |                        |            |
|   |   | $V_{I(PP)} = 2.5\text{ V}$                           | 0°C                                | 0.43 |                        | V/ $\mu$ s |
|   |   |  | 25°C                               | 0.40 |                        |            |
|   |   |  | 70°C                               | 0.34 |                        |            |
| $V_n$ Equivalent input noise voltage    | $f = 1\text{ kHz}$ , $R_S = 20\ \Omega$ ,<br>See Figure 2           | 25°C   | 32                                 |      | nV/ $\sqrt{\text{Hz}}$ |            |
| $B_{OM}$ Maximum output-swing bandwidth | $V_O = V_{OH}$ ,<br>See Figure 1                                    | $C_L = 20\text{ pF}$ ,<br>$R_L = 100\text{ k}\Omega$ | 0°C                                | 60   |                        | kHz        |
|   |   |  | 25°C                               | 55   |                        |            |
|   |   |  | 70°C                               | 50   |                        |            |
| $B_1$ Unity-gain bandwidth              | $V_I = 10\text{ mV}$ ,<br>$C_L = 20\text{ pF}$ ,<br>See Figure 1    | 0°C  | 610                                |      | kHz                    |            |
|   |   | 25°C   | 525                                |      |                        |            |
|   |   | 70°C   | 400                                |      |                        |            |
| $\phi_m$ Phase margin                   | $V_I = 10\text{ mV}$ ,<br>See Figure 3                              | $f = B_1$ ,<br>$C_L = 20\text{ pF}$                  | 0°C                                | 41°  |                        |            |
|   |   |  | 25°C                               | 40°  |                        |            |
|   |   |  | 70°C                               | 39°  |                        |            |

**operating characteristics,  $V_{DD} = 10\text{ V}$**

| PARAMETER                               | TEST CONDITIONS   | $T_A$  | TLC25M4C<br>TLC25M4AC<br>TLC25M4BC |      |                        | UNIT       |
|---|---|--|------------------------------------|------|------------------------|------------|
|   |   |  | MIN                                | TYP  | MAX                    |            |
| SR Slew rate at unity gain              | $R_L = 100\text{ k}\Omega$ , $C_L = 20\text{ pF}$ ,<br>See Figure 1 | $V_{I(PP)} = 1\text{ V}$                             | 0°C                                | 0.67 |                        | V/ $\mu$ s |
|   |   |  | 25°C                               | 0.62 |                        |            |
|   |   |  | 70°C                               | 0.51 |                        |            |
|   |   | $V_{I(PP)} = 5.5\text{ V}$                           | 0°C                                | 0.61 |                        |            |
|   |   |  | 25°C                               | 0.56 |                        |            |
|   |   |  | 70°C                               | 0.46 |                        |            |
| $V_n$ Equivalent input noise voltage    | $f = 1\text{ kHz}$ , $R_S = 20\ \Omega$ ,<br>See Figure 2           | 25°C   | 32                                 |      | nV/ $\sqrt{\text{Hz}}$ |            |
| $B_{OM}$ Maximum output-swing bandwidth | $V_O = V_{OH}$ ,<br>See Figure 1                                    | $C_L = 20\text{ pF}$ ,<br>$R_L = 100\text{ k}\Omega$ | 0°C                                | 40   |                        | kHz        |
|   |   |  | 25°C                               | 35   |                        |            |
|   |   |  | 70°C                               | 30   |                        |            |
| $B_1$ Unity-gain bandwidth              | $V_I = 10\text{ mV}$ ,<br>$C_L = 20\text{ pF}$ ,<br>See Figure 1    | 0°C  | 710                                |      | kHz                    |            |
|   |   | 25°C   | 635                                |      |                        |            |
|   |   | 70°C   | 510                                |      |                        |            |
| $\phi_m$ Phase margin                   | $V_I = 10\text{ mV}$ ,<br>See Figure 3                              | $f = B_1$ ,<br>$C_L = 20\text{ pF}$                  | 0°C                                | 44°  |                        |            |
|   |   |  | 25°C                               | 43°  |                        |            |
|   |   |  | 70°C                               | 42°  |                        |            |



**TLC254, TLC254A, TLC254B, TLC254Y, TLC25L4, TLC25L4A, TLC25L4B  
TLC25L4Y, TLC25M4, TLC25M4A, TLC25M4B, TLC25M4Y  
LinCMOS™ QUAD OPERATIONAL AMPLIFIERS**

SLOS003G – JUNE 1983 – REVISED MARCH 2001

**electrical characteristics,  $V_{DD} = 5\text{ V}$ ,  $T_A = 25^\circ\text{C}$  (unless otherwise noted)**

| PARAMETER  | TEST CONDITIONS   | TLC254Y         |                   |     | TLC25L4Y        |                   |       | TLC25M4Y        |                   |      | UNIT                         |
|--|---|-----------------|-------------------|-----|-----------------|-------------------|-------|-----------------|-------------------|------|------------------------------|
|  |   | MIN             | TYP               | MAX | MIN             | TYP               | MAX   | MIN             | TYP               | MAX  |                              |
| $V_{IO}$ Input offset voltage  | $V_O = 1.4\text{ V}$ ,<br>$V_{IC} = 0\text{ V}$ ,<br>$R_S = 50\ \Omega$ ,<br>See Note 6 |                 | 1.1               | 10  |                 | 1.1               | 10    |                 | 1.1               | 10   | mV                           |
| $\alpha_{VIO}$ Average temperature coefficient of input offset voltage     |   |                 | 1.8               |     |                 | 1.1               |       |                 | 1.7               |      | $\mu\text{V}/^\circ\text{C}$ |
| $I_{IO}$ Input offset current (see Note 4)                                 | $V_O = V_{DD}/2$ ,<br>$V_{IC} = V_{DD}/2$   |                 | 0.1               | 60  |                 | 0.1               | 60    |                 | 0.1               | 60   | pA                           |
| $I_{IB}$ Input bias current (see Note 4)                                   | $V_O = V_{DD}/2$ ,<br>$V_{IC} = V_{DD}/2$   |                 | 0.6               | 60  |                 | 0.6               | 60    |                 | 0.6               | 60   | pA                           |
| $V_{ICR}$ Common-mode input voltage range (see Note 5)                     |   | -0.2<br>to<br>4 | -0.3<br>to<br>4.2 |     | -0.2<br>to<br>4 | -0.3<br>to<br>4.2 |       | -0.2<br>to<br>4 | -0.3<br>to<br>4.2 |      | V                            |
| $V_{OH}$ High-level output voltage   | $V_{ID} = 100\text{ mV}$ ,<br>$R_L = 100\text{ k}\Omega$                                | 3.2             | 3.8               |     | 3.2             | 4.1               |       | 3.2             | 3.9               |      | V                            |
| $V_{OL}$ Low-level output voltage  | $V_{ID} = -100\text{ mV}$ ,<br>$I_{OL} = 0$   |                 | 0                 | 50  |                 | 0                 | 50    |                 | 0                 | 50   | mV                           |
| $A_{VD}$ Large-signal differential voltage amplification                   | $V_O = 0.25\text{ V}$ ,<br>See Note 6   | 5               | 23                |     | 50              | 520               |       | 25              | 170               |      | V/mV                         |
| CMRR Common-mode rejection ratio   | $V_{IC} = V_{ICRmin}$   | 65              | 80                |     | 65              | 94                |       | 65              | 91                |      | dB                           |
| $k_{SVR}$ Supply-voltage rejection ratio ( $\Delta V_{DD}/\Delta V_{IO}$ ) | $V_{DD} = 5\text{ V to }10\text{ V}$ ,<br>$V_O = 1.4\text{ V}$                          | 65              | 95                |     | 70              | 97                |       | 70              | 93                |      | dB                           |
| $I_{DD}$ Supply current  | $V_O = V_{DD}/2$ ,<br>$V_{IC} = V_{DD}/2$ ,<br>No load                                  |                 | 2.7               | 6.4 |                 | 0.04              | 0.068 |                 | 0.42              | 1.12 | mA                           |

NOTES: 4. The typical values of input bias current and input offset current below 5 pA were determined mathematically.  
5. This range also applies to each input individually.  
6. For low-bias mode,  $R_L = 1\text{ M}\Omega$ , for medium-bias mode,  $R_L = 100\text{ k}\Omega$ , and for high-bias mode,  $R_L = 10\text{ k}\Omega$ .

**operating characteristics,  $V_{DD} = 5\text{ V}$ ,  $T_A = 25^\circ\text{C}$**

| PARAMETER                               | TEST CONDITIONS   | TLC254Y                  |     |     | TLC25L4Y |       |     | TLC25M4Y |     |                              | UNIT |
|---|---|--------------------------|-----|-----|----------|-------|-----|----------|-----|------------------------------|------|
|   |   | MIN                      | TYP | MAX | MIN      | TYP   | MAX | MIN      | TYP | MAX                          |      |
| SR Slew rate at unity gain              | $C_L = 20\text{ pF}$ ,<br>See Note 6                                    | $V_I(PP) = 1\text{ V}$   |     | 3.6 |          | 0.03  |     | 0.43     |     | $V/\mu\text{s}$              |      |
|   |   | $V_I(PP) = 2.5\text{ V}$ |     | 2.9 |          | 0.03  |     | 0.40     |     |                              |      |
| $V_n$ Equivalent input noise voltage    | $f = 1\text{ kHz}$ ,<br>$R_S = 20\ \Omega$                              |                          | 2.5 |     |          | 70    |     | 32       |     | $\text{nV}/\sqrt{\text{Hz}}$ |      |
| $B_{OM}$ Maximum output-swing bandwidth | $V_O = V_{OH}$ ,<br>$R_L = 10\text{ k}\Omega$ ,<br>$C_L = 20\text{ pF}$ |                          | 320 |     |          | 5     |     | 55       |     | kHz                          |      |
| $B_1$ Unity-gain bandwidth              | $V_I = 10\text{ mV}$ ,<br>$C_L = 20\text{ pF}$                          |                          | 1.7 |     |          | 0.085 |     | 0.525    |     | MHz                          |      |
| $\phi_m$ Phase margin                   | $f = B_1$ ,<br>$C_L = 20\text{ pF}$ ,<br>$V_I = 10\text{ mV}$           |                          | 46° |     |          | 34°   |     | 40°      |     |                              |      |

NOTE 6: For low-bias mode,  $R_L = 1\text{ M}\Omega$ , for medium-bias mode,  $R_L = 100\text{ k}\Omega$ , and for high-bias mode,  $R_L = 10\text{ k}\Omega$ .



PARAMETER MEASUREMENT INFORMATION

single-supply versus split-supply test circuits

Because the TLC25\_4, TLC25\_4A, and TLC25\_4B are optimized for single-supply operation, circuit configurations used for the various tests often present some inconvenience since the input signal, in many cases, must be offset from ground. This inconvenience can be avoided by testing the device with split supplies and the output load tied to the negative rail. A comparison of single-supply versus split-supply test circuits is shown below. The use of either circuit gives the same result.

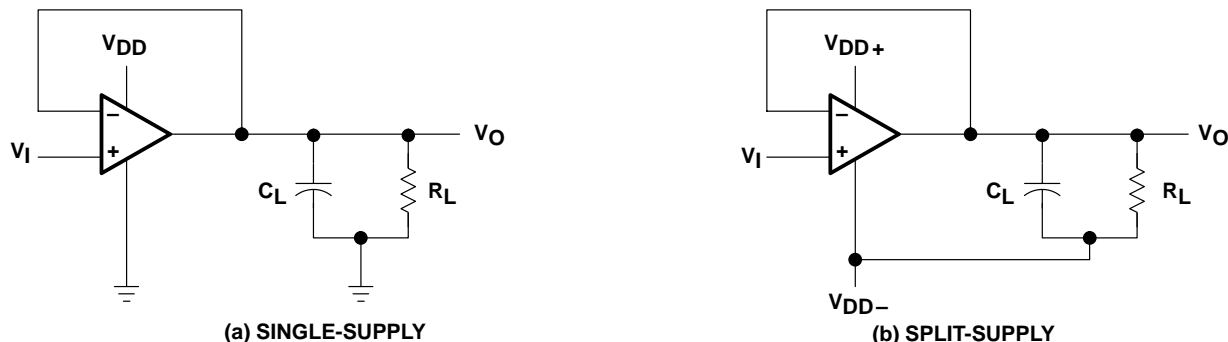


Figure 1. Unity-Gain Amplifier

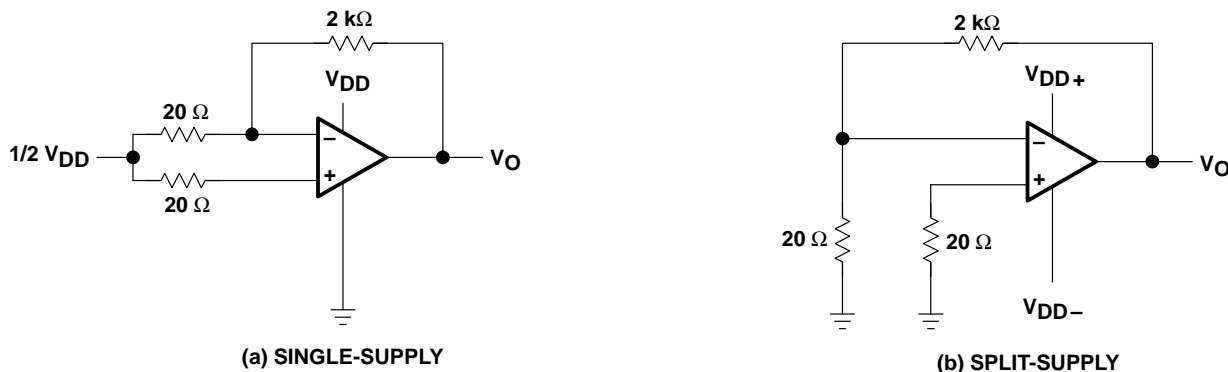


Figure 2. Noise-Test Circuit

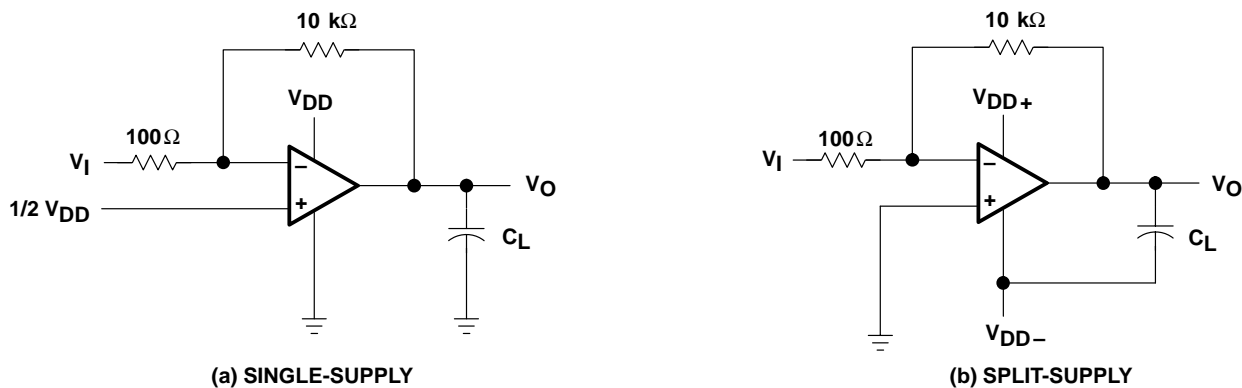


Figure 3. Gain-of-100 Inverting Amplifier

TYPICAL CHARACTERISTICS

Table of Graphs

|                 |   |             | FIGURE                  |   |
|-----------------|---|-------------|-------------------------|---|
| I <sub>DD</sub> | Supply current                                  |             | vs Supply voltage       | 4 |
|                 |   |             | vs Free-air temperature | 5 |
| A <sub>VD</sub> | Large-signal differential voltage amplification | Low bias    | vs Frequency            | 6 |
|                 |   | Medium bias | vs Frequency            | 7 |
|                 |   | High bias   | vs Frequency            | 8 |
|                 | Phase shift                                     | Low bias    | vs Frequency            | 6 |
|                 |   | Medium bias | vs Frequency            | 7 |
|                 |   | High bias   | vs Frequency            | 8 |

SUPPLY CURRENT  
 vs  
 SUPPLY VOLTAGE

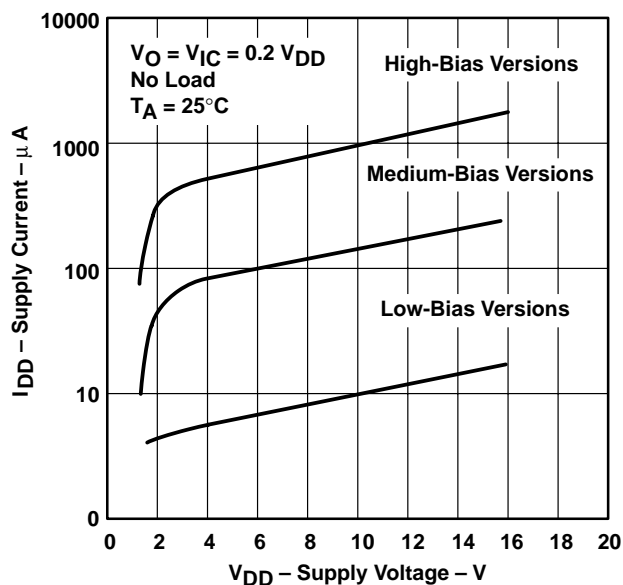


Figure 4

SUPPLY CURRENT  
 vs  
 FREE-AIR TEMPERATURE

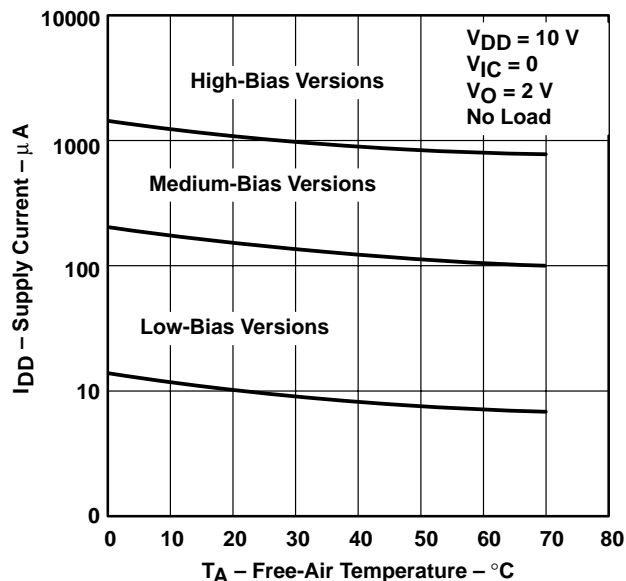


Figure 5

TYPICAL CHARACTERISTICS

LOW-BIAS LARGE-SIGNAL DIFFERENTIAL  
 VOLTAGE AMPLIFICATION AND PHASE SHIFT

VS  
 FREQUENCY

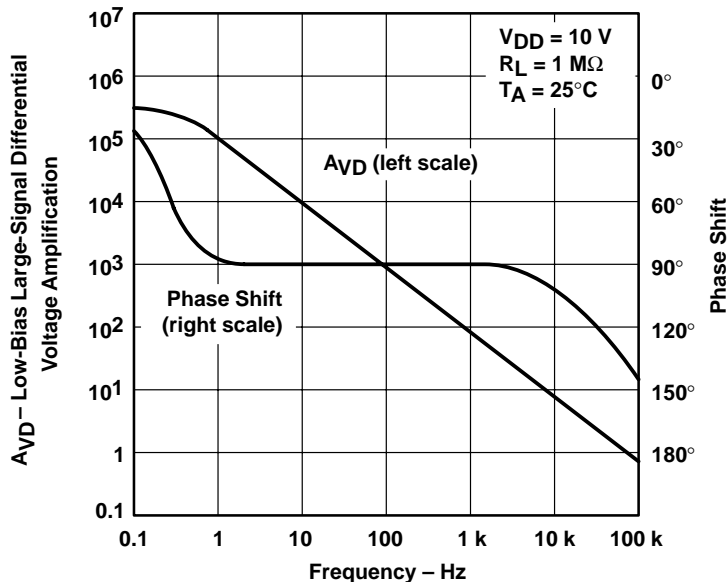


Figure 6

MEDIUM-BIAS LARGE-SIGNAL  
 DIFFERENTIAL VOLTAGE AMPLIFICATION  
 AND PHASE SHIFT

VS  
 FREQUENCY

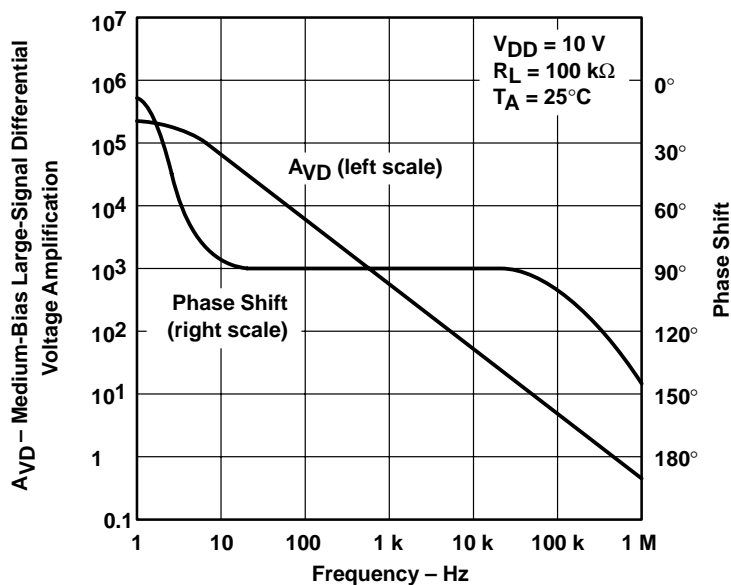


Figure 7

TYPICAL CHARACTERISTICS

HIGH-BIAS LARGE-SIGNAL  
DIFFERENTIAL VOLTAGE AMPLIFICATION  
AND PHASE SHIFT  
VS  
FREQUENCY

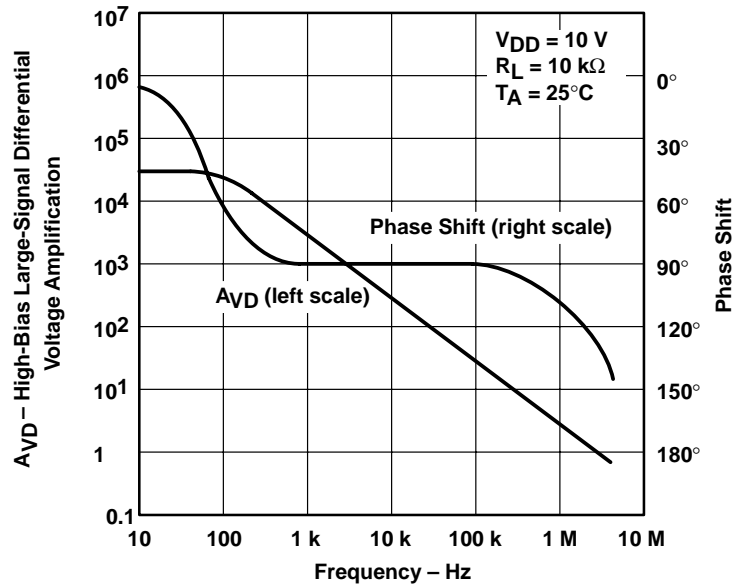


Figure 8

## APPLICATION INFORMATION

### **latch-up avoidance**

Junction-isolated CMOS circuits have an inherent parasitic PNP structure that can function as an SCR. Under certain conditions, this SCR may be triggered into a low-impedance state, resulting in excessive supply current. To avoid such conditions, no voltage greater than 0.3 V beyond the supply rails should be applied to any pin. In general, the operational amplifiers supplies should be established simultaneously with, or before, application of any input signals.

### **output stage considerations**

The amplifier's output stage consists of a source-follower-connected pullup transistor and an open-drain pulldown transistor. The high-level output voltage ( $V_{OH}$ ) is virtually independent of the  $I_{DD}$  selection and increases with higher values of  $V_{DD}$  and reduced output loading. The low-level output voltage ( $V_{OL}$ ) decreases with reduced output current and higher input common-mode voltage. With no load,  $V_{OL}$  is essentially equal to the potential of  $V_{DD-}/GND$ .

### **supply configurations**

Even though the TLC25\_4C series is characterized for single-supply operation, they can be used effectively in a split-supply configuration if the input common-mode voltage ( $V_{ICR}$ ), output swing ( $V_{OL}$  and  $V_{OH}$ ), and supply voltage limits are not exceeded.

### **circuit layout precautions**

Whenever extremely high circuit impedances are used, care must be exercised in layout, construction, board cleanliness, and supply filtering to avoid hum and noise pickup as well as excessive dc leakages.

**PACKAGING INFORMATION**

| Orderable Device | Status<br>(1) | Package Type | Package Drawing | Pins | Package Qty | Eco Plan<br>(2)         | Lead/Ball Finish<br>(6) | MSL Peak Temp<br>(3) | Op Temp (°C) | Device Marking<br>(4/5) | Samples                 |
|------------------|---------------|--------------|-----------------|------|-------------|-------------------------|-------------------------|----------------------|--------------|-------------------------|-------------------------|
| TLC254ACD        | ACTIVE        | SOIC         | D               | 14   | 50          | Green (RoHS & no Sb/Br) | CU NIPDAU               | Level-1-260C-UNLIM   | 0 to 70      | TLC254AC                | <a href="#">Samples</a> |
| TLC254BCD        | ACTIVE        | SOIC         | D               | 14   | 50          | Green (RoHS & no Sb/Br) | CU NIPDAU               | Level-1-260C-UNLIM   | 0 to 70      | TLC254BC                | <a href="#">Samples</a> |
| TLC254BCN        | ACTIVE        | PDIP         | N               | 14   | 25          | Green (RoHS & no Sb/Br) | CU NIPDAU               | N / A for Pkg Type   | 0 to 70      | TLC254BCN               | <a href="#">Samples</a> |
| TLC254CD         | ACTIVE        | SOIC         | D               | 14   | 50          | Green (RoHS & no Sb/Br) | CU NIPDAU               | Level-1-260C-UNLIM   | 0 to 70      | TLC254C                 | <a href="#">Samples</a> |
| TLC254CDG4       | ACTIVE        | SOIC         | D               | 14   | 50          | Green (RoHS & no Sb/Br) | CU NIPDAU               | Level-1-260C-UNLIM   | 0 to 70      | TLC254C                 | <a href="#">Samples</a> |
| TLC254CN         | ACTIVE        | PDIP         | N               | 14   | 25          | Green (RoHS & no Sb/Br) | CU NIPDAU               | N / A for Pkg Type   | 0 to 70      | TLC254CN                | <a href="#">Samples</a> |
| TLC254CNE4       | ACTIVE        | PDIP         | N               | 14   | 25          | Green (RoHS & no Sb/Br) | CU NIPDAU               | N / A for Pkg Type   | 0 to 70      | TLC254CN                | <a href="#">Samples</a> |
| TLC25L4BCD       | ACTIVE        | SOIC         | D               | 14   | 50          | Green (RoHS & no Sb/Br) | CU NIPDAU               | Level-1-260C-UNLIM   | 0 to 70      | 25L4BC                  | <a href="#">Samples</a> |
| TLC25L4BCN       | ACTIVE        | PDIP         | N               | 14   | 25          | Green (RoHS & no Sb/Br) | CU NIPDAU               | N / A for Pkg Type   |              | TLC25L4BCN              | <a href="#">Samples</a> |
| TLC25L4CD        | ACTIVE        | SOIC         | D               | 14   | 50          | Green (RoHS & no Sb/Br) | CU NIPDAU               | Level-1-260C-UNLIM   | 0 to 70      | TLC25L4C                | <a href="#">Samples</a> |
| TLC25L4CDG4      | ACTIVE        | SOIC         | D               | 14   | 50          | Green (RoHS & no Sb/Br) | CU NIPDAU               | Level-1-260C-UNLIM   | 0 to 70      | TLC25L4C                | <a href="#">Samples</a> |
| TLC25M4CD        | ACTIVE        | SOIC         | D               | 14   | 50          | Green (RoHS & no Sb/Br) | CU NIPDAU               | Level-1-260C-UNLIM   | 0 to 70      | TLC25M4C                | <a href="#">Samples</a> |
| TLC25M4CN        | ACTIVE        | PDIP         | N               | 14   | 25          | Green (RoHS & no Sb/Br) | CU NIPDAU               | N / A for Pkg Type   | 0 to 70      | TLC25M4CN               | <a href="#">Samples</a> |

(1) The marketing status values are defined as follows:

**ACTIVE:** Product device recommended for new designs.

**LIFEBUY:** TI has announced that the device will be discontinued, and a lifetime-buy period is in effect.

**NRND:** Not recommended for new designs. Device is in production to support existing customers, but TI does not recommend using this part in a new design.

**PREVIEW:** Device has been announced but is not in production. Samples may or may not be available.

**OBSELETE:** TI has discontinued the production of the device.

(2) **RoHS:** TI defines "RoHS" to mean semiconductor products that are compliant with the current EU RoHS requirements for all 10 RoHS substances, including the requirement that RoHS substance do not exceed 0.1% by weight in homogeneous materials. Where designed to be soldered at high temperatures, "RoHS" products are suitable for use in specified lead-free processes. TI may reference these types of products as "Pb-Free".

**RoHS Exempt:** TI defines "RoHS Exempt" to mean products that contain lead but are compliant with EU RoHS pursuant to a specific EU RoHS exemption.

**Green:** TI defines "Green" to mean the content of Chlorine (Cl) and Bromine (Br) based flame retardants meet JS709B low halogen requirements of  $\leq 1000$ ppm threshold. Antimony trioxide based flame retardants must also meet the  $\leq 1000$ ppm threshold requirement.

(3) MSL, Peak Temp. - The Moisture Sensitivity Level rating according to the JEDEC industry standard classifications, and peak solder temperature.

(4) There may be additional marking, which relates to the logo, the lot trace code information, or the environmental category on the device.

(5) Multiple Device Markings will be inside parentheses. Only one Device Marking contained in parentheses and separated by a "~" will appear on a device. If a line is indented then it is a continuation of the previous line and the two combined represent the entire Device Marking for that device.

(6) Lead/Ball Finish - Orderable Devices may have multiple material finish options. Finish options are separated by a vertical ruled line. Lead/Ball Finish values may wrap to two lines if the finish value exceeds the maximum column width.

**Important Information and Disclaimer:** The information provided on this page represents TI's knowledge and belief as of the date that it is provided. TI bases its knowledge and belief on information provided by third parties, and makes no representation or warranty as to the accuracy of such information. Efforts are underway to better integrate information from third parties. TI has taken and continues to take reasonable steps to provide representative and accurate information but may not have conducted destructive testing or chemical analysis on incoming materials and chemicals. TI and TI suppliers consider certain information to be proprietary, and thus CAS numbers and other limited information may not be available for release.

In no event shall TI's liability arising out of such information exceed the total purchase price of the TI part(s) at issue in this document sold by TI to Customer on an annual basis.

D (R-PDSO-G14)

PLASTIC SMALL OUTLINE



- NOTES:
- A. All linear dimensions are in inches (millimeters).
  - B. This drawing is subject to change without notice.
  - Body length does not include mold flash, protrusions, or gate burrs. Mold flash, protrusions, or gate burrs shall not exceed 0.006 (0,15) each side.
  - Body width does not include interlead flash. Interlead flash shall not exceed 0.017 (0,43) each side.
  - E. Reference JEDEC MS-012 variation AB.

D (R-PDSO-G14)

PLASTIC SMALL OUTLINE



4211283-3/E 08/12

- NOTES:
- All linear dimensions are in millimeters.
  - This drawing is subject to change without notice.
  - Publication IPC-7351 is recommended for alternate designs.
  - Laser cutting apertures with trapezoidal walls and also rounding corners will offer better paste release. Customers should contact their board assembly site for stencil design recommendations. Refer to IPC-7525 for other stencil recommendations.
  - Customers should contact their board fabrication site for solder mask tolerances between and around signal pads.



## IMPORTANT NOTICE AND DISCLAIMER

TI PROVIDES TECHNICAL AND RELIABILITY DATA (INCLUDING DATASHEETS), DESIGN RESOURCES (INCLUDING REFERENCE DESIGNS), APPLICATION OR OTHER DESIGN ADVICE, WEB TOOLS, SAFETY INFORMATION, AND OTHER RESOURCES "AS IS" AND WITH ALL FAULTS, AND DISCLAIMS ALL WARRANTIES, EXPRESS AND IMPLIED, INCLUDING WITHOUT LIMITATION ANY IMPLIED WARRANTIES OF MERCHANTABILITY, FITNESS FOR A PARTICULAR PURPOSE OR NON-INFRINGEMENT OF THIRD PARTY INTELLECTUAL PROPERTY RIGHTS.

These resources are intended for skilled developers designing with TI products. You are solely responsible for (1) selecting the appropriate TI products for your application, (2) designing, validating and testing your application, and (3) ensuring your application meets applicable standards, and any other safety, security, or other requirements. These resources are subject to change without notice. TI grants you permission to use these resources only for development of an application that uses the TI products described in the resource. Other reproduction and display of these resources is prohibited. No license is granted to any other TI intellectual property right or to any third party intellectual property right. TI disclaims responsibility for, and you will fully indemnify TI and its representatives against, any claims, damages, costs, losses, and liabilities arising out of your use of these resources.

TI's products are provided subject to TI's Terms of Sale ([www.ti.com/legal/termsofsale.html](http://www.ti.com/legal/termsofsale.html)) or other applicable terms available either on [ti.com](http://ti.com) or provided in conjunction with such TI products. TI's provision of these resources does not expand or otherwise alter TI's applicable warranties or warranty disclaimers for TI products.

Mailing Address: Texas Instruments, Post Office Box 655303, Dallas, Texas 75265  
Copyright © 2018, Texas Instruments Incorporated

## Looking for pricing, stock, or lifecycle information?

Click below to explore more details on WIN SOURCE:

 [View TLC25L4ACN on WIN SOURCE](#)

 [Texas Instruments](#) Information

## Optimize Your Supply Chain with WIN SOURCE Solutions

-  Global Sourcing Solution
-  Obsolete Management
-  Cost Control Management
-  Shortage Management
-  Alternative Solution
-  Excess Inventory Management