



**THE DATASHEET OF
DF23C-12DS-0.5V(53)**



Aug.1.2019 Copyright 2019 HIROSE ELECTRIC CO., LTD. All Rights Reserved.
 2 In case of consideration for using Automotive equipment / device which demand high reliability, kindly contact our sales window correspondents.

COUNT	DESCRIPTION OF REVISIONS	BY	CHKD	DATE	COUNT	DESCRIPTION OF REVISIONS	BY	CHKD	DATE

Fig.5 : REEL DIMENSIONS (FREE)

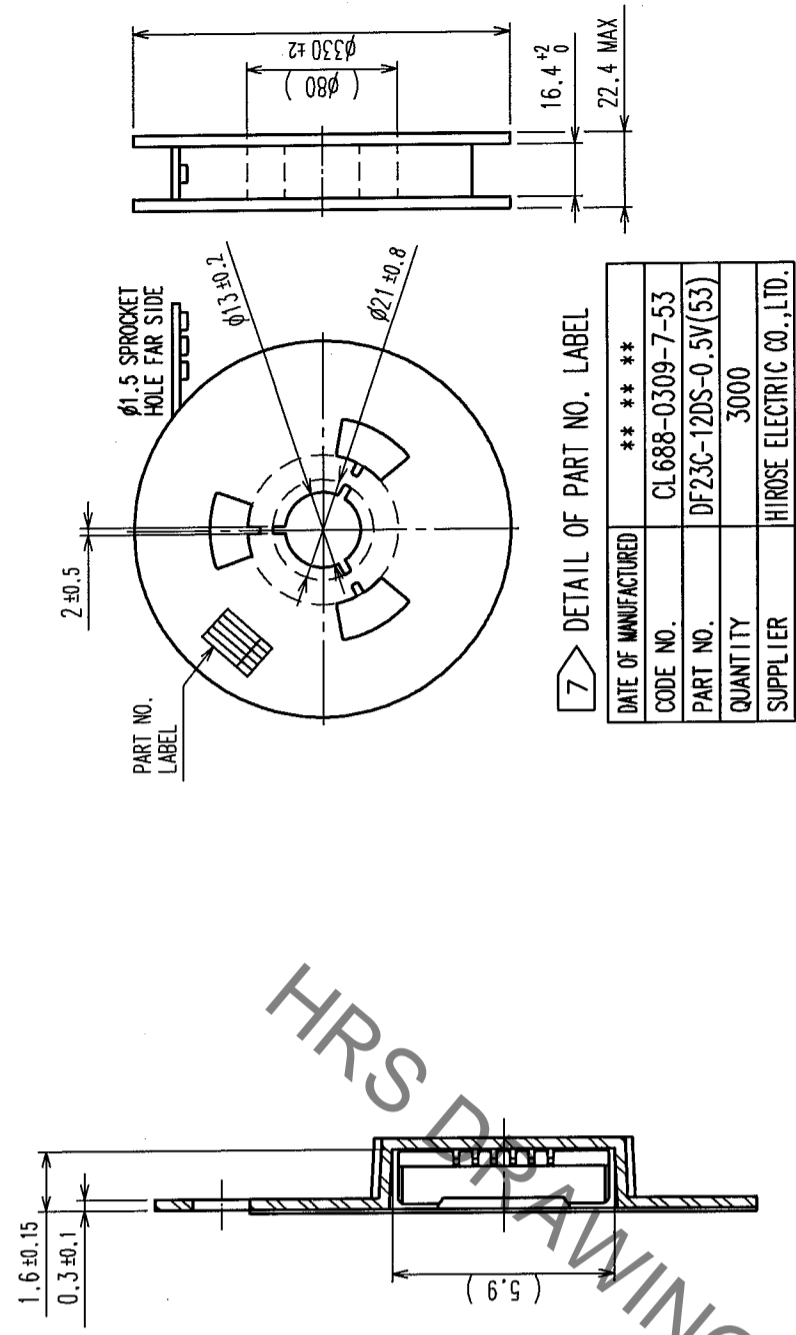
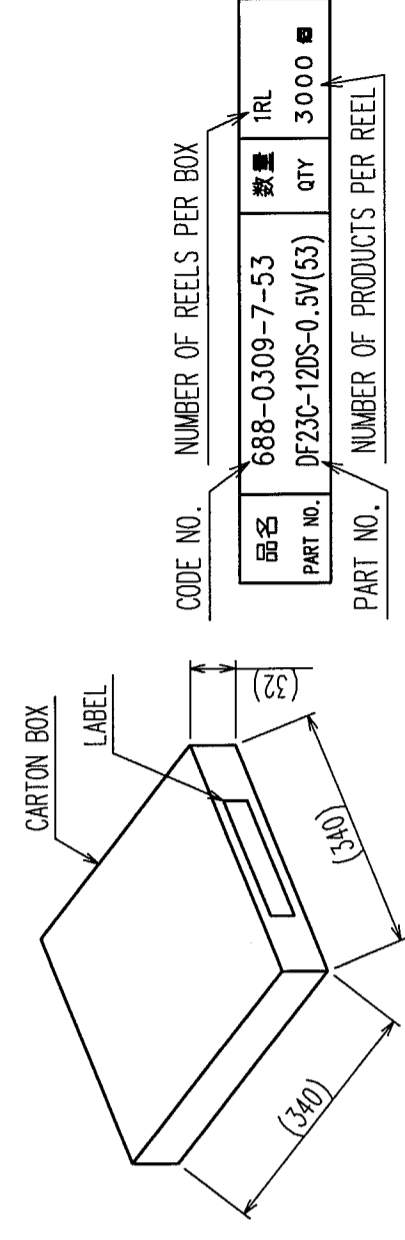


Fig.6 : PACKAGING SPECIFICATION (FREE)



DETAIL OF LABEL

CODE NO. (OLD)	DRAWN	DESIGNED	CHECKED	APPROVED	RELEASED
	M. Nakamoto	T. Yamamoto	T. Sabeuta	T. Sabeuta	
	'04.09.30	'04.9.30	'04.9.30	'04.9.30	

DRAWING NO.	PART NO.
EDC3-302690-02	DF23C-12DS-0.5V(53)

SCALE	UNITS
5 : 1	mm

CODE NO.	CL688-0309-7-53

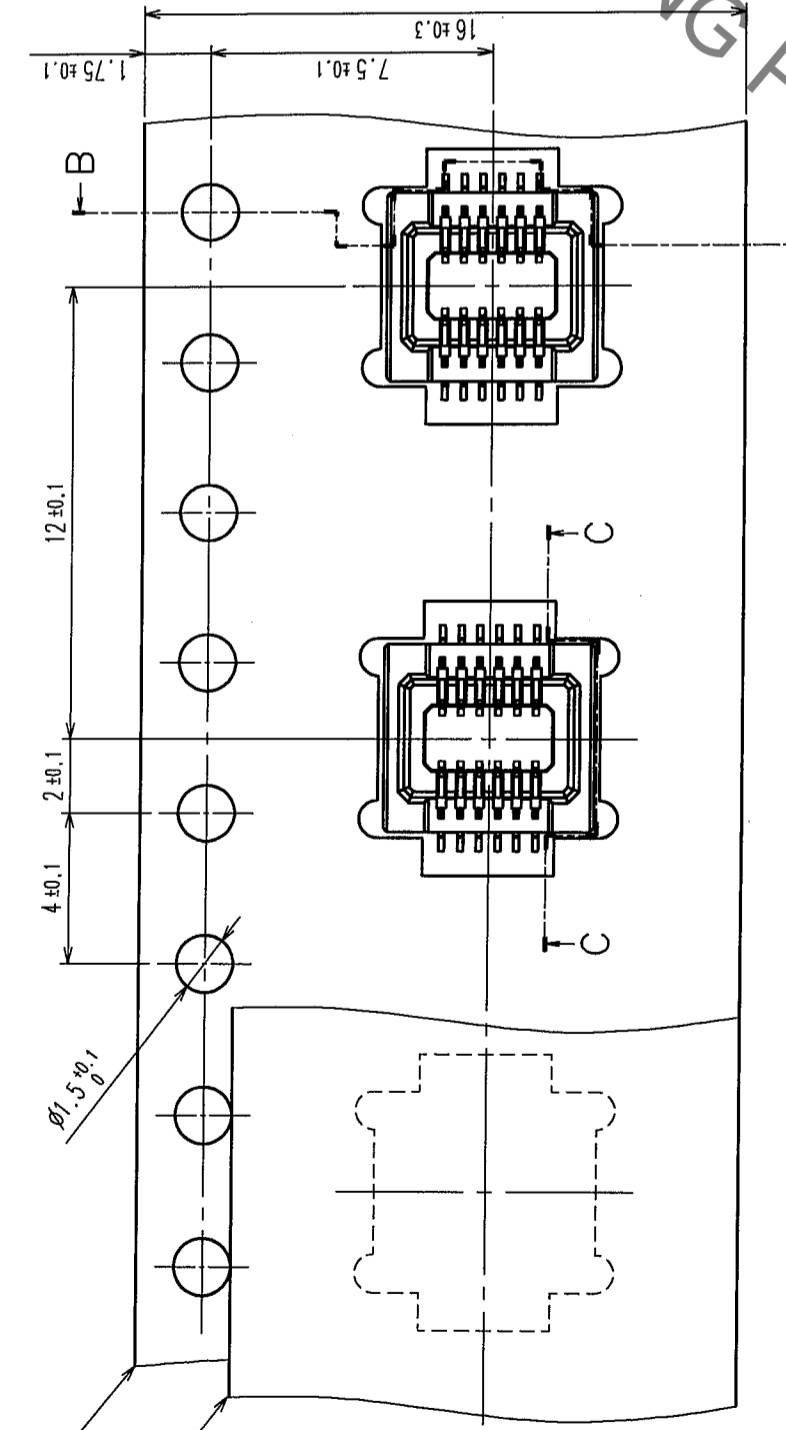


Fig.4 : TAPING

NOTES
 4 PER REEL 3000 CONNECTORS
 5 THE DIMENSIONS IN PARENTHESES ARE FOR REFERENCE
 6 REFER TO JIS C 0806 (PACKAGING OF COMPONENTS FOR AUTOMATIC HANDLING)
 7 DETAIL OF PART NO. LABEL IS WRITTEN IN JAPANESE.

TO

Looking for pricing, stock, or lifecycle information?

Click below to explore more details on WIN SOURCE:

[View DF23C-12DS-0.5V\(53\) on WIN SOURCE](#)

[Hirose Electric Co Ltd Information](#)

Optimize Your Supply Chain with WIN SOURCE Solutions

- ✓ Global Sourcing Solution
- ✓ Obsolete Management
- ✓ Cost Control Management
- ✓ Shortage Management
- ✓ Alternative Solution
- ✓ Excess Inventory Management