

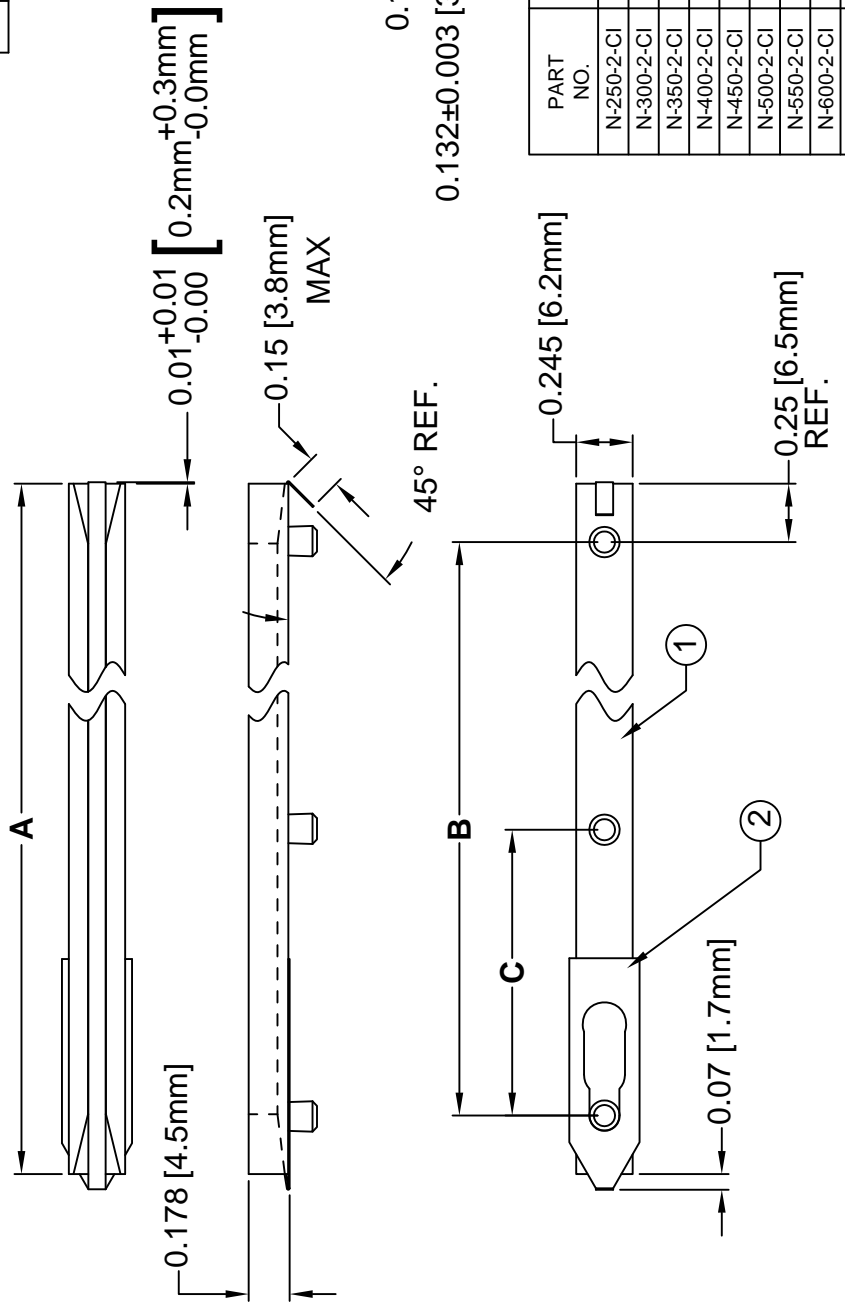


**THE DATASHEET OF
N-450-2-CI**

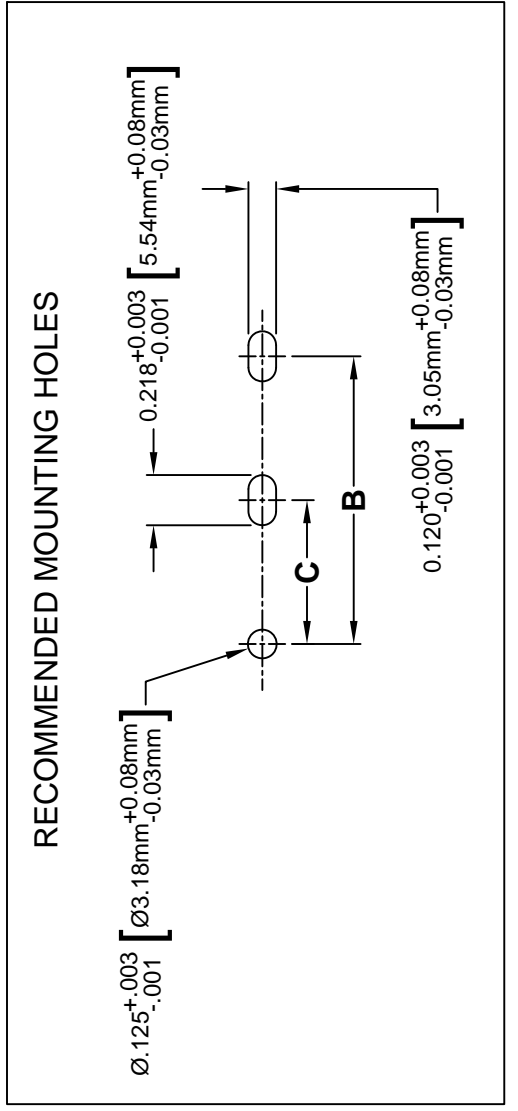


REV.	DESC.
B	Eco#388, Engineering L
C	CI Length (.15" max) Up
D	Engineering Update w/c

ITEM	QTY	PART NUMBER	PART DESCRIPTION
1	1	N-XXX-X	NARROW PRESS-IN CARD GUIDE
2	1	CS-600-F XX.XX	CONDUCTIVE INSERT



PART NO.	CONDUCTIVE INSERT	f
N-250-2-CI	CS-600-F 10.75	±.030
N-300-2-CI	CS-600-F 10.75	2.5 (6)
N-350-2-CI	CS-600-F 10.75	3.0 (7)
N-400-2-CI	CS-600-F 10.75	3.5 (8)
N-450-2-CI	CS-600-F 10.75	4.0 (1)
N-500-2-CI	CS-600-F 10.75	4.5 (1)
N-550-2-CI	CS-600-F 10.75	5.0 (1)
N-600-2-CI	CS-600-F 10.75	5.5 (1)
N-650-2-CI	CS-600-F 10.75	6.0 (1)
N-700-2-CI	CS-600-F 10.75	6.5 (1)
N-700-3-CI	CS-600-F 10.75	7.0 (1)
N-750-2-CI	CS-600-F 10.75	7.0 (1)
N-750-3-CI	CS-600-F 10.75	7.5 (1)
N-800-2-CI	CS-600-F 10.75	8.0 (2)
N-800-3-CI	CS-600-F 10.75	8.0 (2)
N-850-2-CI	CS-600-F 14.00	8.5 (2)
N-850-3-CI	CS-600-F 14.00	8.5 (2)



STANDARD TOLERANCES
 (UNLESS OTHERWISE SPECIFIED)

DECIMALS: .X ±.1
 .XX ±.01
 .XXX ±.005

ANGULAR: X° ± 1

DESIGNED: M. Chen
 CHECKED: D. Green

DATE: 02/06/06
 DATE: 02/06/06

Looking for pricing, stock, or lifecycle information?

Click below to explore more details on WIN SOURCE:

 [View N-450-2-CI on WIN SOURCE](#)

 [Bivar Inc. Information](#)

Optimize Your Supply Chain with WIN SOURCE Solutions

-  Global Sourcing Solution
-  Obsolete Management
-  Cost Control Management
-  Shortage Management
-  Alternative Solution
-  Excess Inventory Management